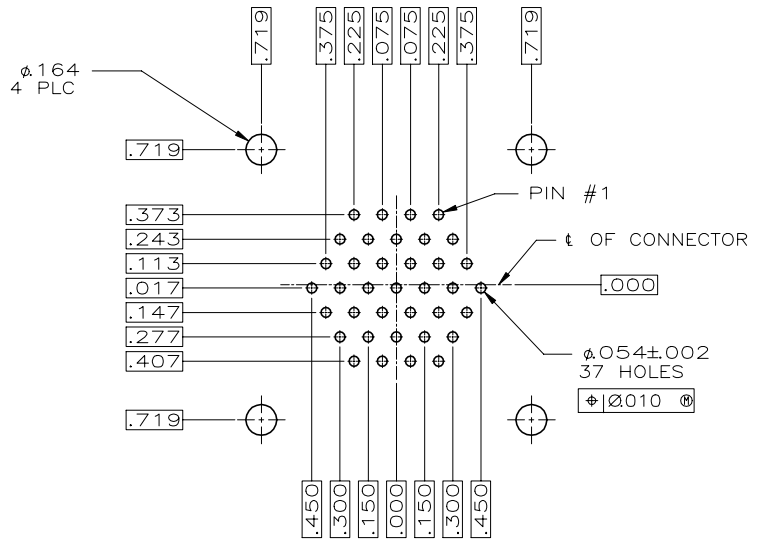
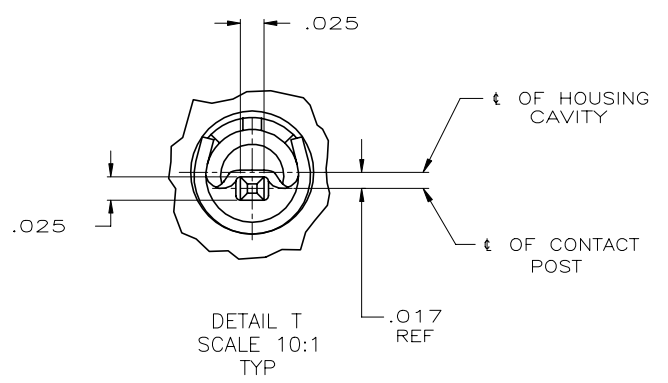
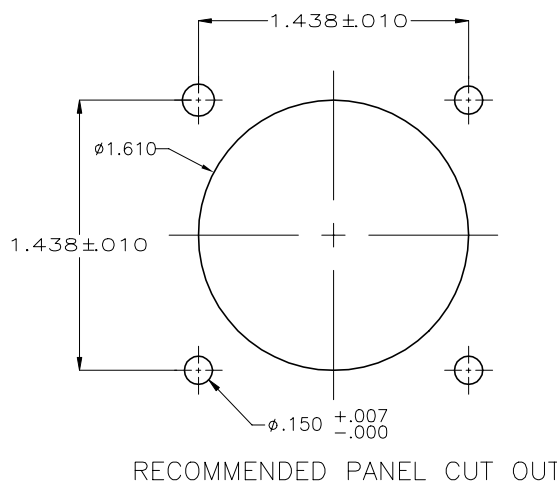
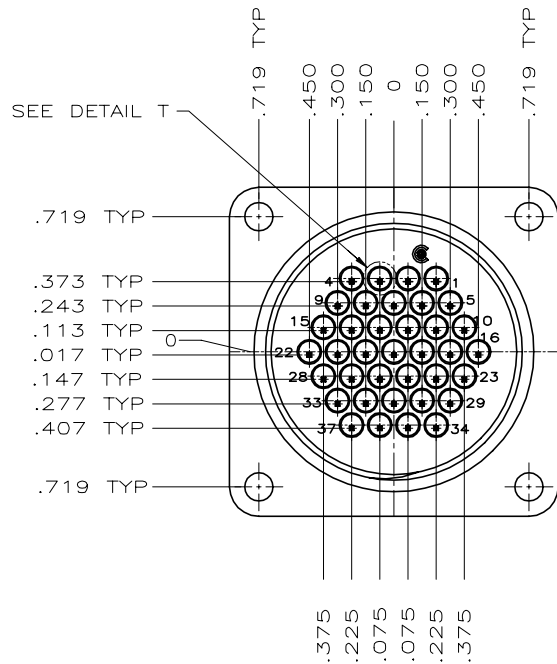
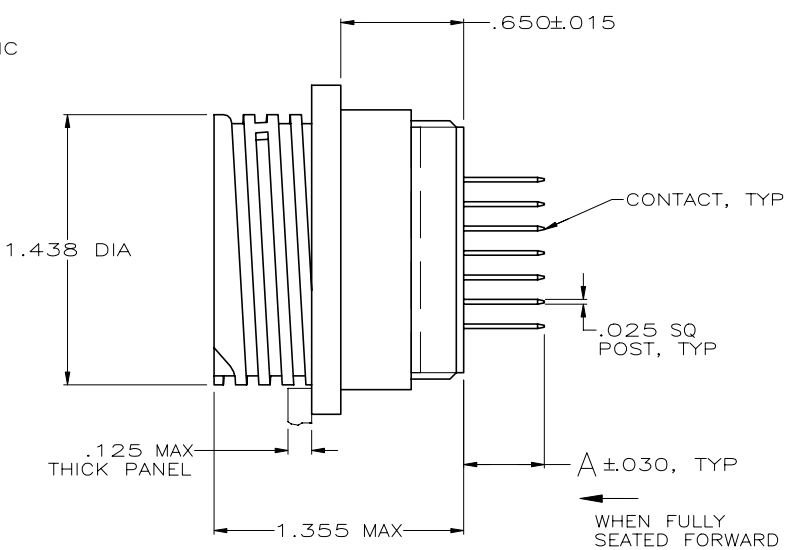
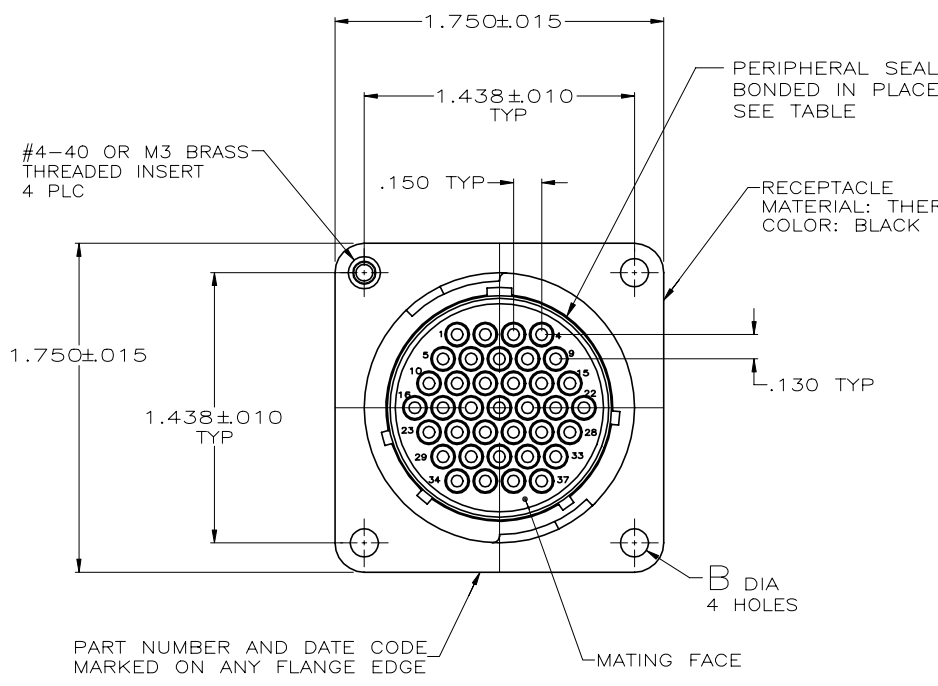


REVISIONS					
#	LTR	DESCRIPTION	DATE	DMN	APPD
AF5		REVISED PER ECO-16-004800	12SEP2016	NK	MZ
AG		REVISED PER ECO-17-004657	05APR2017	RS	MZ
AH		REVISED PER ECO-19-014836	23OCT2019	RS	MZ
AJ		REVISED PER ECO-20-011431	28AUG2020	SG	MZ



- CONNECTOR WILL ACCEPT POSTED TYPE III+ PIN CONTACTS.
- CONTACT BODY: SELECT GOLD OVER NICKEL.
CONTACT POST: TIN-LEAD PER MIL-T-10727 OVER COPPER PER MIL-C-14550A.
- RECOMMENDED PC BOARD HOLE SIZE FOR CONTACT POST: 1.02±0.08[.040±.003] DIA.
- CONTACT BODY: SELECT GOLD OVER NICKEL.
CONTACT POST: TIN OVER NICKEL.
- POSITIONS LOADED WITH CONTACTS: 1-4, 10-17, 19-22, 24, 25, 29, 30, 32, 33.
- POSITIONS LOADED WITH CONTACTS: 1-20, 22-28, 30-37.
- OBSOLETE PARTS: OBSOLETE CIS STREAMLINING PER D.RENAUD/D.SINISI.
- CONTACT BODY: TIN OVER NICKEL.
CONTACT POST: TIN OVER NICKEL.
- CONTACT BODY: SELECT GOLD OVER NICKEL.
CONTACT POST: TIN/LEAD OVER NICKEL.
- CONTACT BODY: TIN/LEAD OVER NICKEL.
CONTACT POST: TIN/LEAD OVER NICKEL.

REV	DESCRIPTION	DATE	DMN	APPD	REV	DESCRIPTION	DATE	DMN	APPD
1	NO	YES	NO	—	.220	3-206934-0			
2	OBSOLETE	NO	YES	YES	—	.170	2-206934-9		
3	OBSOLETE	NO	YES	NO	—	.413	2-206934-8		
4	PRELIMINARY	NO	YES	NO	—	.257	2-206934-7		
5	OBSOLETE	NO	YES	YES	—	.119	2-206934-6		
6	OBSOLETE	NO	NO	NO	.150±.003	.240	2-206934-5		
7	OBSOLETE	NO	NO	NO	.150±.003	.220	2-206934-3		
8	OBSOLETE	NO	NO	YES	.150±.003	.119	2-206934-2		
9	OBSOLETE	NO	YES	YES	—	.618	2-206934-0		
10	OBSOLETE	NO	NO	NO	.150±.003	.618	1-206934-9		
11	OBSOLETE	NO	NO	NO	.150±.003	.429	1-206934-8		
12	OBSOLETE	NO	YES	YES	—	.119	1-206934-7		
13	OBSOLETE	NO	NO	YES	.150±.003	.429	1-206934-5		
14	OBSOLETE	NO	YES	NO	—	.618	1-206934-4		
15	OBSOLETE	NO	YES	NO	—	.220	1-206934-3		
16	OBSOLETE	NO	NO	NO	.150±.003	.429	1-206934-2		
17	OBSOLETE	NO	NO	NO	.150±.003	.220	1-206934-1		
18	OBSOLETE	YES	NO	YES	—	.119	1-206934-0		
19	OBSOLETE	YES	YES	YES	—	.119	206934-9		
20	OBSOLETE	NO	NO	NO	.150±.003	.618	206934-7		
21	OBSOLETE	NO	NO	NO	.150±.003	.429	206934-6		
22	OBSOLETE	NO	NO	NO	.150±.003	.119	206934-5		
23	OBSOLETE	NO	YES	NO	—	.220	206934-4		
24	OBSOLETE	NO	NO	NO	.158±.001	.618	206934-3		
25	OBSOLETE	NO	NO	NO	.158±.001	.429	206934-2		
26	OBSOLETE	NO	NO	NO	.150±.003	.220	206934-1		
27	CONTACT FINISH	M3 INSERTS	4-40 INSERTS	PERIPHERAL SEAL	B	A	PART NUMBER		

THIS DRAWING IS A CONTROLLED DOCUMENT. DMN: J.GALLUCCI 5-30-91
CHK: W.G.LENKER 4-14-92
APPD: K.BEAVER 4-14-92

TE Connectivity
RECEPTACLE ASSEMBLY, POSTED, STD SEX, SERIES 1, 23-37, CPC

108-10024
APPLICATION SPEC

SIZE: A1 00779 DRAWING NO: 206934
SCALE: 2:1 SHEET 1 OF 1 REV: AJ

X-ON Electronics

Largest Supplier of Electrical and Electronic Components

Click to view similar products for [Standard Circular Connector](#) category:

Click to view products by [TE Connectivity](#) manufacturer:

Other Similar products are found below :

[5M2530B10P](#) [600259N006](#) [600273N007](#) [6134-336-13149](#) [6134-337-11149](#) [6134-337-2390](#) [6134-341-17149](#) [6280-4SG-516](#) [6280-7SG-3DC](#)
[6290](#) [6291A](#) [66200A-10](#) [680-SMG](#) [681-PMG](#) [CXS3102A14S2P](#) [CXS3102A181S](#) [7271-6SG-300](#) [7282-3PG-300-CH3](#) [75-474014-05S](#) [75-](#)
[474618-01S](#) [75-474618-04P](#) [75-474618-04S](#) [799539-000](#) [MI8-SE](#) [805-005-07NF11-19PC](#) [805-005-07NF15-7PA](#) [8280-4PG-516](#) [8280-7PG-](#)
[519](#) [8282-5PG-519](#) [836783-1](#) [MP-4102-25P-C](#) [862256-1](#) [864019-2](#) [866857-1](#) [867865-1](#) [PT01SP-14-18P](#) [PT08P-14-5S](#) [120-1833-000](#)
[QCM019PC2DC012B](#) [1-2069279-1](#) [121583-0217](#) [121667-0020](#) [129591AU](#) [1000B BULK](#) [RD10A16-19-P6CS051/1](#) [RD10A20-31-](#)
[P8CS051/1](#) [RD16A14-12-S6CS051/2](#) [1301240290](#) [1301240347](#) [1301860202](#) [1301240268](#)