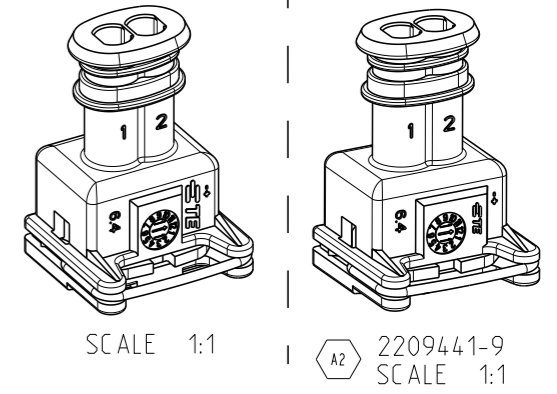
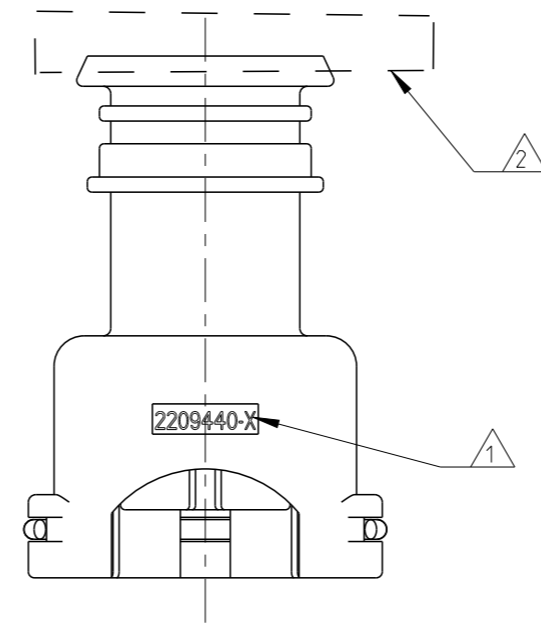
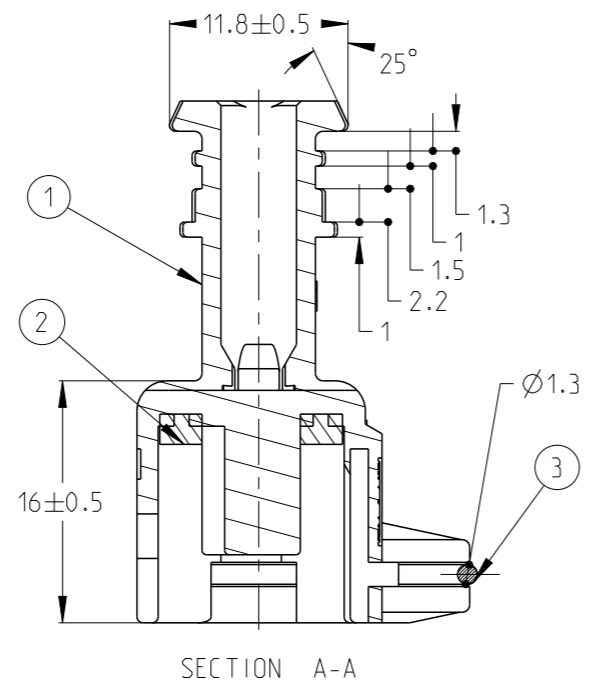
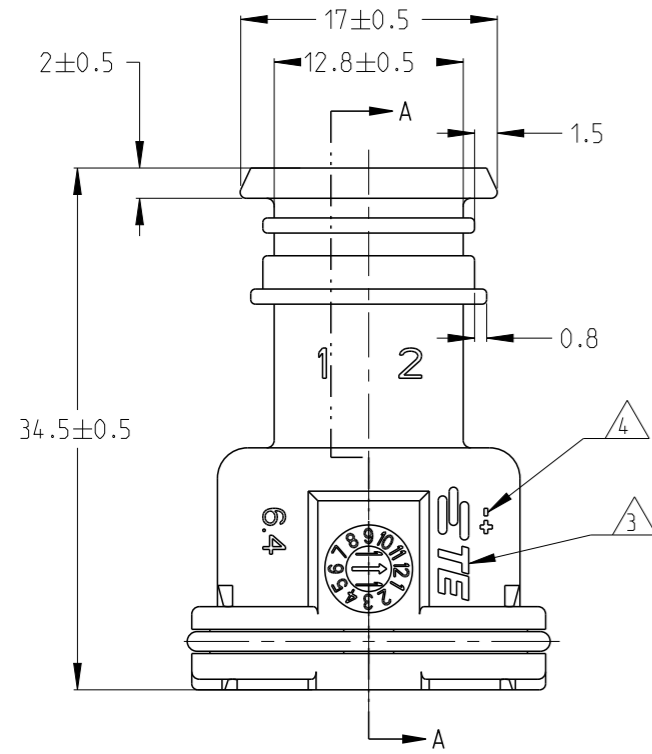
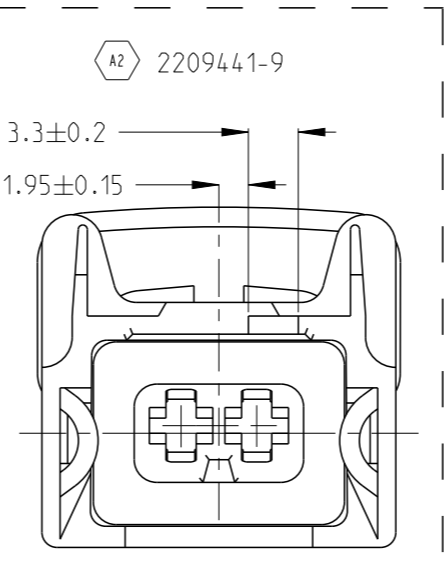
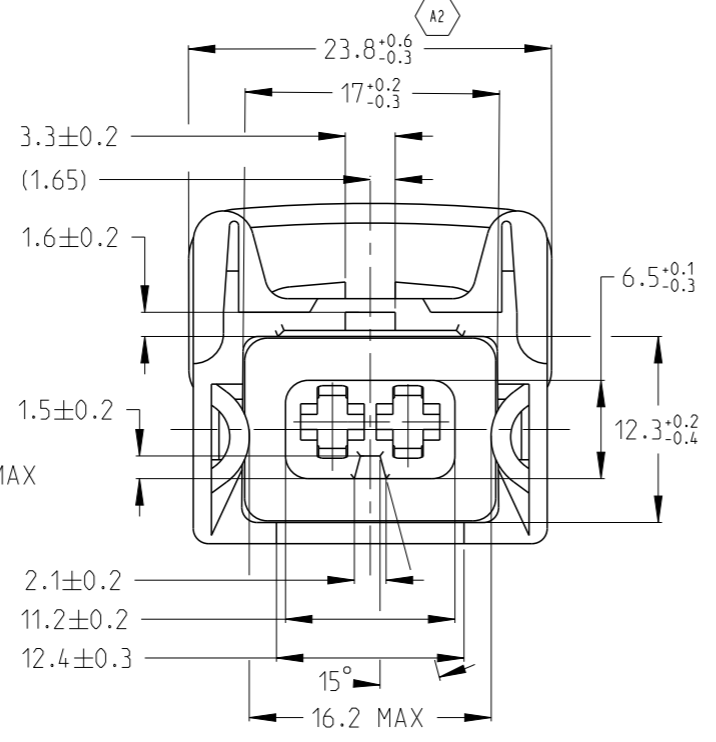
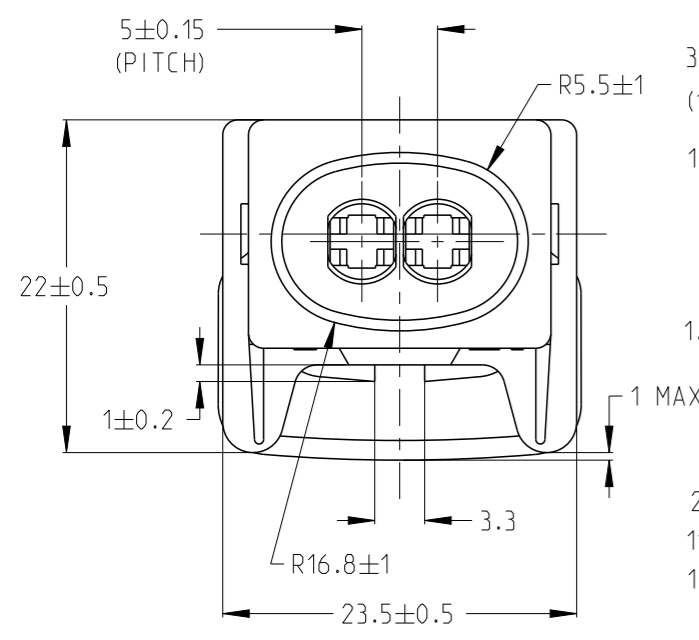


LOC ES DIST 00

REVISIONS					
P	LTR	DESCRIPTION	DATE	DWN	APVD
	A	RELEASED	23JAN13	C. C	I. Y
	A1	REVISED ECR-13-019157	17DEC13	C. C	I. Y
	A2	REVISED ECR-14-005732	29AUG14	C. C	I. Y
	B	REVISED ECR-15-006618	02JUL2015	C. C	SY.W



- NOTES:
- 6 DIFFERS FROM 2209441-1 ONLY FOR PACKING DETAILS
 - 7) APPLICABLE TERMINAL 929939-X OR 929937-X; SINGLE WIRE SEAL 828904-1, 828905-1, 282536-1; CAVITY PLUG 828906-2
 - 8) INTERFACE DRAWING SEE DRAWING C-282189 PAGE2, 2209441-9 DIFFERENCE SHOULD REFER TO THIS PAGE



ITEM	1	1	1	1	1	1	1	1	1	DESCRIPTION
										SPRING
										SEALING
										2P, HSG, BLACK (TYPE A)
										2P HSG, RED (TYPE A)
										2P, HSG, ORANGE (TYPE A)
										2P HSG, BROWN (TYPE A)
										2P HSG, BLUE (TYPE A)
										2P HSG, GREEN (TYPE A)
										2P, HSG, LIGHT GREY (TYPE A)
										2P HSG, SQUIRREL GREY (TYPE A)
										2P HSG, BLACK (TYPE A)
										DESCRIPTION

TABLE 2
DIFFERENCE BETWEEN 2209441 AND 282189

ITEMS	2209441	282189
HSG PN	2209440-X 1 (-X FOLLOW TABLE 1)	282257-X
STRUCTURE	2 NO CLAW AND CLIPS	WITH CLAW AND CLIPS
TE LOGO	3 TE LOGO	TYCO OR AMP LOGO
LOCATION CODE	4 - +	○○○
HSG MATERIAL	5) PBT GF30	PA66 GF7%

THIS DRAWING IS A CONTROLLED DOCUMENT.

DIMENSIONS: mm

TOLERANCES UNLESS OTHERWISE SPECIFIED:

0 PLC ±
1 PLC ±0.3
2 PLC ±
3 PLC ±
4 PLC ±
ANGLES ±2°
FINISH

MATERIAL

DWN C. Chen 22JAN2013
 CHK J. Chang 23JAN2013
 APVD L. Yin 23JAN2013
 PRODUCT SPEC 108-20091
 APPLICATION SPEC
 WEIGHT
 CUSTOMER DRAWING

TE TE Connectivity

NAME 2WAYS SPLASH PROOF CONNECTOR HOUSING ASSY

SIZE A3 CAGE CODE 00779 DRAWING NO C-2209441 RESTRICTED TO -

SCALE 2:1 SHEET 1 OF 1 REV B

X-ON Electronics

Largest Supplier of Electrical and Electronic Components

Click to view similar products for [Automotive Connectors](#) category:

Click to view products by [TE Connectivity](#) manufacturer:

Other Similar products are found below :

[003-018-000](#) [60993906-B](#) [72.330.1035.1](#) [F358300-B](#) [F407400](#) [776880-1](#) [827153-1](#) [8N1515-32-24P](#) [9-1326729-8](#) [925474-1](#) [928905-1](#)
[964562-4](#) [968782-1](#) [98891-1012](#) [12004475-L](#) [12041318-B](#) [12052466](#) [12015909](#) [1-21030-1](#) [12041318](#) [12047957](#) [12185550](#) [12336-12](#)
[12147304](#) [1-326211-1](#) [13681974](#) [13783086](#) [13832576](#) [13542772](#) [13675513](#) [1428188-1](#) [1437287-3](#) [1428188-2](#) [DS07-19S-5020](#) [1456983-5](#)
[1456987-7](#) [APD-7CP-H](#) [APK-SB25A10L](#) [1452931-2](#) [15336198](#) [15491972](#) [15305306](#) [15396680](#) [15425613](#) [15518544](#) [15522351](#) [1719636-1](#)
[172190-2](#) [172190-5](#) [192900-0402](#)