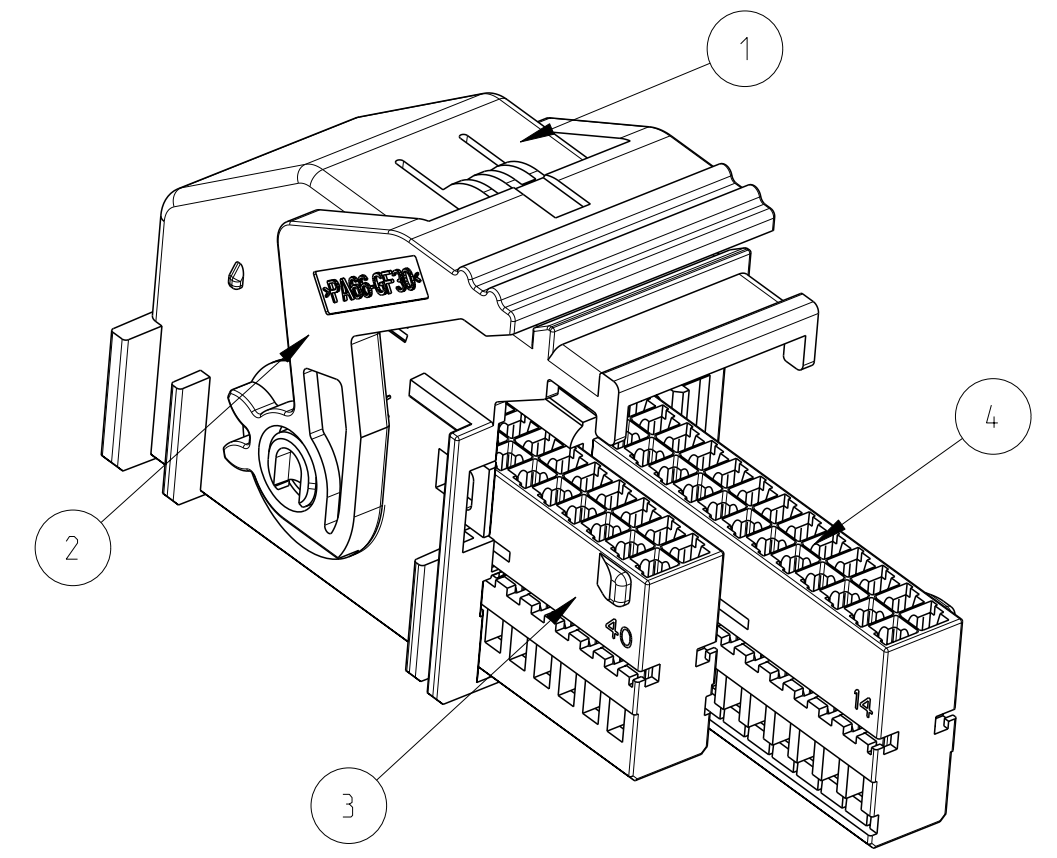
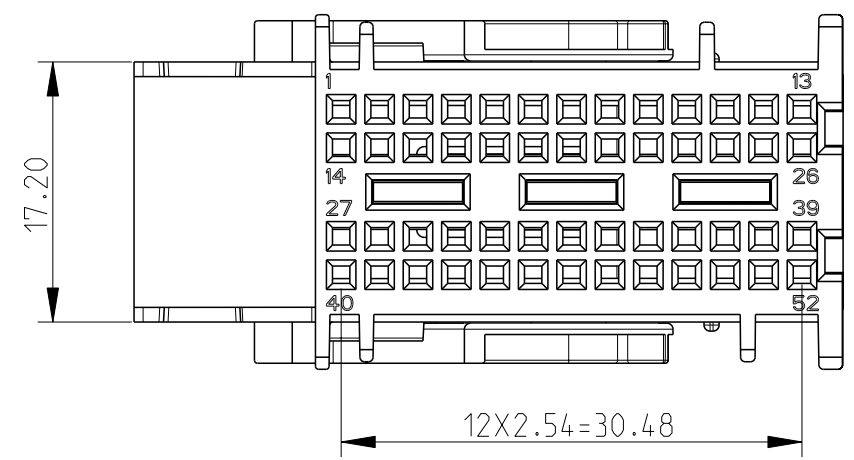
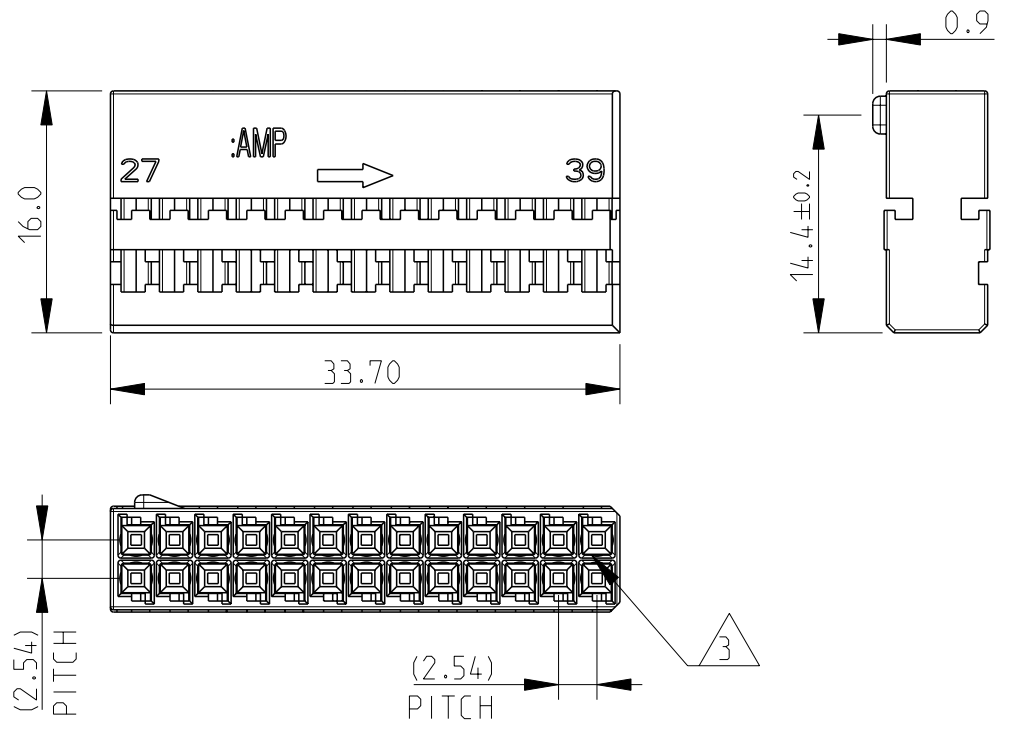


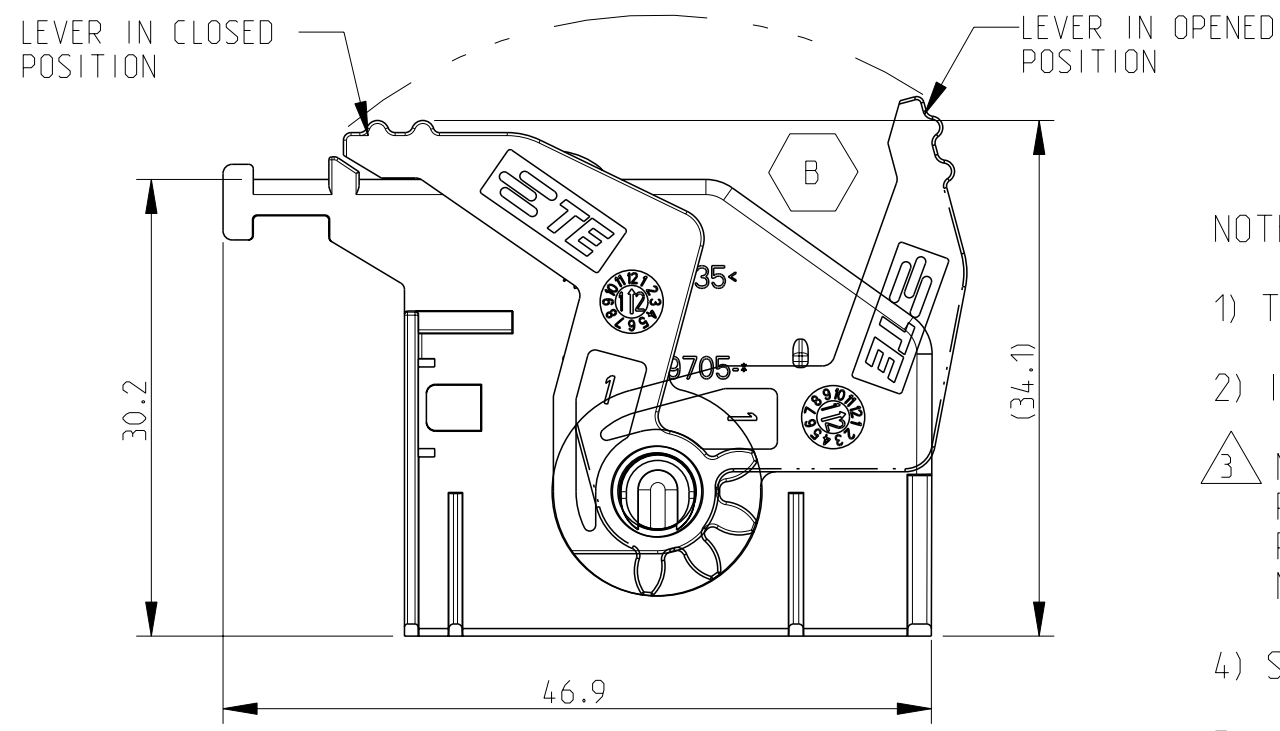
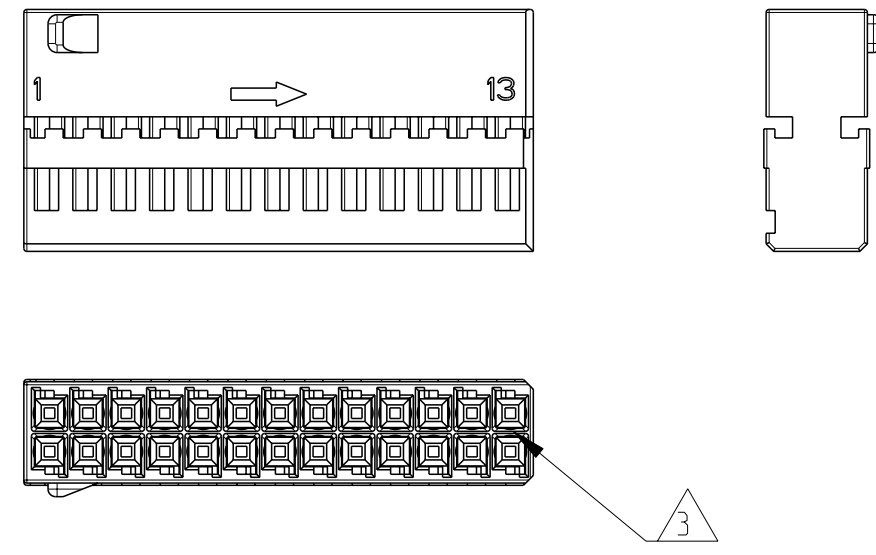
REVISIONS					
P	LTR	DESCRIPTION	DATE	DWN	APVD
A3		SHEET2 ADDED	15OCT2020	T.D	I.Y
B		ECR-20-015711	05NOV2020	J.L	J.Z
B1		ECR-20-016644	18NOV2020	S.C	J.Z
B2		ECR-21-003344	16MAR2021	Z.W	J.Z

DIMENSION FOR LEFT SIDE HOUSING  
 COLOR BLACK-POS. 27-52 - ITEM 3

P/N 2209477-1 AS SHOWN



DIMENSION FOR RIGHT SIDE HOUSING  
 COLOR GREY-POS. 1-26 - ITEM 4



NOTES

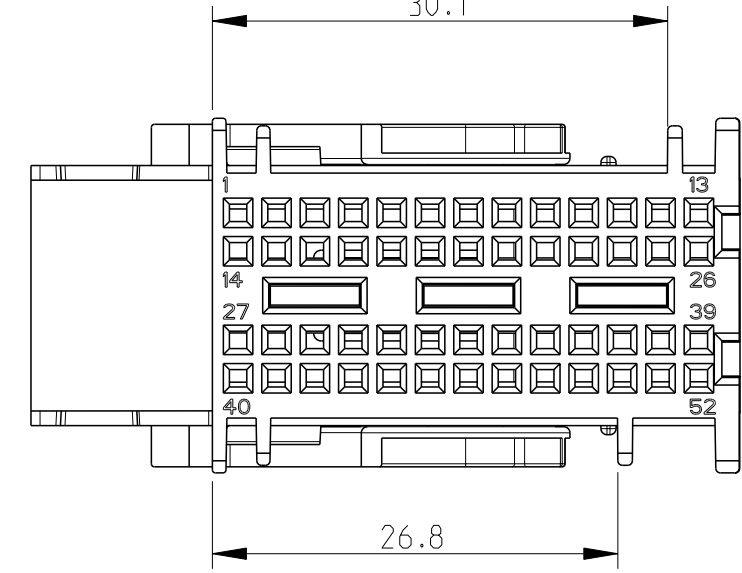
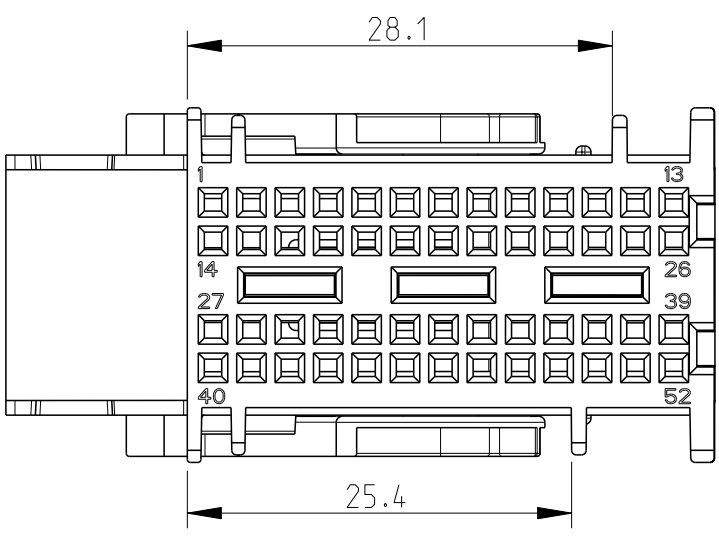
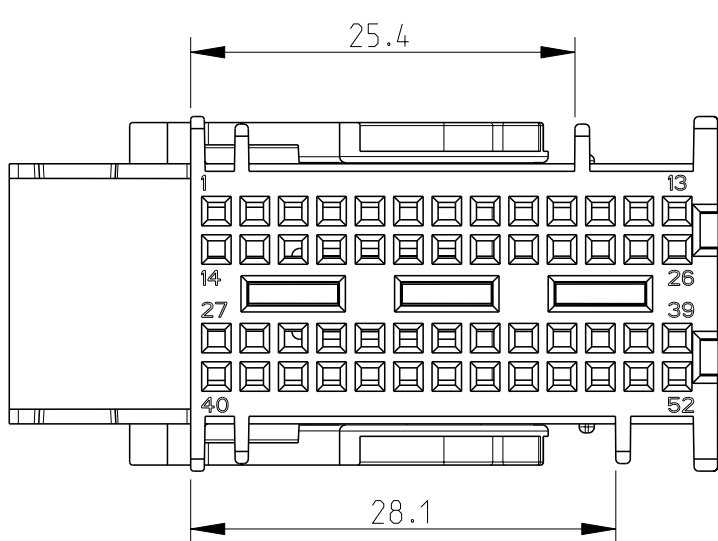
- 1) THE PRODUCT IS SUPPLIED WITH LEVER IN CLOSED POSITION
- 2) INTERFACE DRAWING SEE THE CUSTOMER DRAWING OF 284972
- 3) NUMBER 26+26 CAVITIES SUITABLE FOR MICRO QUADLOCK SYSTEM FEMALE CONTACTS  
 P.N. 928999-1 WIRE RANGE 0.25-0.35 mm<sup>2</sup>, INSULATOR RANGE Ø1.15-1.6  
 P.N. 963715-1 WIRE RANGE 0.50-0.75 mm<sup>2</sup>, INSULATOR RANGE Ø1.7-1.9, FOR SELECTION  
 MAXIMUM 25% OF ALL CONTACTS
- 4) SUITABLE MQS SOCKET HOUSING P.N. 1-968326-1 26POS. AND 2-968326-1 26POS.
- 5) ITEM 1 AND 2 ASSEMBLY TOGETHER, ASSEMBLY PART AND ITEM 3,4 ARE SUPPLIED  
 IN KIT WITH EQUIVALENT QUANTITY IN A BOX

FOR MISSING DIMENSIONS SEE LEFT SIDE HOUSING DRAWING

MECHANICAL CODING DIMENSIONS  
 P.N. 2209477-1, COLOR - BLACK

MECHANICAL CODING DIMENSIONS  
 P.N. 2209477-2, COLOR - BLUE

**B1** MECHANICAL CODING DIMENSIONS  
 P.N. 2209477-3, COLOR - GREY



**B1** PART LIST

QTY.	DESCRIPTION	QTY.	ITEM NO.
1	GERY SOCKET HSG	1	4
1	BLACK SOCKET HSG	1	3
1	RED LEVER	1	2
1	GREY COVER	1	1
1	BLUE COVER	1	1
1	BLACK COVER	1	1
2209477-3	2209477-2	2209477-1	COLOR DESCRIPTION QTY. ITEM NO.

THIS DRAWING IS A CONTROLLED DOCUMENT.

DWN	T.DONG	07MAR2013
CHK	A.DANG	07MAR2013
APVD	I.YIN	11MAR2013

TE ASS'Y NO. \_\_\_\_\_

**STE** TE Connectivity

NAME: KIT ASS'Y FOR 52POS. MQS FEMALE CONNECTOR

SIZE	CAGE CODE	DRAWING NO	RESTRICTED TO
A2	00779	C=2209477	-

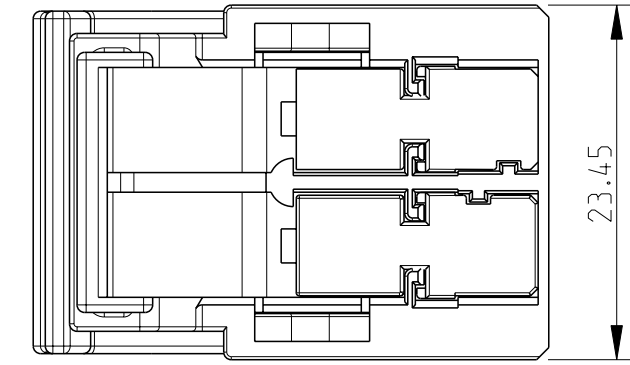
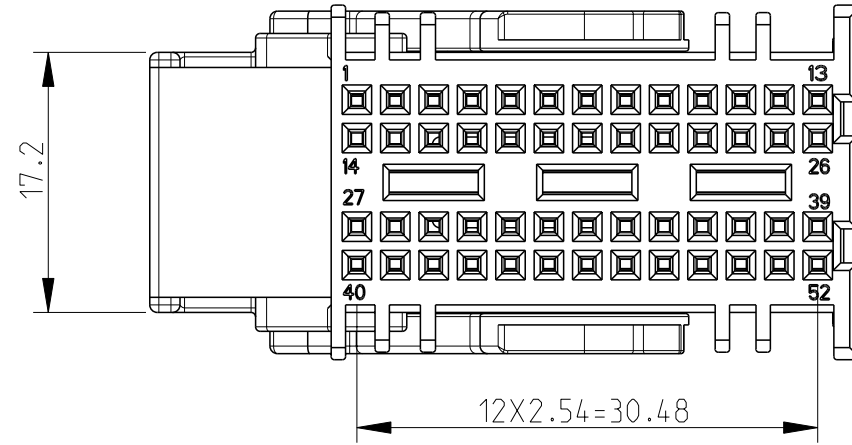
MATERIAL: SEE TABLE  
 DIMENSIONS: mm  
 TOLERANCES UNLESS OTHERWISE SPECIFIED:  
 0 PLC ±  
 1 PLC ±0.5  
 2 PLC ±0.3  
 3 PLC ±  
 4 PLC ±  
 ANGLES ±  
 FINISH ±

CUSTOMER DRAWING SCALE: 1:1 SHEET 1 OF 2 REV: B2

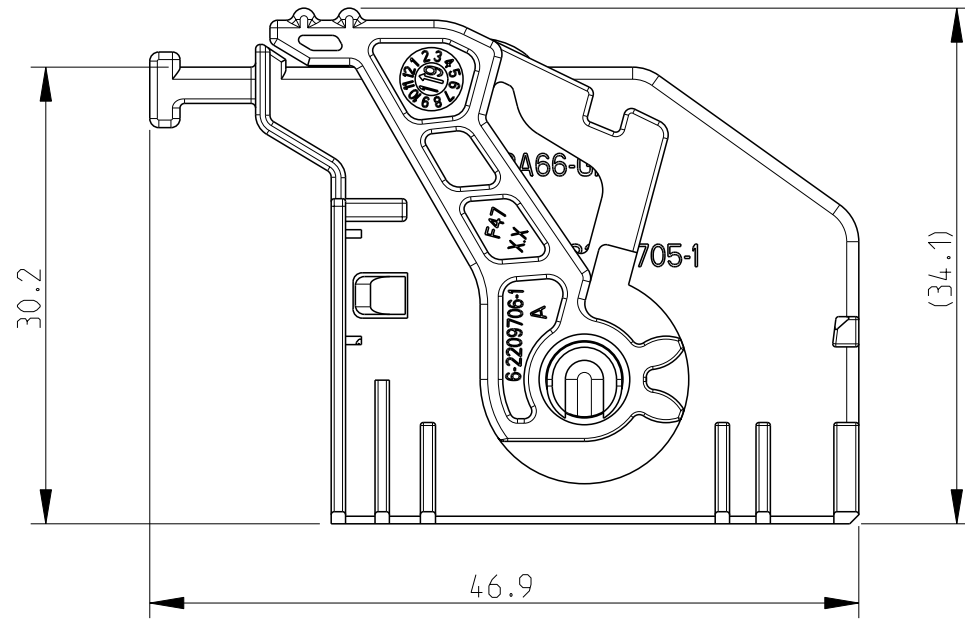
Printed on 18 Mar 2021 13:31 (China Standard Time) from TE2095233

REVISIONS				
P	LTR	DESCRIPTION	DATE	APVD
		SEE SHEET 1		

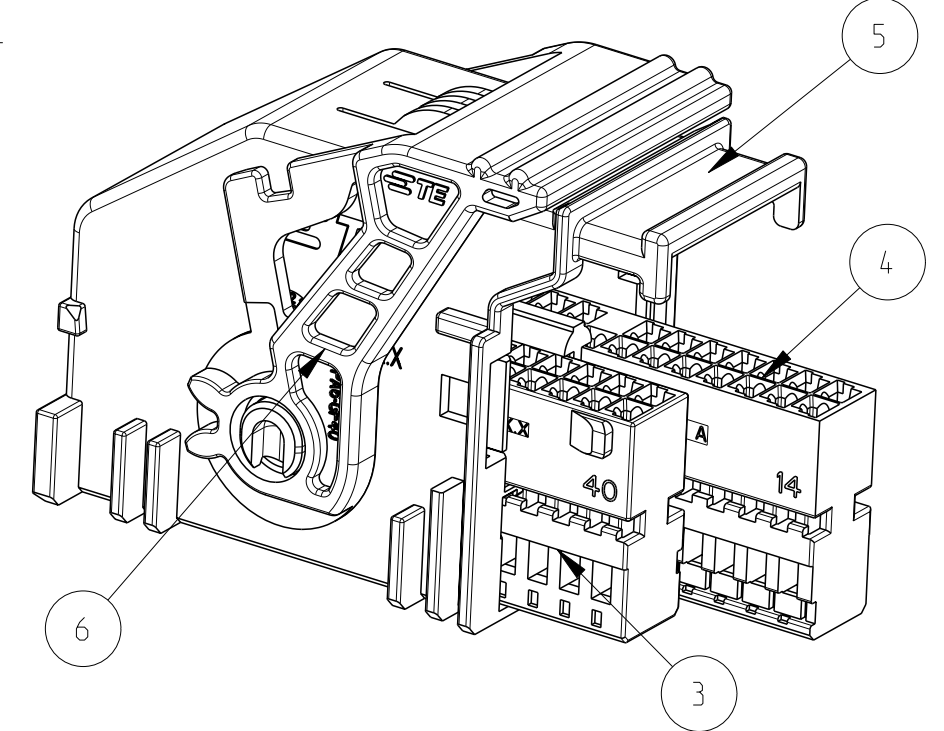
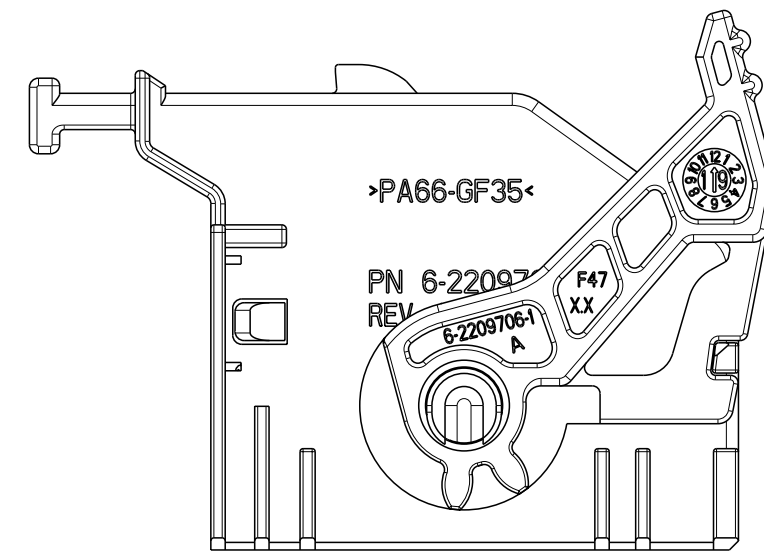
P/N	CODING INFORMATION
6-2209477-1	
6-2209477-2	
6-2209477-3	
6-2209477-4	



▲ LEVER IN CLOSED POSITION



LEVER IN OPENED POSITION



NOTES

- ▲ THE PRODUCT IS SUPPLIED WITH LEVER IN CLOSED POSITION
- 2) THE PRODUCT IS SUITABLE FOR MATING WITH INTERFACE 114-160058:
- ▲ NUMBER 26+26 CAVITIES SUITABLE FOR MICRO QUADLOCK SYSTEM FEMALE CONTACTS  
 P.N. 928999 WIRE RANGE 0.25-0.35 mm<sup>2</sup>, INSULATOR RANGE Ø1.15-1.6  
 P.N. 963715 WIRE RANGE 0.50-0.75 mm<sup>2</sup>, INSULATOR RANGE Ø1.7-1.9, FOR SELECTION  
 MAXIMUM 25% OF ALL CONTACTS. REFER TO SHEET 1
- 4) SUITABLE MQS SOCKET HOUSING P.N. 1-968326-1 26POS. AND 2-968326-1 26POS.  
 REFER TO SHEET 1
- 5) ITEM 5 AND 6 ASSEMBLY TOGETHER, ASSEMBLY PART AND ITEM 3,4 ARE SUPPLIED  
 IN KIT WITH EQUIVALENT QUANTITY IN A BOX

X	1	1	1	1	GERY	SOCKET HSG	1	4
	1	1	1	1	BLACK	SOCKET HSG	1	3
	1	1	1	1	RED	LEVER	1	6
	1	1	1	1	GREEN	COVER	1	5
	1	1	1	1	GREY		1	
1	1	1	1	BLUE	1			
6-2209477-4	6-2209477-3	6-2209477-2	6-2209477-1	1	BLACK		1	
				TE ASS'Y NO.	COLOR	DESCRIPTION	QTY.	ITEM NO.

THIS DRAWING IS A CONTROLLED DOCUMENT.		DWN T.DONG 15OCT2020	<b>STE</b> TE Connectivity	
		CHK J.ZONG 15OCT2020		
DIMENSIONS: mm	TOLERANCES UNLESS OTHERWISE SPECIFIED:	APVD -	NAME KIT ASS'Y FOR 52POS. MQS FEMALE CONNECTOR	
	0 PLC ±	PRODUCT SPEC -	SIZE CAGE CODE DRAWING NO RESTRICTED TO	
	1 PLC ±0.5	APPLICATION SPEC -	A200779 C=2209477	
	2 PLC ±0.3	WEIGHT -	SCALE 1:1 SHEET 2 OF 2 REV B2	
	3 PLC ±	CUSTOMER DRAWING		
	4 PLC ±			
MATERIAL -	FINISH -			
SEE TABLE	SEE TABLE			

Printed on 18 Mar 2021 13:31 (China Standard Time) from TE205233

## X-ON Electronics

Largest Supplier of Electrical and Electronic Components

*Click to view similar products for [Automotive Connectors](#) category:*

*Click to view products by [TE Connectivity](#) manufacturer:*

Other Similar products are found below :

[003-018-000](#) [60993906-B](#) [72.330.1035.1](#) [F358300-B](#) [F407400](#) [776880-1](#) [827153-1](#) [8N1515-32-24P](#) [9-1326729-8](#) [925474-1](#) [928905-1](#)  
[964562-4](#) [968782-1](#) [98891-1012](#) [12004475-L](#) [12041318-B](#) [12052466](#) [12015909](#) [1-21030-1](#) [12041318](#) [12047957](#) [12185550](#) [12336-12](#)  
[12147304](#) [1-326211-1](#) [13681974](#) [13783086](#) [13832576](#) [13542772](#) [13675513](#) [1428188-1](#) [1437287-3](#) [1428188-2](#) [DS07-19S-5020](#) [1456983-5](#)  
[1456987-7](#) [APD-7CP-H](#) [APK-SB25A10L](#) [1452931-2](#) [15336198](#) [15491972](#) [15305306](#) [15396680](#) [15425613](#) [15518544](#) [15522351](#) [1719636-1](#)  
[172190-2](#) [172190-5](#) [192900-0402](#)