

SCALE 1:1

NOTES:

SCALE 1:1

1. SUITABLE CONTACTS SEE BELOW DRAWINGS:

MQS 0.63mm(CLEAN BODY): 968220, 968221, 1534116, 1703282.
 SUITABLE WIRE SIZE FROM 0.35mm² TO 0.75mm²,
 INSULATION OUTER DIAMETER RANGE FROM 1.2 TO 1.9mm.
 MQS 1.5mm(CLEAN BODY): 1241608
 SUITABLE WIRE SIZE FROM 0.75mm² TO 1.5mm²,
 SUITABLE WIRE INSULATION OUTER DIAMETER RANGE FROM 1.4 TO 2.4mm.

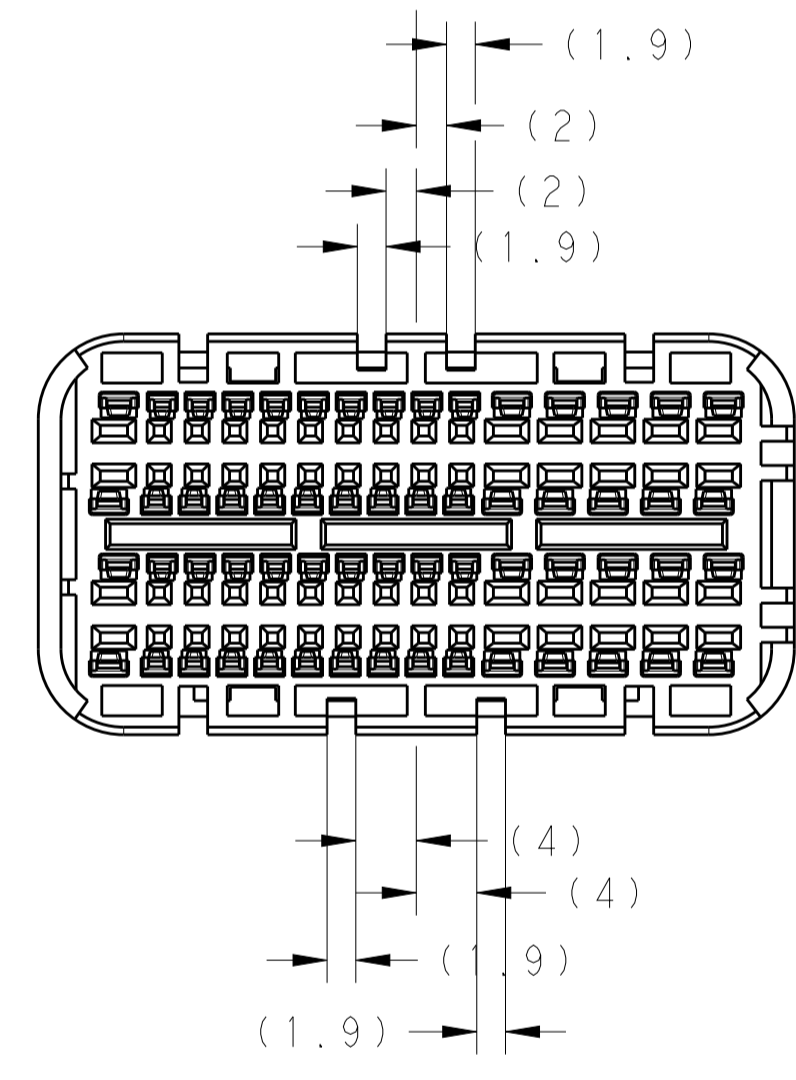
2. SEALING PLUG P/N: 1394871-1(0.63mm), 1394872-1(1.5mm)

3. SUITABLE RETAINER P/N: 6-1355118-1.

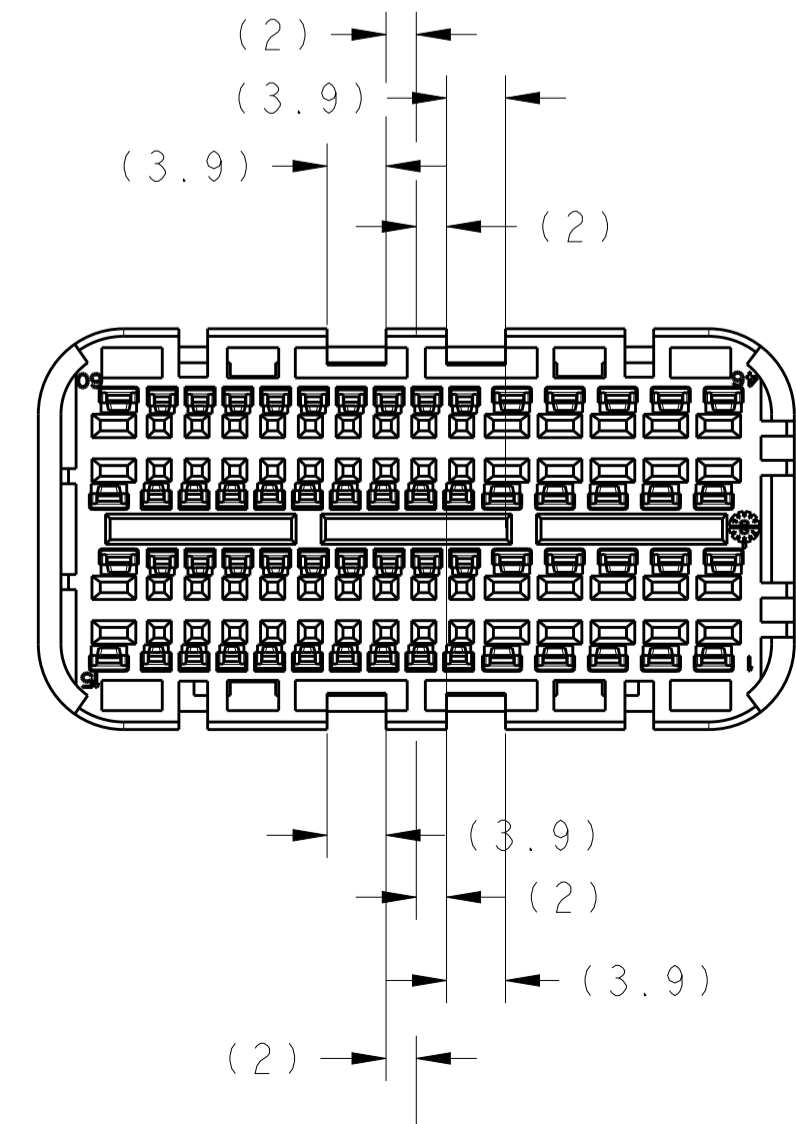
B4 4. SUITABLE COVER P/N: 2137753-1/2, 6-1394908-1(7-1394908-3), 2300725-1

5. 0/1-2209544-1/9 CAN MATING WITH LEVER 2137752-1/6;
 1/3-2209544-1/9 CAN MATING WITH LEVER 2305001-1/6;

CODINGS FOR
 0/1-2209544-1
 2/3-2209544-1



CODINGS FOR
 0/1-2209544-9
 2/3-2209544-9



| QTY | QTY | QTY | QTY | QTY | QTY | QTY | QTY | MATERIAL | COLOUR | DESCRIPTION | ITEM | |
|-------------------------------|-------------|--------------------|-------------|-------------------------------|-------------|--------------------|-------------|-----------------|---------------|-------------------------------|-------------|---|
| 1 | 1 | 1 | 1 | 1 | 1 | 1 | 1 | PBT GF | BLACK | SEALING HOLDER | 6 | |
| 1 | 1 | 1 | 1 | 1 | 1 | 1 | 1 | SILICONE | LIGHT BLUE | FAMILY SEAL | 5 | |
| | | | | | | | | PA66 GF | BLACK | SLIDE(CUT) | 8 | |
| | | | | | | | 1 | 1 | PA66 GF | BLACK | SLIDE | 4 |
| 1 | 1 | | | | | | | PA6 GF | BLACK | SLIDE(CUT) | 10 | |
| | | | | | | | | PA6 GF | BLACK | SLIDE | 9 | |
| 1 | | 1 | 1 | | | | | PBT GF | WATER BLUE | CAVITY BLOCK (GENERAL CODING) | 3 | |
| | 1 | | | | | | | PBT GF | BLUE | CAVITY BLOCK (CODING G) | 3 | |
| 1 | 1 | 1 | 1 | 1 | 1 | 1 | 1 | SILICONE | ORANGE | SEALING | 2 | |
| 1 | 1 | | | 1 | 1 | | | PBT/ASA GF | BLACK | CARRIER HOUSING (ENHANCED) | 7 | |
| | | | | | | 1 | 1 | PBT/ASA GF | BLACK | CARRIER HOUSING (ICT) | 1 | |
| QTY | QTY | QTY | QTY | QTY | QTY | QTY | QTY | MATERIAL | COLOUR | DESCRIPTION | ITEM | |
| 3-2209544-9 | 3-2209544-1 | 2-2209544-9 | 2-2209544-1 | 1-2209544-9 | 1-2209544-1 | 0-2209544-9 | 0-2209544-1 | P/N | | | | |
| B | B | B | B | B | B | B | B | REV | | | | |
| LEVER ENHANCED VERSION | | ICT VERSION | | LEVER ENHANCED VERSION | | ICT VERSION | | | | | | |

| REVISIONS | | | | |
|-----------|-----|---------------------------|---------|----------|
| P. | LTM | DESCRIPTION | DATE | OWN APVD |
| B1 | | ADD NEW CODING | 27JUN16 | J.Z S.W |
| B2 | | CHANGE P/N, ECR-17-012597 | 05SEP17 | C.N I.Y |
| B3 | | ECR-19-004608 | 25MAR19 | S.C I.Y |
| B4 | | ECR-20-007109 | 19MAY20 | S.C I.Y |

THIS DRAWING IS A CONTROLLED DOCUMENT.

OWNER: J.LI 26MAY14
 CHK: Z.ZHOU 27MAY14
 APVD: J.YIN 5JUN14

DIMENSIONS: mm
 TOLERANCES UNLESS OTHERWISE SPECIFIED:
 0-0.125 0.125-0.25 0.25-0.5 0.5-1.0 1.0-2.0 2.0-5.0 5.0-10.0 10.0-25.0 25.0-50.0 50.0-100.0 100.0-200.0 200.0-500.0 500.0-1000.0

NAME: CONNECTOR HOUSING, 60P, MOS CB MOS CB+ MCP2.8K
 SIZE: A1
 SCALE: 2:1
 SHEET: 1 OF 1
 REV: B4

STE TE Connectivity

X-ON Electronics

Largest Supplier of Electrical and Electronic Components

Click to view similar products for [Automotive Connectors](#) category:

Click to view products by [TE Connectivity](#) manufacturer:

Other Similar products are found below :

[003-018-000](#) [60993906-B](#) [72.330.1035.1](#) [F358300-B](#) [F407400](#) [776880-1](#) [827153-1](#) [8N1515-32-24P](#) [9-1326729-8](#) [925474-1](#) [928905-1](#)
[964562-4](#) [968782-1](#) [98891-1012](#) [12004475-L](#) [12041318-B](#) [12052466](#) [12015909](#) [1-21030-1](#) [12041318](#) [12047957](#) [12185550](#) [12336-12](#)
[12147304](#) [1-326211-1](#) [13681974](#) [13783086](#) [13832576](#) [13542772](#) [13675513](#) [1428188-1](#) [1437287-3](#) [1428188-2](#) [DS07-19S-5020](#) [1456983-5](#)
[1456987-7](#) [APD-7CP-H](#) [APK-SB25A10L](#) [1452931-2](#) [15336198](#) [15491972](#) [15305306](#) [15396680](#) [15425613](#) [15518544](#) [15522351](#) [1719636-1](#)
[172190-2](#) [172190-5](#) [192900-0402](#)