

REVISIONS					
P	LTR	DESCRIPTION	DATE	DWN	APVD
E		PRODUCTION ISSUE	01FEB2019	PNT	MT

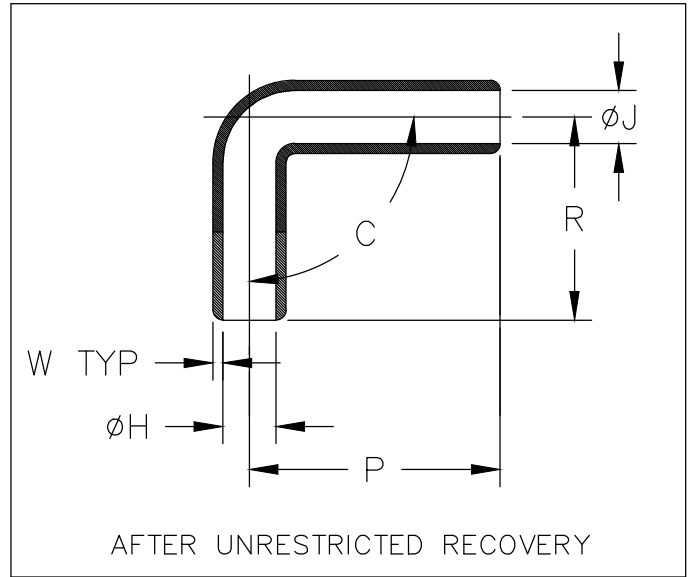
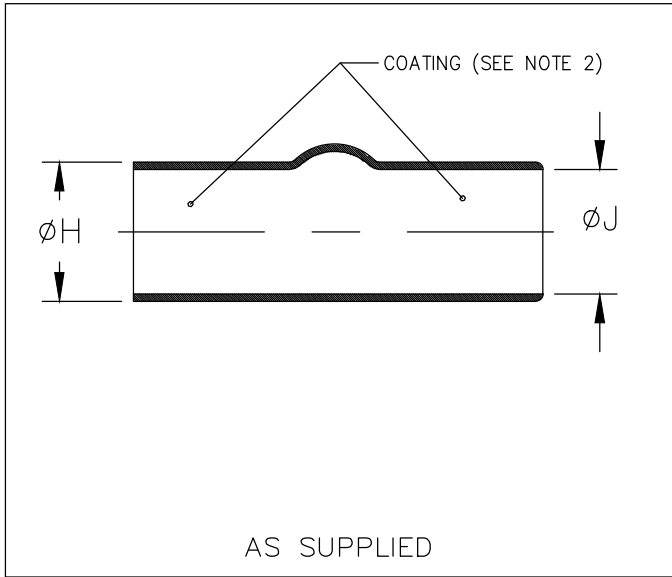



TABLE OF DIMENSIONS								
PART NUMBER	H		J		P	R	W	C
	Min a	Max b	Min a	Max b	$\pm 10\%$ b	$\pm 10\%$ b	$\pm 20\%$ b	$\pm 5^\circ$ b
220A012	15.7 [.62]	7.8 [.31]	15.7 [.62]	7.8 [.31]	44.4 [1.75]	25.4 [1.00]	1.5 [.06]	90°
220A018	19.0 [.75]	9.4 [.37]	19.0 [.75]	9.4 [.37]	44.4 [1.75]	44.4 [1.75]	1.7 [.07]	90°
220A023	31.7 [1.25]	15.7 [.62]	31.7 [1.25]	15.7 [.62]	88.9 [3.50]	50.8 [2.00]	2.3 [.09]	90°

RELEASED FOR PUBLICATION

ALL RIGHTS RESERVED.

THIS DRAWING IS UNPUBLISHED.

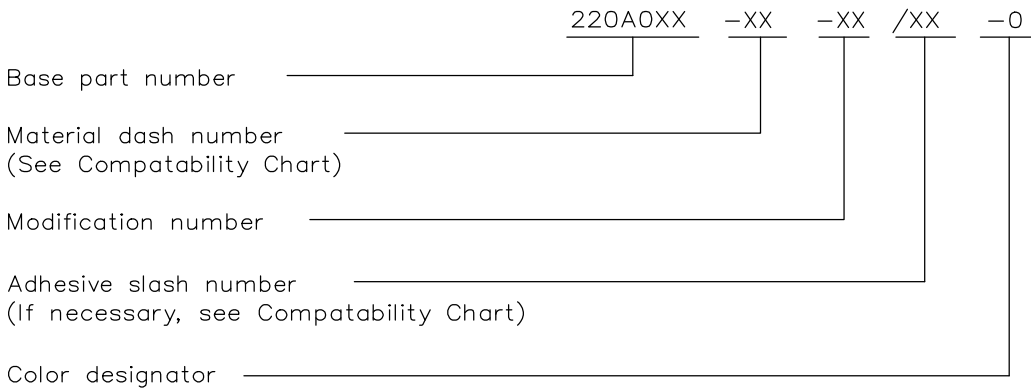
© COPYRIGHT - TE Connectivity Ltd.

DIMENSIONS: mm [INCHES]	DWN	01FEB2019	MATERIAL	SEE SHEET 2	FINISH	-
	CHK	01FEB2019	 TE Connectivity Ltd.			
TOLERANCES UNLESS OTHERWISE SPECIFIED:	APVD	01FEB2019				
	PRODUCT SPEC	-	SIZE	CAGE CODE	DRAWING NO	RESTRICTED TO
0 PLC ± -	APPLICATION SPEC	-	A4	00779	C-220A012-XX-0THRU023-XX-0	-
1 PLC ± -	WEIGHT	-	CUSTOMER DRAWING			SCALE
2 PLC ± -			DNS			SHEET
3 PLC ± -			1 OF 2			REV
4 PLC ± -			E			
ANGLES ± -						

REVISIONS					
P	LTR	DESCRIPTION	DATE	DWN	APVD
	-	SEE SHEET 1	-	-	-

COMPATIBILITY CHART				
MATERIAL DASH NO.	MATERIAL DESCRIPTION	RT SPEC	COATING SLASH NO.	COATING SPEC
-3	POLYOLEFIN, SEMI-RIGID	RT-301	/42;/86;/180	S1017;S1048;S1030
-4	POLYOLEFIN, FLEXIBLE	RT-1304	/42;/86;/180	S1017;S1048;S1030
-12	FLUROELASTOMER FLEXIBLE	RT-1312	N/A	N/A
-25	ELASTOMER, FLUID RESISTANT	RW-2070	/42;/86;/225	S1017;S1048;S1206

ORDERING INFORMATION




NOTES

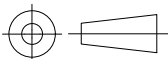
- Dimensions appearing in table are as follows:
  - a - As Supplied
  - b - After Unrestricted Recovery
- Coating is optional. As supplied dimensions appearing in table are for uncoated parts. When coating is added, entry diameters will be reduced by 1.5[.06] max.

THIS DRAWING IS UNPUBLISHED.

ALL RIGHTS RESERVED.

COPYRIGHT - TE Connectivity Ltd.

DIMENSIONS: mm [INCHES]	DWN PRAVEEN N T	01FEB2019	MATERIAL	-	FINISH	-
	CHK N NAGAR	01FEB2019	 TE Connectivity Ltd.			
TOLERANCES UNLESS OTHERWISE SPECIFIED:	APVD M TAYLOR	01FEB2019				
0 PLC ± -	PRODUCT SPEC	-	NAME	COVER, ELBOW		
1 PLC ± -	APPLICATION SPEC	-	SIZE	CAGE CODE	DRAWING NO	RESTRICTED TO
2 PLC ± -	WEIGHT	-	A4	00779	C-220A012-XX-0THRU023-XX-0	-
3 PLC ± -			CUSTOMER DRAWING			
4 PLC ± -			SCALE	DNS	SHEET 2 OF 2	REV E
ANGLES ± -						



## X-ON Electronics

Largest Supplier of Electrical and Electronic Components

*Click to view similar products for [Wire Ducting & Raceways](#) category:*

*Click to view products by [TE Connectivity](#) manufacturer:*

Other Similar products are found below :

[800A-LB](#) [801I-LSP](#) [802A-ECSP](#) [802I-ICSP](#) [923223-000](#) [PRAF6WH-X](#) [A0405538](#) [1301150342](#) [1301160034](#) [1301170070](#) [1301180011](#)  
[1301230083](#) [1301230153](#) [1301240273](#) [1301250006](#) [1302261238](#) [1302261321](#) [1302262552](#) [1302263103](#) [1302263178](#) [1302263259](#)  
[1302263816](#) [1302263860](#) [1302264375](#) [1302264390](#) [1301150343](#) [1301160030](#) [1301170050](#) [1301170051](#) [1301170061](#) [1301180013](#)  
[1301230086](#) [1301230130](#) [1301240054](#) [1302260055](#) [1302260376](#) [1302261343](#) [1302261344](#) [1302262674](#) [1302263095](#) [1302263166](#)  
[1302263209](#) [1302263513](#) [1302263851](#) [1302263870](#) [1302264137](#) [1302264218](#) [DD1/J](#) [AX102007](#) [AX102411](#)