

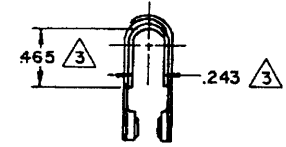
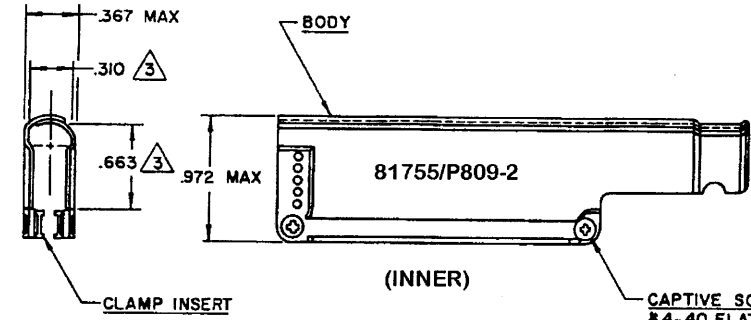
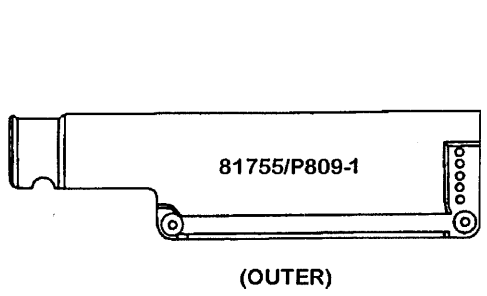
4

3

2

1

REVISIONS			
ZONE/LTR	DESCRIPTION	DATE	APPROVAL
—	N/C	INITIAL RELEASE PER ECN # T-20417	8-29-95 HAGMANN



NOTES:

1. MATERIAL:

- A. **BODY**; PHOSPHOR BRONZE PER ASTM B-139.
- B. **CAPTIVE SCREW**; STAINLESS STEEL PER QQ-S-763, 300 SERIES.
- C. **CLAMP INSERT**; FLUOROSILICONE ELASTOMER PER MIL-R-25988.

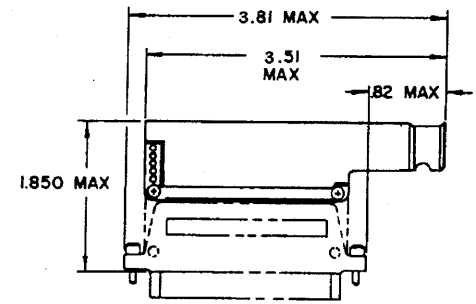
2. FINISH:

- A. **BODY**; TIN PLATED PER MIL-T-10727 OVER NICKEL PER MIL-C-26074.
- B. **CAPTIVE SCREW**; CADMIUM PLATED PER QQ-P-416

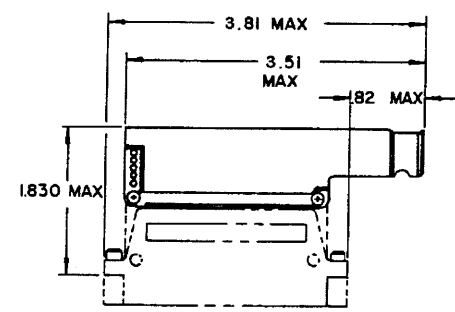
(3) THESE DIMENSIONS ARE FOR MAXIMUM CABLE ACCOMMODATION.

4. **Raychem** PART NUMBER IS MARKED ON BACKSHELL PACKAGE.

5. THIS BACKSHELL IS FOR USE WITH **Raychem** MTC SERIES CONNECTORS, 2" PLUG OR 2" RECEPTACLE AS SHOWN.



2 INCH PLUG ASSY
INSTALLATION DATA
REF



2 INCH RECEPTACLE ASSY
INSTALLATION DATA
REF

CUSTOMER P/N	RAYCHEM P/N	STYLE
81755/P809-1	CHA-0018-103	OUTER
81755/P809-2	CHA-0018-203	INNER

SPECIFICATION CONTROL DRAWING

UNLESS OTHERWISE SPECIFIED DIMENSIONS ARE IN INCHES BRACKETED DIMENSIONS () ARE METRIC AND TOLERANCES ARE: xxx: ± () xx: ± () Δ: ± ()	DRAWN	W.JACKSON	9-80	Raychem <small>RAYCHEM CORPORATION 300 CONSTITUTION DRIVE MENLO PARK, CALIFORNIA 94025</small>	
	CHECKED	B			
	APPROVED	Plain	7-29-80		
	APPROVED				
				TITLE	RIGHT ANGLE BREAKOUT BACKSHELL 2 INCH MTC
				SIZE	A
				CODE IDENT	NO. 08090
				DWG. NO.	CHA-0018-X03
				CAD NAME	001029-1.PCX
				WEIGHT	
				SHEET	1 OF 1

DO NOT SCALE THIS DRAWING.

ORIGINAL DOCUMENT

X-ON Electronics

Largest Supplier of Electrical and Electronic Components

Click to view similar products for [Rack & Panel Connectors](#) category:

Click to view products by [TE Connectivity](#) manufacturer:

Other Similar products are found below :

[00170420102](#) [00171420202](#) [00171440002](#) [008026165000265](#) [00-8219-072-000-112P44](#) [008219072000112P5](#) [02-014-013-5200-000](#) [613467-000](#) [CTJ112E01E-513](#) [CTJ116E03A-513](#) [M81714/63-22S L/C](#) [M81714/65-12-1](#) [66020-2](#) [CW8958-000](#) [699886-000](#) [D250-50632](#)
[70.400.3240.0](#) [70.955.2453.3](#) [733753-000](#) [F22831-000](#) [780-522-DPX34RG8-02](#) [MMA25-0341D1](#) [8660-501](#) [87.060.0053.0](#) [900709N001](#)
[QRP4-12P-C\(01\)](#) [QR/P6-6S-C\(01\)](#) [AC-600003-004](#) [1218600-1](#) [D-659-0061](#) [DMC-MD 24 C-T](#) [1-445717-6](#) [1484398-2](#) [1484399-2](#) [1484469-2](#) [MR-34MG](#) [1484225-1](#) [1484398-1](#) [1604997-2](#) [1663130-1](#) [1663767-7](#) [1663767-8](#) [MTC100-BF1-P31CS015](#) [MTC100-KT2-0083](#) [MTC100-KT2-0123-003](#) [MTC100-YA1-005](#) [MTCB1X-105-XXX](#) [MTCPQKT1P2PGDC](#) [MTCPQKT1R2PGCA](#) [MTCR-103-04S](#)