

THIS DRAWING IS UNPUBLISHED. RELEASED FOR PUBLICATION 20  
 © COPYRIGHT 20 BY - ALL RIGHTS RESERVED.

| LOC |     | DIST                      |  | REVISIONS |     |      |  |
|-----|-----|---------------------------|--|-----------|-----|------|--|
| P   | LTR | DESCRIPTION               |  | DATE      | DWN | APVD |  |
|     | A4  | REVISED PER ECR-13-007047 |  | 16MAY2013 | RS  | DD   |  |
|     | A5  | REVISED PER ECR-15-003564 |  | 13MAR2015 | RS  | DD   |  |
|     | B   | REVISED PER ECR-15-004054 |  | 28JUL2015 | RS  | DD   |  |
|     | C   | REVISED PER ECR-15-017995 |  | 18DEC2015 | RS  | DD   |  |

1 MATERIALS AND FINISH:  
 - HOUSING: LCP, COLOR: NATURAL  
 - CONTACTS: COPPER ALLOY, FINISH: Sn OVER Ni

2. COMPLY WITH DIRECTIVE 2002/95/EC (ROHS).

3. 18-24AWG SOLID OR STRANDED WIRE.  
 PLEASE REFER TO APPLICATION SPEC 114-13266  
 FOR RECOMMENDED STRAND COUNT.  
 18AWG MAX INSULATION OD: 2.20  
 20AWG MAX INSULATION OD: 1.90  
 22AWG MAX INSULATION OD: 1.70  
 24AWG MAX INSULATION OD: 1.45

4. PACKAGE IN TAPE AND REEL. PER EIA-481 SPECIFICATION;  
 (EXCEPT 1 POSITION CONNECTOR).

5 WIRE SIZE MARKING IN APPROXIMATE LOCATION SHOWN.

6 DATUMS AND BASIC DIMENSIONS ESTABLISHED BY CUSTOMER.

7 COLOR CODE MARKING, STRAIGHT LINE.

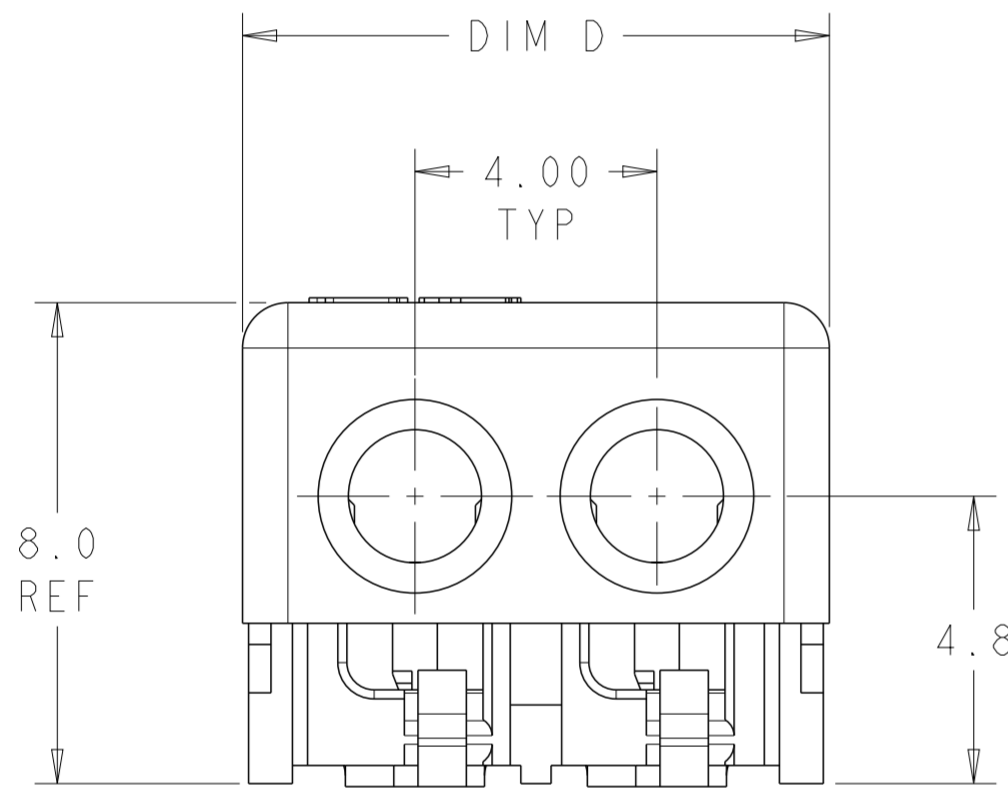
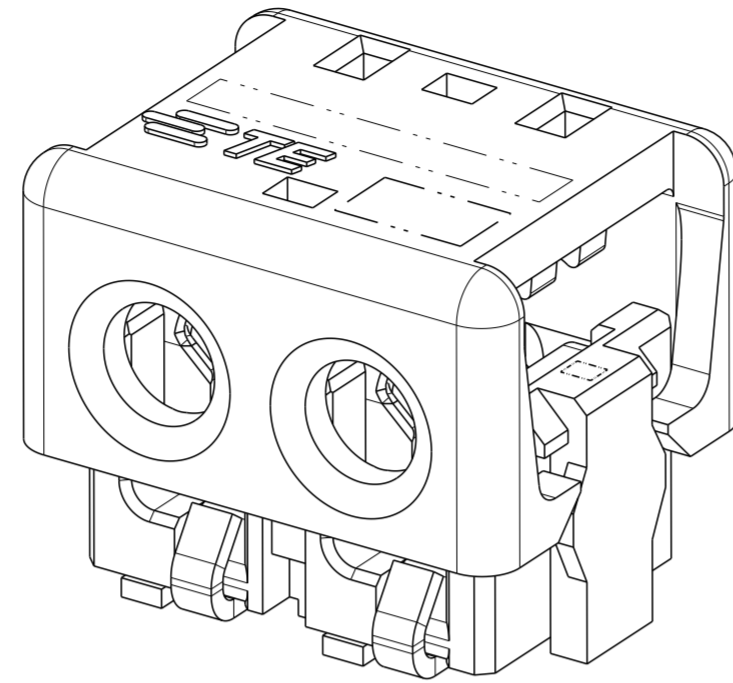
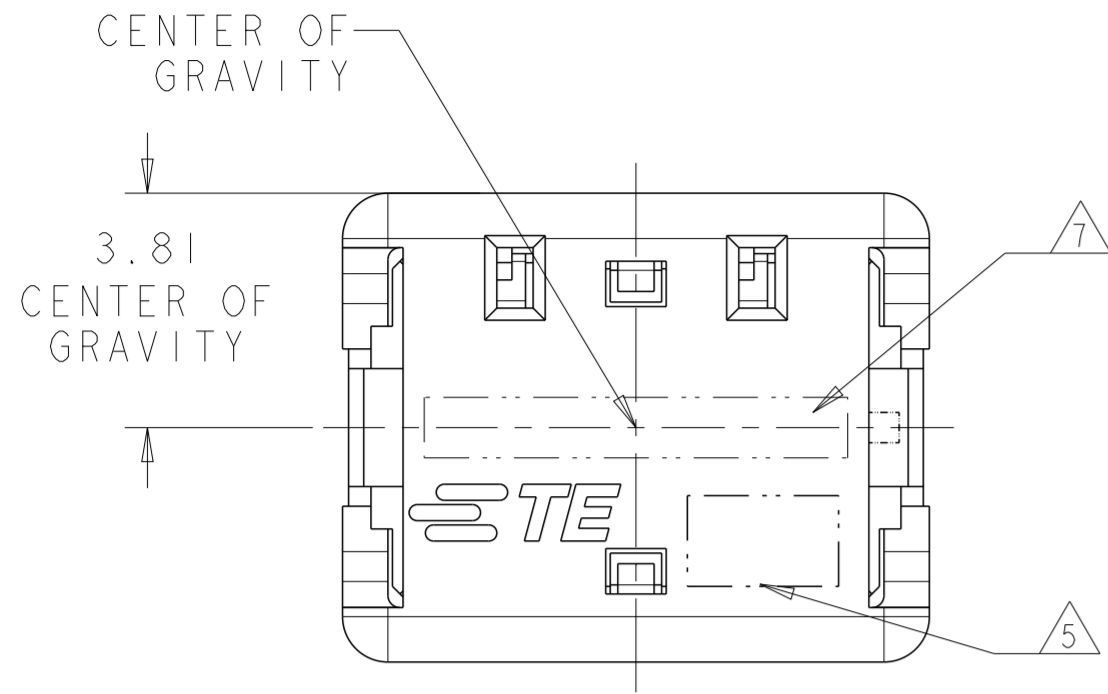
8 1 POSITION ASSEMBLY DOES NOT COMPLY WITH EIA 481 SPECIFICATION.

| COLOR CODE | DIM D | WIRE SIZE | POSN | COLOR   | PART NUMBER              |
|------------|-------|-----------|------|---------|--------------------------|
| RED        | 17.70 | 24 AWG    | 4    | BLACK   | 7-2106003-4              |
|            | 13.70 | 24 AWG    | 3    | BLACK   | 7-2106003-3              |
|            | 9.70  | 24 AWG    | 2    | BLACK   | 7-2106003-2              |
|            | 5.70  | 24 AWG    | 1    | BLACK   | 7-2106003-1 <sup>8</sup> |
| GREEN      | 17.70 | 22 AWG    | 4    | BLACK   | 6-2106003-4              |
|            | 13.70 | 22 AWG    | 3    | BLACK   | 6-2106003-3              |
|            | 9.70  | 22 AWG    | 2    | BLACK   | 6-2106003-2              |
|            | 5.70  | 22 AWG    | 1    | BLACK   | 6-2106003-1 <sup>8</sup> |
| BLUE       | 17.70 | 20 AWG    | 4    | BLACK   | 5-2106003-4              |
|            | 13.70 | 20 AWG    | 3    | BLACK   | 5-2106003-3              |
|            | 9.70  | 20 AWG    | 2    | BLACK   | 5-2106003-2              |
|            | 5.70  | 20 AWG    | 1    | BLACK   | 5-2106003-1 <sup>8</sup> |
| YELLOW     | 17.70 | 18 AWG    | 4    | BLACK   | 4-2106003-4              |
|            | 13.70 | 18 AWG    | 3    | BLACK   | 4-2106003-3              |
|            | 9.70  | 18 AWG    | 2    | BLACK   | 4-2106003-2              |
|            | 5.70  | 18 AWG    | 1    | BLACK   | 4-2106003-1 <sup>8</sup> |
| RED        | 17.70 | 24 AWG    | 4    | NATURAL | 3-2106003-4              |
|            | 13.70 | 24 AWG    | 3    | NATURAL | 3-2106003-3              |
|            | 9.70  | 24 AWG    | 2    | NATURAL | 3-2106003-2              |
|            | 5.70  | 24 AWG    | 1    | NATURAL | 3-2106003-1 <sup>8</sup> |
| GREEN      | 17.70 | 22 AWG    | 4    | NATURAL | 2-2106003-4              |
|            | 13.70 | 22 AWG    | 3    | NATURAL | 2-2106003-3              |
|            | 9.70  | 22 AWG    | 2    | NATURAL | 2-2106003-2              |
|            | 5.70  | 22 AWG    | 1    | NATURAL | 2-2106003-1 <sup>8</sup> |
| BLUE       | 17.70 | 20 AWG    | 4    | NATURAL | 1-2106003-4              |
|            | 13.70 | 20 AWG    | 3    | NATURAL | 1-2106003-3              |
|            | 9.70  | 20 AWG    | 2    | NATURAL | 1-2106003-2              |
|            | 5.70  | 20 AWG    | 1    | NATURAL | 1-2106003-1 <sup>8</sup> |
| YELLOW     | 17.70 | 18 AWG    | 4    | NATURAL | 2106003-4                |
|            | 13.70 | 18 AWG    | 3    | NATURAL | 2106003-3                |
|            | 9.70  | 18 AWG    | 2    | NATURAL | 2106003-2                |
|            | 5.70  | 18 AWG    | 1    | NATURAL | 2106003-1 <sup>8</sup>   |

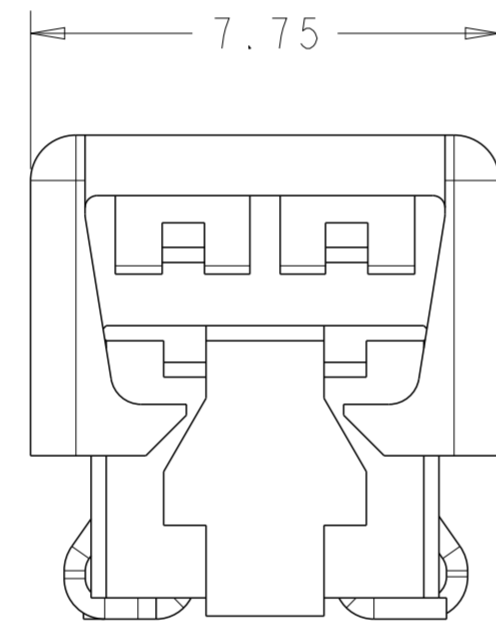
|  |  |                               |  |                         |
|--|--|-------------------------------|--|-------------------------|
| THIS DRAWING IS A CONTROLLED DOCUMENT. |  | DWN<br>C DAILY 09DEC2008      | <b>STE</b> TE Connectivity                                 |                         |
|  |  | CHK<br>J DYER 09DEC2008       |  |                         |
| DIMENSIONS:<br>mm                      | TOLERANCES UNLESS OTHERWISE SPECIFIED:                     | APVD<br>-                     | NAME<br>ASSEMBLY,<br>IDC SSL CONNECTOR,<br>SMT, CLOSED END |                         |
|  | 0 PLC ±<br>1 PLC ±0.5<br>2 PLC ±0.13<br>3 PLC ±<br>4 PLC ± | PRODUCT SPEC<br>108-2404      | SIZE<br>A2   |                         |
| MATERIAL                               | ANGLES ±<br>FINISH   | APPLICATION SPEC<br>114-13266 | CAGE CODE<br>00779   | DRAWING NO<br>C-2106003 |
|  |  | WEIGHT<br>-                   | RESTRICTED TO<br>-   | SCALE<br>2:1            |
| Customer Drawing                       |  |                               | SHEET<br>1   | OF 4<br>REV<br>C        |

THIS DRAWING IS UNPUBLISHED. RELEASED FOR PUBLICATION 20  
 © COPYRIGHT 20 BY - ALL RIGHTS RESERVED.

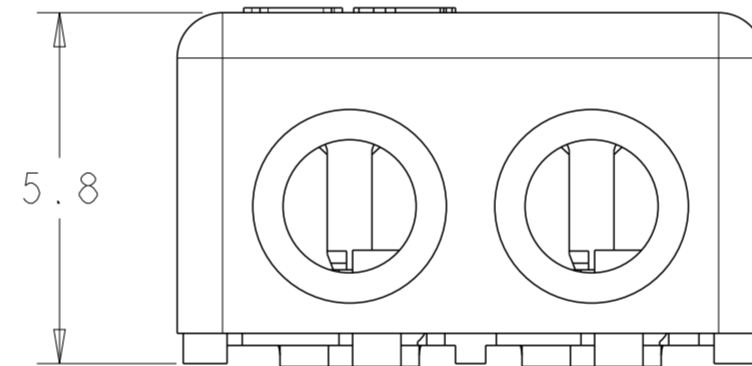
| LOC |     | DIST        |  | REVISIONS |     |      |  |
|-----|-----|-------------|--|-----------|-----|------|--|
| P   | LTR | DESCRIPTION |  | DATE      | DWN | APVD |  |
| -   | -   | SEE SHEET 1 |  | -         | -   | -    |  |
|     |     |             |  |           |     |      |  |
|     |     |             |  |           |     |      |  |



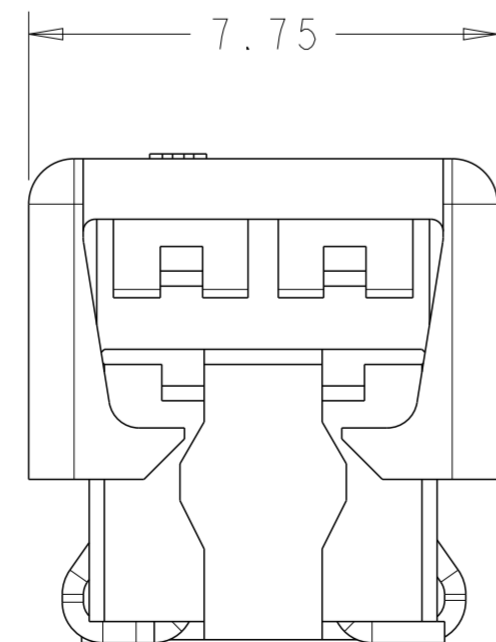
2 POSITION  
 SHOWN AS SHIPPED



FOR 1 POSITION ONLY



2 POSITION  
 SHOWN CLOSED  
 SCALE 8:1

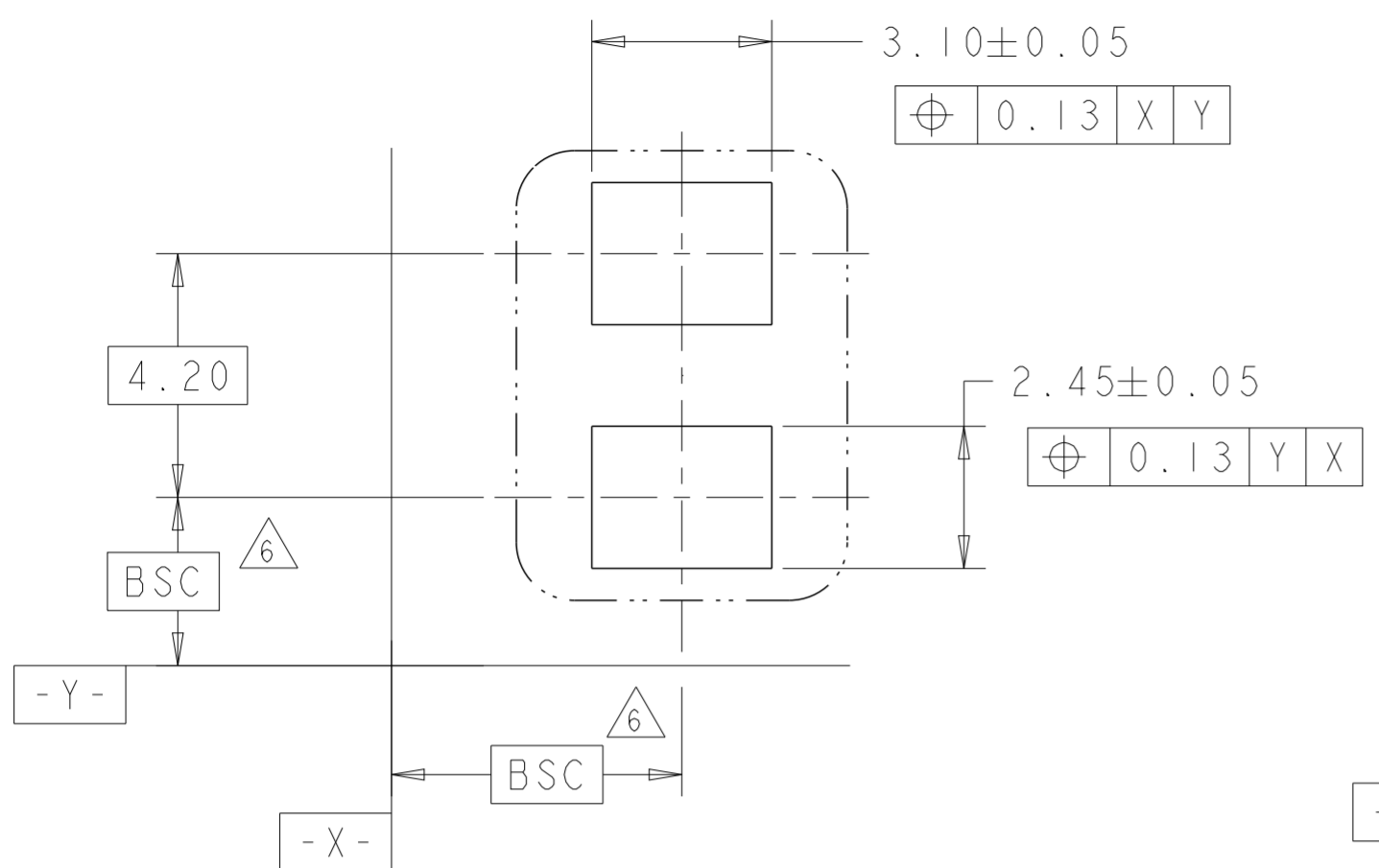


FOR 2, 3 AND 4 POSITIONS

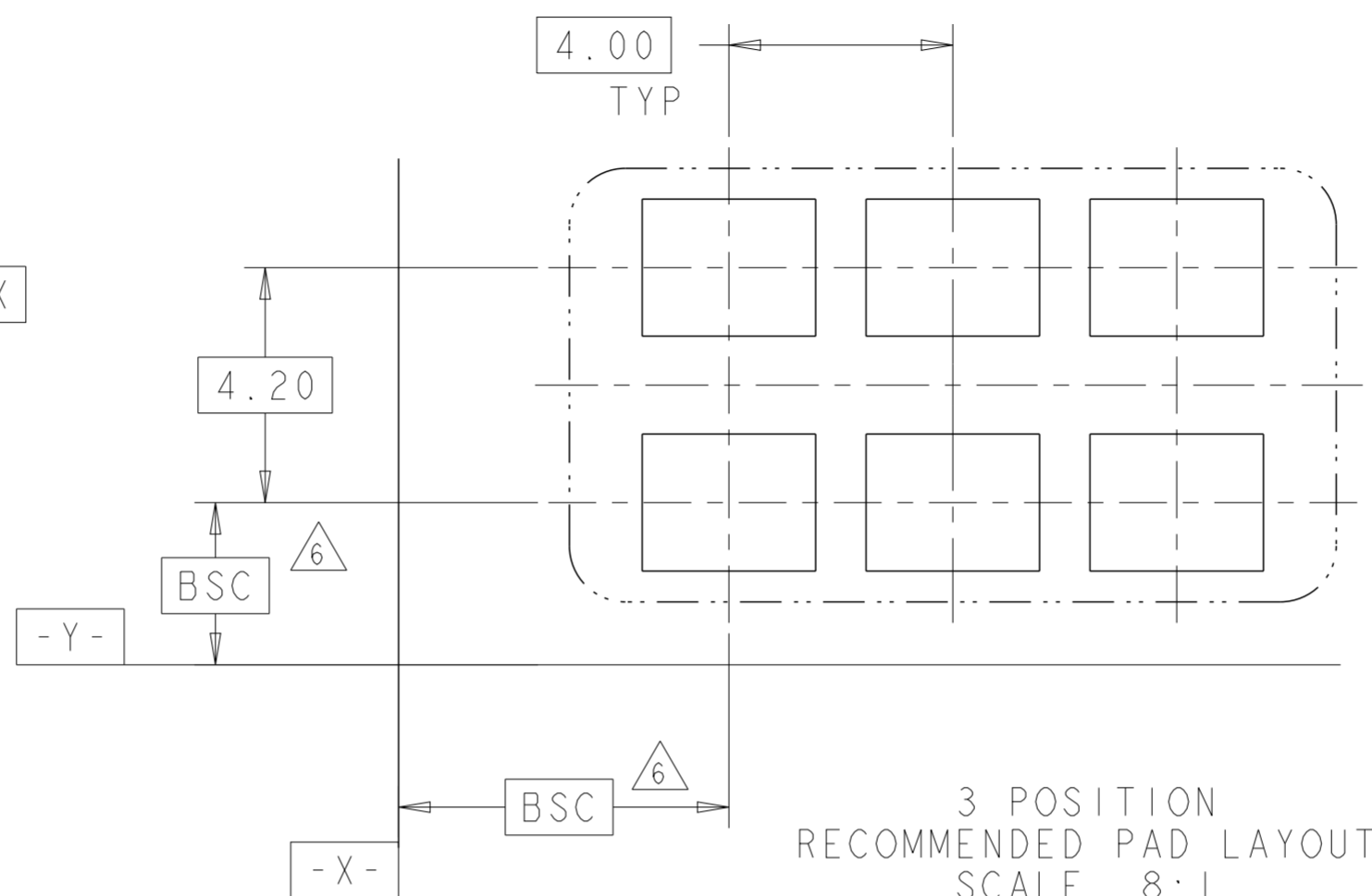
|  |            |                               |  |  |
|--|------------|-------------------------------|--|--|
| THIS DRAWING IS A CONTROLLED DOCUMENT. |            | DWN<br>C DAILY<br>09DEC2008   | <b>STE</b> TE Connectivity                                 |  |
|  |            | CHK<br>J DYER<br>09DEC2008    |  |  |
| DIMENSIONS:                            |            | APVD<br>-                     | NAME<br>ASSEMBLY,<br>IDC SSL CONNECTOR,<br>SMT, CLOSED END |  |
| mm                                     |            | PRODUCT SPEC<br>108-2404      | SIZE<br>A200779  |  |
| TOLERANCES UNLESS OTHERWISE SPECIFIED: |            | APPLICATION SPEC<br>114-13266 | CAGE CODE<br>C-2106003                                     |  |
| 0 PLC ±                                |            | WEIGHT<br>-                   | DRAWING NO<br>-  |  |
| 1 PLC ±0.5                             |            | RESTRICTED TO<br>-            |  |  |
| 2 PLC ±0.13                            |            | SCALE 2:1 SHEET 1 OF 4 REV C  |  |  |
| 3 PLC ±                                |            |                               |  |  |
| 4 PLC ±                                |            |                               |  |  |
| ANGLES ±                               |            |                               |  |  |
| FINISH                                 |            |                               |  |  |
| MATERIAL                               | material_2 | finish_spec_2                 | Customer Drawing   |  |

THIS DRAWING IS UNPUBLISHED. RELEASED FOR PUBLICATION 20  
 © COPYRIGHT 20 BY - ALL RIGHTS RESERVED.

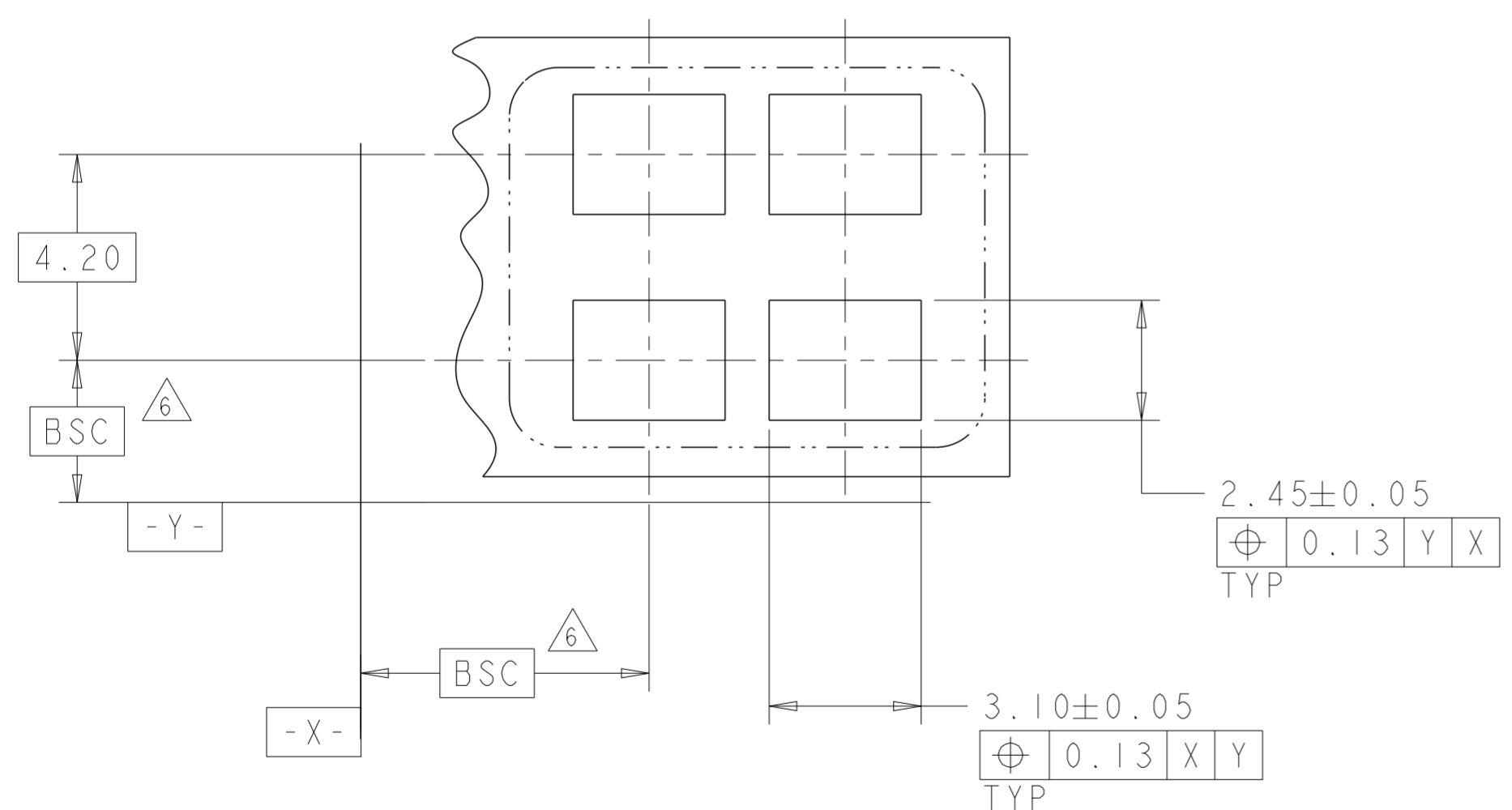
| LOC |     | DIST        |  | REVISIONS |      |     |      |  |
|-----|-----|-------------|--|-----------|------|-----|------|--|
| P   | LTR | DESCRIPTION |  |           | DATE | DWN | APVD |  |
| -   | -   | SEE SHEET 1 |  |           | -    | -   | -    |  |
|     |     |             |  |           |      |     |      |  |
|     |     |             |  |           |      |     |      |  |



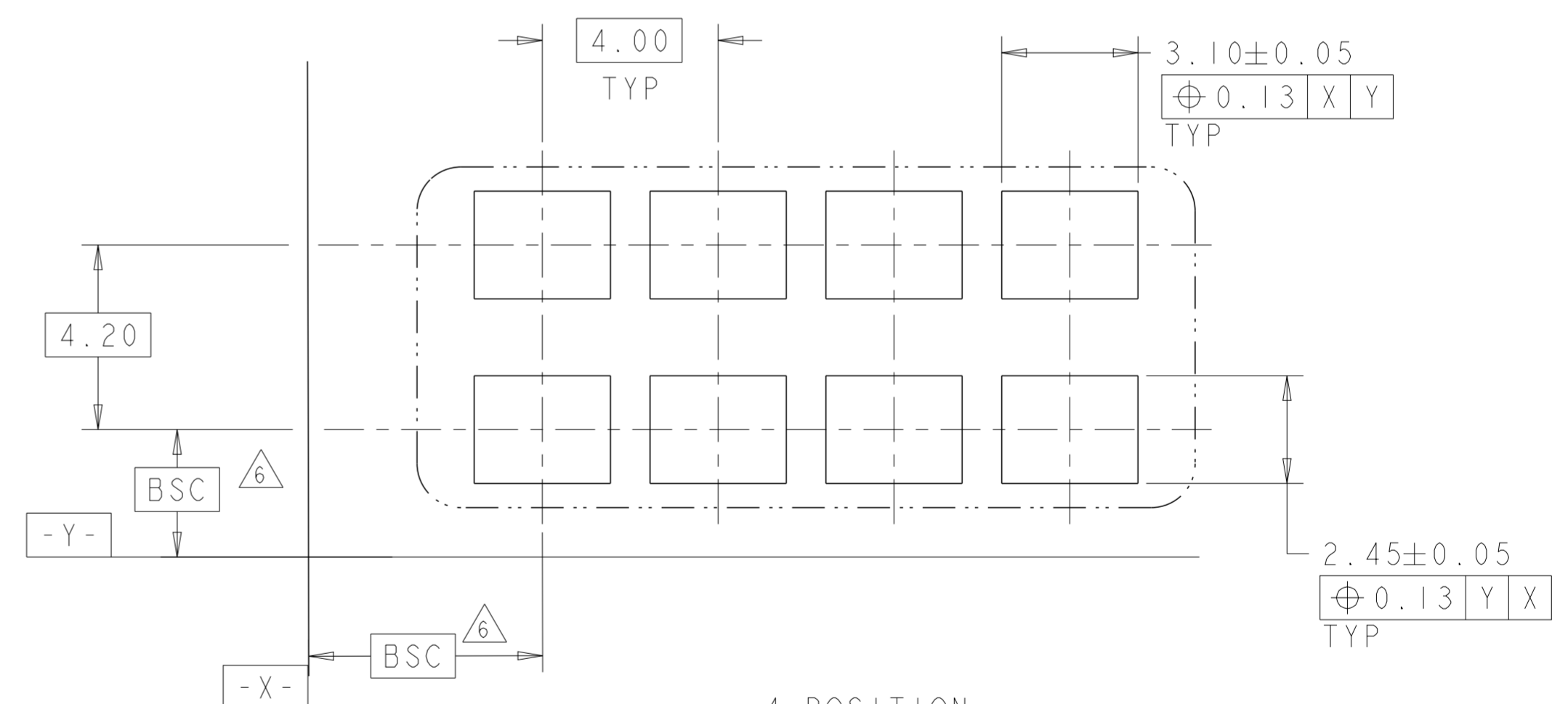
1 POSITION  
RECOMMENDED PAD LAYOUT  
SCALE 8:1



3 POSITION  
RECOMMENDED PAD LAYOUT  
SCALE 8:1



2 POSITION  
RECOMMENDED PAD LAYOUT  
SCALE 8:1

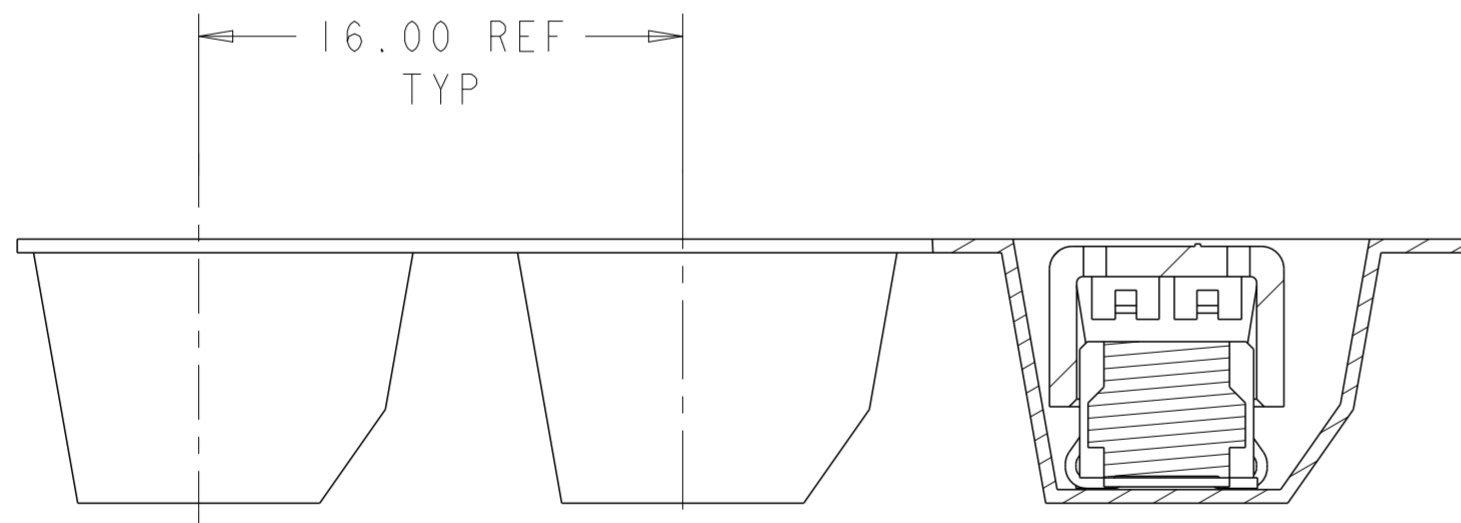
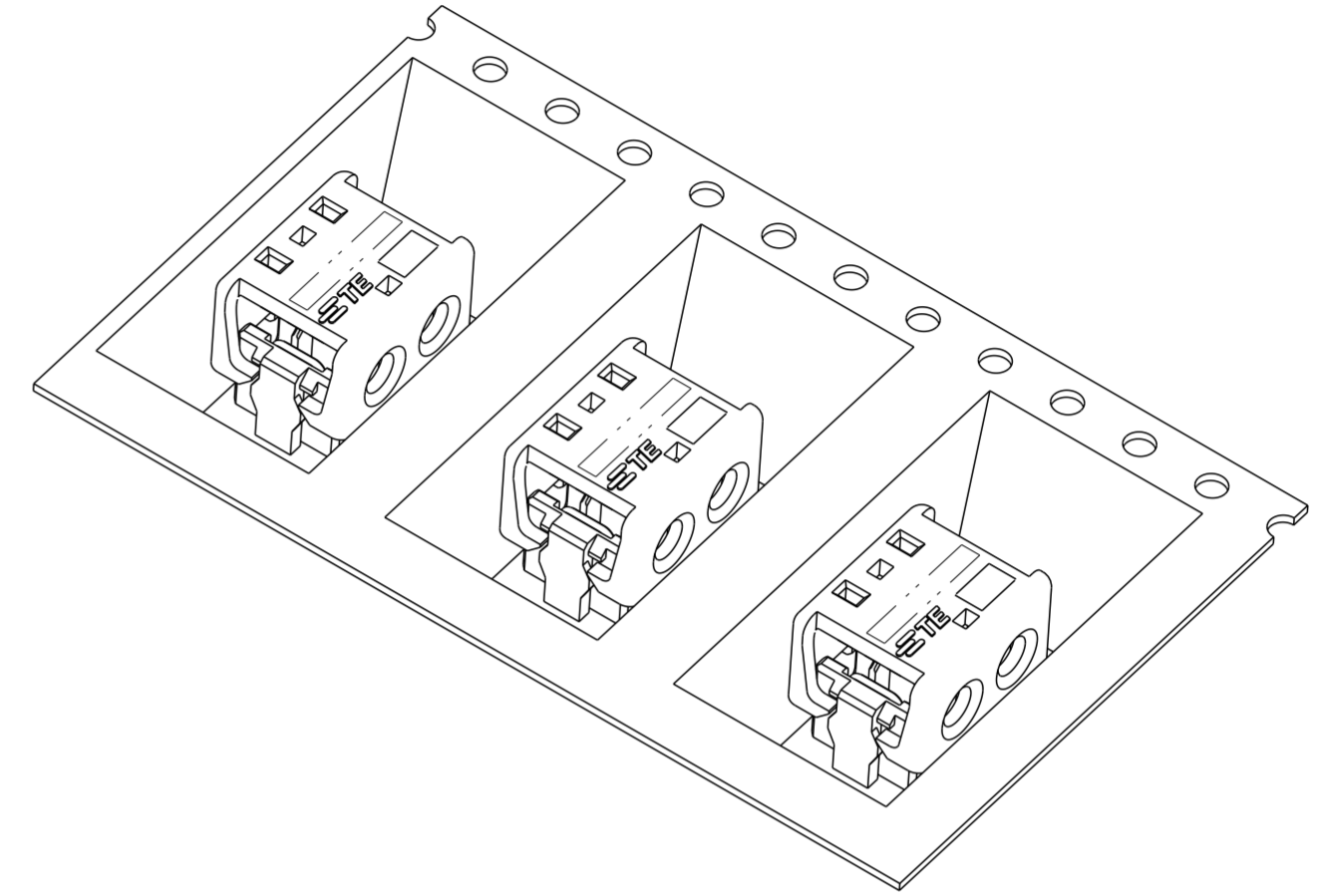
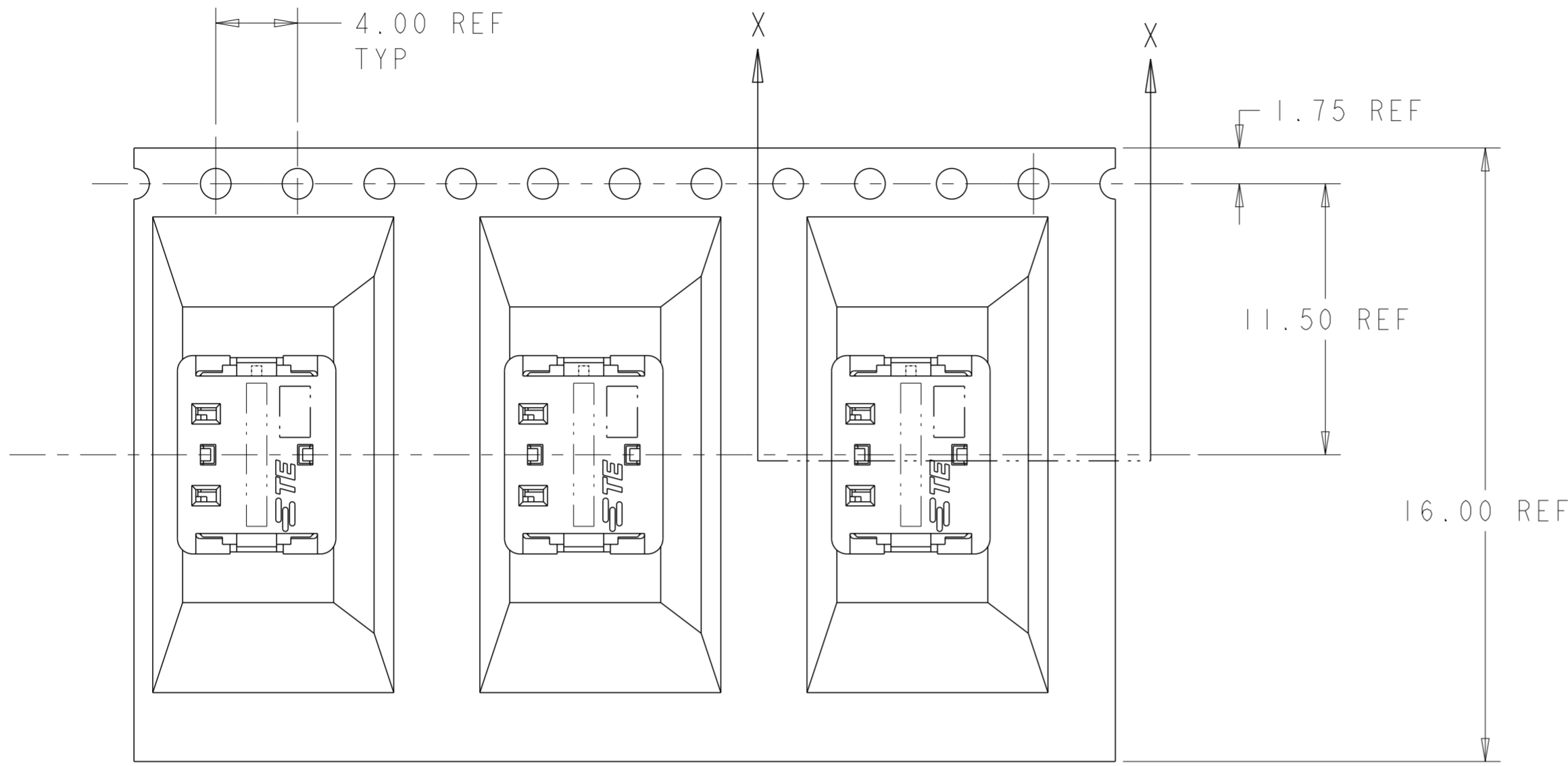


4 POSITION  
RECOMMENDED PAD LAYOUT  
SCALE 8:1

|  |  |                             |  |                    |
|--|--|-----------------------------|--|--------------------|
| THIS DRAWING IS A CONTROLLED DOCUMENT. |  | DWN<br>C DAILY<br>09DEC2008 | <b>STE</b> TE Connectivity                         |                    |
|  |  | CHK<br>J DYER<br>09DEC2008  |  |                    |
| DIMENSIONS:                            | TOLERANCES UNLESS OTHERWISE SPECIFIED:                     | APVD                        | NAME   |                    |
| mm                                     | 0 PLC ±<br>1 PLC ±0.5<br>2 PLC ±0.13<br>3 PLC ±<br>4 PLC ± | PRODUCT SPEC                | ASSEMBLY,<br>IDC SSL CONNECTOR,<br>SMT, CLOSED END |                    |
|  | FINISH   | APPLICATION SPEC            | SIZE   | CAGE CODE          |
| MATERIAL                               | material_2   | 114-13266                   | A200779  | DRAWING NO         |
|  | finish_spec_2  | WEIGHT                      | C-2106003  | RESTRICTED TO      |
|  |  | Customer Drawing            | SCALE 2:1  | SHEET 1 OF 4 REV C |


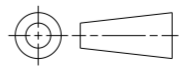
THIS DRAWING IS UNPUBLISHED. RELEASED FOR PUBLICATION 20  
 © COPYRIGHT 20 BY - ALL RIGHTS RESERVED.

| LOC |     | DIST        |  | REVISIONS |     |      |  |
|-----|-----|-------------|--|-----------|-----|------|--|
| P   | LTR | DESCRIPTION |  | DATE      | DWN | APVD |  |
| -   | -   | SEE SHEET 1 |  | -         | -   | -    |  |
|     |     |             |  |           |     |      |  |
|     |     |             |  |           |     |      |  |



SECTION X-X

2106003-2 SHOWN IN POCKET TAPE

|   |  |  |   |  |
|---|--|--|---|--|
| THIS DRAWING IS A CONTROLLED DOCUMENT.  |  | DWN<br>C DAILY<br>09DEC2008            |  TE Connectivity |  |
|   |  | CHK<br>J DYER<br>09DEC2008             |   |  |
| DIMENSIONS:<br>mm   |  | TOLERANCES UNLESS OTHERWISE SPECIFIED: |   | NAME<br>ASSEMBLY,<br>IDC SSL CONNECTOR,<br>SMT, CLOSED END |
|  |  | 0 PLC ±                                | 1 PLC ±0.5  | PRODUCT SPEC<br>108-2404                                   |
| MATERIAL<br>material_2  |  | 2 PLC ±0.13                            | 3 PLC ±   | APPLICATION SPEC<br>114-13266                              |
| finish_spec_2   |  | 4 PLC ±                                | ANGLES ±  | WEIGHT<br>-  |
|   |  | FINISH<br>-                            |   | SIZE<br>A200779  |
|   |  |  |   | CAGE CODE<br>C-2106003                                     |
|   |  |  |   | DRAWING NO<br>Customer Drawing                             |
|   |  |  |   | RESTRICTED TO<br>-   |
|   |  |  |   | SCALE<br>2:1   |
|   |  |  |   | SHEET<br>1 OF 4  |
|   |  |  |   | REV<br>C   |

## X-ON Electronics

Largest Supplier of Electrical and Electronic Components

*Click to view similar products for [Lighting Connectors](#) category:*

*Click to view products by [TE Connectivity](#) manufacturer:*

Other Similar products are found below :

[293300-7](#) [293660-5](#) [CNX\\_H03\\_NTP](#) [30-9767-BU](#) [3605](#) [3-21030-1](#) [ZCH-110-RGB-I](#) [503471-0290](#) [ZCH-110-RGB-J](#) [217-0716-200](#)  
[1954563-1](#) [1-293657-2](#) [2834036-1](#) [2834037-1](#) [1-2213222-4](#) [2-2213222-4](#) [2213222-4](#) [2834122-3](#) [2834122-5](#) [2834135-2](#) [FLA-R4142-30](#)  
[FLA-R4162-30](#) [FLA-R2142-30](#) [FLA-R2141-30](#) [FLA-R2162-30](#) [FLA-R2161-30](#) [FLA-R0161-30](#) [FLA-R0141-30](#) [FLA-R0142-30](#) [FLA-](#)  
[R0162-30](#) [FLA-C00-00](#) [DGA00010553](#) [CNXV04NTP](#) [104128-0610](#) [503485-0000 \(Cut Strip\)](#) [503485-0000 \(Loose Piece\)](#) [503485-0000](#)  
[\(MINI Reel\)](#) [1-2834074-2](#) [1-2834074-3](#) [1357-AC PLUG W2C \(CHINA\)](#) [1357-AC PLUG W2 \(USA\)](#) [104266-0110](#) [2106212-1](#) [2-2834074-2](#)  
[104266-0210](#) [293470-1](#) [293651-2](#) [293651-4](#) [1-2834006-2](#) [293651-1](#)