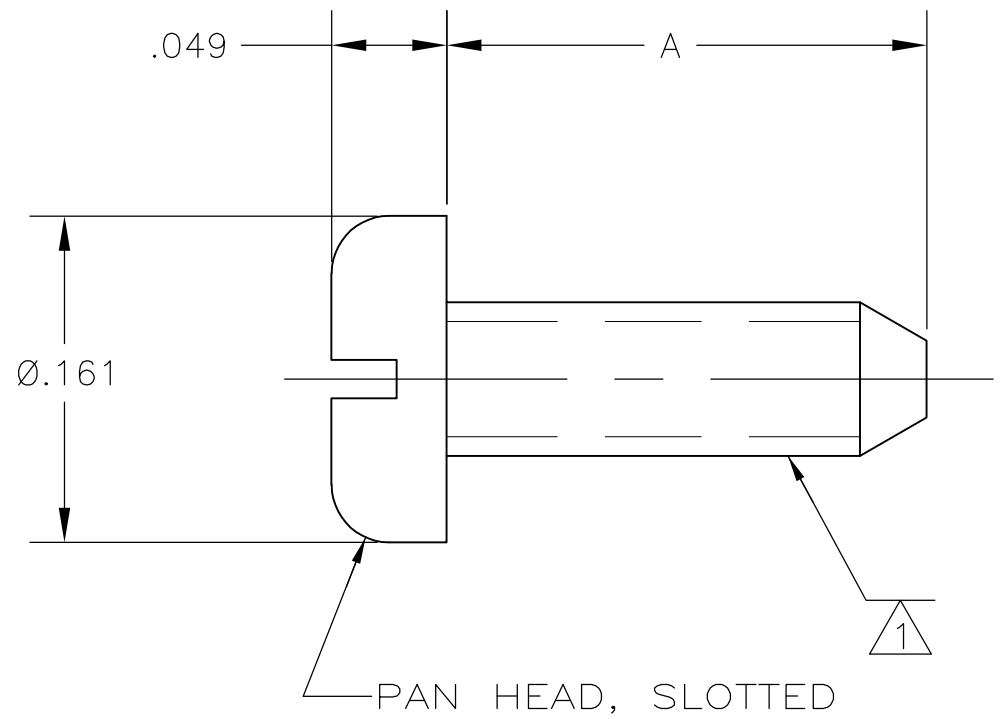


THIS DRAWING IS UNPUBLISHED. RELEASED FOR PUBLICATION
 © COPYRIGHT - By - ALL RIGHTS RESERVED.

LOC	DIST	REVISIONS					
		P	LTR	DESCRIPTION	DATE	DWN	APVD
AJ	16		P	REVISED PER ECO-11-005030	11MAR11	RK	HMR



- ① #2-56 SPECIAL THREAD-ROLLING SCREW THREAD
- ② CARBON STEEL PER AISI 1019-1022
- ③ ZINC PLATE

.250 MAX	9-221108-1
.312 MAX	9-221108-0
.250 MAX	221108-4
.312 MAX	221108-2
A DIM	PART NO

THIS DRAWING IS A CONTROLLED DOCUMENT.		DWN	M SYKES	02JUN2006	STE TE Connectivity													
DIMENSIONS: INCHES		CHK	DK SCHRUM	02JUN2006														
TOLERANCES UNLESS OTHERWISE SPECIFIED:		APVD	JT LIPPERT	02JUN2006	NAME													
<table border="0"> <tr> <td>0 PLC</td> <td>± -</td> </tr> <tr> <td>1 PLC</td> <td>± -</td> </tr> <tr> <td>2 PLC</td> <td>± -</td> </tr> <tr> <td>3 PLC</td> <td>± .008</td> </tr> <tr> <td>4 PLC</td> <td>± -</td> </tr> <tr> <td>ANGLES</td> <td>± -</td> </tr> </table>		0 PLC	± -	1 PLC	± -	2 PLC	± -	3 PLC	± .008	4 PLC	± -	ANGLES	± -	PRODUCT SPEC		SCREW, SELF TAPPING		
0 PLC	± -																	
1 PLC	± -																	
2 PLC	± -																	
3 PLC	± .008																	
4 PLC	± -																	
ANGLES	± -																	
MATERIAL		APPLICATION SPEC		RESTRICTED TO														
FINISH		WEIGHT		SIZE	CAGE CODE	DRAWING NO	RESTRICTED TO											
②		③		A3 00779		C-221108	-											
CUSTOMER DRAWING				SCALE	NTS	SHEET	1 OF 1											
				REV	P													

X-ON Electronics

Largest Supplier of Electrical and Electronic Components

Click to view similar products for [RF Connector Accessories](#) category:

Click to view products by [TE Connectivity](#) manufacturer:

Other Similar products are found below :

[89674-0712](#) [F702RX24](#) [FERRULE-174](#) [R141802000](#) [R141805000](#) [R141842000](#) [R161862000](#) [R161862000W](#) [R280752000](#) [R280907000](#)
[R694261906](#) [RFI21-13](#) [RFI75-13-D2](#) [RFI75-4-D2](#) [AX102906](#) [AX102907](#) [18097-0013](#) [HP-375](#) [HP-500](#) [2098-0294-00](#) [2098-3251-94](#) [KA-](#)
[81-05](#) [89674-0805](#) [F1](#) [FERRULE-223](#) [202102-11](#) [213337-1](#) [220222-2](#) [24092671A](#) [24092678A](#) [R161841000](#) [R280468000](#) [R280510000](#)
[R282862060](#) [RFI155-1](#) [RFI25-12-D3](#) [RFI25-5](#) [RFI25-5-D3](#) [RFI75-12-D2](#) [RFI75-2-D2](#) [RFI75-4-D3](#) [RFI77-6](#) [360HS001M2508M6](#) [4-](#)
[1532137-4](#) [5-21085-0](#) [105274-1000](#) [111062-0490](#) [112122-SOD-LUG](#) [112-NUT-KNURL](#) [IPP-2014](#)