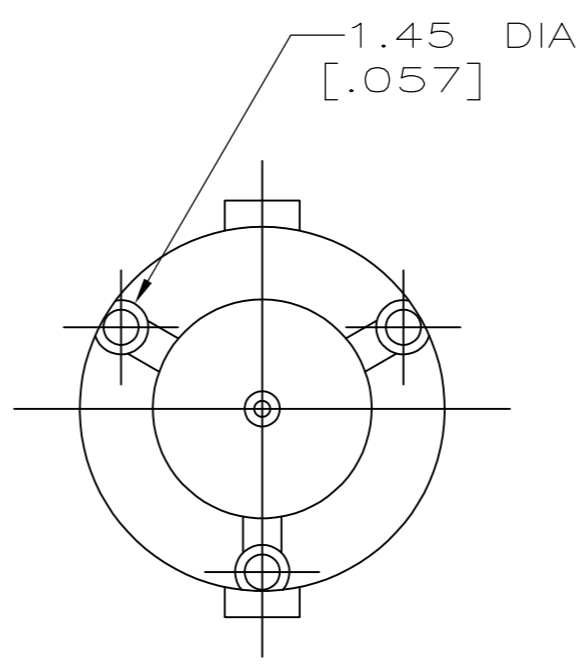
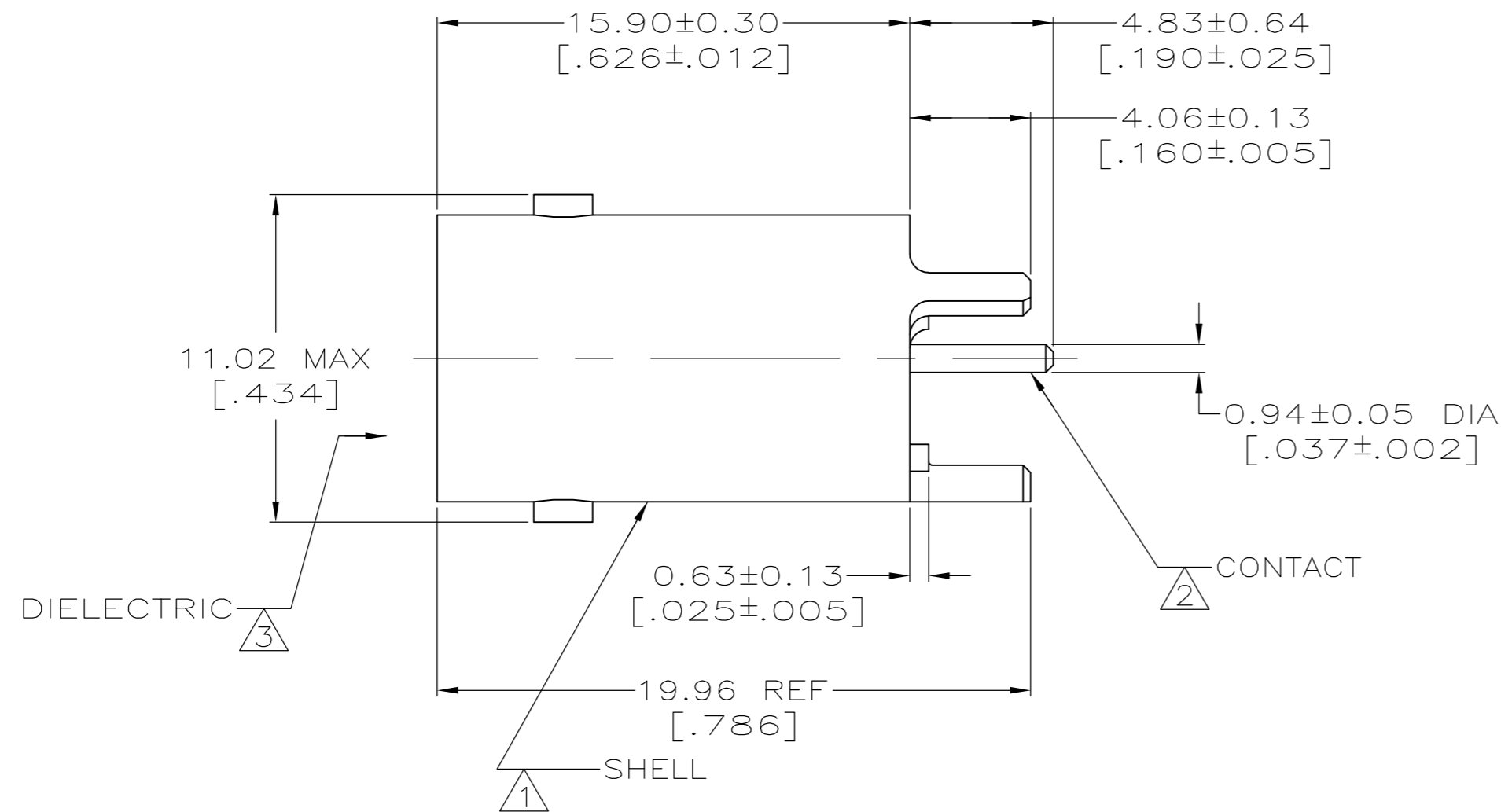
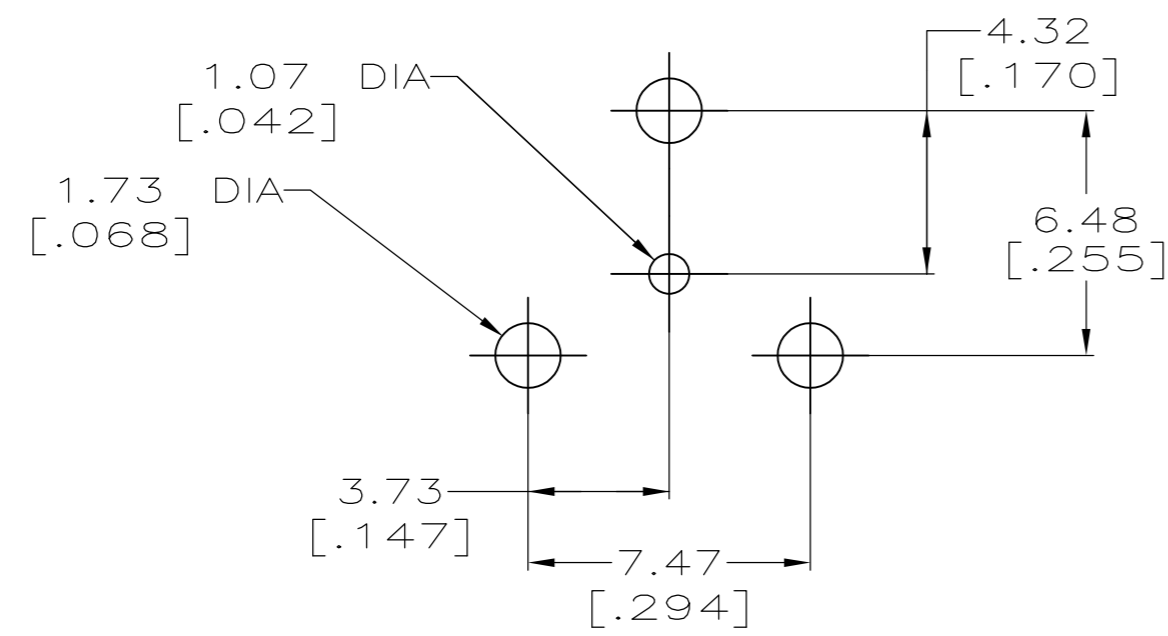


THIS DRAWING IS UNPUBLISHED. RELEASED FOR PUBLICATION
 © COPYRIGHT - TE Connectivity ALL RIGHTS RESERVED.

REVISIONS					
P	LTR	DESCRIPTION	DATE	DWN	APVD
H3		REVISED PER ECO-17-011149	02AUG2017	AS	RS



- 1 ZINC PER QQ-Z-363.
- 2 PHOSPHOR BRONZE PER ASTM-B-139.
- 3 POLYESTER PER ASTM-D-3220.
- 4 TIN PLATE PER ASTM-B-545, 2.54 μm [.000100] MIN THICK.
- 5 GOLD PLATE PER MIL-G-45204 0.76 μm [.000030] MINIMUM THICK.
- 6 SILVER PLATE PER QQ-S-365 2.54 μm [.000100] MINIMUM THICK.
- 7. FOR USE WITH .095 MAX THK PC BOARD.
- 8. SEE INSTRUCTION SHEET 408-9889.
- 9 TIN-LEAD PLATE PER ASTM-B-545, 2.54μm [.000100] MIN THICK.



OBSOLETE	4	5	9-221123-0
OBSOLETE	9	4	221123-3
OBSOLETE	9	5	221123-2
OBSOLETE	9	6	221123-1
	SHELL PLATING	CONTACT PLATING	PART NUMBER

THIS DRAWING IS A CONTROLLED DOCUMENT.		DWN J. LIPPERT 1-18-93	TE TE Connectivity	
DIMENSIONS: mm [INCHES]		CHK A. GABANY 1-19-93		
TOLERANCES UNLESS OTHERWISE SPECIFIED:		APVD A. GABANY 1-19-93	NAME JACK, VERTICAL, PCB, 50 Ohm, COMMERCIAL BNC	
0 PLC ± -		PRODUCT SPEC 108-12078	SIZE A2 CAGE CODE 00779 C=221123	
1 PLC ± -		APPLICATION SPEC	DRAWING NO	
2 PLC ± 0.08 [.003]			RESTRICTED TO	
3 PLC ± -			SCALE 5:1 SHEET 1 OF 1 REV H3	
4 PLC ± -				
ANGLES ± -				
FINISH		WEIGHT 0.000000		
SEE NOTES 1 - 3		CUSTOMER DRAWING		
SEE NOTES 4 - 6				

X-ON Electronics

Largest Supplier of Electrical and Electronic Components

Click to view similar products for [RF Connectors](#) / [Coaxial Connectors](#) category:

Click to view products by [TE Connectivity](#) manufacturer:

Other Similar products are found below :

[8915-1511-000](#) [89674-0827](#) [6001-7071-019](#) [6002-7051-003](#) [6002-7551-202](#) [6059674-1](#) [619550-1](#) [630059-000](#) [M39030/3-01N](#) [6500-7071-046](#) [6769](#) [CX050L2AQ](#) [7002-1541-010](#) [7002-1542-011](#) [7004-1512-000](#) [7009-1511-004](#) [7010-1511-000](#) [7029-1511-060](#) [7101-1541-010](#) [7101-1571-002](#) [7145-1521-002](#) [7203-1571-003](#) [7209-1511-011](#) [7210-1511-015](#) [7210-1511-019](#) [73137-5015](#) [73216-2241](#) [73404-2300](#) [7405-1521-005](#) [7405-1521-802](#) [8527](#) [8547](#) [FS11V](#) [877931](#) [8808-1511-001](#) [9049-9513-000](#) [9074-9513-000](#) [9101-9573-002](#) [910A205F](#) [9130-9573-002](#) [PL11SC-026](#) [PL375-33](#) [PL40-5](#) [PL74C-221](#) [PL75MC-217](#) [PL803-7](#) [1200690078](#) [1-201144-1](#) [R107003010W](#) [R110A172100](#)