

REVISIONS				
REV	DESCRIPTION	DATE	BY	APP'D
AD4	REVISED PER ECN-21-102997	28APR2021	RZ	WK

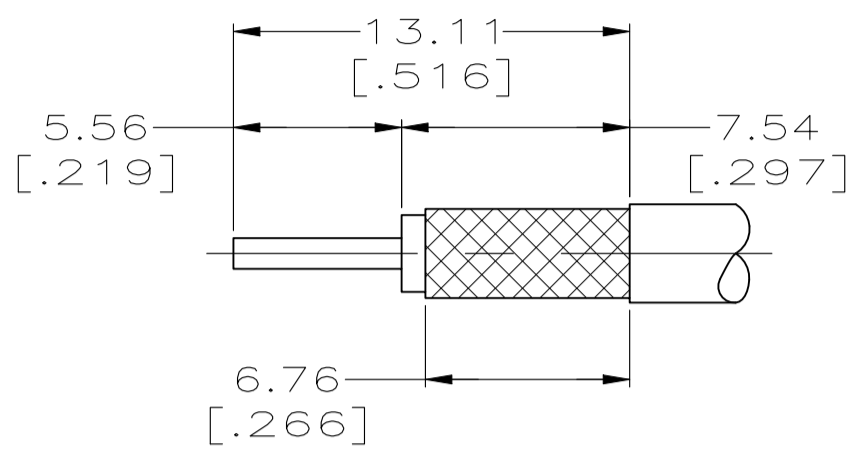
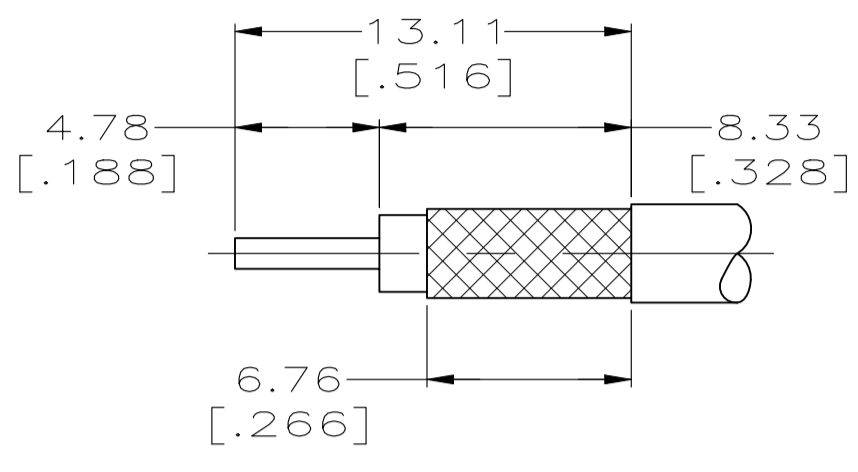
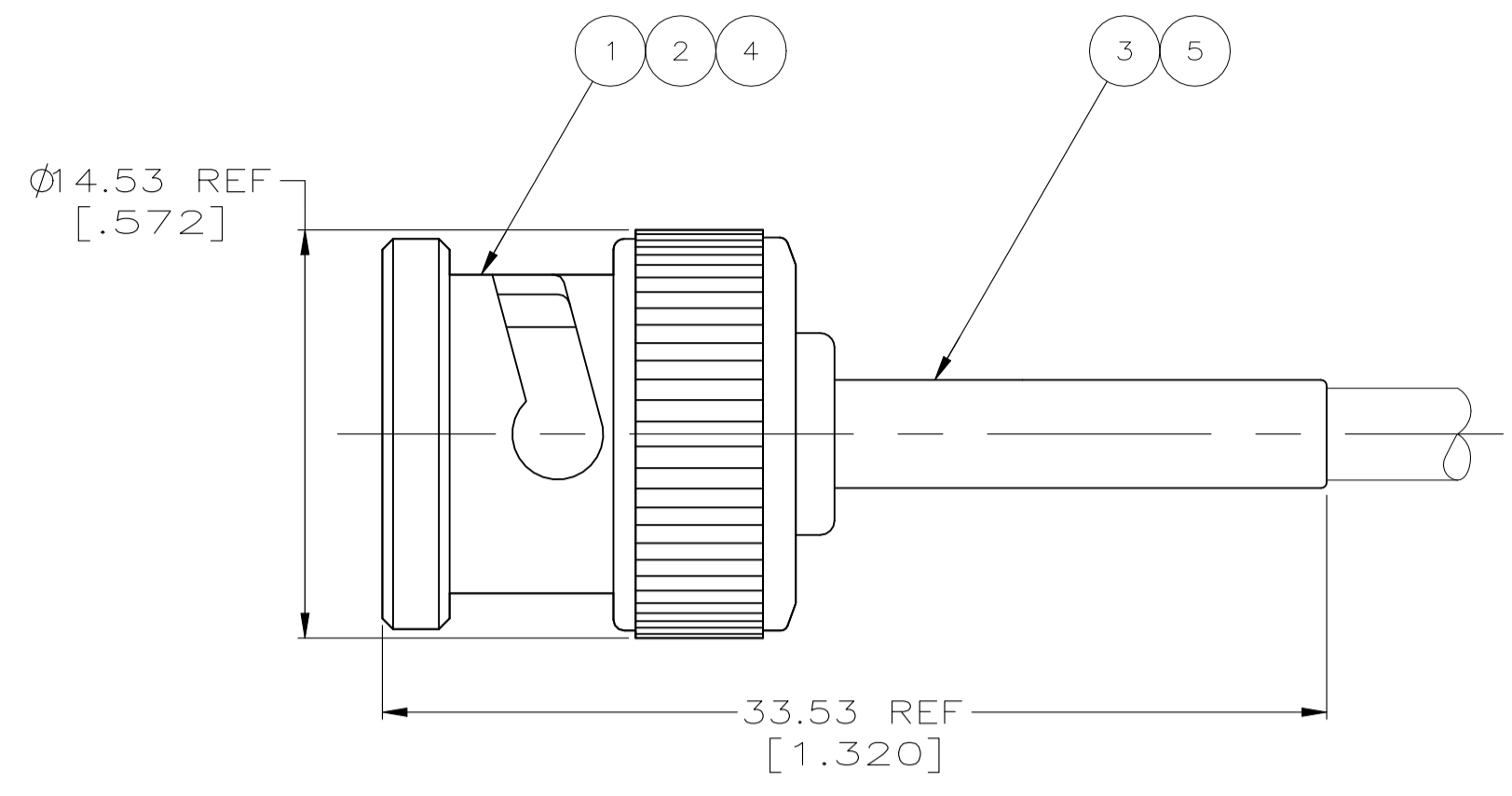


FIGURE 1  
FIGURE 2  
RECOMMENDED STRIP LENGTH

- ① CABLE USED WITHOUT SPACER
- ② CABLE USED WITH SPACER
- 3. SEE I.S. 9021
- 4. PARTS PACKAGED UNASSEMBLED
- ⑤ USE AMP HAND TOOL: 220190-1
- ⑥ SPECIAL PACKAGING: INDIVIDUALLY PACKAGED IN PRE-PRINTED BAG WITH SPECIAL GRAPHICS
- ⑦ CONNECTOR INDIVIDUALLY PACKAGED
- ⑧ BULK PACKAGE
- ⑨ RG-188/U, 316/U TYPE DOUBLE BRAID AND JIS CABLES 1.5D-2V, 1.5D-XV & 1.5D-XVS
- ⑩ SPECIAL PACKAGING: BULK PACKAGE 25 PIECES

REMARKS	FOR USE WITH CABLE	FERRULE	CONTACT	DIE SET	STRIP LENGTH	TUBING QTY=1	SPACER QTY=1	FERRULE QTY=1	CONTACT, PLUG QTY=1	PLUG ASSEMBLY QTY=1	PART NUMBER
OBSOLETE	RG-59/U, 59A/U, 59B/U	6.48 [.255]	1.73 [.068]	58465-1	FIG 1	-	227423-1	9-221132-1	222246-6	413636-2	9-221128-9
OBSOLETE	BELDEN 9907, 89907 & RG-141/U	5.41 [.213]	1.73 [.068]	58465-1	FIG 1	-	-	9-221132-0	1-222246-6	413636-1	9-221128-8
OBSOLETE	RG-180/U, 195/U	4.52 [.178]	1.73 [.068]	58465-3	FIG 1	-	-	9-413658-1	1-222246-3	413636-3	9-221128-7
	RG-179/U, 187/U	4.52 [.178]	1.73 [.068]	58465-3	FIG 1	227194-1	-	9-413658-0	1-222246-3	413636-3	9-221128-6
	RG-174/U, 188/U, 316/U	4.52 [.178]	1.73 [.068]	58465-3	FIG 1	227194-1	-	9-413658-0	1-222246-0	413636-3	9-221128-5
OBSOLETE	RG-58/U, 58A/U, 58B/U, 58C/U	5.41 [.213]	1.73 [.068]	58465-1	FIG 1	-	-	9-221132-0	222246-5	413636-1	9-221128-4
OBSOLETE	BELDEN 8281	8.23 [.324]	1.73 [.068]	58465-2	FIG 1	-	-	9-221132-2	222246-2	413636-4	9-221128-3
OBSOLETE	RG-62/U, 62A/U, 62B/U	6.48 [.255]	1.73 [.068]	58465-1	FIG 2	-	-	9-221132-2	222246-2	413636-4	9-221128-3
OBSOLETE	RG-59/U, 59A/U, 59B/U	6.48 [.255]	1.73 [.068]	58465-1	FIG 1	-	227423-1	9-221132-1	222246-4	413636-2	9-221128-2
OBSOLETE	RG-58/U, 58A/U, 58B/U, 58C/U	5.41 [.213]	1.73 [.068]	58465-1	FIG 1	-	-	9-221132-0	222246-2	413636-1	9-221128-1
OBSOLETE	RG-58/U, 58A/U, 58B/U, 58C/U	5.41 [.213]	1.73 [.068]	58465-1	FIG 1	-	-	9-221132-0	222246-2	413636-1	9-221128-0
OBSOLETE	BELDEN 1167A	4.52 [.178]	1.73 [.068]	58465-3	FIG 1	-	-	9-413658-1	1-222246-0	413636-3	3-221128-4
OBSOLETE	JIS CABLE 3D-2V	4.52 [.178]	1.73 [.068]	58465-3	FIG 1	227194-1	-	9-413658-2	1-222246-0	413636-3	3-221128-2
SUPERSEDED BY 2-221128-5	RG-180/U, 195/U	4.52 [.178]	1.73 [.068]	58465-3	FIG 1	-	-	8-221132-9	1-222246-6	413636-6	3-221128-1
OBSOLETE	BELDEN 9907, 89907 & RG-141/U	5.41 [.213]	1.73 [.068]	58465-3	FIG 1	227194-1	-	9-413658-1	1-222246-3	413636-3	3-221128-0
OBSOLETE	RG-180/U, 195/U	4.52 [.178]	1.73 [.068]	58465-3	FIG 1	-	-	9-221132-0	1-222246-3	413636-3	2-221128-7
OBSOLETE	RG-179/U, 187/U	4.52 [.178]	1.73 [.068]	58465-3	FIG 1	-	-	9-413658-1	1-222246-3	413636-3	2-221128-5
SUPERSEDED BY 2-5221128-1	RG-174/U, 188/U, 316/U	4.52 [.178]	1.73 [.068]	58465-3	FIG 1	227194-1	-	9-413658-0	1-222246-3	413636-3	2-221128-3
OBSOLETE	RG-58/U, 58A/U, 58B/U, 58C/U	5.41 [.213]	1.73 [.068]	58465-1	FIG 1	-	-	9-413658-0	1-222246-0	413636-3	2-221128-1
SUPERSEDED BY 1-221128-2	BELDEN 8281	8.23 [.324]	1.73 [.068]	58465-2	FIG 1	-	-	9-221132-0	222246-5	413636-1	2-221128-0
	RG-59/U, 59A/U, 59B/U	6.48 [.255]	1.73 [.068]	58465-2	FIG 1	-	-	9-221132-2	222246-5	413636-4	1-221128-9
	BELDEN 9266	6.48 [.255]	1.73 [.068]	58465-1	FIG 1	-	227423-1	9-221132-1	222246-6	413636-2	1-221128-8
OBSOLETE	BELDEN 9209	6.48 [.255]	1.73 [.068]	58465-1	FIG 1	-	-	9-221132-1	222246-2	413636-2	1-221128-7
SUPERSEDED BY 1-221128-2	BELDEN 8281	8.23 [.324]	1.73 [.068]	58465-1	FIG 1	-	-	9-221132-1	222246-6	413636-5	1-221128-6
	RG-62/U, 62A/U, 62B/U	6.48 [.255]	1.73 [.068]	58465-2	FIG 1	-	-	9-221132-2	222246-5	413636-4	1-221128-5
	RG-59/U, 59A/U, 59B/U	6.48 [.255]	1.73 [.068]	58465-2	FIG 1	-	-	9-221132-2	222246-5	413636-4	1-221128-5
	RG-58/U, 58A/U, 58B/U, 58C/U	5.41 [.213]	1.73 [.068]	58465-1	FIG 1	-	-	9-221132-2	222246-5	413636-4	1-221128-5
	BELDEN 8281	8.23 [.324]	1.73 [.068]	58465-2	FIG 1	-	-	9-221132-2	222246-5	413636-4	1-221128-5
	RG-62/U, 62A/U, 62B/U	6.48 [.255]	1.73 [.068]	58465-1	FIG 2	-	-	9-221132-1	222246-2	413636-2	1-221128-4
	RG-59/U, 59A/U, 59B/U	6.48 [.255]	1.73 [.068]	58465-1	FIG 1	-	227423-1	9-221132-1	222246-6	413636-2	1-221128-4
	RG-58/U, 58A/U, 58B/U, 58C/U	5.41 [.213]	1.73 [.068]	58465-1	FIG 1	-	-	9-221132-0	222246-5	413636-1	1-221128-3
	BELDEN 8281	8.23 [.324]	1.73 [.068]	58465-2	FIG 1	-	-	9-221132-2	222246-2	413636-4	1-221128-2
	RG-62/U, 62A/U, 62B/U	6.48 [.255]	1.73 [.068]	58465-1	FIG 2	-	-	9-221132-2	222246-2	413636-4	1-221128-2
	RG-59/U, 59A/U, 59B/U	6.48 [.255]	1.73 [.068]	58465-1	FIG 1	-	227423-1	9-221132-1	222246-4	413636-2	1-221128-1
	RG-58/U, 58A/U, 58B/U, 58C/U	5.41 [.213]	1.73 [.068]	58465-1	FIG 1	-	-	9-221132-0	222246-2	413636-1	1-221128-0
OBSOLETE	BELDEN 8281	8.23 [.324]	1.73 [.068]	58465-2	FIG 1	-	-	9-221132-2	222246-7	413636-4	221128-9
	RG-62/U, 62A/U, 62B/U	6.48 [.255]	1.73 [.068]	58465-1	FIG 2	-	-	9-221132-2	222246-7	413636-4	221128-9
	RG-59/U, 59A/U, 59B/U	6.48 [.255]	1.73 [.068]	58465-1	FIG 1	-	227423-1	9-221132-1	222246-8	413636-2	221128-8
	RG-58/U, 58A/U, 58B/U, 58C/U	5.41 [.213]	1.73 [.068]	58465-1	FIG 1	-	-	9-221132-0	222246-7	413636-1	221128-7
SUPERSEDED BY 221128-3	BELDEN 8281	8.23 [.324]	1.73 [.068]	58465-2	FIG 1	-	-	9-221132-2	222246-5	413636-4	221128-6
	RG-62/U, 62A/U, 62B/U	6.48 [.255]	1.73 [.068]	58465-1	FIG 2	-	-	9-221132-2	222246-7	413636-4	221128-6
SUPERSEDED BY 221128-2	RG-59/U, 59A/U, 59B/U	6.48 [.255]	1.73 [.068]	58465-1	FIG 1	-	227423-1	9-221132-1	222246-6	413636-2	221128-5
	RG-58/U, 58A/U, 58B/U, 58C/U	5.41 [.213]	1.73 [.068]	58465-1	FIG 1	-	-	9-221132-0	222246-5	413636-1	221128-4
SUPERSEDED BY 221128-1	BELDEN 8281	8.23 [.324]	1.73 [.068]	58465-2	FIG 1	-	-	9-221132-2	222246-2	413636-4	221128-3
	RG-62/U, 62A/U, 62B/U	6.48 [.255]	1.73 [.068]	58465-1	FIG 2	-	-	9-221132-2	222246-2	413636-4	221128-3
	RG-59/U, 59A/U, 59B/U	6.48 [.255]	1.73 [.068]	58465-1	FIG 1	-	227423-1	9-221132-1	222246-4	413636-2	221128-2
	RG-58/U, 58A/U, 58B/U, 58C/U	5.41 [.213]	1.73 [.068]	58465-1	FIG 1	-	-	9-221132-0	222246-2	413636-1	221128-1

THIS DRAWING IS A CONTROLLED DOCUMENT.

DIN M. E. COWHER 11-18-92  
C/W 1-29-93

M. PHILLIPS 1-29-93

M. PHILLIPS 1-29-93

NAME

PRODUCT SPEC

APPLICATION SPEC

408-9021

WEIGHT 0.000000

CUSTOMER DRAWING

SIZE A1

CAGE CODE 00779

DRAWING NO. C=221128

SCALE 4:1

SHEET 1 of 1

REV AD4

PLUG, COMMERCIAL BNC

TE Connectivity

## X-ON Electronics

Largest Supplier of Electrical and Electronic Components

*Click to view similar products for [RF Connectors / Coaxial Connectors](#) category:*

*Click to view products by [TE Connectivity](#) manufacturer:*

Other Similar products are found below :

[8915-1511-000](#) [89674-0827](#) [6001-7071-019](#) [6002-7051-003](#) [6002-7551-202](#) [6059674-1](#) [619550-1](#) [630059-000](#) [M39030/3-01N](#) [6500-7071-046](#) [6769](#) [CX050L2AQ](#) [7002-1541-010](#) [7002-1542-011](#) [7004-1512-000](#) [7009-1511-004](#) [7010-1511-000](#) [7029-1511-060](#) [7101-1541-010](#) [7101-1571-002](#) [7105-1521-002](#) [7145-1521-002](#) [7203-1571-003](#) [7209-1511-011](#) [7210-1511-015](#) [7210-1511-019](#) [73137-5015](#) [73216-2241](#) [73404-2300](#) [7405-1521-005](#) [7405-1521-802](#) [8527](#) [8547](#) [FS11V](#) [877931](#) [8808-1511-001](#) [9074-9513-000](#) [9101-9573-002](#) [910A205F](#) [9130-9573-002](#) [PL11SC-026](#) [PL375-33](#) [PL40-5](#) [PL74C-221](#) [PL75MC-217](#) [PL803-7](#) [1200690078](#) [1-201144-1](#) [R107003010W](#) [R110A172100](#)