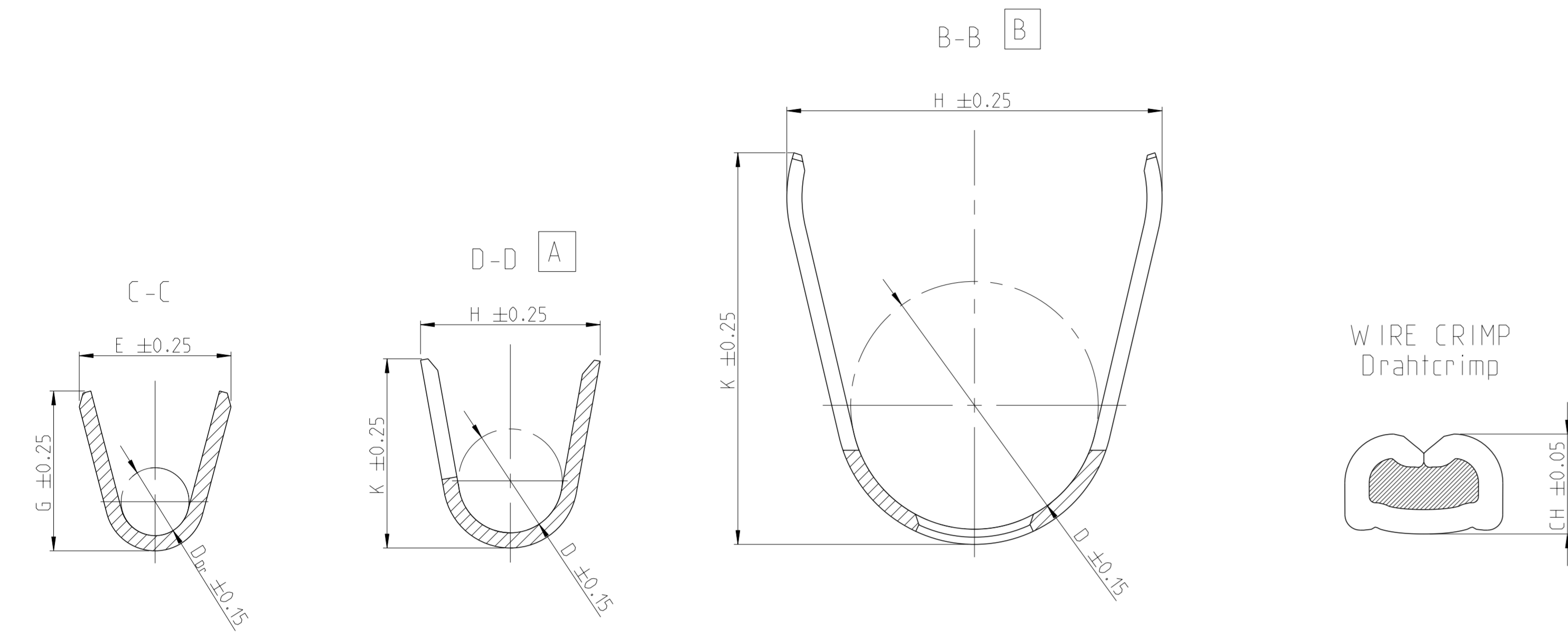


NOTES
Bemerkungen

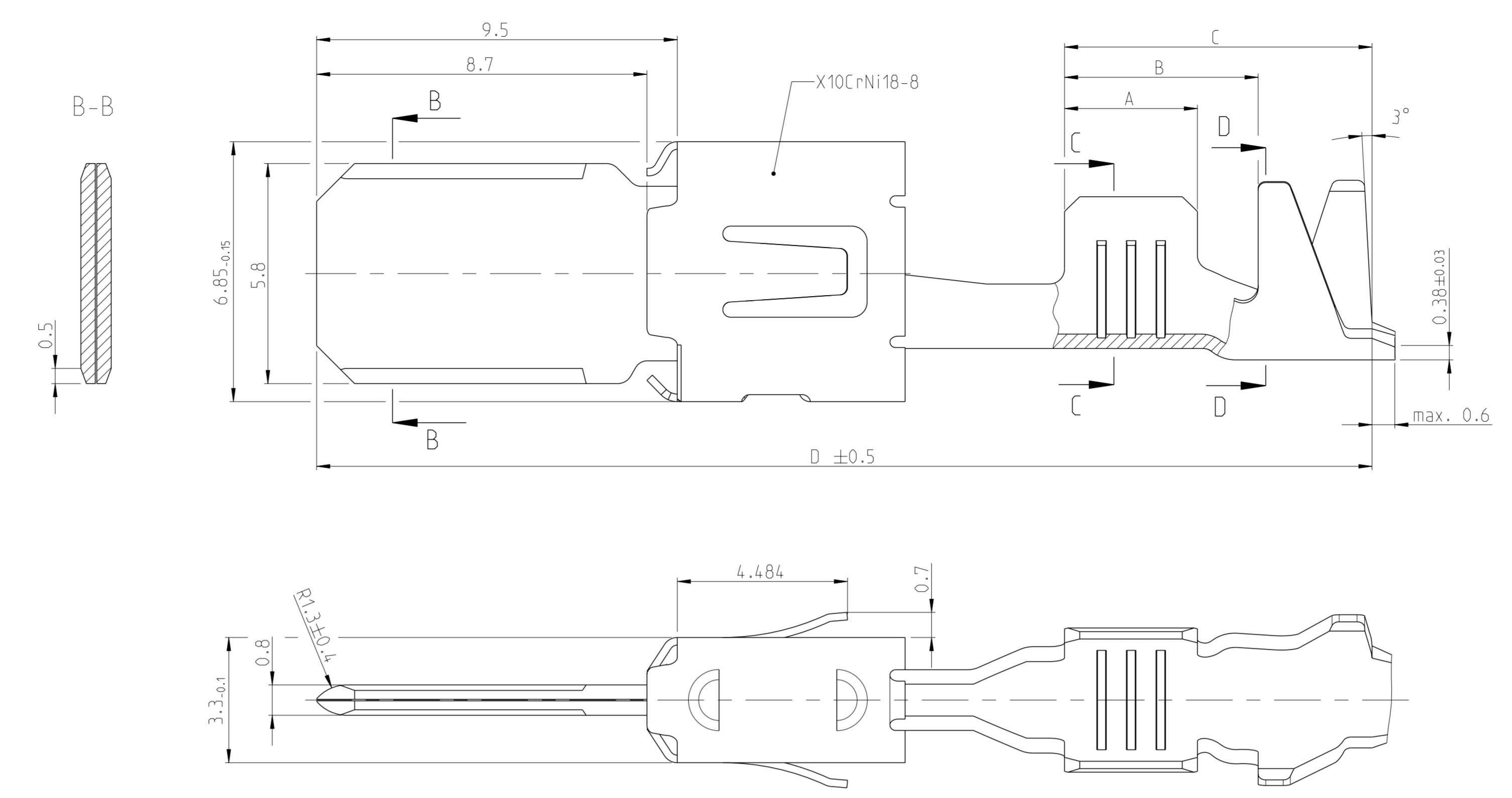
CONTACT AREA PRE SILVER MIN. 3µm
OTHER AREA PRE SILVER MIN. 1µm
SPRING BLANK
Kontaktzone vorversilbert min. 3µm
uebriger Bereich vorversilbert min. 1µm
Ueberfeder blank

PRE TIN MIN. 1µm
SPRING BLANK
Vorverzinkt min. 1µm
Ueberfeder blank

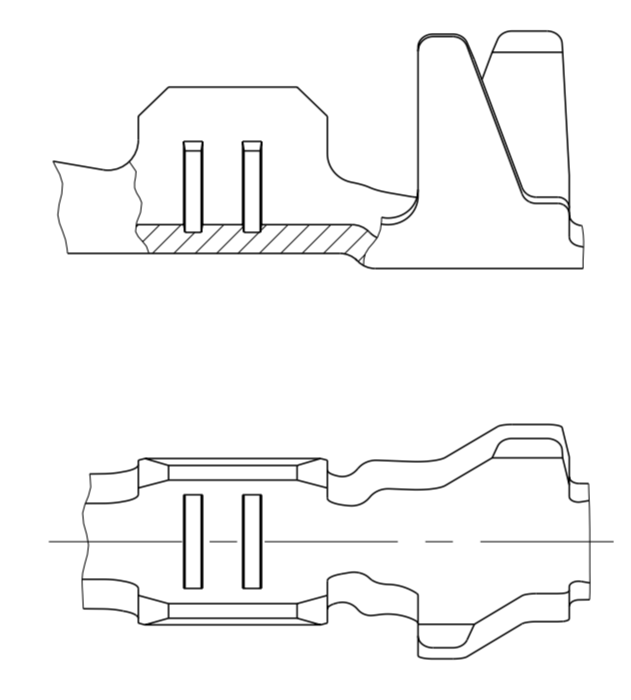


FLR-/FLK-WIRE
FLR-/FLK-Leitung

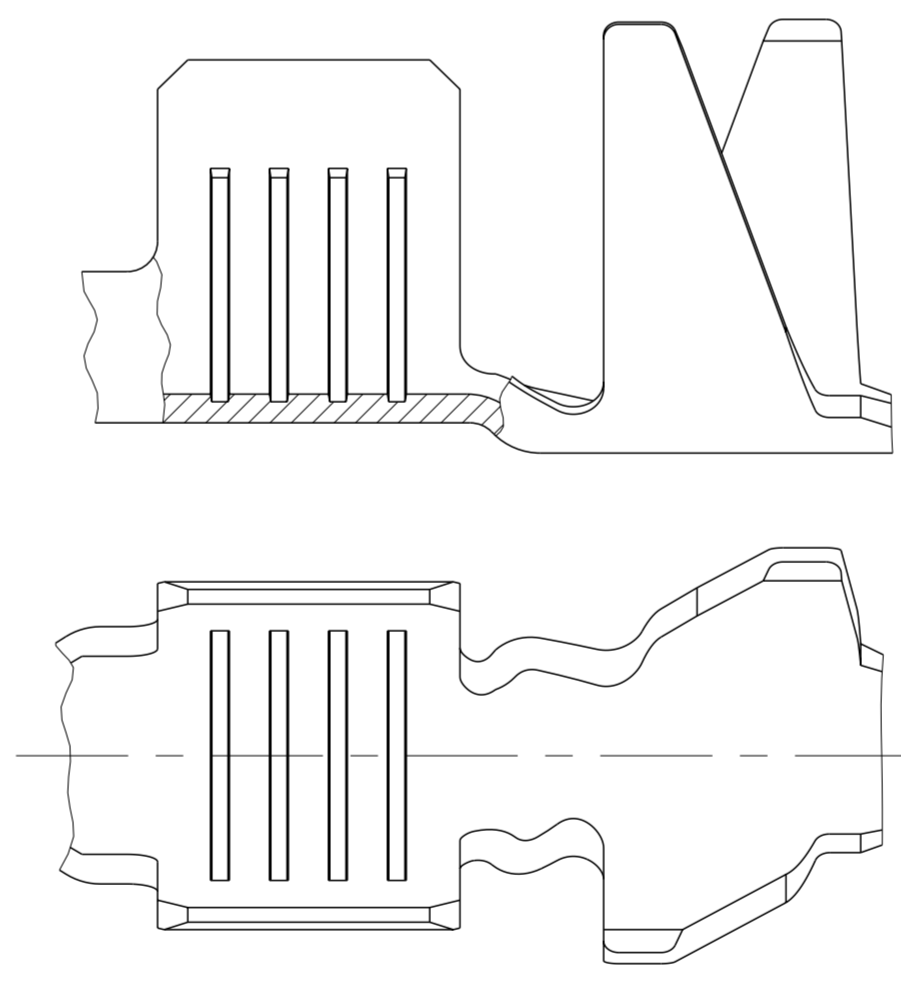
DESIGN 1
Ausfuehrung 1



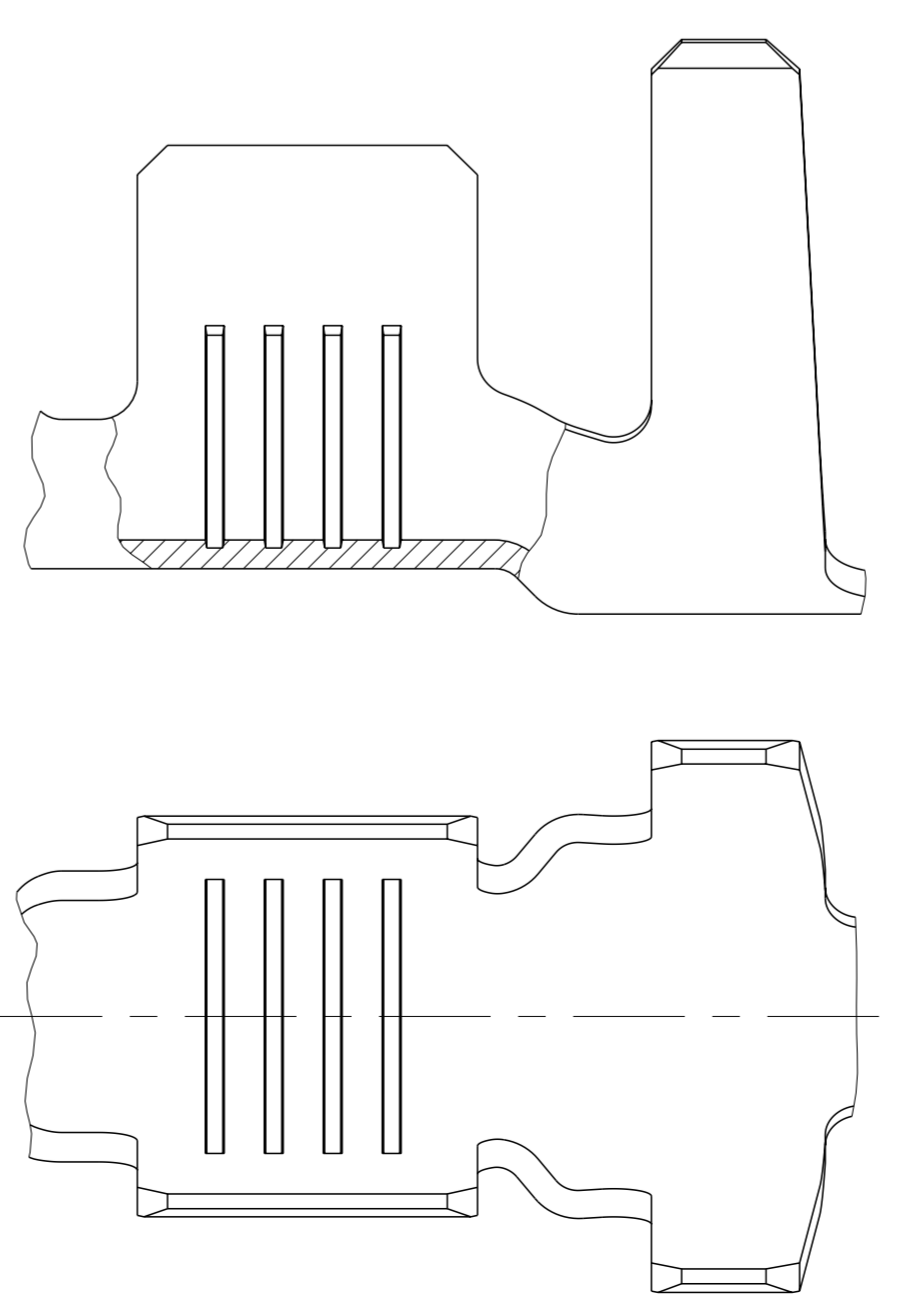
DESIGN 2
Ausfuehrung 2



DESIGN 3
Ausfuehrung 3

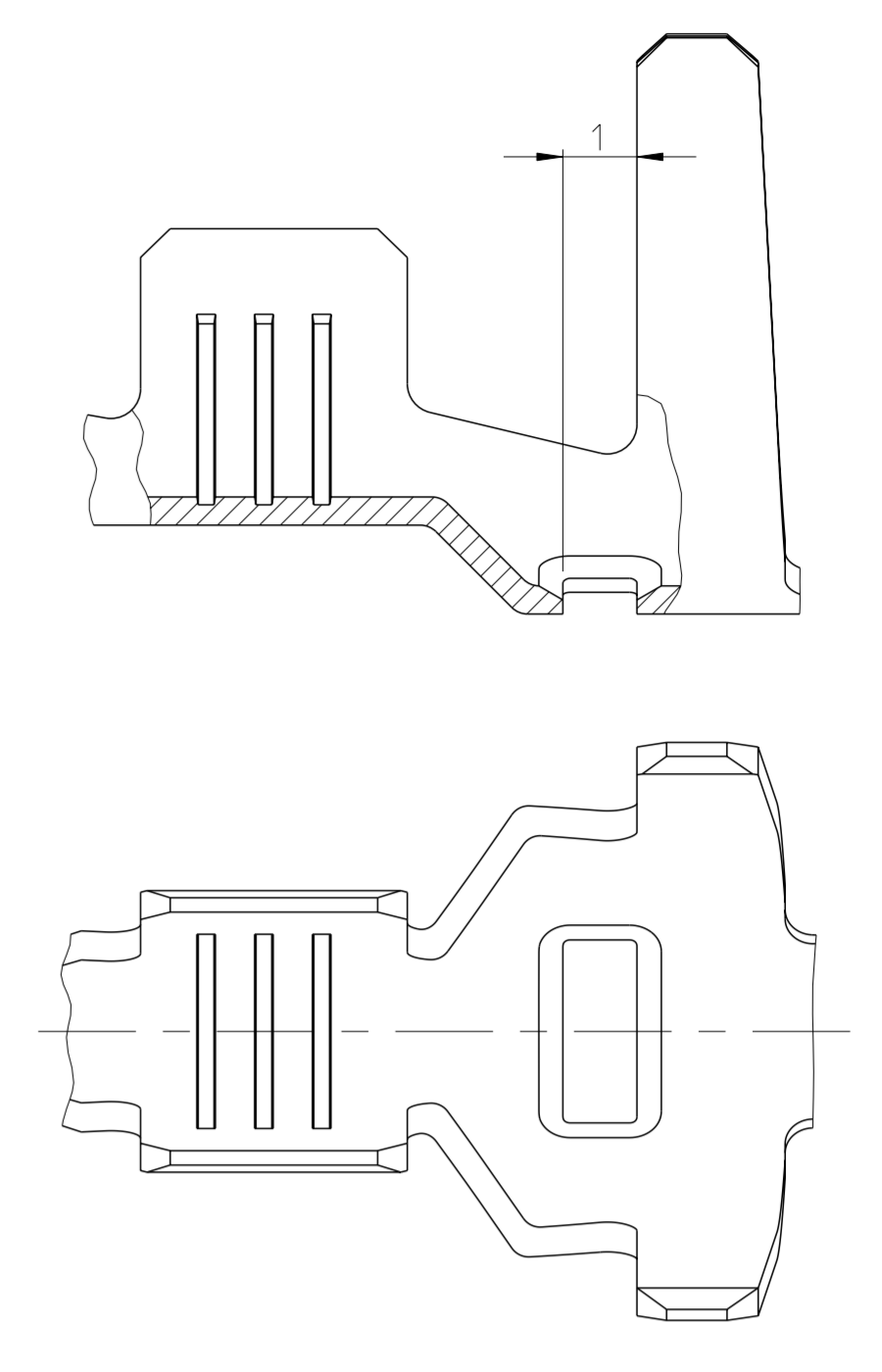


DESIGN 4
Ausfuehrung 4

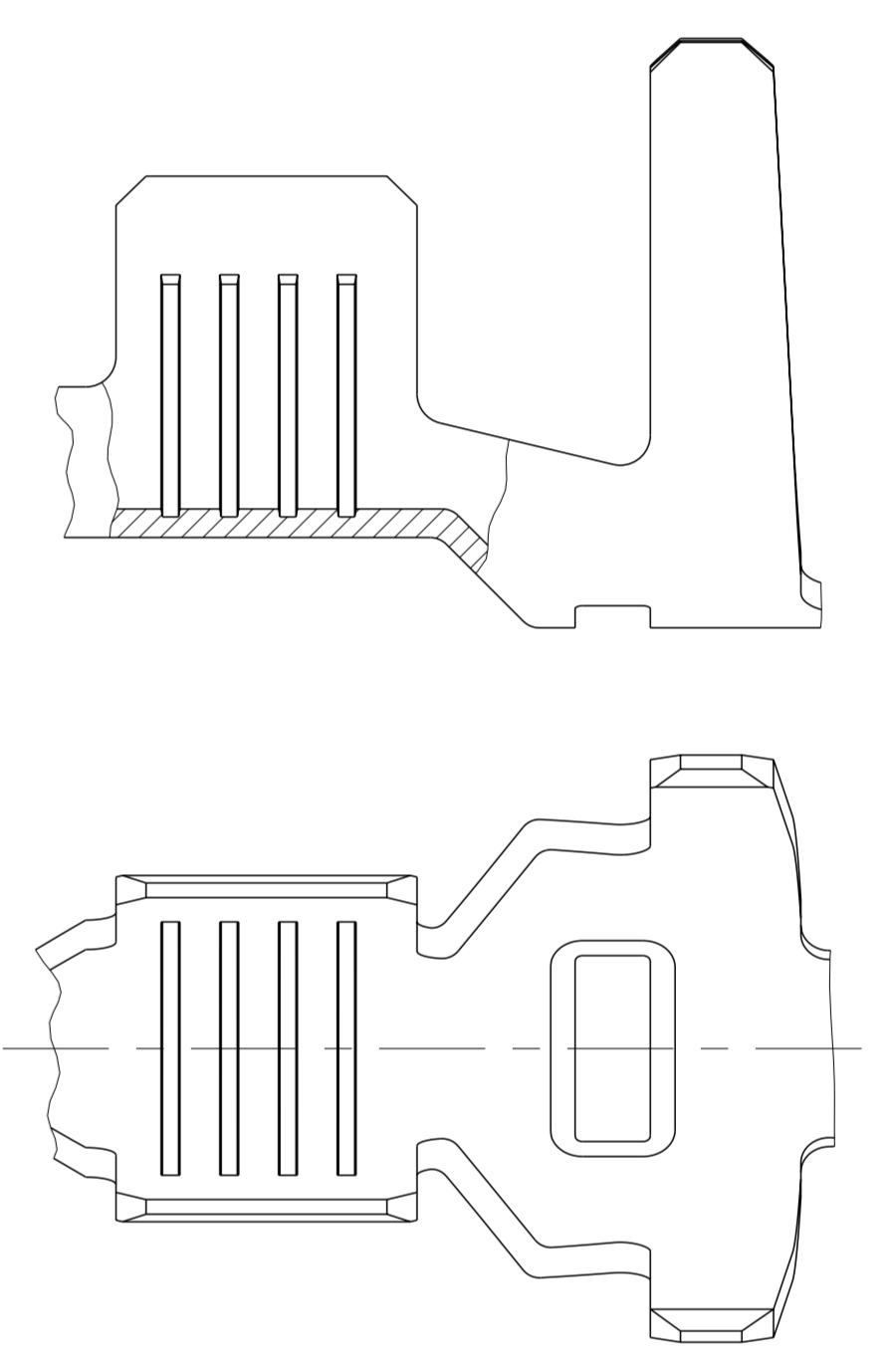


SINGLE WIRE SEAL
Einzeldichtungssystem

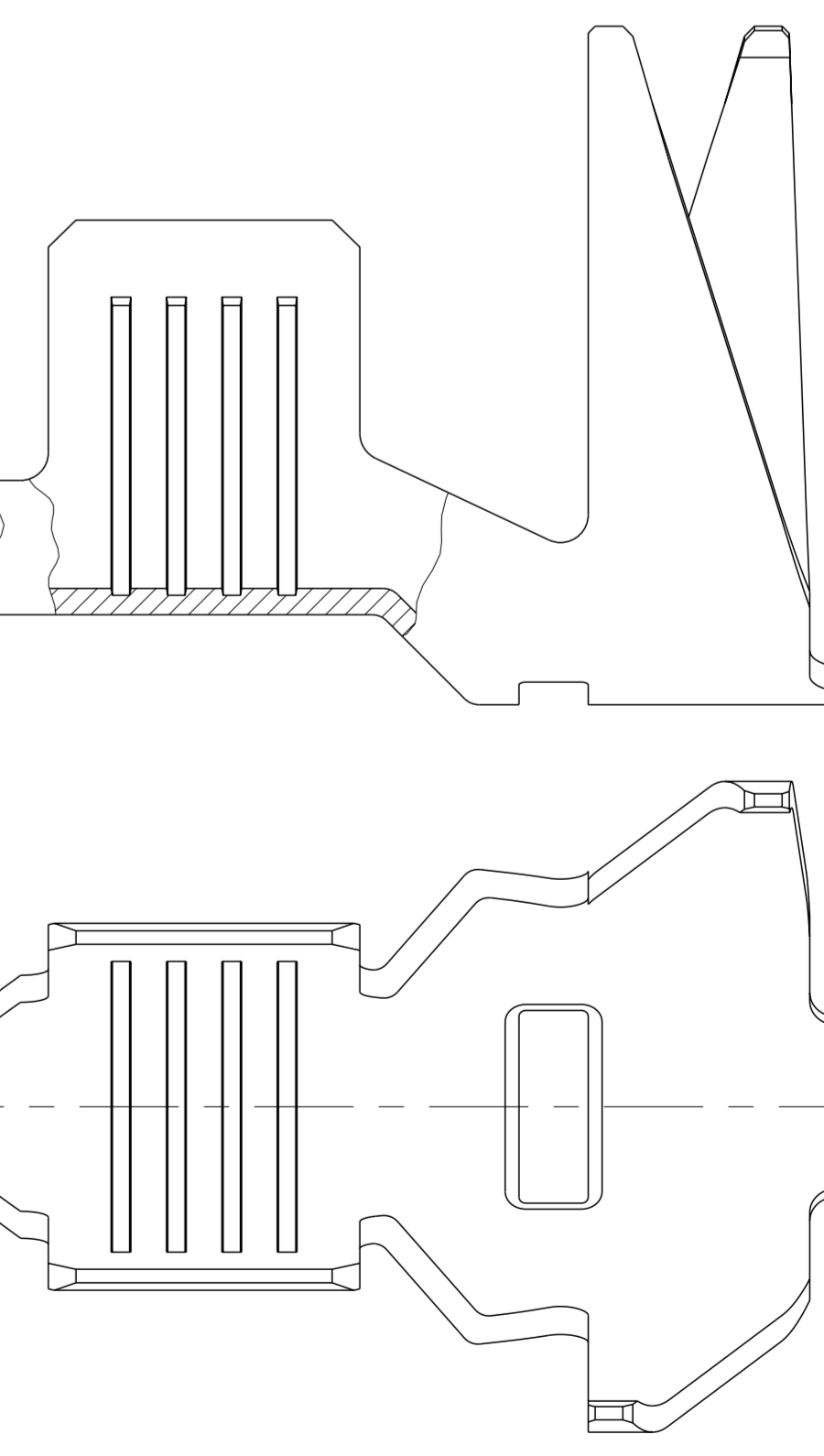
DESIGN 5
Ausfuehrung 5



DESIGN 6
Ausfuehrung 6

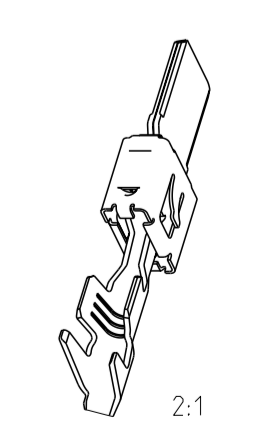


DESIGN 7
Ausfuehrung 7



SINGLE WIRE SEAL / Einzeldichtungssystem	REV.	DESIGN	MATERIAL	SURFACE	DGB	SEE / siehe	SEE / siehe	SEE / siehe	APPLICATION TOOL	EXTRACTION TOOL	A	B	C	D
						SECTION A-A	SECTION B-B	WIRE CRIMP						
2-2112966-2	A	7	CuFe2	△	6.0 AWG 10	E = 5.3 G = 5.7 D _{Dr} = 2.9	H = 9.4 K = 9.8 D = 6.2	6.0 mm ² = 2.35 AWG 10 = 2.30	1855636-6		4.5	7.8	11.0	29.3
2-962919-2	E	6	CuFe2	△	4.0	E = 4.6 G = 4.8 D _{Dr} = 2.3	H = 7.8 K = 7.8 D = 5.5	4.0 mm ² = 2.34	2-878567-2		4.0	7.1	9.1	28.3
1-962919-2	D		CuSn4	△					539757-2					
1-962919-1	D		CuSn4	△										
2-962918-2	E	5	CuFe2	△	>1.0 - 2.5	E = 3.8 G = 4.0 D _{Dr} = 1.7	H = 7.8 K = 7.8 D = 5.5	2.5 mm ² = 1.97 2.0 mm ² = 1.83 1.5 mm ² = 1.69	2-878566-2		3.6	6.7	8.7	28.3
2-962918-1	E		CuSn4	△					539757-2					
1-962918-2	D		CuSn4	△										
1-962918-1	D	CuSn4	△											
2-962917-1	E	5	CuFe2	△	0.5 - 1.0	E = 2.8 G = 3.0 D _{Dr} = 1.1	H = 7.8 K = 7.8 D = 5.5	1.0 mm ² = 1.56 0.75 mm ² = 1.47 0.5 mm ² = 1.38	2-878565-2		3.0	6.1	8.1	28.3
1-962917-2	D		CuSn4	△					539757-2					
1-962917-1	D		CuSn4	△										
2-968050-1	A	4	CuFe2	△	6.0	E = 5.3 G = 5.6 D _{Dr} = 2.9	H = 7.3 K = 7.6 D = 4.6	6.0 mm ² = 2.55 4.0 mm ² = 2.17	2-878968-2		4.5	6.8	9.1	28.8
1-968050-1	A		CuSn4	△					4.0					
2-962846-1	D	3	CuFe2	△	4.0	E = 4.6 G = 4.8 D _{Dr} = 2.4	H = 6.7 K = 7.0 D = 4.0	4.0 mm ² = 2.33	2-878564-2		4.0	6.0	10.8	30.5
1-962846-2	C		CuSn4	△					539759-2					
1-962846-1	C		CuSn4	△										
1-962845-2	D	1	CuSn4	△	>1.0 - 2.5	E = 3.8 G = 4.0 D _{Dr} = 1.7	H = 5.7 K = 5.9 D = 3.2	2.5 mm ² = 1.97 2.0 mm ² = 1.83 1.5 mm ² = 1.69	2-878563-2		3.6	5.2	9.0	28.7
1-962845-1	D		CuSn4	△					539759-2					
2-968050-2	A	4	CuFe2	△	6.0	E = 5.3 G = 5.6 D _{Dr} = 2.9	H = 7.3 K = 7.6 D = 4.6	6.0 mm ² = 2.35	2836646		4.5	6.8	9.1	28.8
2-963736-2	C		CuSn4	△					4.0					
2-963736-1	C	3	CuFe2	△	4.0	E = 4.6 G = 4.8 D _{Dr} = 2.3	H = 5.5 K = 5.7 D = 3.2	4.0 mm ² = 2.33	2-878562-2		4.0	5.9	9.3	29.0
1-963736-2	B		CuSn4	△										
1-963736-1	B		CuSn4	△										
2-963735-2	C	1	CuFe2	△	>1.0 - 2.5	E = 3.8 G = 4.0 D _{Dr} = 1.7	H = 4.5 K = 4.7 D = 2.6	2.5 mm ² = 1.97 2.0 mm ² = 1.83 1.5 mm ² = 1.69	2-878561-2		3.5	5.1	8.1	27.8
2-963735-1	C		CuSn4	△										
1-963735-2	B		CuSn4	△										
1-963735-1	B	CuSn4	△											
2-963734-2	C	1	CuFe2	△	0.5 - 1.0	E = 2.8 G = 3.0 D _{Dr} = 1.1	H = 3.3 K = 3.5 D = 1.8	1.0 mm ² = 1.56 0.75 mm ² = 1.47 0.5 mm ² = 1.38	2-878654-2		3.0	4.6	6.8	26.5
2-963734-1	C		CuSn4	△					539759-2					
1-963734-2	B		CuSn4	△										
1-963734-1	B	CuSn4	△											
2-965984-1	A	2	CuFe2	△	0.2 - 0.5	E = 2.2 G = 2.2 D _{Dr} = 0.8	H = 3.1 K = 3.1 D = 1.4		-		2.5	3.7	5.7	26.5
1-965984-1	B		CuSn4	△										

THIS DRAWING IS A CONTROLLED DOCUMENT.		REV. 1	DATE 01.07.2001	BY T. Meierhofer	CHK T. Meierhofer
DIMENSIONS: mm		±0.2	TOLERANCE UNITS OPERATIVE UNITS		
MATERIAL: -		FINISH: -	WEIGHT: -	Customer Drawing	
TE ORDER-NO.	REV.	DESIGN	MATERIAL	SURFACE	DGB
STRIP FORM		Ausfuehrung	Werkstoff	Oberflaeche	mm ²
TE Bestellnr.					
Bandware					
APPLICATION TOOL (MQC APPLICATOR HD) Anschlagwerkzeug		EXTRACTION TOOL Ausdrueckwerkzeug No. 726548-1		SCALE 10:1	
CRIMP DIMENSIONS mm Crimpabmessungen mm		Customer Drawing		SHEET 1 of 1	



X-ON Electronics

Largest Supplier of Electrical and Electronic Components

Click to view similar products for [Automotive Connectors](#) category:

Click to view products by [TE Connectivity](#) manufacturer:

Other Similar products are found below :

[003-018-000](#) [60403001](#) [60993906-B](#) [M902-2131](#) [M902-2161](#) [72.330.1035.1](#) [73.353.4028.0](#) [F119300-B](#) [F166900](#) [F258300-B](#) [F358300-B](#)
[F407400](#) [F444110](#) [F487000](#) [F509500B-B](#) [827153-1](#) [8N1515-32-24P](#) [9-1326729-8](#) [925474-1](#) [928905-1](#) [964562-4](#) [968782-1](#) [GT17SA-8DS-](#)
[HU](#) [98891-1012](#) [98947-1016](#) [12004147](#) [12004475-L](#) [12010290](#) [12010309-B](#) [12015454](#) [12020219-B](#) [12020308](#) [12041318-B](#) [12052225-L](#)
[12052466](#) [12059125](#) [12064869](#) [12004327-B](#) [12010503-B](#) [12015308](#) [12015384](#) [12015909](#) [1-21030-1](#) [12041254](#) [12041318](#) [12047946-B](#)
[12047957](#) [12047957-L](#) [12059473](#) [12066261](#)