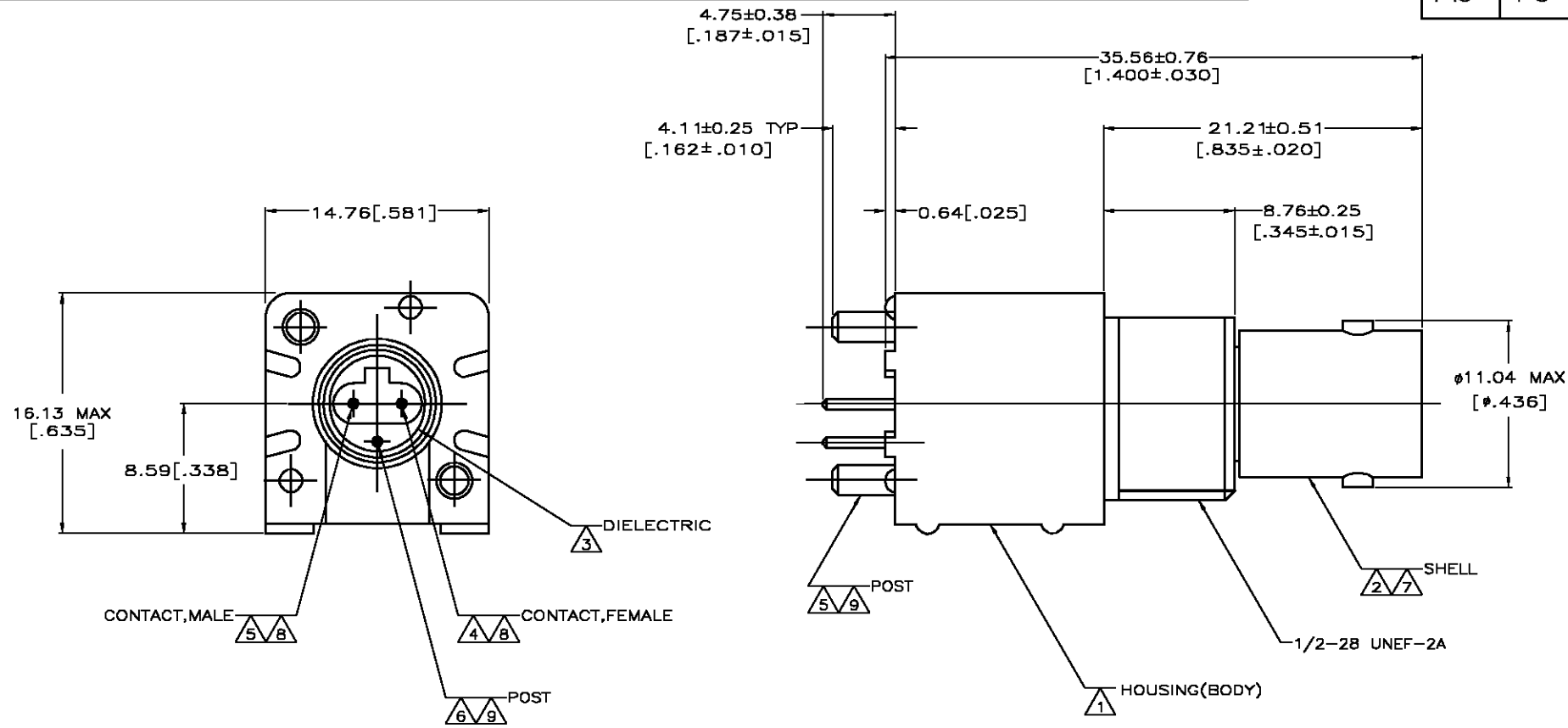
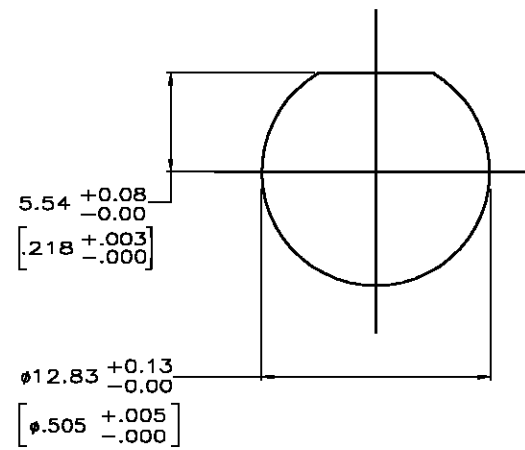
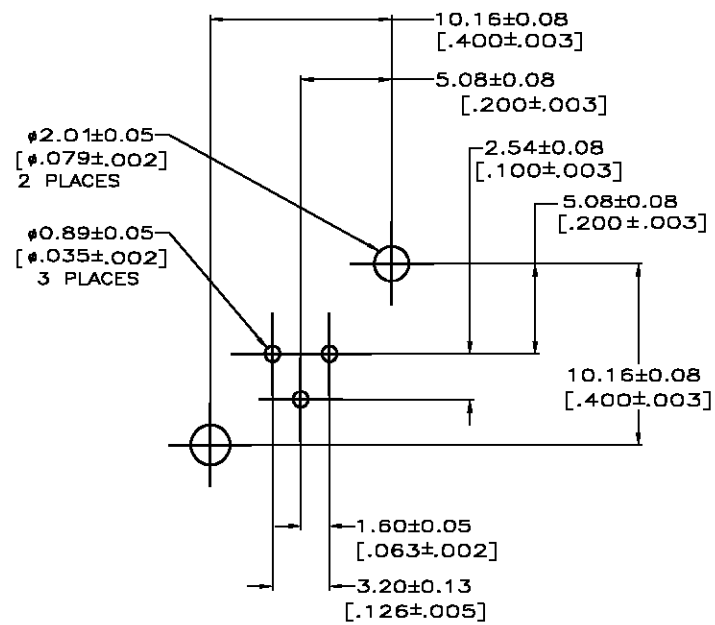


THIS DRAWING IS UNPUBLISHED. RELEASED FOR PUBLICATION  
 © COPYRIGHT BY TYCO ELECTRONICS CORPORATION. ALL RIGHTS RESERVED.

LOC	DIST	REVISIONS			
P	LTR	DESCRIPTION	DATE	DWN	APVD
AJ	16	C	PER EC 0S14-0192.	30NOV04	JGH JL



- △ POLYESTER, PBT, 15% GLASS FIBER REINFORCED, NATURAL, PER MIL-M-24519.
- △ ZINC PER QQ-Z-363.
- △ POLYMETHYLPENTENE, GENERAL PURPOSE.
- △ PHOSPHOR BRONZE PER QQ-B-750.
- △ BRASS PER QQ-B-626.
- △ BRASS PER ASTM-B-453.
- △ NICKEL PL PER QQ-N-290, 3.81µm [.000150] MINIMUM THICK
- △ GOLD PL PER MIL-G-45204, 0.76µm [.000030] MINIMUM THICK
- △ TIN PLATE PER ASTM-B-545, 3.81µm [.000150] MINIMUM THICK



PCB CONFIGURATION

RECOMMENDED PANEL CUTOUT

THIS DRAWING IS A CONTROLLED DOCUMENT.		DWN R. E. RUTH 10/22/90	Tyco Electronics Corporation Harrisburg, Pa 17105-3608	
DIMENSIONS: mm		CHK A. GABANY 3-6-91	NAME JACK, VERTICAL, PCB, SERIES TWIN BNC	
TOLERANCES UNLESS OTHERWISE SPECIFIED:		APVD A. GABANY 3-6-91	SIZE A3	
0 PLC ± -		PRODUCT SPEC	CAGE CODE 00779	DRAWING NO 221198
1 PLC ± -		APPLICATION SPEC	RESTRICTED TO	
2 PLC ± 0.20 [.008]		WEIGHT	-	
3 PLC ± -		CUSTOMER DRAWING		
4 PLC ± -		SCALE 5:1		
ANGLES ± -		SHEET 1 OF 1		
MATERIAL △1 △2 △3 △4 △5		REV C		
FINISH △6 △7 △8 △9				

## X-ON Electronics

Largest Supplier of Electrical and Electronic Components

*Click to view similar products for [RF Connectors](#) / [Coaxial Connectors](#) category:*

*Click to view products by [TE Connectivity](#) manufacturer:*

Other Similar products are found below :

[8915-1511-000](#) [89674-0827](#) [6001-7071-019](#) [6002-7051-003](#) [6002-7551-202](#) [6059674-1](#) [619550-1](#) [630059-000](#) [M39030/3-01N](#) [6500-7071-046](#) [6769](#) [CX050L2AQ](#) [7002-1541-010](#) [7002-1542-011](#) [7004-1512-000](#) [7009-1511-004](#) [7010-1511-000](#) [7029-1511-060](#) [7101-1541-010](#) [7101-1571-002](#) [7145-1521-002](#) [7203-1571-003](#) [7209-1511-011](#) [7210-1511-015](#) [7210-1511-019](#) [73137-5015](#) [73216-2241](#) [73404-2300](#) [7405-1521-005](#) [7405-1521-802](#) [8527](#) [8547](#) [FS11V](#) [877931](#) [8808-1511-001](#) [9074-9513-000](#) [9101-9573-002](#) [910A205F](#) [9130-9573-002](#) [PL11SC-026](#) [PL375-33](#) [PL40-5](#) [PL74C-221](#) [PL75MC-217](#) [PL803-7](#) [1200690078](#) [1-201144-1](#) [R107003010W](#) [R110A172100](#) [R112186000](#)