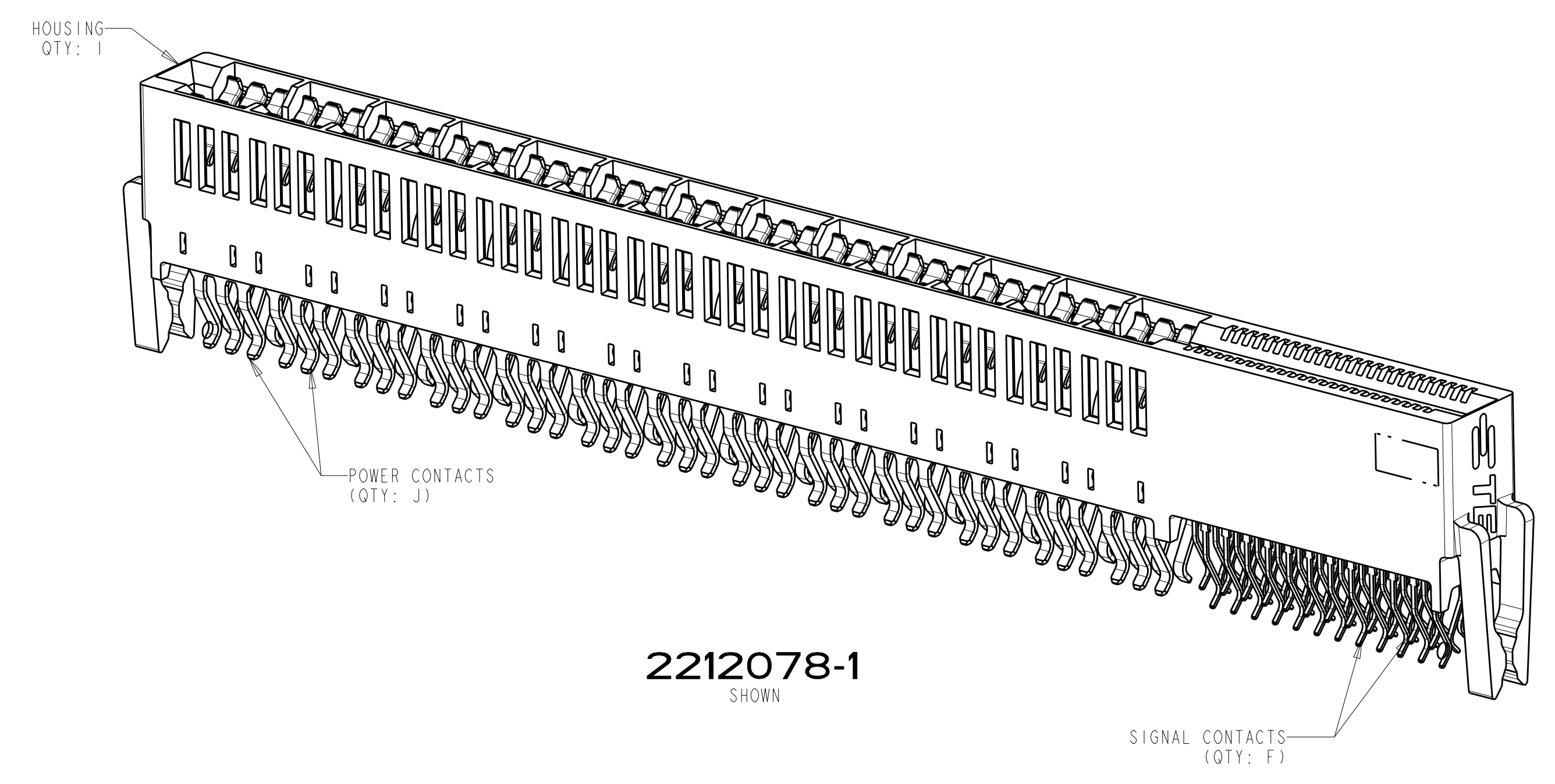


LOC	DIST	REVISIONS					
		P	LTN	DESCRIPTION	DATE	DWN	APVD
AA	00	A		FIRST RELEASE	25JUN2016	SZ	SZ

- MATERIAL: HOUSING - THERMOPLASTIC, GLASS REINFORCED, COLOR: BLACK
CONTACT - COPPER ALLOY
 - FINISH: CONTACT - GOLD PLATED OVER NICKEL.
SOLDER TAILS - MATTE TIN OVER NICKEL
3. CONNECTOR ASSEMBLY MARKED WITH PART NUMBER AND DATE CODE IN THE APPROXIMATE AREA SHOWN
4. DATUMS AND BASIC DIMENSIONS TO BE ESTABLISHED BY CUSTOMER



36.12	10.44	30.76	12	13.93	1.41	4	24.37	22	2	31.07	33.87	2 X 2 POWER 2 X 12 SIGNAL	2212078-5
65.16	24.96	59.80	12	28.45	15.93	12	53.41	22	10	60.11	62.91	2 X 6 POWER 2 X 12 SIGNAL	2212078-4
46.64	15.70	41.28	8	19.19	10.67	8	34.89	14	6	41.59	44.39	2 X 4 POWER 2 X 8 SIGNAL	2212078-3
28.12	6.44	22.76	4	9.93	5.41	4	16.37	6	2	23.07	25.87	2 X 2 POWER 2 X 4 SIGNAL	2212078-2
127.98	56.37	122.62	24	59.86	35.34	26	116.23	46	24	122.93	125.73	2 X 13 POWER X 2 X 24 SIGNAL	2212078-1
R	P	N	M	L	K	J	H	E	C	B	A	DESCRIPTION	PART NUMBER

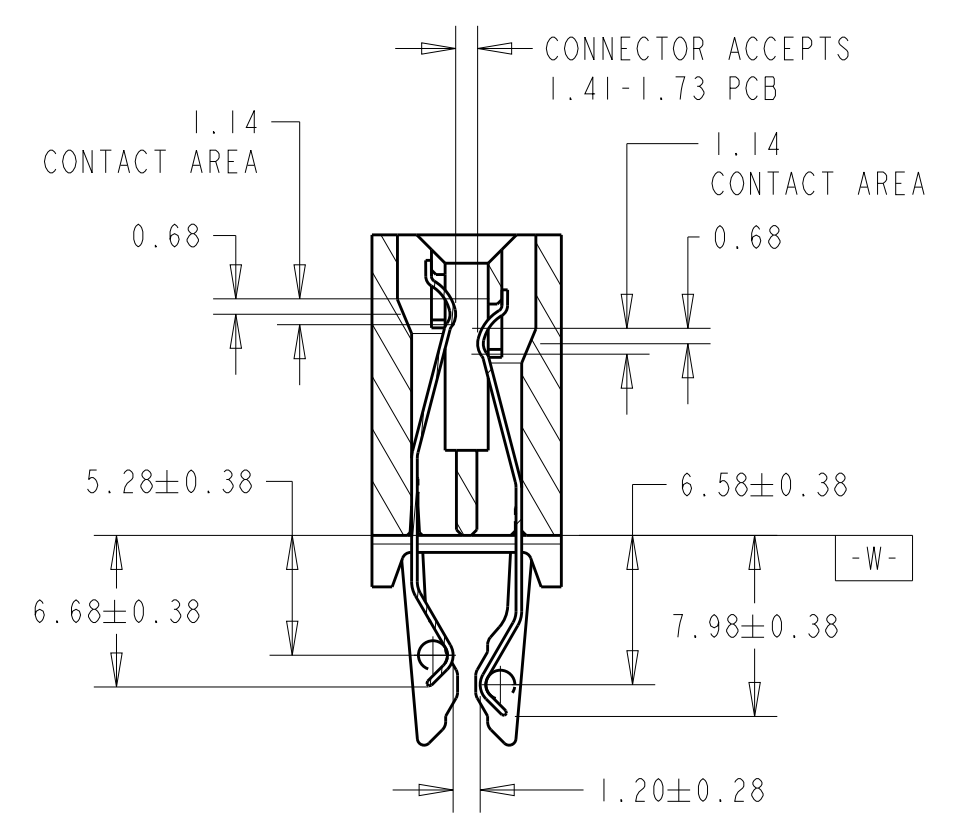
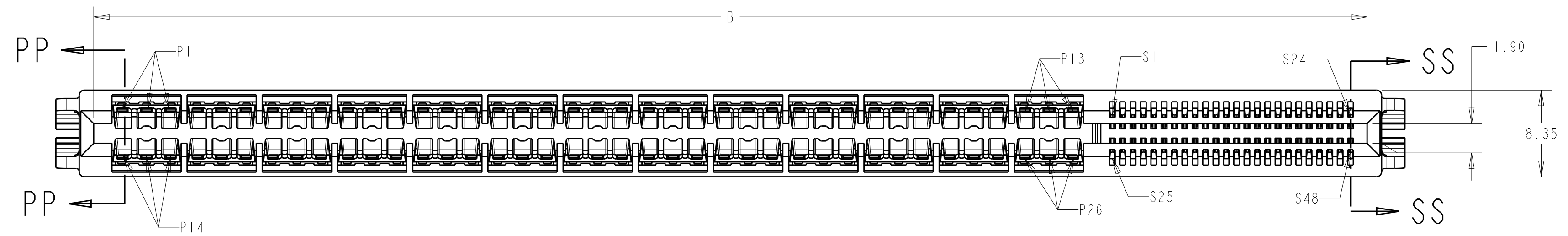
2212078-1
SHOWN

THIS DRAWING IS A CONTROLLED DOCUMENT.

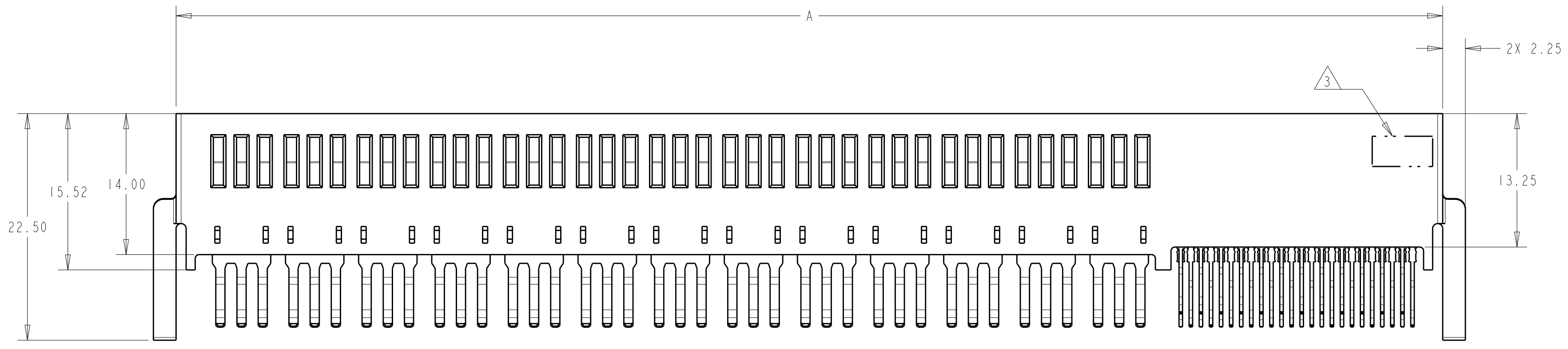
DIMENSIONS: mm	TOLERANCES UNLESS OTHERWISE SPECIFIED: 0 PLC ± 1 PLC ±0.5 2 PLC ±0.25 3 PLC ± 4 PLC ± ANGLES ±0.5°	DWN L.A. WENSEL 10DEC2012 CHK D. DEFIBAUGH 10DEC2012 APVD S. FLICKINGER 10DEC2012	NAME CONNECTOR ASSEMBLY, MULTI-BEAM CE, POWER/SIGNAL, STRADDLE MOUNT
MATERIAL SEE NOTE 1	FINISH SEE NOTE 2	PRODUCT SPEC APPLICATION SPEC WEIGHT CUSTOMER DRAWING	SIZE A1 CAGE CODE 00779 DRAWING NO 2212078 RESTRICTED TO - SCALE 1:1 SHEET 1 OF 3 REV A

TE Connectivity

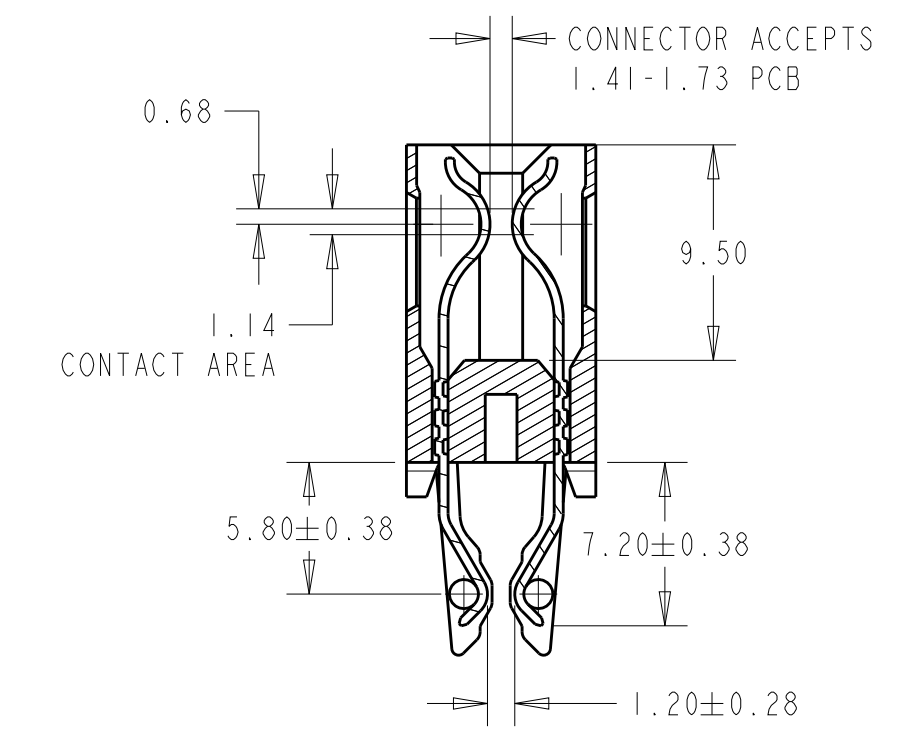
LOC	DIST	REVISIONS			
P	LTH	DESCRIPTION	DATE	DMN	APVD
-	-	SEE SHEET 1	-	-	-



SECTION SS-SS
SIGNAL CONTACTS



2212078-1 SHOWN



SECTION PP-PP
POWER CONTACTS

THIS DRAWING IS A CONTROLLED DOCUMENT.		DMN L.A. WENSEL 10DEC2012	TE Connectivity
DIMENSIONS: mm		CHK D. DEFIBAUGH 10DEC2012	
TOLERANCES UNLESS OTHERWISE SPECIFIED:		APVD S. ELICKINGER 10DEC2012	NAME CONNECTOR ASSEMBLY, MULTI-BEAM CE, POWER/SIGNAL, STRADDLE MOUNT
0 PLC ±	1 PLC ±0.3	PRODUCT SPEC	SIZE A1
2 PLC ±0.13	3 PLC ±	APPLICATION SPEC	CAGE CODE 00779
4 PLC ±	ANGLES ±0.6°	WEIGHT	DRAWING NO. 2212078
MATERIAL SEE NOTE 1	FINISH SEE NOTE 2	CUSTOMER DRAWING	RESTRICTED TO
SCALE 1:1		SHEET 2 OF 3	REV A

X-ON Electronics

Largest Supplier of Electrical and Electronic Components

Click to view similar products for [Power to the Board](#) category:

Click to view products by [TE CONNECTIVITY](#) manufacturer:

Other Similar products are found below :

[6450171-4](#) [6450552-7](#) [6600323-8](#) [6643429-1](#) [6646040-2](#) [6651939-1](#) [6766604-1](#) [120959-1](#) [1393557-2](#) [1393532-2](#) [1393532-3](#) [1393532-4](#)
[1393557-1](#) [1600812-5](#) [1-6450861-2](#) [1744132-7](#) [1761122-1](#) [1766250-1](#) [1892109-1](#) [2-6450860-5](#) [2-6450870-0](#) [1-6450161-4](#) [1-6450850-6](#) [1-](#)
[6450869-6](#) [1645526-2](#) [1-6600130-0](#) [2005243-2](#) [377-0020-11130](#) [TE34-12-16P-F0](#) [51700-10201602AALF](#) [5-6450830-6](#) [5646956-4](#) [377-](#)
[0080-11131A](#) [4-6450830-9](#) [4-6600333-3](#) [10125416-4050LF](#) [10130248-005LF](#) [6600320-3](#) [3-6450860-5](#) [1888123-2](#) [6450166-1](#) [6643978-1](#)
[6766605-1](#) [701-15-02109](#) [N11444](#) [6651938-1](#) [6450810-7](#) [46437-1112](#) [1-1589677-8](#) [5646956-5](#)