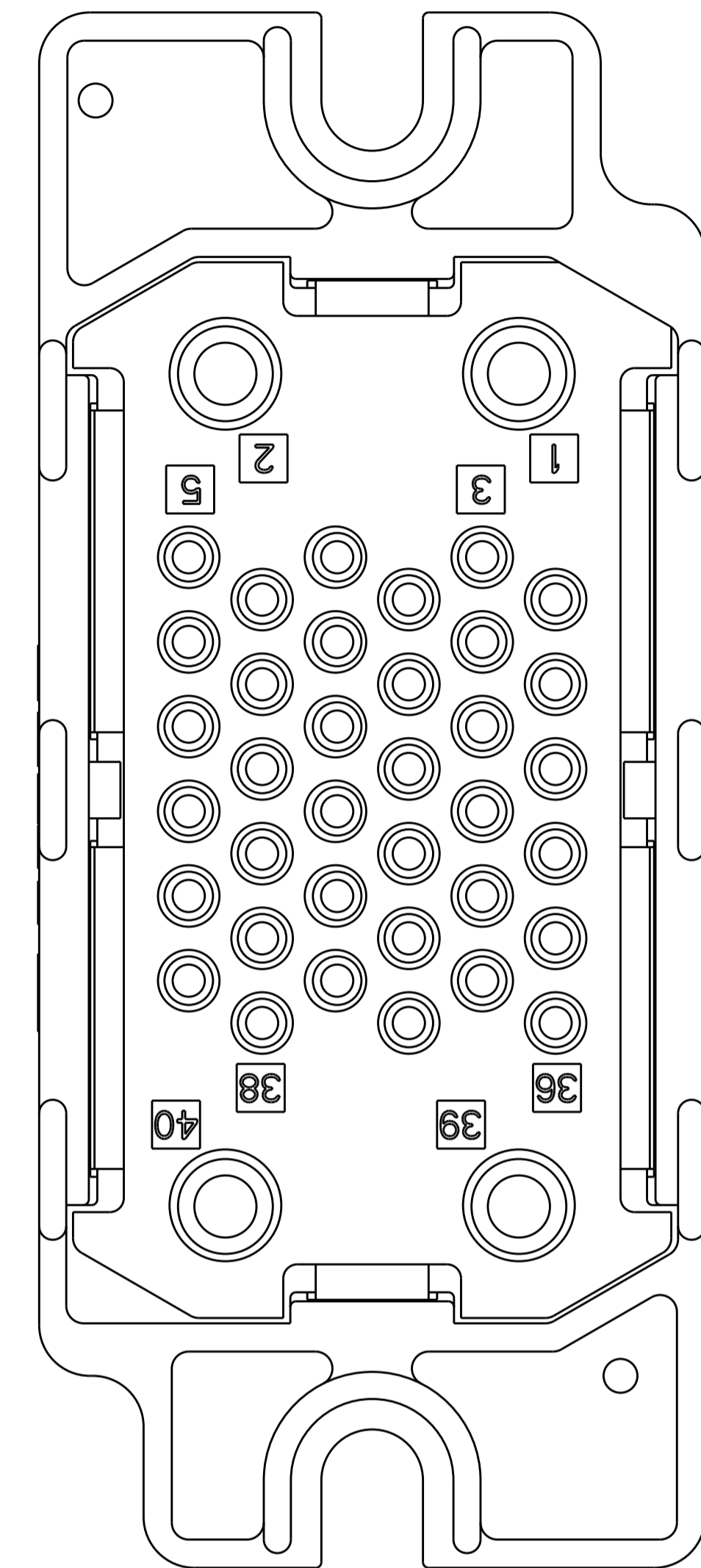
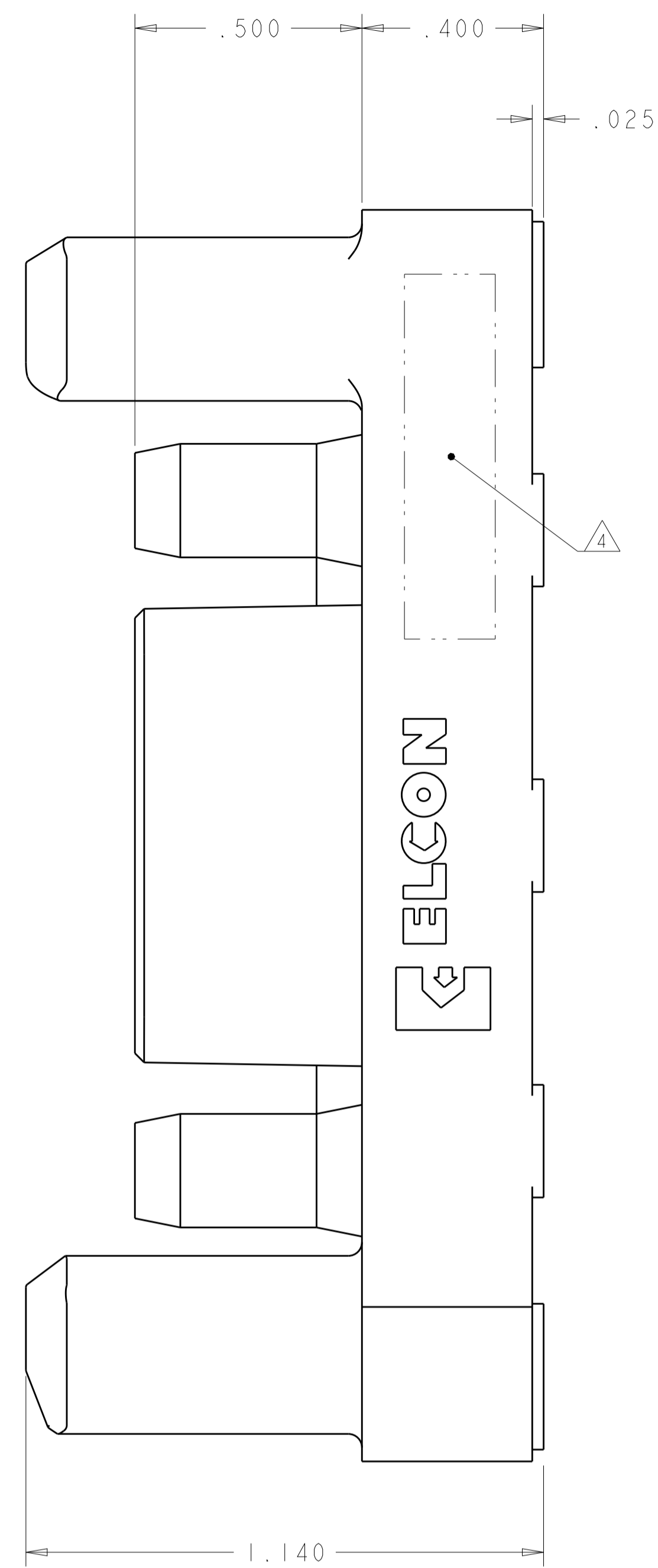
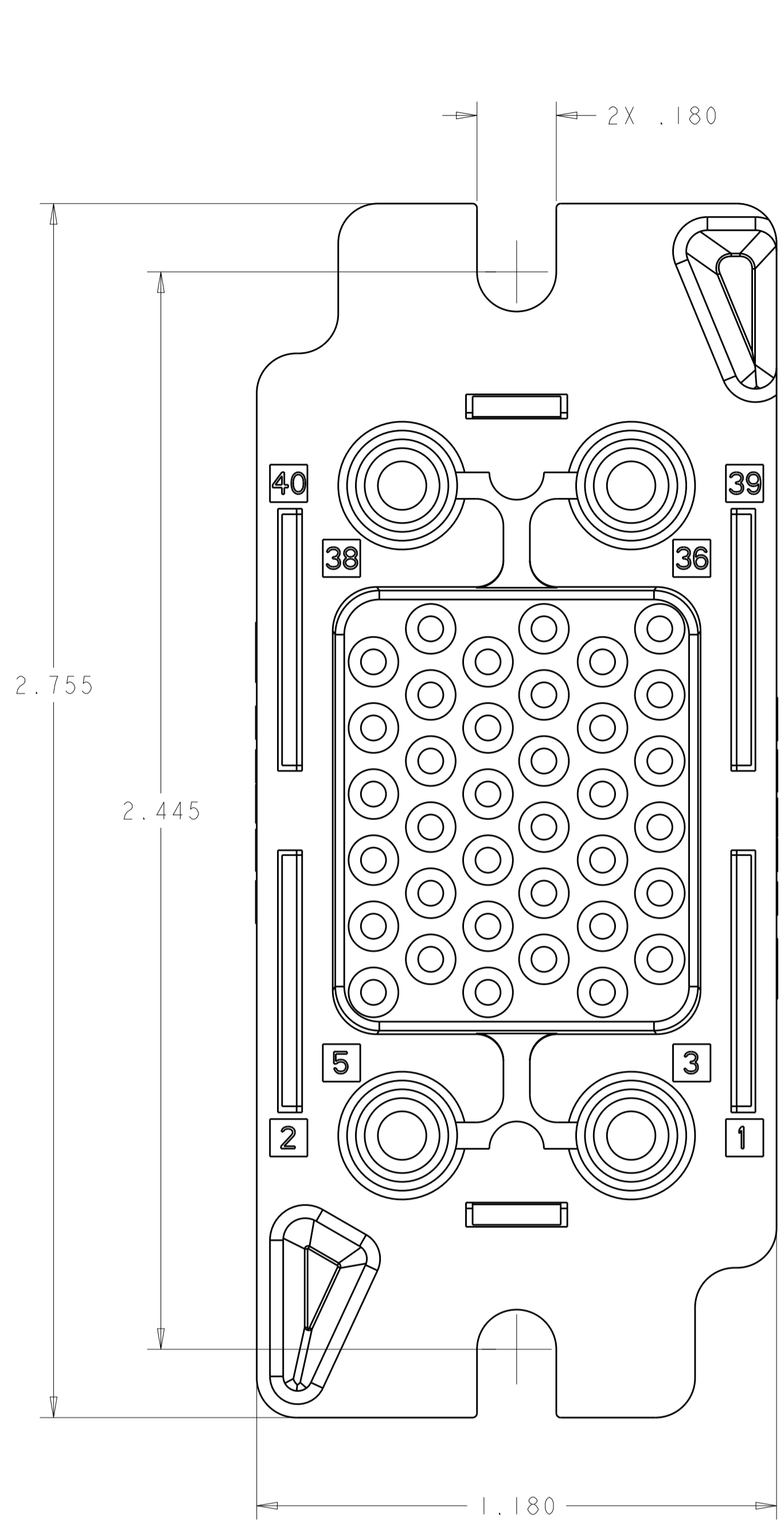


LOC		DIST		REVISIONS			
P	LTN	DESCRIPTION	DATE	DWN	APVD		
A		RELEASED	09JUL2013	DO	DO		



REAR VIEW

SOCKET CONTACT (C)  
 SIZE #12

SOCKET CONTACT (B)  
 SIZE #20

SOCKET CONTACT (C)  
 SIZE #12

- PART NUMBER CHANGES AND OR DESIGN CHANGES AFFECTING THE INTERCHANGEABILITY REQUIRE PRIOR TYCO ELECTRONICS APPROVAL AND AUTHORIZATION BY REVISION TO THIS DRAWING.
- MATERIAL:  
 INSULATOR: THERMOPLASTIC, GLASS REINFORCED, UL 94V-0 FLAMMABILITY RATED, COLOR: BLACK  
 CONTACT: BRASS ROD ALLOY  
 CROWN BAND: BERYLLIUM COPPER  
 RETENTION CLIP: BERYLLIUM COPPER OR STAINLESS STEEL
- FINISH:  
 CONTACTS SIZE #12 : SILVER .000200 MIN. THK. OVER NICKEL .000050 MIN THK.  
 CONTACTS SIZE #20 : GOLD .000010 MIN. THK. OVER NICKEL .000050 MIN THK.  
 CROWN BAND: GOLD .000030 MIN. THK. OVER NICKEL .000040 MIN THK.

△ ITEMS PROVIDED TO THIS SPECIFICATION TO BE PERMANENTLY IDENTIFIED PER THE FOLLOWING IDENTIFIER:

YEAR 1 WEEK 1  
 TYCO ELECTRONICS P/N: XXXXXX-X  
 DATE CODE (e.g. 0216): XXXX

QTY	PART NUMBER	DESCRIPTION	ITEM
4	6648374-1	CONTACT, SOCKET, SIZE #12, PCB TAIL	C
36	1648382-1	CONTACT, SOCKET, SIZE #20, PCB TAIL	B
1	1648133-2	HOUSING, SOCKET, UNMARKED/NO LABEL	A
-1	PART NUMBER	DESCRIPTION	ITEM

THIS DRAWING IS A CONTROLLED DOCUMENT.

DIMENSIONS: INCHES

TOLERANCES UNLESS OTHERWISE SPECIFIED:

0 PLC	±
1 PLC	±.02
2 PLC	±.02
3 PLC	±.010
4 PLC	±
ANGLES	±.5

MATERIAL: - FINISH: -

WEIGHT: -

Customer Drawing

DWN: D. ORRIS 16OCT2012  
 CHK: D. ORRIS 16OCT2012  
 APVD: D. ORRIS 16OCT2012

NAME: **STE** TE Connectivity

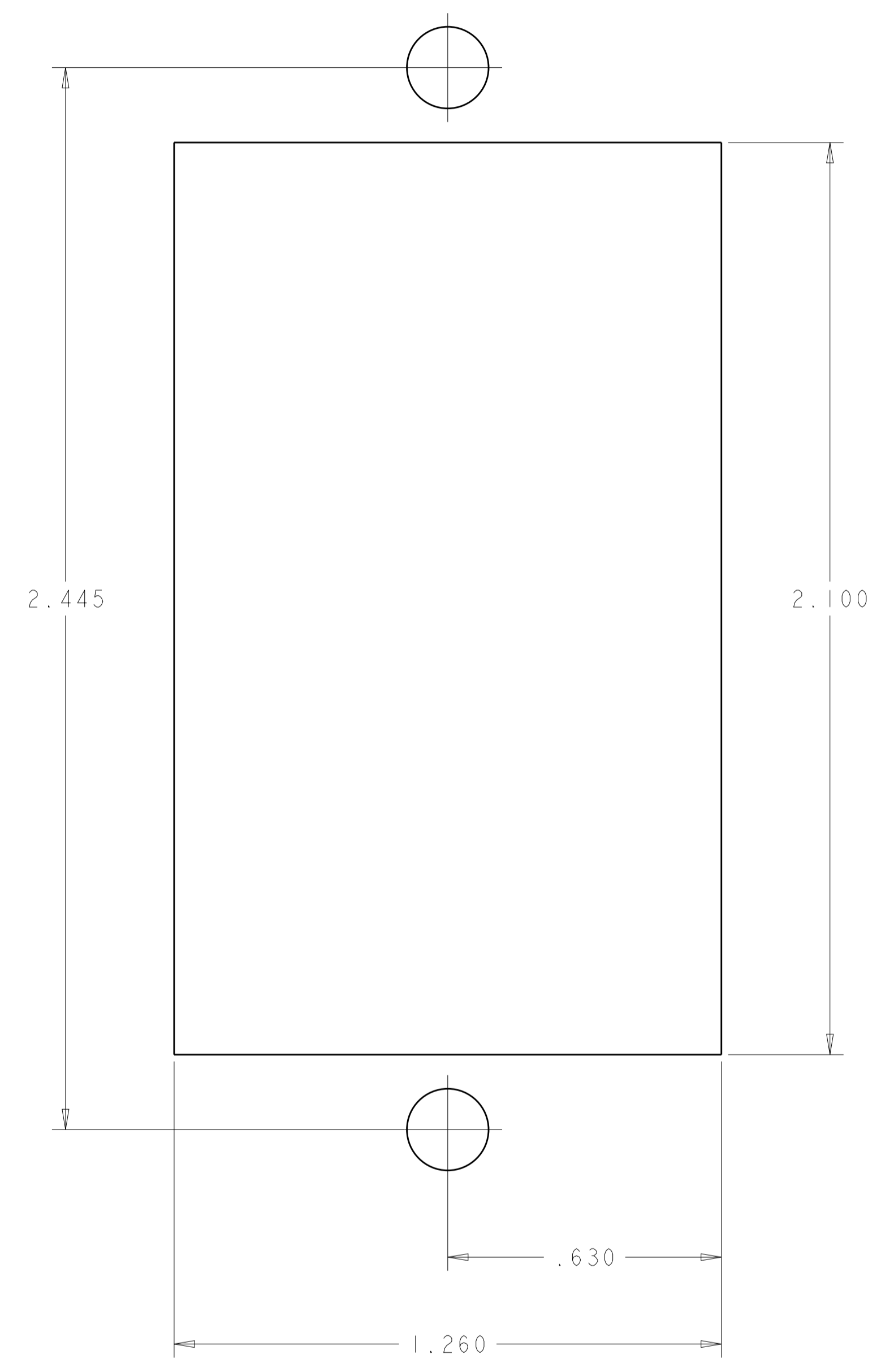
PRODUCT SPEC: SOCKET CONNECTOR ASSEMBLY  
 APPLICATION SPEC: CRIMP SQUARE DRAWER

SIZE: A1 CAGE CODE: 00779 DRAWING NO: 2212082

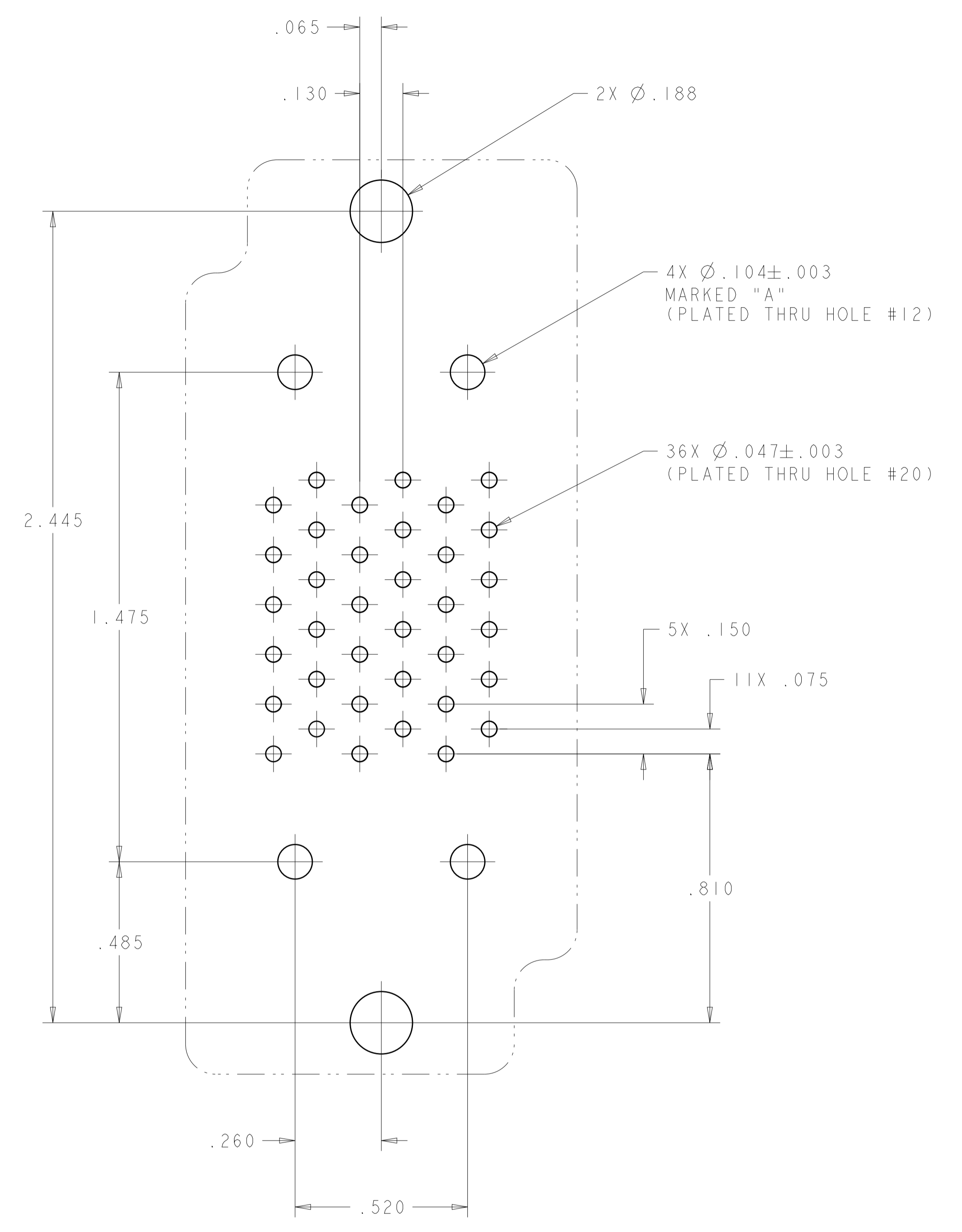
RESTRICTED TO: -

SCALE: 4:1 SHEET 1 OF 2 REV A


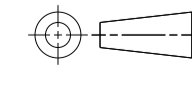
LOC		DIST		REVISIONS			
				DESCRIPTION	DATE	OWN	APVD
-	-	-	-	SEE SHEET 1	-	-	-



SUGGESTED PANEL LAYOUT  
 VIEWED FROM CONNECTOR MOUNTING SIDE



SUGGESTED PCB LAYOUT  
 VIEWED FROM CONNECTOR MOUNTING SIDE

THIS DRAWING IS A CONTROLLED DOCUMENT.		OWN: D. ORRIS 16OCT2012	 TE Connectivity
DIMENSIONS: INCHES		CHK: D. ORRIS 16OCT2012	
DIMENSIONS: INCHES 0 PLC ±. 1 PLC ±. 2 PLC ±.02 3 PLC ±.010 4 PLC ±. ANGLES ±.5 FINISH		APVD: D. ORRIS 16OCT2012	NAME: SOCKET CONNECTOR ASSEMBLY
		PRODUCT SPEC	CRIMP
MATERIAL		APPLICATION SPEC	SQUARE DRAWER
FINISH		WEIGHT	SIZE: A100779C=2212082
Customer Drawing		RESTRICTED TO	SCALE: 4:1 SHEET 2 OF 2 REV A

## X-ON Electronics

Largest Supplier of Electrical and Electronic Components

*Click to view similar products for [Heavy Duty Power Connectors](#) category:*

*Click to view products by [TE Connectivity](#) manufacturer:*

Other Similar products are found below :

[647757-1](#) [6643411-1](#) [6646058-2](#) [6646137-1](#) [6646138-1](#) [6646479-1](#) [6646608-1](#) [6646786-1](#) [6646940-1](#) [6651091-1](#) [6651525-1](#) [6651529-1](#)  
[6651788-1](#) [696475-1](#) [702-32-01109](#) [703-25-02205](#) [73000005059](#) [73000005642](#) [73080255059](#) [73080965046](#) [765-15-0080A](#) [765-16-0080B](#)  
[765-18-0080D](#) [829992-1](#) [902-77-02113](#) [PS00/A0620/6300](#) [PS25/A0420/63](#) [129-1J](#) [1409400](#) [AN0024023](#) [E6374G1](#) [e6389g2](#) [157-43GW8](#)  
[MS3117-14AC](#) [1643543-1](#) [1650540-1](#) [1651811-2](#) [1766260-1](#) [1766282-1](#) [1766966-1](#) [1791340000](#) [NLDFT-3-BL-L-S120-M40A](#) [NLDFT-N-](#)  
[W-L-C240-M40B](#) [NLS-2-R-C240-M40B](#) [NLS-N-W-C240-M40B](#) [NPS-3-BL-T6](#) [1986615-1](#) [2-1589900-8](#) [2199314-1](#) [KA8102](#)