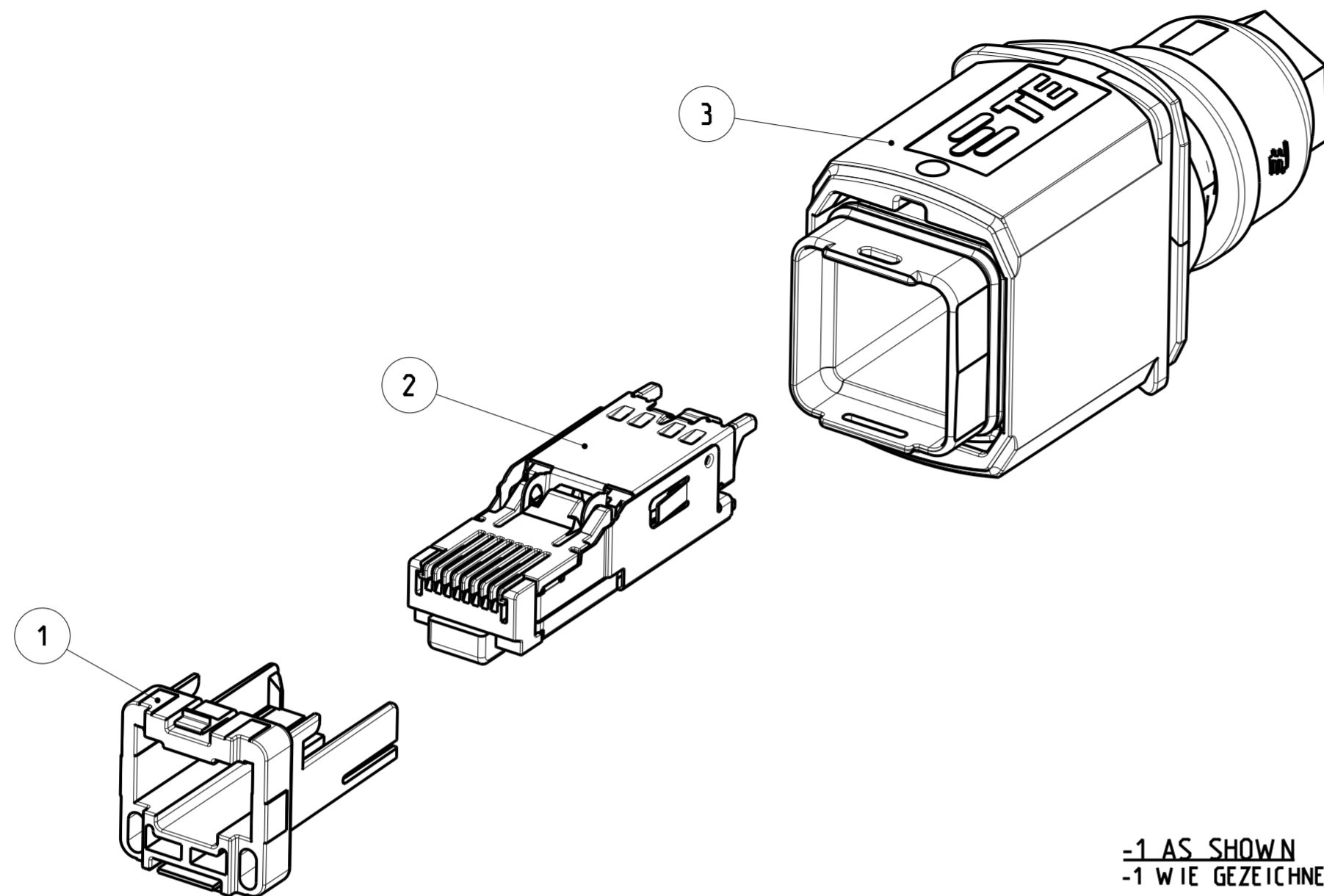


REVISIONS		DATE	DWN	APVD
ÄNDERUNGEN				
P	LTR	DESCRIPTION		
		BESCHREIBUNG		
A1		DRAWING ACTIVATED	18JUN2014	ER CS
A2		VARIANT 1--1 ADDED	29MAR2016	ER MS
B1		PCN :E-20-007322	16DEC2020	SS MSZ
B2		PCN E-20-002171	08MAR2021	SS JDB

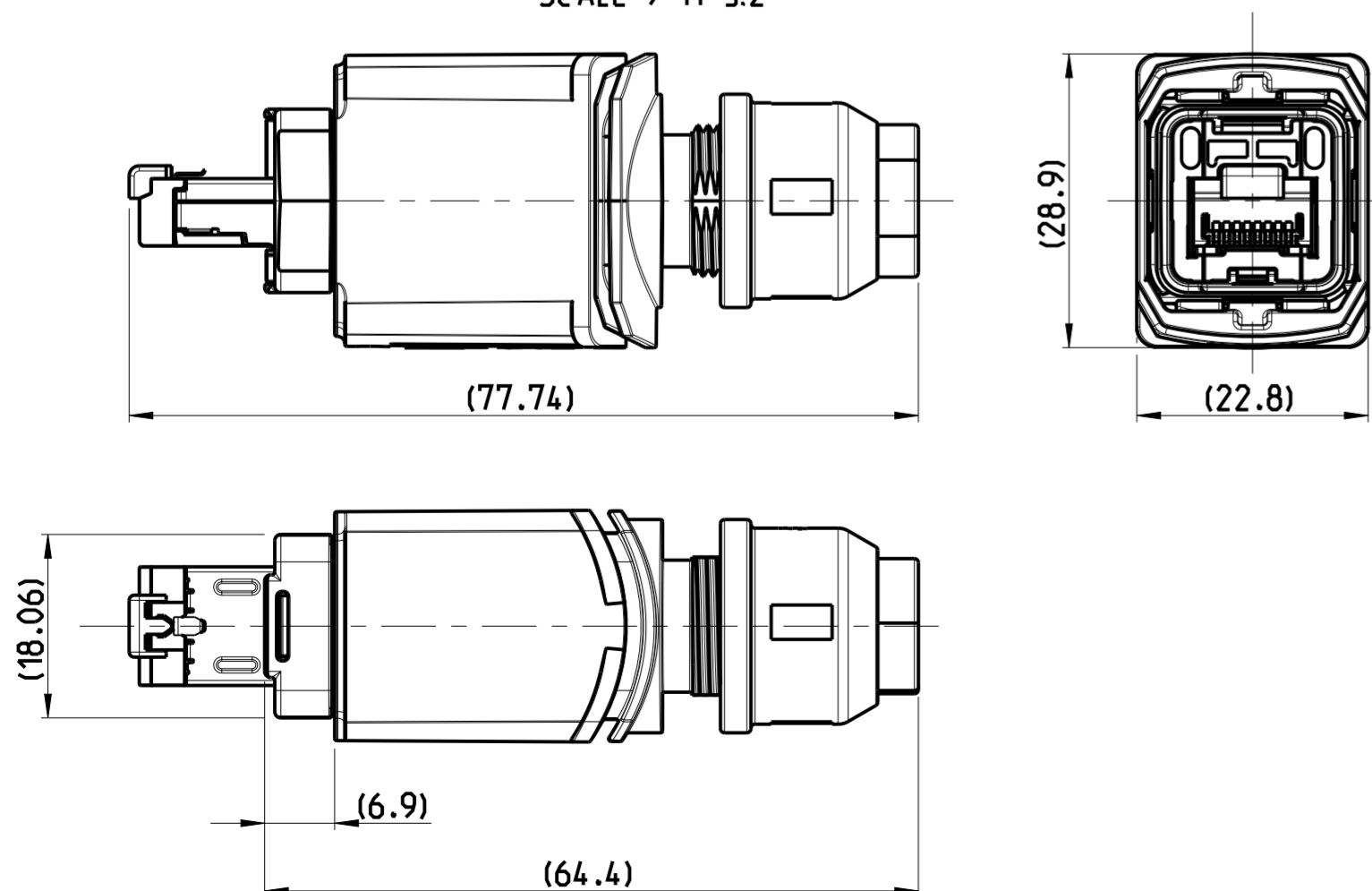


-1 AS SHOWN
-1 WIE GEZEICHNET

- ⚠ MOUNTING-CYCLE:
- APPLICATION SEE INSTRUCTION SHEET 411-18564
- 2 PACKAGING:
- CONNECTOR SET PACKED INTO BLISTER PACKAGE.
- BLISTER PACKAGE PACKED INTO CARTON
- 3 RJ45 APPLICATION ACC. IEC 60076-3-117 AND INTERFACE DIM.
- ⚠ NOT SHOWN

- ⚠ MONTAGE:
- VERARBEITUNG SIEHE MONTAGEANWEISUNG 411-18564
- 2 VERPACKUNG:
- STECKER SET IN BLISTERVERPACKUNG VERPACKT
- BLISTERVERPACKUNG TRAY IN KARTON VERPACKT
- 3 RJ45 ANWENDUNG NACH IEC 60076-3-117 UND SCHNITTSTELLENMASSE
- ⚠ NICHT DARGESTELLT

DIMENSION IN ASSEMBLED CONDITION
MASSE IM ASSEMBLIERTEN ZUSTAND
SCALE / M 3:2



Size ISO 14405 (E)

		2120864-1	TE ORDER-NO. BESTELL-NR.		
-	-	1	5	BLISTER PACKAGE BLISTERVERPACKUNG	
-	-	1	4	INSTRUCTION SHEET MONTAGEANWEISUNG	
-	-	1	3	PUSH PULL. SUB-ASSY PUSH PULL. SUB-ASSY	
-	-	1	2	COMMON CORE ASSY 8POS.. GIGABIT GEM. KERN ASSY 8POL.. GIGABIT	
-	-	1	1	ADAPTER RJ45, CAT5e PLUG, VARIANT 14 ADAPTER RJ45, CAT5e STECKER, VARIANTE 14	
QUANTITY STUECK	ITEM-NO. POS.	DESCRIPTION BENENNUNG		SURFACE OBERFLAECHE COLOUR/FARBE	MATERIAL
				BLACK SCHWARZ	PBT-GF20

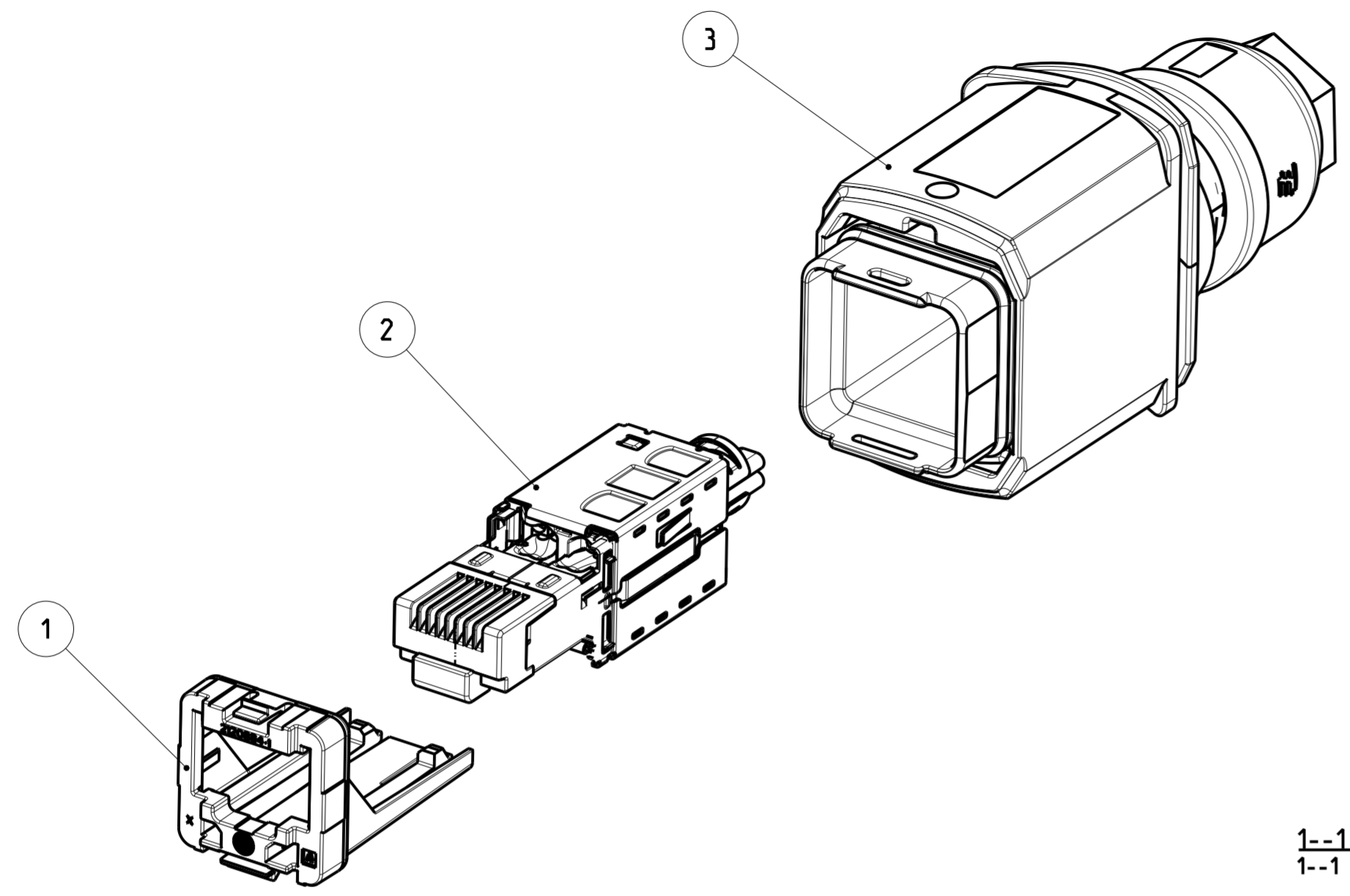
THIS DRAWING IS A CONTROLLED DOCUMENT. DIMENSIONING AND TOLERANCING PER GPS (ISO STANDARDS).

DIMENSIONS: MASSE/MASSEN: [mm]	TOLERANCES UNLESS OTHERWISE SPECIFIED: ALLGEMEINTOLERANZEN	DWN S. HASS 20SEP2013	<p>TE Connectivity</p>
0 PLC ±0.2	1 PLC ±0.2	CHK M. STRELOW 20SEP2013	
2 PLC ±0.2	3 PLC ±	APVD C. SCHRETTLINGER 20SEP2013	
4 PLC ±	ANGLES/WINKEL ±2°	PRODUCT SPEC 108-94207	NAME VARIANT 14. PLUG METAL VARIANTE 14. PLUG METALL RJ45, CAT5e, 8POS. GIGABIT
MATERIAL	FINISH/OBERFLAECHE/FARBE	APPLICATION SPEC VERARBEITUNGSSPEZ.	SIZE A2
-	-	WEIGHT GEWICHT 78.6g	CAGE CODE 00779
-	-	Customer Drawing	DRAWING NO. ZEICHNUNGS-NR. C-2120864

RESTRICTED TO MUR FUER -

SCALE MASSSTAB 2:1 SHEET BLATT 1 OF 5 REV B2

REVISIONS		DATE	DWN	APVD
AMENDUNGEN	DESCRIPTION			
ÄNDERUNGEN	BESCHREIBUNG			
P	LTR			
-	SEE SHEET 1	-	-	-

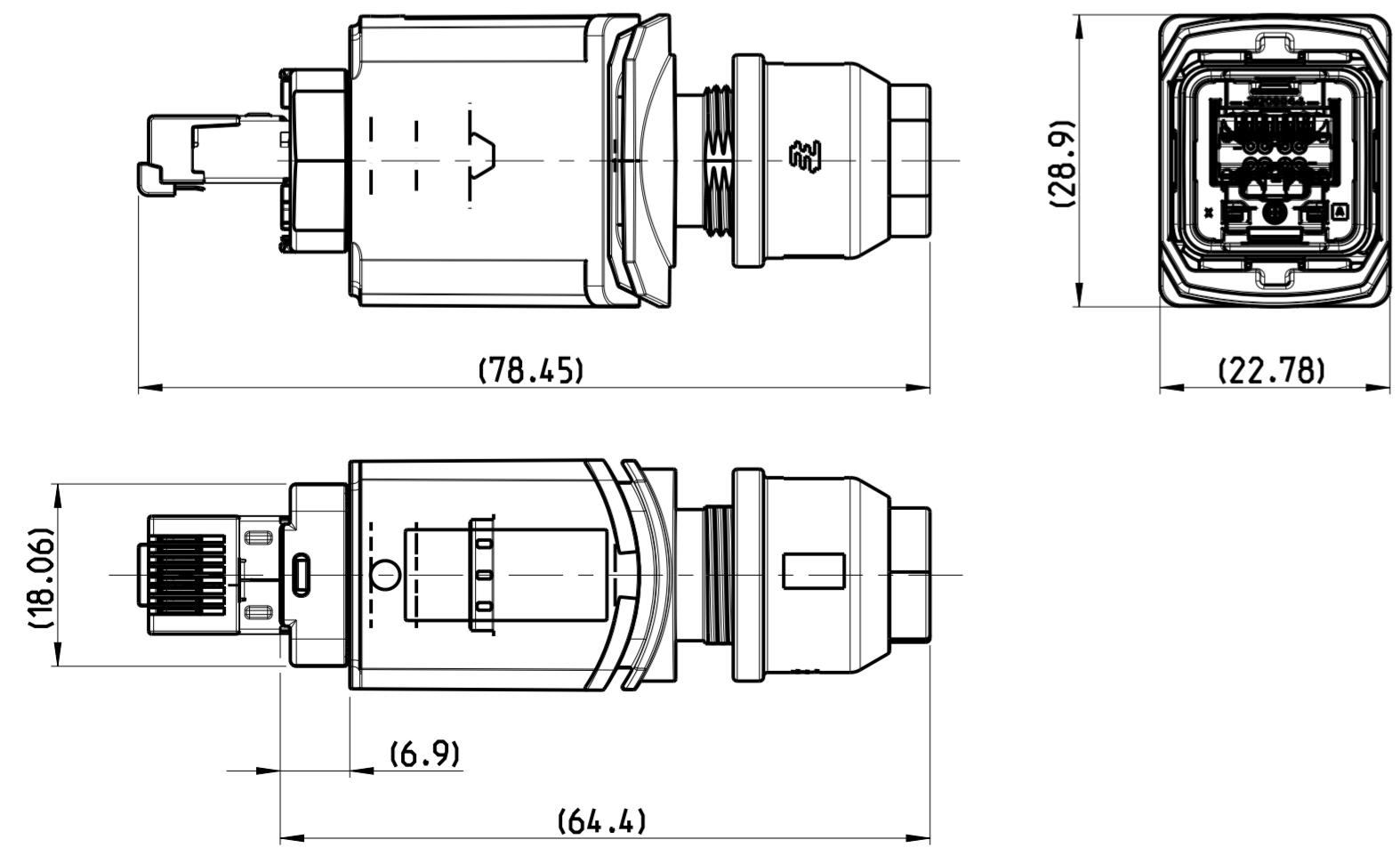


1--1 AS SHOWN
 1--1 WIE GEZEICHNET

- ⚠ **MOUNTING-CYCLE:**
 - APPLICATION SEE INSTRUCTION SHEET 411-18566
- 2 **PACKAGING:**
 - CONNECTOR SET PACKED INTO BLISTER PACKAGE.
 - BLISTER PACKAGE PACKED INTO CARTON
- 3 RJ45 APPLICATION ACC. IEC 60076-3-117 AND INTERFACE DIM.
- ⚠ **NOT SHOWN**

- ⚠ **MONTAGE:**
 - VERARBEITUNG SIEHE MONTAGEANWEISUNG 411-18566
- 2 **VERPACKUNG:**
 - STECKER SET IN BLISTERVERPACKUNG VERPACKT
 - BLISTERVERPACKUNG TRAY IN KARTON VERPACKT
- 3 RJ45 ANWENDUNG NACH IEC 60076-3-117 UND SCHNITTSTELLENMASSE
- ⚠ **NICHT DARGESTELLT**

DIMENSION IN ASSEMBLED CONDITION
MASSE IM ASSEMBLIERTEN ZUSTAND
 SCALE / M 3:2



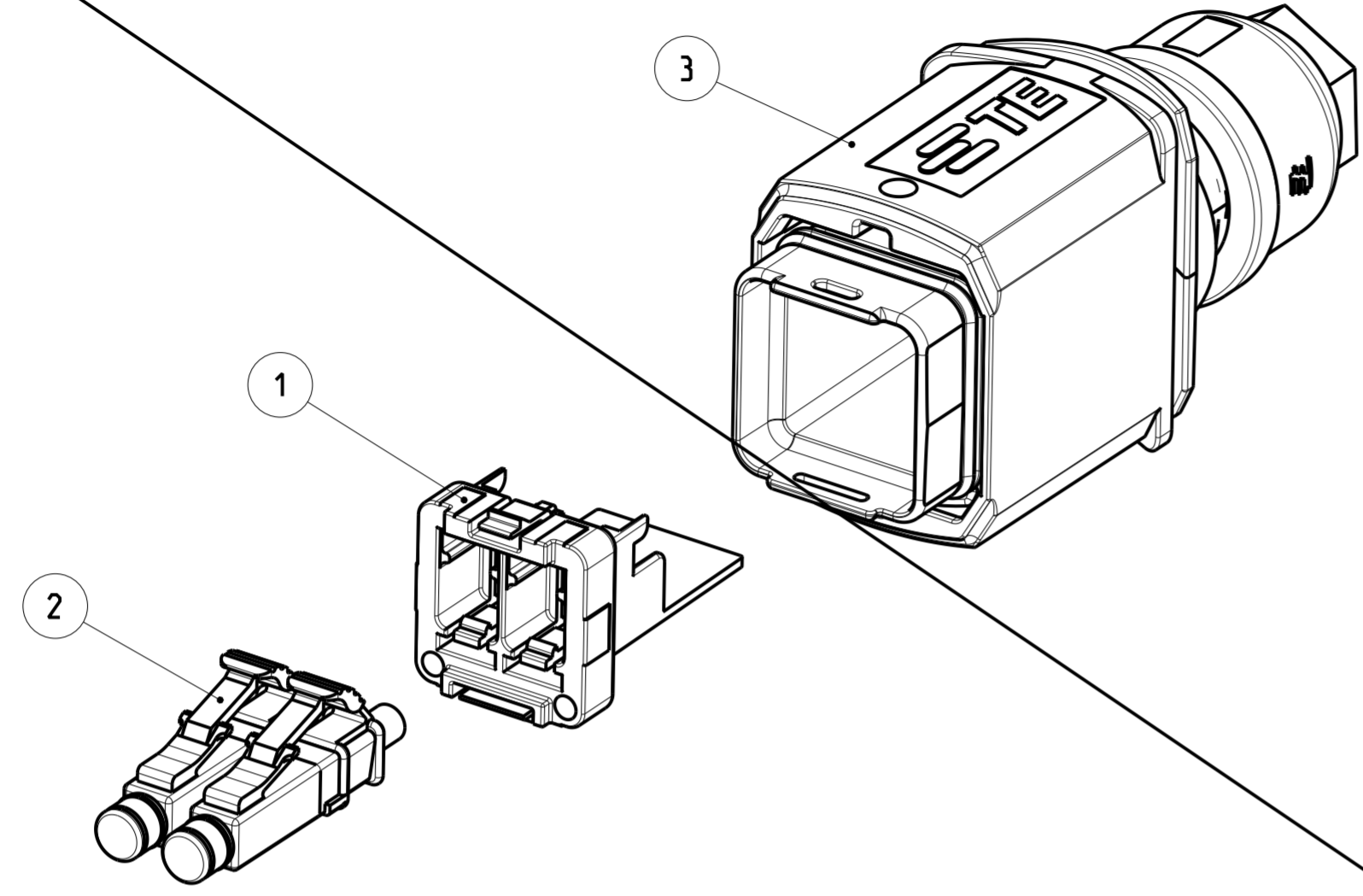
Size ISO 14405 (E)

		1-2120864-1		TE ORDER-NO. BESTELL-NR.	
-	-	1	5	BLISTER PACKAGE BLISTERVERPACKUNG	⚠
-	-	1	4	INSTRUCTION SHEET MONTAGEANWEISUNG	⚠
-	-	1	3	PUSH PULL. SUB-ASSY PUSH PULL. SUB-ASSY	3-5 μm Ni OVER 8 μm Cu
-	-	1	2	COMMON CORE ASSY 8POS.. CAT6A GEM. KERN ASSY 8POL.. CAT6A	ZPO4.10 DIN 12833
-	-	1	1	ADAPTER RJ45, CAT6A PLUG, VARIANT 14 ADAPTER RJ45, CAT6A STECKER, VARIANTE 14	BLACK SCHWARZ
QUANTITY STUECK		ITEM-NO. POS.	DESCRIPTION BENENNUNG		SURFACE OBERFLAECHE
					C OLOUR/FARBE
					MATERIAL
					PBT-GF20

THIS DRAWING IS A CONTROLLED DOCUMENT.
 DIMENSIONING AND TOLERANCING PER GPS (ISO STANDARDS)

DIMENSIONS: MASSE/MAßSTÄBE: [mm]	TOLERANCES UNLESS OTHERWISE SPECIFIED: ALLGEMEINTE TOLERANZEN	DWN S. HASS 20SEP2013	 TE Connectivity													
<table border="1"> <tr><td>0 PLC</td><td>±0.2</td></tr> <tr><td>1 PLC</td><td>±0.2</td></tr> <tr><td>2 PLC</td><td>±0.2</td></tr> <tr><td>3 PLC</td><td>±</td></tr> <tr><td>4 PLC</td><td>±</td></tr> </table>	0 PLC	±0.2		1 PLC	±0.2	2 PLC	±0.2	3 PLC	±	4 PLC	±	<table border="1"> <tr><td>ANGLES/WINKEL</td><td>±2°</td></tr> <tr><td>FINISH/OBERFLAECHE/FARBE</td><td></td></tr> </table>	ANGLES/WINKEL	±2°	FINISH/OBERFLAECHE/FARBE	
0 PLC	±0.2															
1 PLC	±0.2															
2 PLC	±0.2															
3 PLC	±															
4 PLC	±															
ANGLES/WINKEL	±2°															
FINISH/OBERFLAECHE/FARBE																
<table border="1"> <tr><td>MATERIAL</td><td>-</td></tr> <tr><td>-</td><td>-</td></tr> <tr><td>-</td><td>-</td></tr> </table>		MATERIAL	-	-	-	-	-	APVD C. SCHRETLINGER 20SEP2013	NAME VARIANT 14, PLUG METAL VARIANTE 14, PLUG METALL RJ45, CAT6A, 8POS.							
MATERIAL	-															
-	-															
-	-															
<table border="1"> <tr><td>WEIGHT GEWICHT</td><td>83.0g</td></tr> <tr><td>Customer Drawing</td><td>/KUNDENZEICHNUNG</td></tr> </table>		WEIGHT GEWICHT	83.0g	Customer Drawing	/KUNDENZEICHNUNG	PRODUCT SPEC 108-94207	SIZE A2									
WEIGHT GEWICHT	83.0g															
Customer Drawing	/KUNDENZEICHNUNG															
<table border="1"> <tr><td>SCALE MAßSTAB</td><td>2:1</td></tr> <tr><td>SHEET BLATT</td><td>2 OF 5</td></tr> <tr><td>REV</td><td>B2</td></tr> </table>		SCALE MAßSTAB	2:1	SHEET BLATT	2 OF 5	REV	B2	DRAWING NO. ZEICHNUNGS-NR. C-2120864	RESTRICTED TO NUR FÜR							
SCALE MAßSTAB	2:1															
SHEET BLATT	2 OF 5															
REV	B2															

P	LTR	REVISIONS ÄNDERUNGEN DESCRIPTION BESCHREIBUNG	DATE	DWH	APVD
-	SEE SHEET 1				

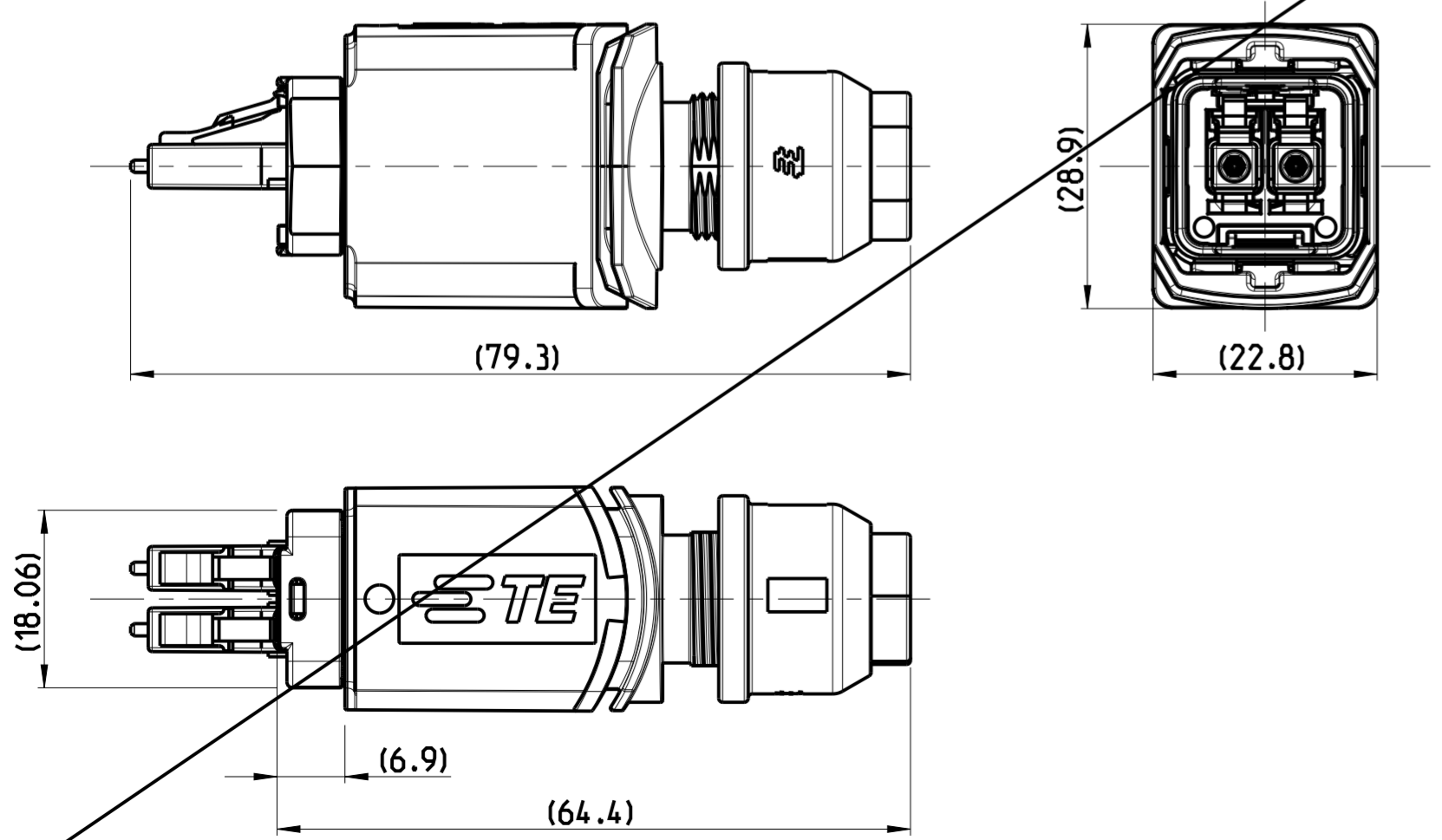


2--1 AS SHOWN
2--1 WIE GEZEICHNET

- 1 MOUNTING-CYCLE:
- APPLICATION SEE INSTRUCTION SHEET 411-18565
 - 2 PACKAGING:
- CONNECTOR SET PACKED INTO BLISTER PACKAGE
- BLISTER PACKAGE PACKED INTO CARTON
 - 3 CONNECTOR APPLICATION ACC. INSTRUCTION SHEET 408-8925
 - 4 NOT SHOWN
-
- 1 MONTAGE:
- VERARBEITUNG SIEHE MONTAGEANWEISUNG 411-18565
 - 2 VERPACKUNG:
- STECKER SET IN BLISTERVERPACKUNG VERPACKT
- BLISTERVERPACKUNG IN KARTON VERPACKT
 - 3 STECKVERBINDER MONTAGE NACH ARBEITSANWEISUNG 408-8925
 - 4 NICHT DARGESTELLT

OBSOLETE

DIMENSION IN ASSEMBLED CONDITION
MASSE IM ASSEMBLIERTEN ZUSTAND
SCALE / M 3:2

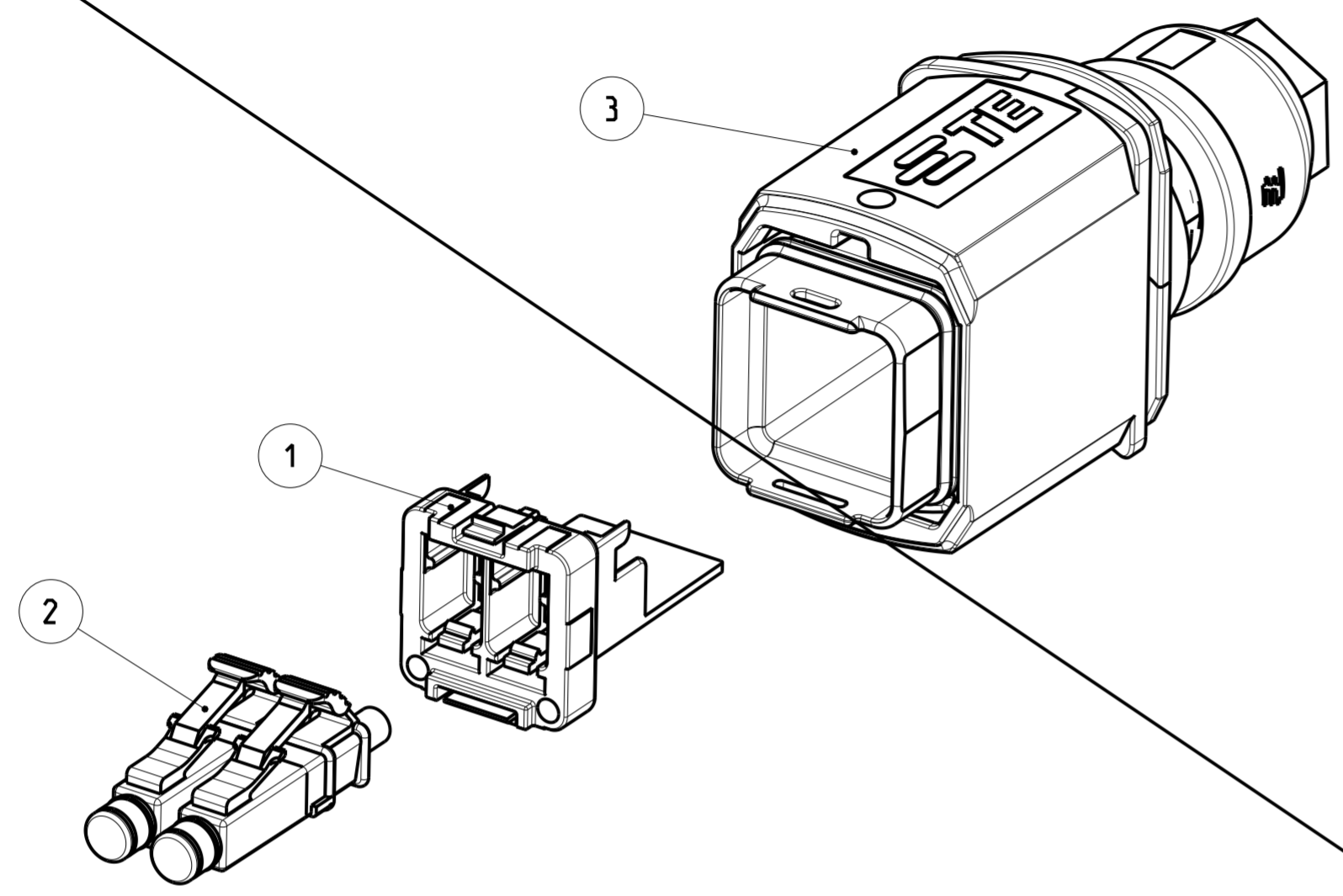


Size ISO 14405 (E)

QUANTITY STÜCK		ITEM-NO. POS.	DESCRIPTION BENENNUNG	SURFACE OBERFLÄCHE COLOUR/FARBE	MATERIAL
-	-	1	5 BLISTER PACKAGE BLISTERVERPACKUNG	-	-
-	-	1	4 INSTRUCTION SHEET MONTAGEANWEISUNG	-	-
-	-	1	3 PUSH PULL. SUB-ASSY PUSH PULL. SUB-ASSY	3-5 µm Ni OVER 8 µm Cu	ZP0410 DIN 12833
-	-	2	2 CONNECTOR ASSEMBLY ONE-PIECE LC. SINGLE MODE GLASFASERVERBINDER. LC. SINGLEMODE	BLUE BLAU	-
-	-	1	1 ADAPTER FIBER OPTIC PLUG. VARIANTE 14 ADAPTER FIBER OPTIC STECKER. VARIANTE 14	BLACK SCHWARZ	PBT-GF20

THIS DRAWING IS A CONTROLLED DOCUMENT. DIMENSIONING AND TOLERANCING PER GPS (ISO STANDARDS).		DWH S. HASS 20SEP2013	 TE Connectivity
DIMENSIONS: MASSE/WEITEN: IT/III		CHK M. STRELOW 20SEP2013	
TOLERANCES UNLESS OTHERWISE SPECIFIED: ALLGEMEINTOLERANZEN		APVD C. SCHRETTLINGER 20SEP2013	
0 PLC ±0.2 1 PLC ±0.2 2 PLC ±0.2 3 PLC ± 4 PLC ± ANGLES/WINKEL ±2° FINISH/OBERFLÄCHE/FARBE		NAME VARIANTE 14. PLUG METAL VARIANTE 14. PLUG METAL FIBER OPTIC. LC. SINGLE MODE (BLUE)	
MATERIAL	-	WEIGHT GEWICHT 74.9g	SIZE A2 CAGE CODE 00779 DRAWING NO. ZEICHNUNGS-NR. C-2120864 RESTRICTED TO NUR FÜR
Customer Drawing		/KUNDENZEICHNUNG SCALE MASSSTAB 2:1 SHEET BLATT 3 OF 5 REV B2	

REVISIONS		DATE	DWH	APVD
NO.	DESCRIPTION			
1	SEE SHEET 1	-	-	-

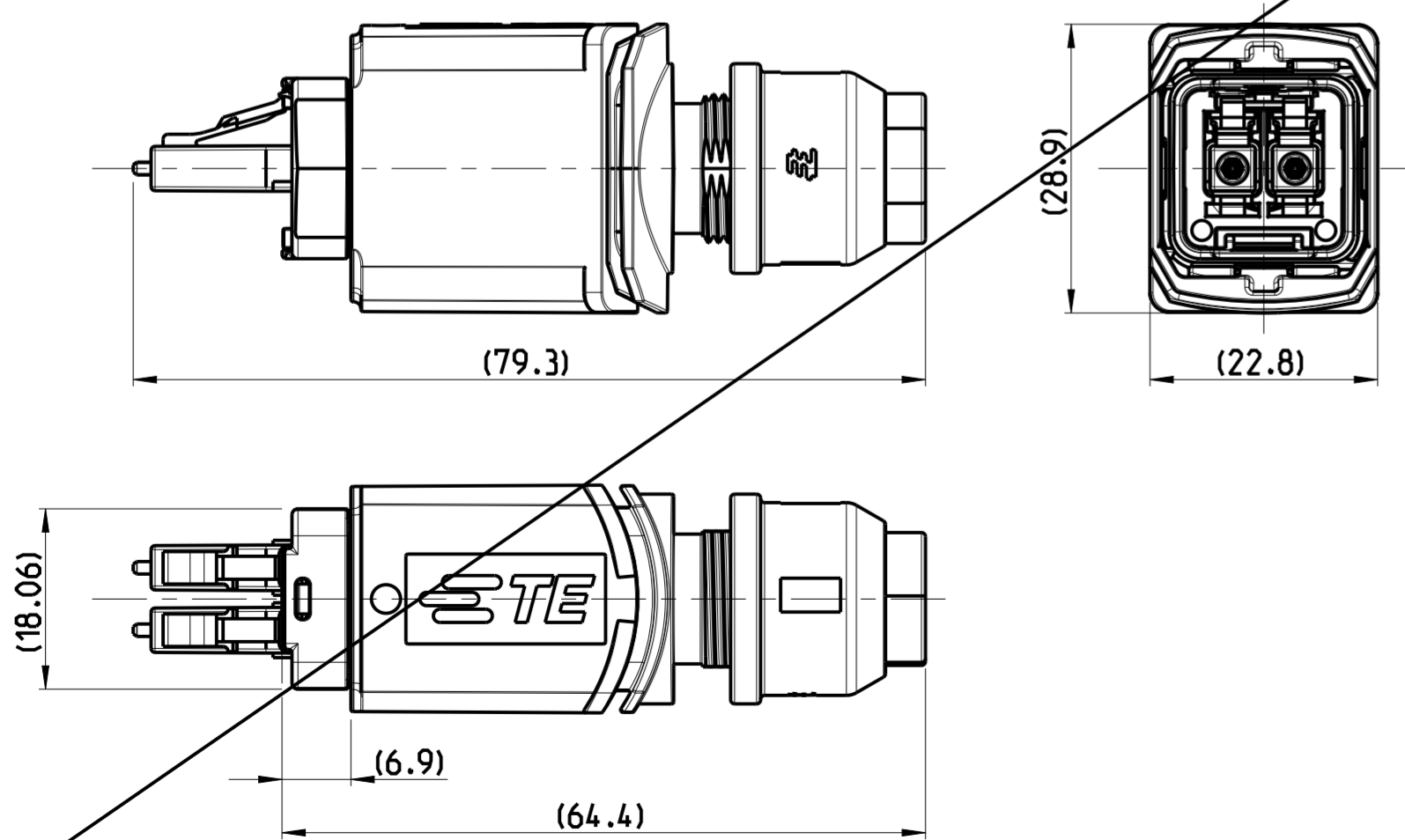


- 1 MOUNTING-CYCLE:
 - APPLICATION SEE INSTRUCTION SHEET 411-18565
 - 2 PACKAGING:
 - CONNECTOR SET PACKED INTO BLISTER PACKAGE
 - BLISTER PACKAGE PACKED INTO CARTON
 - 3 CONNECTOR APPLICATION ACC. INSTRUCTION SHEET 408-8925
 - 4 NOT SHOWN
-
- 1 MONTAGE:
 - VERARBEITUNG SIEHE MONTAGEANWEISUNG 411-18565
 - 2 VERPACKUNG:
 - STECKER SET IN BLISTERVERPACKUNG VERPACKT
 - BLISTERVERPACKUNG IN KARTON VERPACKT
 - 3 STECKVERBINDER MONTAGE NACH ARBEITSANWEISUNG 408-8925
 - 4 NICHT DARGESTELLT

3-1 AS SHOWN
3-1 WIE GEZEICHNET

OBSOLETE

DIMENSION IN ASSEMBLED CONDITION
MASSE IM ASSEMBLIERTEN ZUSTAND
SCALE / M 3:2



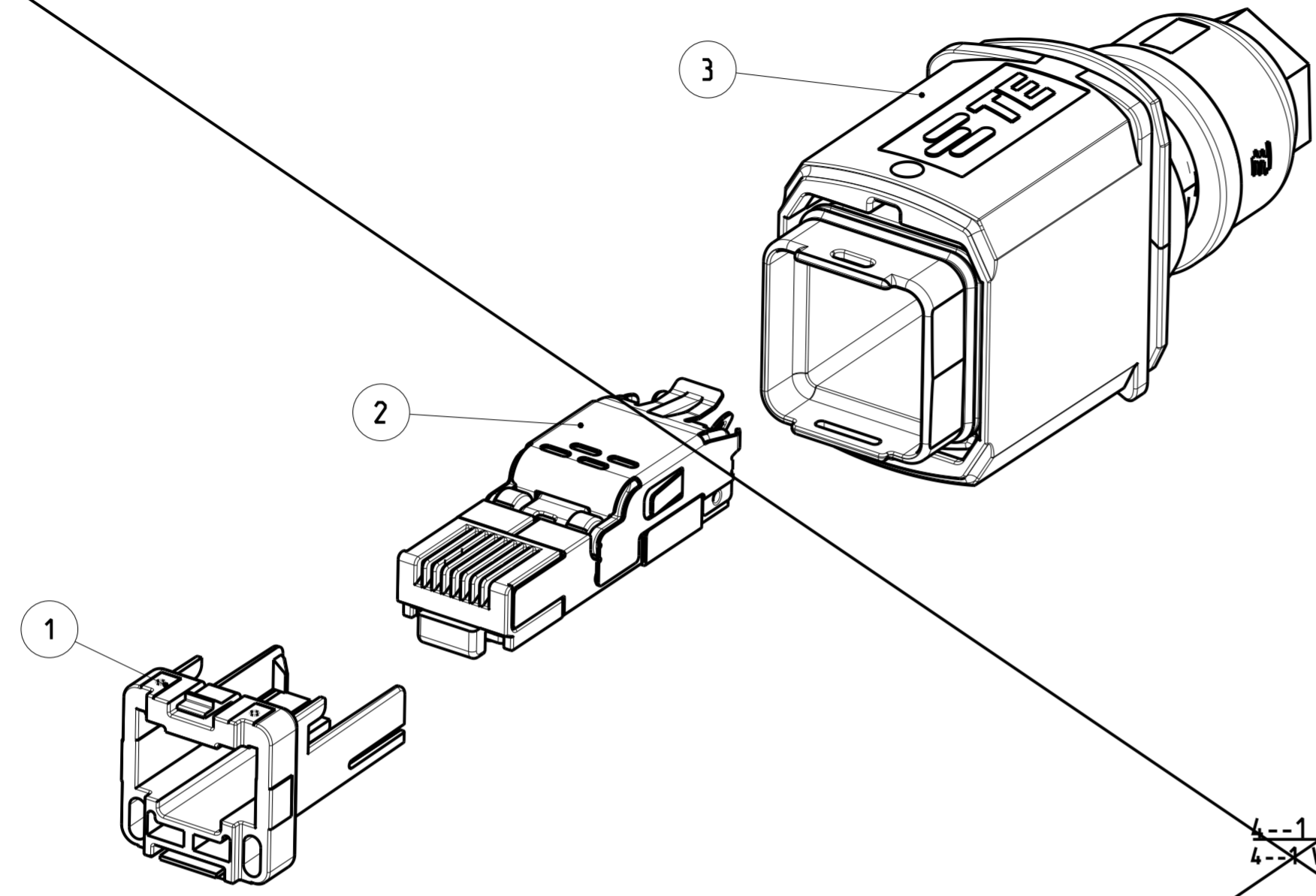
QUANTITY		ITEM-NO.	DESCRIPTION	SURFACE	MATERIAL
STÜCK		POS.	BENENNUNG	OBERFLÄCHE	
				COLOUR/FARBE	
-	-	1	5 BLISTER PACKAGE BLISTERVERPACKUNG	-	-
-	-	1	4 INSTRUCTION SHEET MONTAGEANWEISUNG	-	-
-	-	1	3 PUSH PULL, SUB-ASSY PUSH PULL, SUB-ASSY	3-5 µm Ni OVER 8 µm Cu	ZP0410 DIN 12833
-	-	2	2 CONNECTOR ASSEMBLY ONE-PIECE LC, MULTI MODE GLASFASERVERBINDER, LC, MULTIMODE	BLACK SCHWARZ	-
-	-	1	1 ADAPTER FIBER OPTIC PLUG, VARIANT 14 ADAPTER FIBER OPTIC PLUG, VARIANTE 14	BLACK SCHWARZ	PBT-GF20

THIS DRAWING IS A CONTROLLED DOCUMENT. DIMENSIONING AND TOLERANCING PER GPS (ISO STANDARDS).		DWH S. HASS 20SEP2013	 TE Connectivity
DIMENSIONS: MASSE/MÄßEN: IT/III		CHK M. STRELOW 20SEP2013	
TOLERANCES UNLESS OTHERWISE SPECIFIED: ALLGEMEINTOLERANZEN		APVD C. SCHRETTLINGER 20SEP2013	
0 PLC ±0.2 1 PLC ±0.2 2 PLC ±0.2 3 PLC ± 4 PLC ± ANGLES/WINKEL ±2° FINISH/OBERFLÄCHE/FARBE		NAME VARIANT 14, PLUG METAL VARIANTE 14, PLUG METALL FIBER OPTIC, LC, MULTI MODE (BEIGE) PRODUCT SPEC 108-94207 APPLICATION SPEC VERARBEITUNGSSPEZ. WEIGHT GEWICHT 74.9g Customer Drawing	

SIZE A2	CAGE CODE 00779	DRAWING NO. ZEICHNUNGS-NR. C-2120864	RESTRICTED TO MUR FUER
SCALE MASSSTAB 2:1	SHEET BLATT 4	OF VON 5	REV B2

Size ISO 14405 (E)

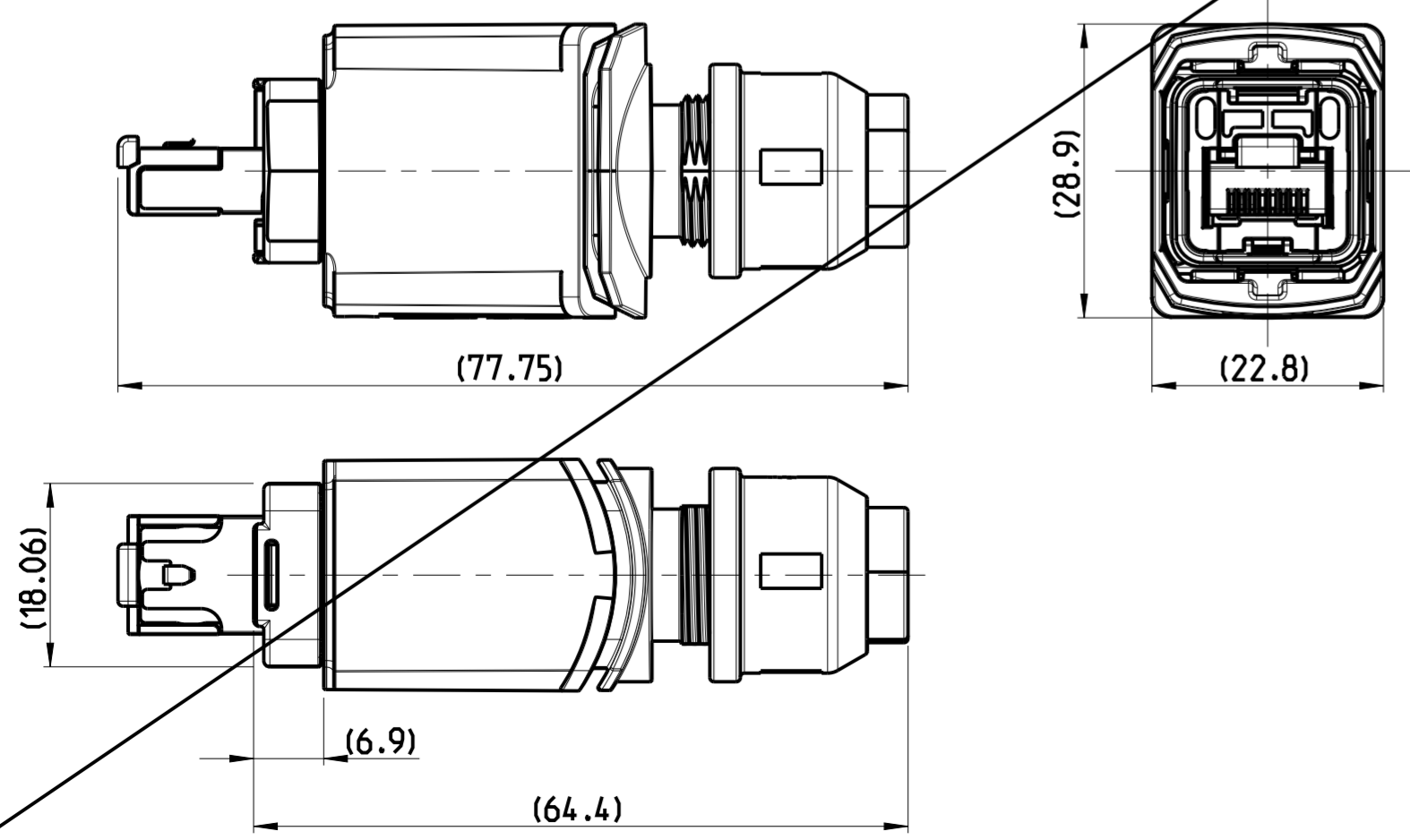
P	LTR	REVISIONS ÄNDERUNGEN	DESCRIPTION BESCHREIBUNG	DATE	DWH	APVD
-	-	SEE SHEET 1				



- 1 MOUNTING-CYCLE:
- APPLICATION SEE INSTRUCTION SHEET 411-18564
 - 2 PACKAGING:
- CONNECTOR SET PACKED INTO BLISTER PACKAGE
- BLISTER PACKAGE PACKED INTO CARTON
 - 3 RJ45 APPLICATION ACC. IEC 60076-3-117 and INTERFACE DIM.
 - 4 NOT SHOWN
-
- 1 MONTAGE:
- VERARBEITUNG SIEHE MONTAGEANWEISUNG 411-18564
 - 2 VERPACKUNG:
- STECKER SET IN BLISTERVERPACKUNG VERPACKT
- BLISTERVERPACKUNG IN KARTON VERPACKT
 - 3 RJ45 ANWENDUNG NACH IEC 60076-3-117 UND SCHNITTSTELLENMASSE
 - 4 NICHT DARGESTELLT

OBSOLETE

DIMENSION IN ASSEMBLED CONDITION
MASSE IM ASSEMBLIERTEN ZUSTAND
SCALE / M 3:2



Size ISO 14405 (E)

QUANTITY STÜCK		ITEM-NO. POS.	DESCRIPTION BENENNUNG	SURFACE OBERFLÄCHE COLOUR/FARBE	MATERIAL
-	-	1	5 BLISTER PACKAGE BLISTERVERPACKUNG	-	-
-	-	1	4 INSTRUCTION SHEET MONTAGEANWEISUNG	-	-
-	-	1	3 PUSH PULL. SUB-ASSY PUSH PULL. SUB-ASSY	3-5 µm Ni OVER 8 µm Cu	ZP0410 DIN 12833
-	-	1	2 CORE 4POS. ASSY KERN 4POL. ASSY	-	-
-	-	1	1 ADAPTER RJ45, CAT5e, VARIANTE 14, PLUG ADAPTER RJ45, CAT5e, VARIANTE 14, STECKER	BLACK SCHWARZ	PBT-GF20

THIS DRAWING IS A CONTROLLED DOCUMENT. DIMENSIONING AND TOLERANCING PER GPS (ISO STANDARDS).		DWH S. HASS 20SEP2013	<p>TE Connectivity</p>
DIMENSIONS: MASSE/MAßSTÄBE: (mm)		CHK M. STRELOW 20SEP2013	
TOLERANCES UNLESS OTHERWISE SPECIFIED: ALLGEMEINTOLERANZEN		APVD C. SCHREITLINGER 20SEP2013	
0 PLC ±0.2 1 PLC ±0.2 2 PLC ±0.2 3 PLC ± 4 PLC ± ANGLES/WINKEL ±2° FINISH/OBERFLÄCHE/FARBE		NAME VARIANTE 14, PLUG METAL VARIANTE 14, PLUG METALL RJ45, CAT5e, 4POS	
MATERIAL	-	PRODUCT SPEC 108-94207	SIZE A2
		APPLICATION SPEC VERARBEITUNGSSPEZ.	CAGE CODE 00779
		WEIGHT 78.6g	DRAWING NO. C-2120864
		Customer Drawing	RESTRICTED TO MUR FÜR

X-ON Electronics

Largest Supplier of Electrical and Electronic Components

Click to view similar products for [Modular Connectors / Ethernet Connectors](#) category:

Click to view products by [TE Connectivity](#) manufacturer:

Other Similar products are found below :

[8949-H88/06BLKA/SN](#) [74441-0010/BKN](#) [MP1010RX-1000](#) [MP44RX-1000](#) [PHJ-4P4C-1-V-4](#) [PHP-6P6C-5](#) [GAX-3-66](#) [GAX-8-62](#) [GDCX-PA-66-50](#) [GDCX-PN-64](#) [GDCX-PN-66](#) [GDCX-PN-66-50](#) [GDLX-A-66](#) [GDLX-N-66](#) [GDLX-S-66](#) [GDLX-S-88K](#) [GDLX-SMT-S-88](#) [GDTX-S-88-50](#) [GDX-PA-1010](#) [GLX-N-1010M-BLK](#) [GLX-S-88M-BLK](#) [GMX-N-1010](#) [GMX-S-1010](#) [GMX-S-66](#) [GMX-SMT4-N-88](#) [GPX-2-64](#) [GSGX-N-2-88](#) [GSGX-N-4-88](#) [GSX-NS2-88-3.05](#) [GSX-NS2-88-3.05-50](#) [GSX-NS-88-3.05-50](#) [PT-108A-8C-UL](#) [PT-J951-8C](#) [PTS-J531-8CS-50UL](#) [1-1775629-2](#) [A-2014-0-4](#) [GWLX-S-88-GR](#) [GWLX-S9-88-YG](#) [DC-1021-8-WH-6](#) [1300530003](#) [1324640-4](#) [RJ11FTVC2G](#) [RJ11FTVC2N](#) [RJFTVX2SA1G](#) [132764-001](#) [1413235](#) [MP88X-1000](#) [MPS88RX-5000](#) [E5288-S000K3-L](#) [E5908-15A242-L](#)