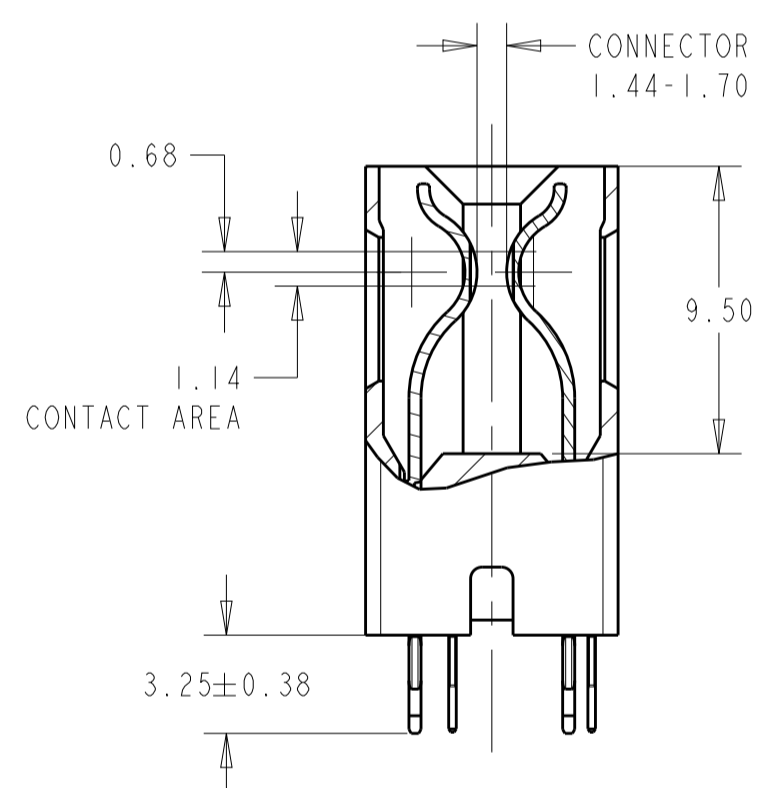
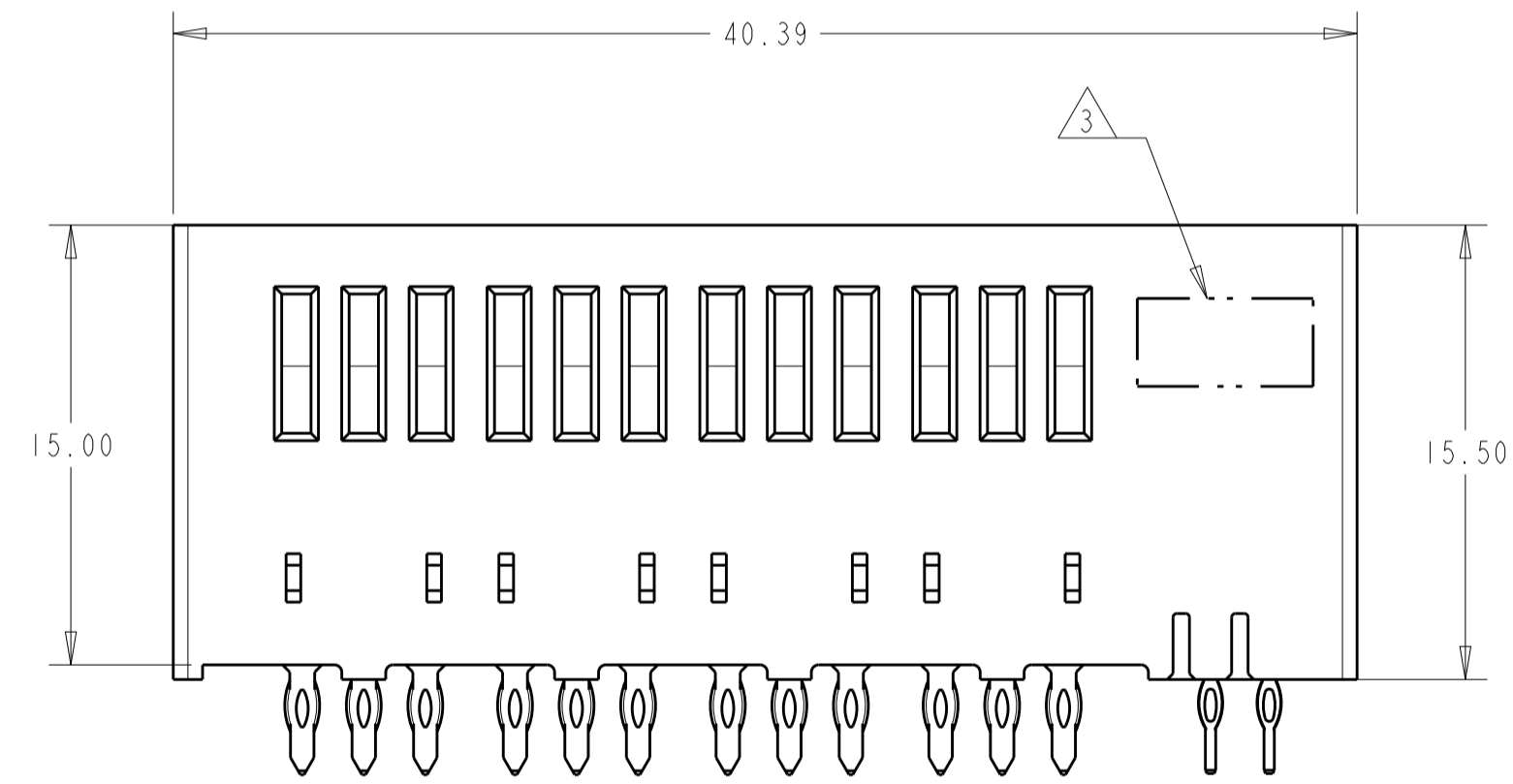
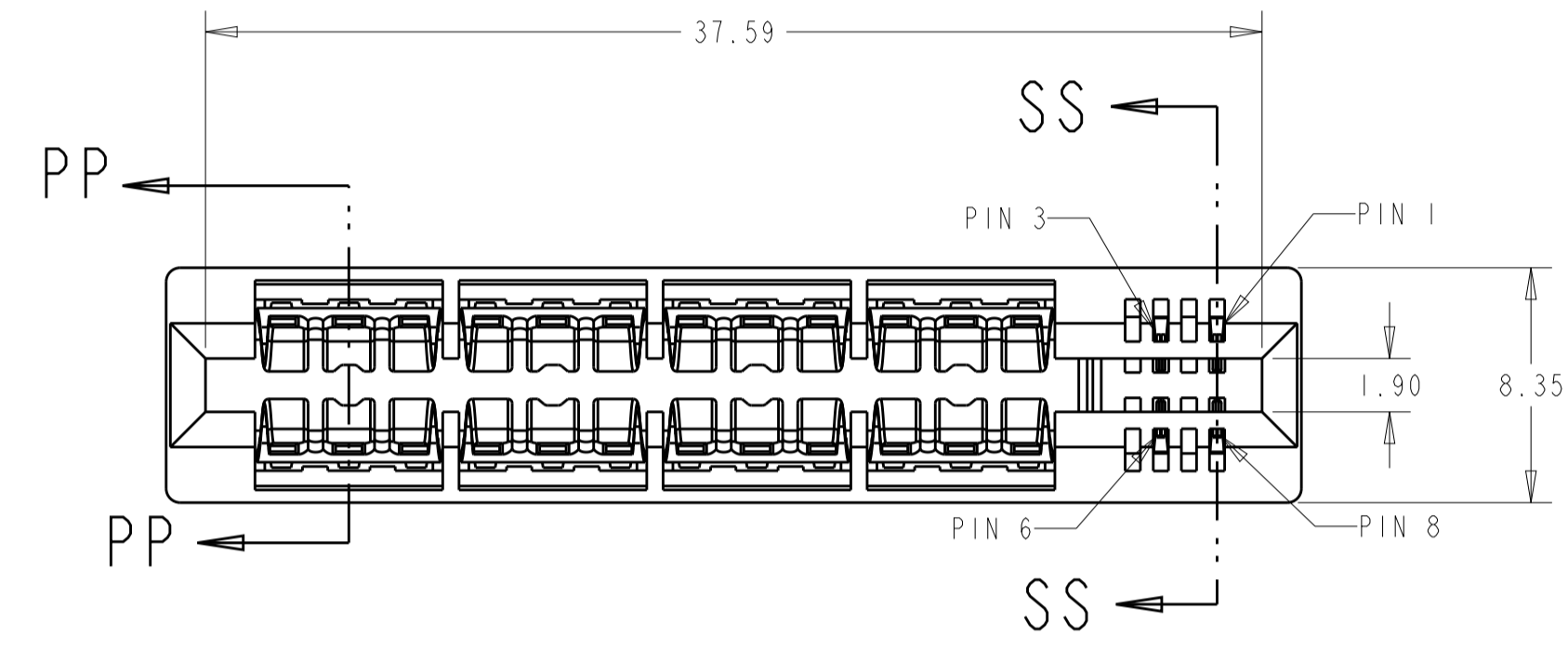
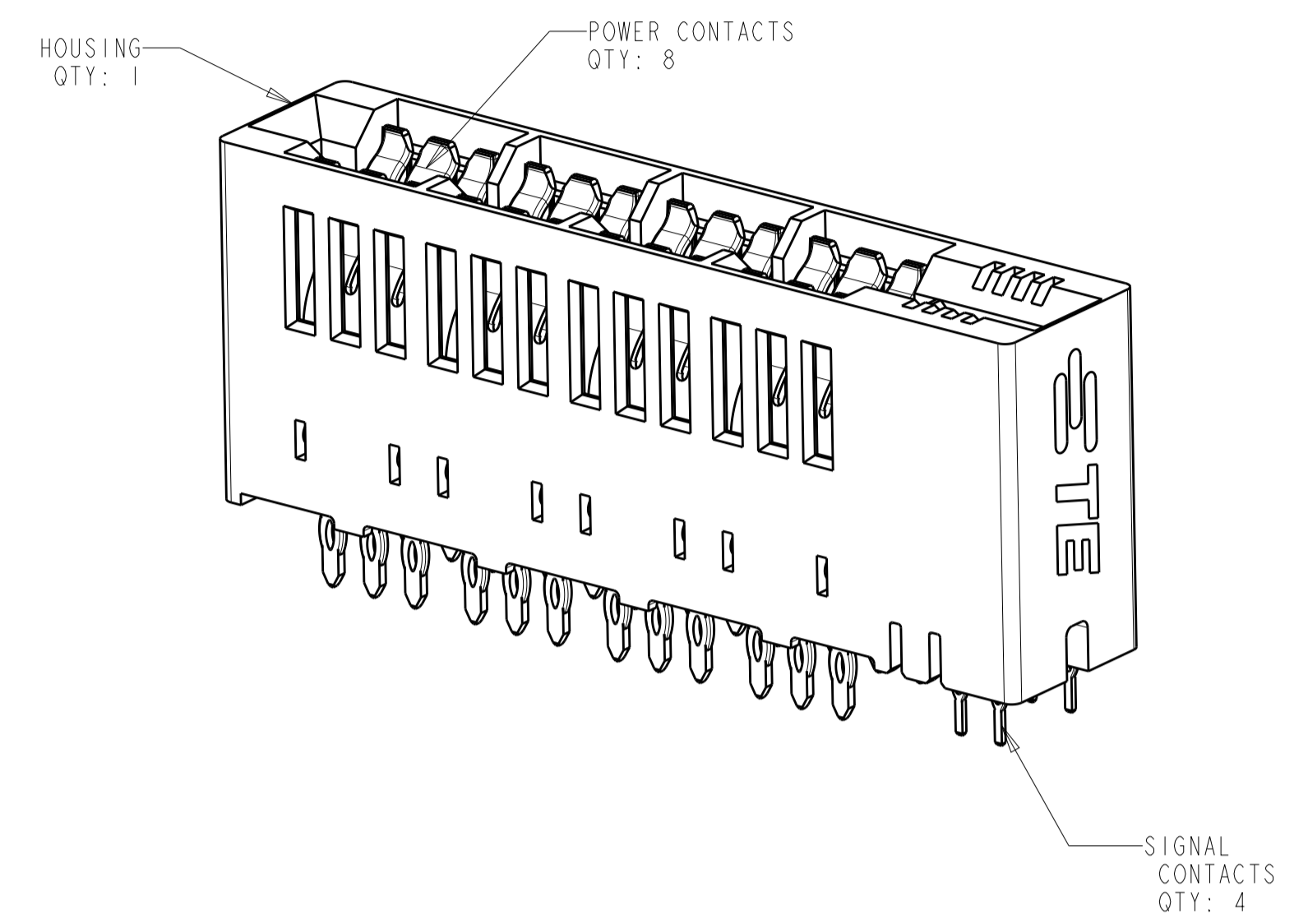
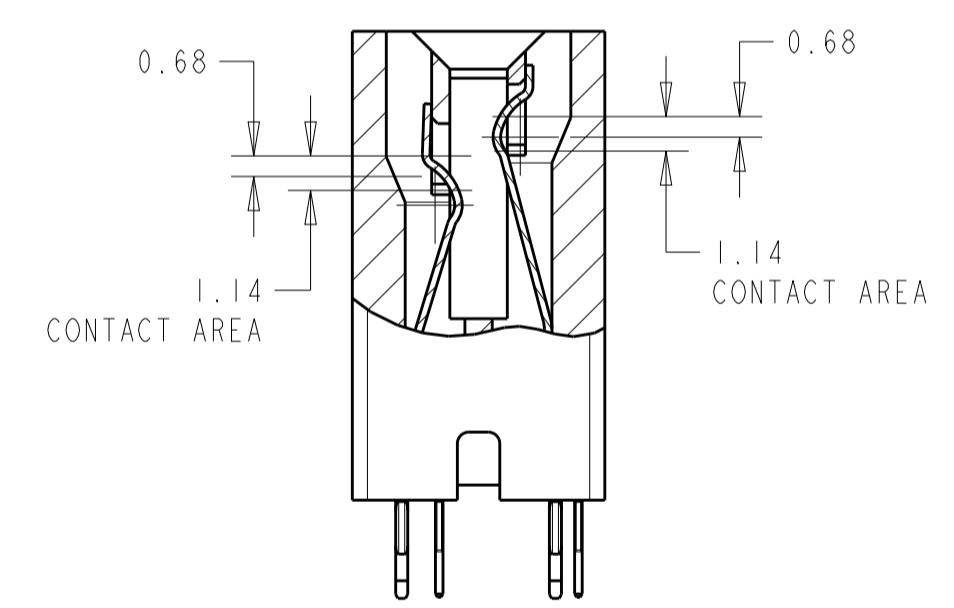


LOC		DIST		REVISIONS			
AA	00	P	LTN	DESCRIPTION	DATE	DWN	APVD
		A		FIRST RELEASE	30AUG2016	SZ	SZ

- MATERIAL: HOUSING - THERMOPLASTIC, GLASS REINFORCED, COLOR: BLACK  
CONTACT - COPPER ALLOY
- FINISH: CONTACT - GOLD PLATED OVER NICKEL  
SOLDER TAILS - MATTE TIN OVER NICKEL
- CONNECTOR ASSEMBLY MARKED WITH PART NUMBER AND DATE CODE IN THE APPROXIMATE AREA SHOWN
- DATUMS AND BASIC DIMENSIONS TO BE ESTABLISHED BY CUSTOMER
- MANUFACTURING TOLERANCE FOR 1.07mm DIAMETER FINISHED HOLE:  
DRILLED HOLE = 1.16+/-0.03mm  
COPPER PLATE = 0.050/0.025mm (MAX HARDNESS 150 KNOOP)  
TIN/LEAD PLATE (HASL) = 0.010/0.004mm
- MANUFACTURING TOLERANCE FOR 0.70mm DIAMETER FINISHED HOLE:  
DRILLED HOLE = 0.79+/-0.03mm  
COPPER PLATE = 0.050/0.025mm (MAX HARDNESS 150 KNOOP)  
TIN/LEAD PLATE (HASL) = 0.010/0.004mm



SECTION PP-PP  
POWER CONTACTS

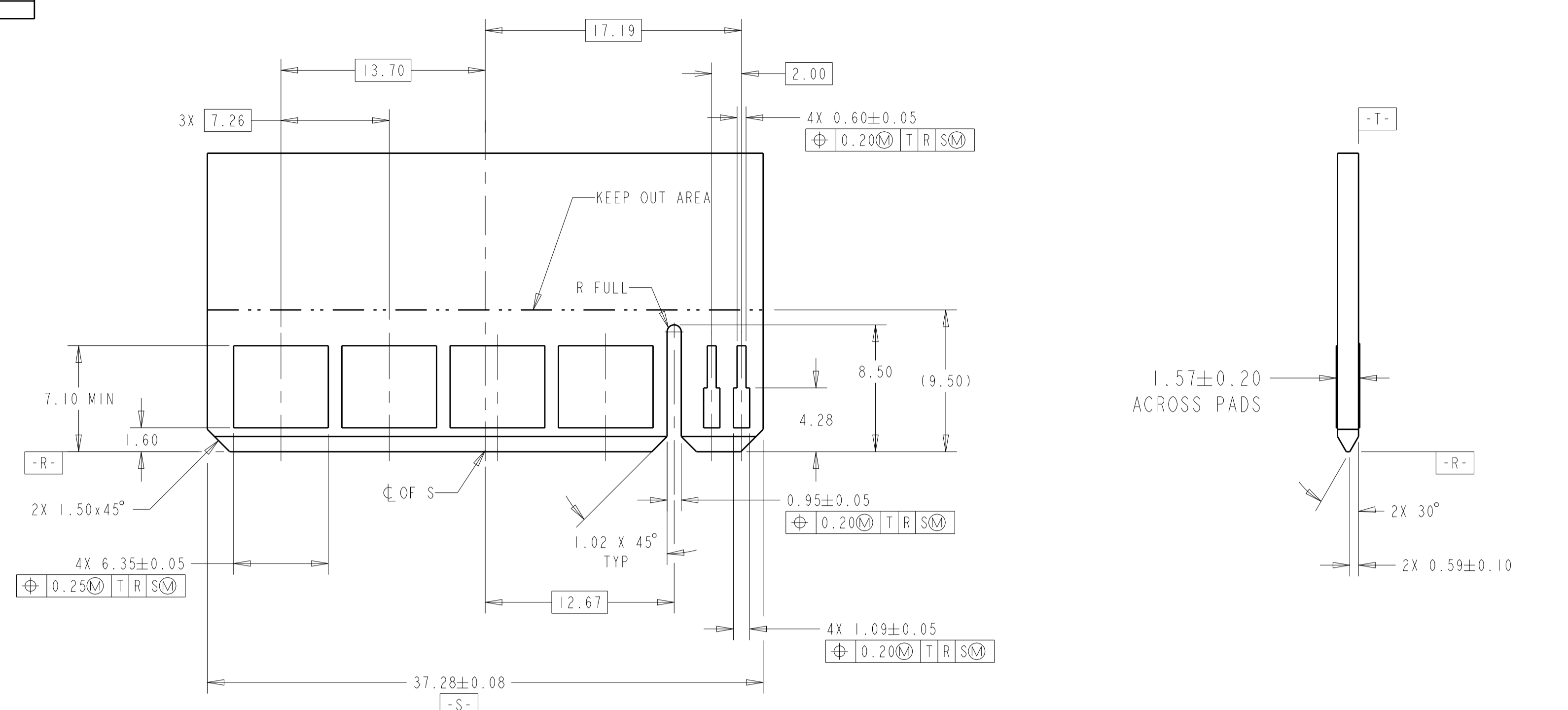


SECTION SS-SS  
SIGNAL CONTACTS

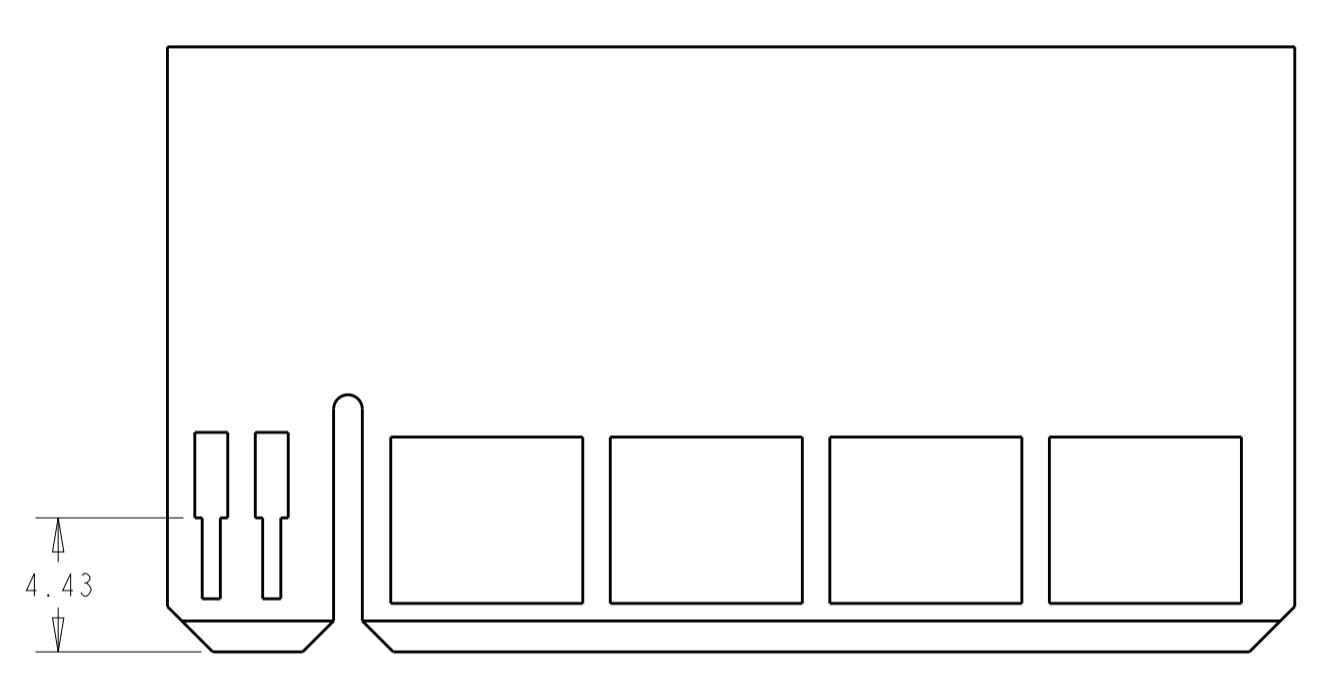
PIN 1, 3, 6, 8	2 X 4 POWER 2 X 4 SIGNAL	2212112-1
SELECT LOADED	DESCRIPTION	PART NUMBER

THIS DRAWING IS A CONTROLLED DOCUMENT.		DWN: L.A. WENSEL 07NOV2012	
DIMENSIONS:		CHK: D. DEFIBAUGH 07NOV2012	
TOLERANCES UNLESS OTHERWISE SPECIFIED:		APVD: S. FLICKINGER 07NOV2012	
mm		PRODUCT SPEC	
0 PLC	±	APPLICATION SPEC	NAME: CONNECTOR ASSEMBLY, MULTI-BEAM CE, POWER/SIGNAL, VERTICAL, PRESS FIT, SELECT LOADED
1 PLC	±0.5		SIZE: A1
2 PLC	±0.25		CAGE CODE: 00779
3 PLC	±		DRAWING NO: 2212112
4 PLC	±		RESTRICTED TO: -
ANGLES	±		WEIGHT: -
MATERIAL: SEE NOTE 1	FINISH: SEE NOTE 2	CUSTOMER DRAWING	SCALE: 4:1
			SHEET 1 OF 2
			REV A

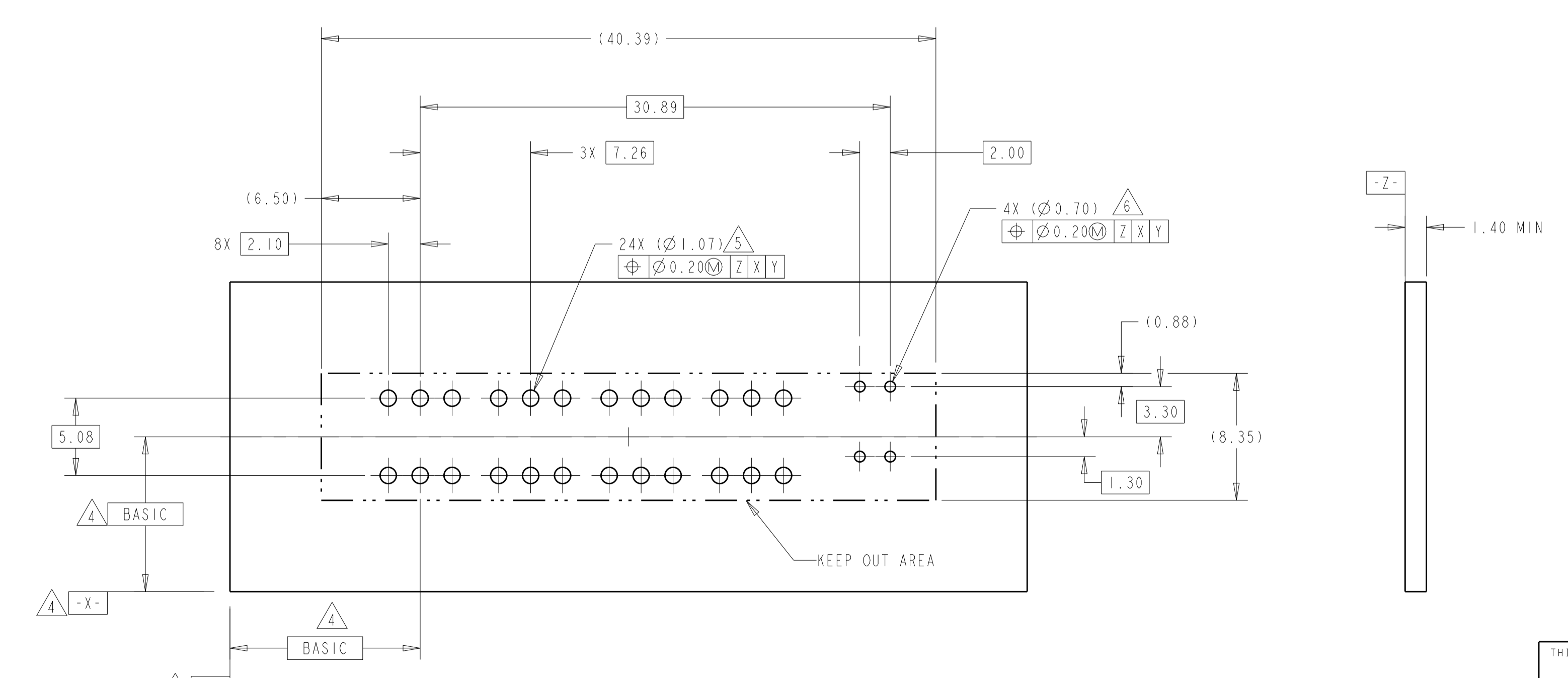
LOC	DIST	REVISIONS					
		P	LTN	DESCRIPTION	DATE	DWN	APVD
AA	00	-	-	SEE SHEET 1	-	-	-



RECOMMENDED MATING BOARD EDGE CONFIGURATION  
(PRIMARY SIDE SHOWN)



RECOMMENDED MATING BOARD EDGE CONFIGURATION  
(SECONDARY SIDE SHOWN)



RECOMMENDED PC BOARD HOLE LAYOUT  
COMPONENT SIDE

THIS DRAWING IS A CONTROLLED DOCUMENT.		DWN L.A. WENSEL 07NOV2012	TE Connectivity										
DIMENSIONS: mm		CHK D. DEFIBAUGH 07NOV2012											
TOLERANCES UNLESS OTHERWISE SPECIFIED:		APVD S. FELICKINGER 07NOV2012	NAME CONNECTOR ASSEMBLY, MULTI-BEAM CE, POWER/SIGNAL, VERTICAL, PRESS FIT, SELECT LOADED										
<table border="1"> <tr> <td>0 PLC</td> <td>±</td> </tr> <tr> <td>1 PLC</td> <td>±0.3</td> </tr> <tr> <td>2 PLC</td> <td>±0.13</td> </tr> <tr> <td>3 PLC</td> <td>±</td> </tr> <tr> <td>4 PLC</td> <td>±</td> </tr> </table>		0 PLC	±	1 PLC	±0.3	2 PLC	±0.13	3 PLC	±	4 PLC	±	PRODUCT SPEC	SIZE A1
0 PLC	±												
1 PLC	±0.3												
2 PLC	±0.13												
3 PLC	±												
4 PLC	±												
MATERIAL SEE NOTE 1		APPLICATION SPEC	CAGE CODE DRAWING NO 00779 ©=2212112										
FINISH SEE NOTE 2		WEIGHT	RESTRICTED TO										
CUSTOMER DRAWING		SCALE 4:1	SHEET 2 OF 2 REV A										

## X-ON Electronics

Largest Supplier of Electrical and Electronic Components

*Click to view similar products for [Power to the Board](#) category:*

*Click to view products by [TE Connectivity](#) manufacturer:*

Other Similar products are found below :

[6450171-4](#) [6450552-7](#) [6600323-8](#) [6643429-1](#) [6646040-2](#) [6651939-1](#) [6766604-1](#) [120959-1](#) [1393557-2](#) [1393532-2](#) [1393532-3](#) [1393532-4](#)  
[1393557-1](#) [1600812-5](#) [1-6450861-2](#) [1744132-7](#) [1761122-1](#) [1766250-1](#) [1892109-1](#) [2-6450860-5](#) [2-6450870-0](#) [1-6450161-4](#) [1-6450850-6](#) [1-](#)  
[6450869-6](#) [1645526-2](#) [1-6600130-0](#) [2005243-2](#) [377-0020-11130](#) [TE34-12-16P-F0](#) [51700-10201602AALF](#) [5-6450830-6](#) [5646956-4](#) [377-](#)  
[0080-11131A](#) [4-6450830-9](#) [4-6600333-3](#) [10125416-4050LF](#) [10130248-005LF](#) [6600320-3](#) [3-6450860-5](#) [1888123-2](#) [6450166-1](#) [6643978-1](#)  
[6766605-1](#) [701-15-02109](#) [N11444](#) [6651938-1](#) [6450810-7](#) [46437-1112](#) [1-1589677-8](#) [5646956-5](#)