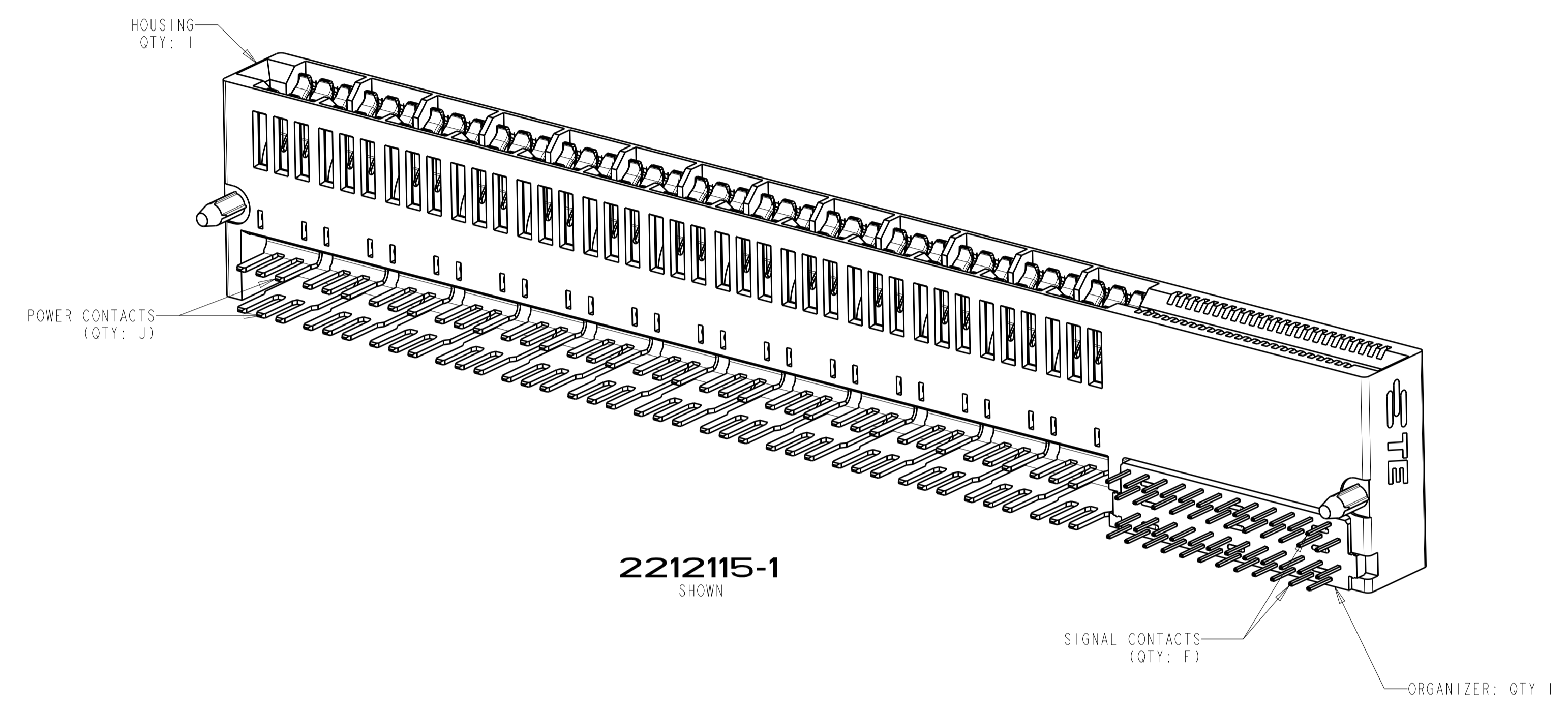


LOC	DIST	REVISIONS			
P	LTN	DESCRIPTION	DATE	DWN	APVD
A		FIRST RELEASE	15JUL2016	SZ	SZ

- MATERIAL: HOUSING - THERMOPLASTIC, GLASS REINFORCED, COLOR: BLACK.  
CONTACT - COPPER ALLOY
- FINISH: CONTACT - GOLD PLATED OVER NICKEL.  
SOLDER TAILS - MATTE TIN OVER NICKEL
- CONNECTOR ASSEMBLY MARKED WITH PART NUMBER AND DATE CODE IN THE APPROXIMATE AREA SHOWN
- DATUMS AND BASIC DIMENSIONS TO BE ESTABLISHED BY CUSTOMER
- MANUFACTURING TOLERANCE FOR 1.07mm DIAMETER FINISHED HOLE:  
DRILLED HOLE = 1.15+/-0.03mm  
COPPER PLATE = 0.050/0.025mm (MAX HARDNESS 150 KNOOP)  
TIN/LEAD PLATE (HASL) = 0.010/0.004mm
- MANUFACTURING TOLERANCE FOR 0.70mm DIAMETER FINISHED HOLE:  
DRILLED HOLE = 0.78+/-0.03mm  
COPPER PLATE = 0.050/0.025mm (MAX HARDNESS 150 KNOOP)  
TIN/LEAD PLATE (HASL) = 0.010/0.004mm



2.92	3.50	16.22	2.81	15.50	4	6.30	1.78	2	9.11	4	8	6	6	0	15.81	18.61	2 X 1 POWER 2 X 4 SIGNAL	1-2212115-4
2.92	3.50	36.74	13.07	36.02	10	16.56	6.04	6	29.63	12	20	18	18	4	36.33	39.13	2 X 3 POWER 2 X 10 SIGNAL	1-2212115-3
2.92	3.50	44.74	17.07	44.02	18	20.56	2.04	6	37.63	12	36	34	18	4	44.33	47.13	2 X 3 POWER 2 X 18 SIGNAL	1-2212115-2
2.92	3.50	31.48	10.44	30.76	12	13.93	1.41	4	24.37	8	24	22	12	2	31.07	33.87	2 X 2 POWER 2 X 12 SIGNAL	1-2212115-1
2.92	3.50	24.22	6.81	23.50	12	10.30	-2.22	2	17.11	4	24	22	6	0	23.81	26.61	2 X 1 POWER 2 X 12 SIGNAL	2212115-9
4.45	5.00	60.52	24.96	59.80	12	28.45	15.93	12	53.41	24	24	22	36	10	60.11	62.91	2 X 6 POWER 2 X 12 SIGNAL	2212115-8
2.92	3.50	60.52	24.96	59.80	12	28.45	15.93	12	53.41	24	24	22	36	10	60.11	62.91	2 X 6 POWER 2 X 12 SIGNAL	2212115-7
4.45	5.00	42.00	15.70	41.28	8	19.19	10.67	8	34.89	16	16	14	24	6	41.59	44.39	2 X 4 POWER 2 X 8 SIGNAL	2212115-6
2.92	3.50	42.00	15.70	41.28	8	19.19	10.67	8	34.89	16	16	14	24	6	41.59	44.39	2 X 4 POWER 2 X 8 SIGNAL	2212115-5
4.45	5.00	23.48	6.44	22.76	4	9.93	5.41	4	16.37	8	8	6	12	2	23.07	25.87	2 X 2 POWER 2 X 4 SIGNAL	2212115-4
2.92	3.50	23.48	6.44	22.76	4	9.93	5.41	4	16.37	8	8	6	12	2	23.07	25.87	2 X 2 POWER 2 X 4 SIGNAL	2212115-3
4.45	5.00	123.34	56.37	122.62	24	59.86	35.34	26	116.23	52	48	46	78	24	122.93	125.73	2 X 13 POWER X 2 X 24 SIGNAL	2212115-2
2.92	3.50	123.34	56.37	122.62	24	59.86	35.34	26	116.23	52	48	46	78	24	122.93	125.73	2 X 13 POWER X 2 X 24 SIGNAL	2212115-1
EE	DD	R	P	N	M	L	K	J	H	G	F	E	D	C	B	A	DESCRIPTION	PART NUMBER

THIS DRAWING IS A CONTROLLED DOCUMENT.

DIMENSIONS: mm

TOLERANCES UNLESS OTHERWISE SPECIFIED:

0 PLC	±
1 PLC	±0.5
2 PLC	±0.25
3 PLC	±
4 PLC	±
ANGLES	±0.4°

MATERIAL: SEE NOTE 1

FINISH: SEE NOTE 2

APPROVED: S. FLICKINGER

DATE: 01MAR2013

PRODUCT SPEC: -

APPLICATION SPEC: -

WEIGHT: -

CUSTOMER DRAWING

SCALE: 3:1

SHEET 1 OF 3

REV A

TE Connectivity

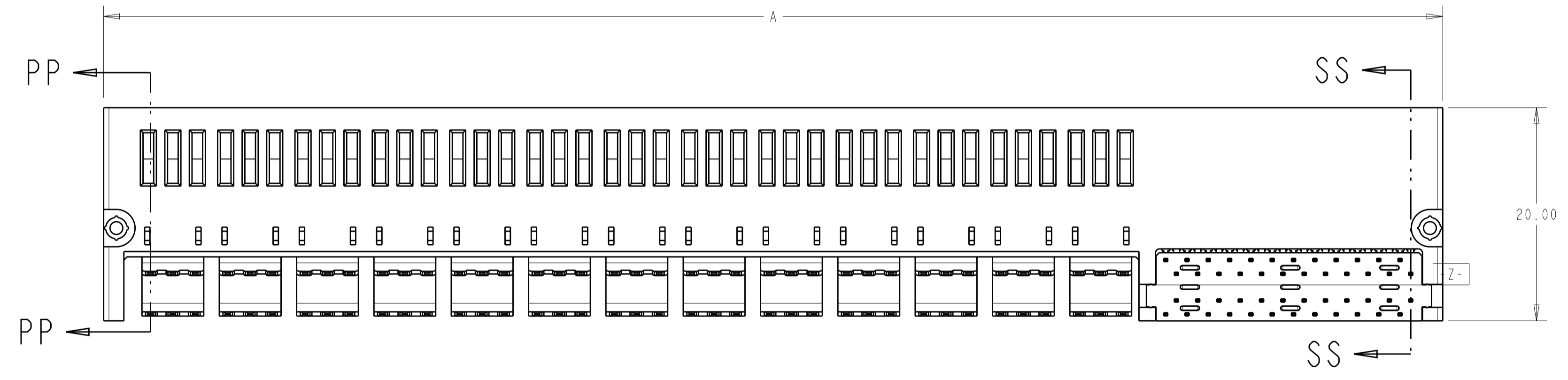
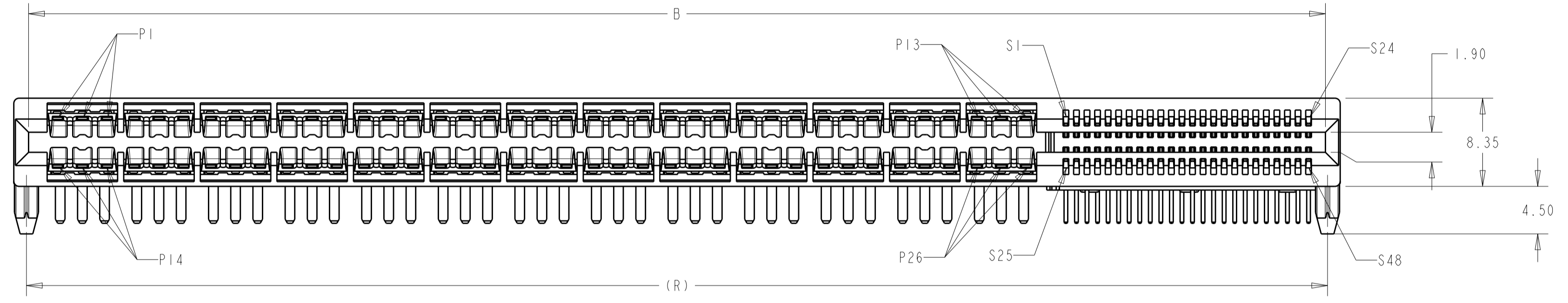
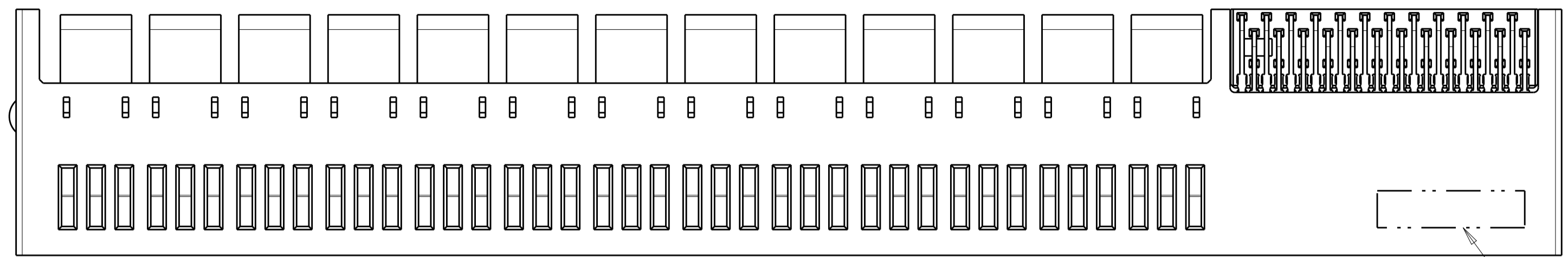
CONNECTOR ASSEMBLY, MULTI-BEAM CE, POWER/SIGNAL, RIGHT ANGLE, SOLDER MOUNT

SIZE: A1

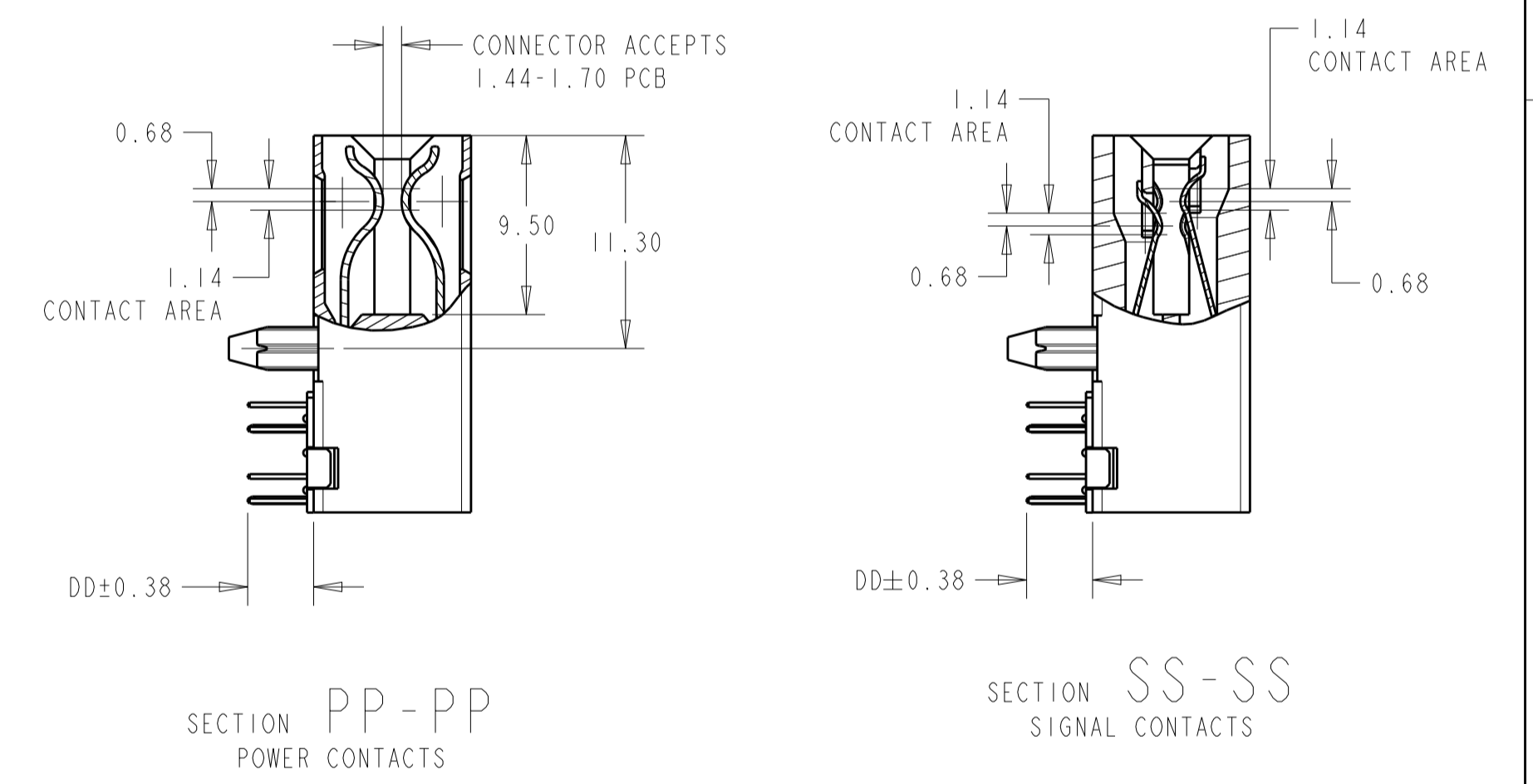
CAGE CODE: 00779

DRAWING NO: 2212115

LOC	DIST	REVISIONS					
AA	00	P	LTN	DESCRIPTION	DATE	DMN	APVD
		-		SEE SHEET 1	-	-	-

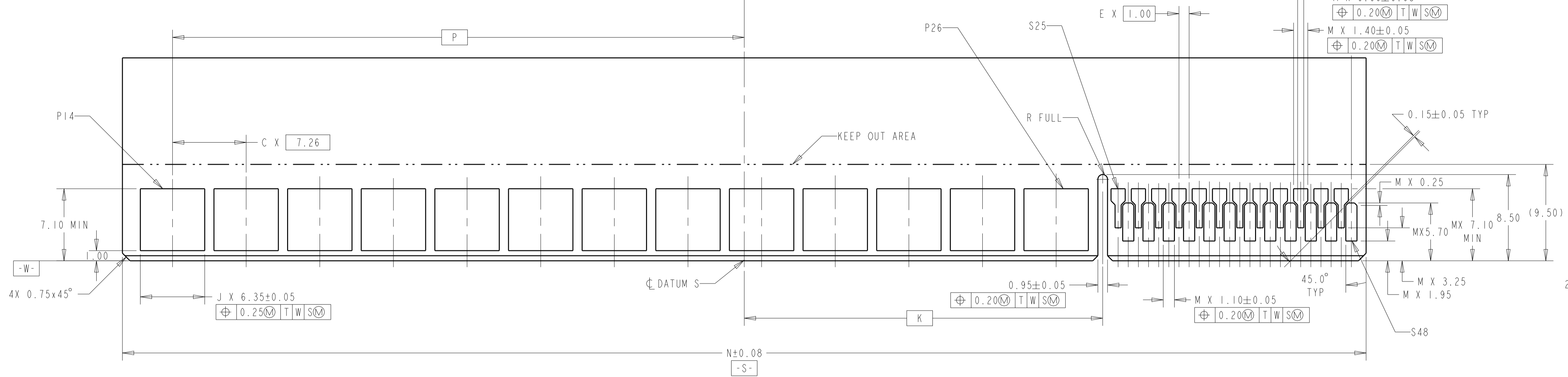


2212115-1  
SHOWN

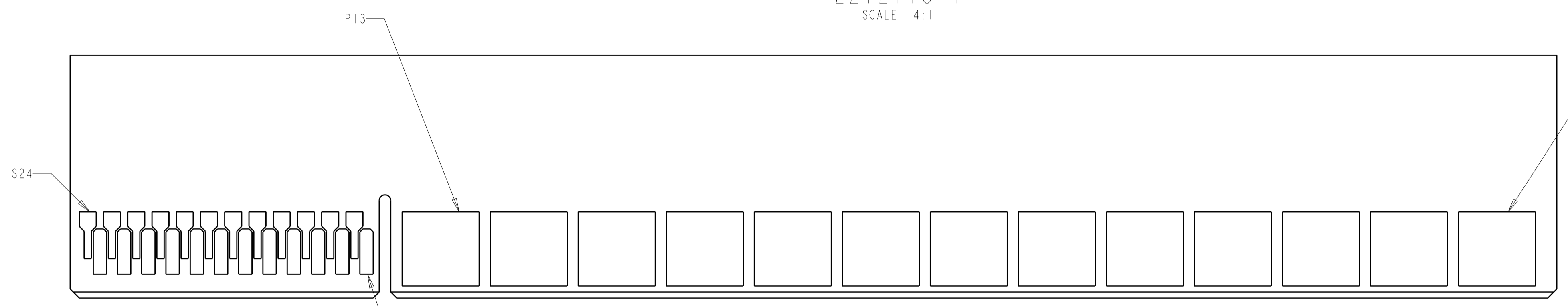


THIS DRAWING IS A CONTROLLED DOCUMENT.		DMN L.A.WENSEL 01MAR2013													
DIMENSIONS: mm		CHK D.SZCZESNY 01MAR2013													
TOLERANCES UNLESS OTHERWISE SPECIFIED:		APVD S.FLICKINGER 01MAR2013	NAME CONNECTOR ASSEMBLY, MULTI-BEAM CE, POWER/SIGNAL, RIGHT ANGLE, SOLDER MOUNT												
<table border="1"> <tr> <td>0 PLC</td> <td>±</td> </tr> <tr> <td>1 PLC</td> <td>±0.5</td> </tr> <tr> <td>2 PLC</td> <td>±0.25</td> </tr> <tr> <td>3 PLC</td> <td>±</td> </tr> <tr> <td>4 PLC</td> <td>±</td> </tr> <tr> <td>ANGLES</td> <td>±</td> </tr> </table>		0 PLC	±	1 PLC	±0.5	2 PLC	±0.25	3 PLC	±	4 PLC	±	ANGLES	±	PRODUCT SPEC	SIZE A1
0 PLC	±														
1 PLC	±0.5														
2 PLC	±0.25														
3 PLC	±														
4 PLC	±														
ANGLES	±														
MATERIAL SEE NOTE 1		APPLICATION SPEC	CAGE CODE 00779												
FINISH SEE NOTE 2		WEIGHT	DRAWING NO. 2212115												
CUSTOMER DRAWING		RESTRICTED TO	SCALE 3:1												
			SHEET 2 OF 3												
			REV A												

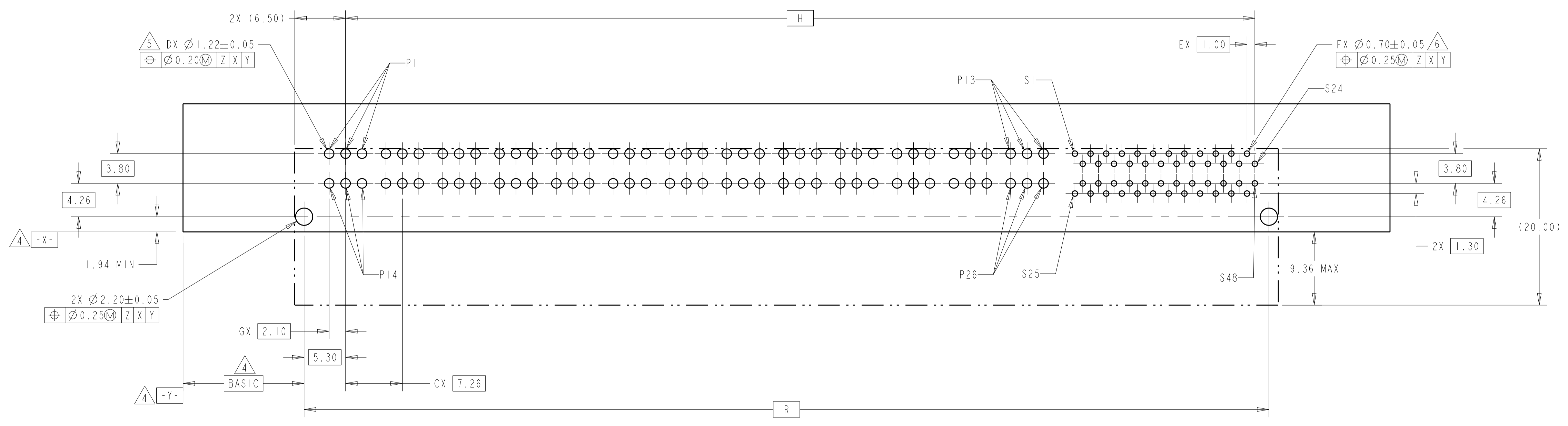
LOC		DIST		REVISIONS				
AA	00	REV	DATE	BY	CHK	APPV	DESCRIPTION	
		-	-	-	-	-	SEE SHEET 1	



RECOMMENDED MATING BOARD EDGE CONFIGURATION  
 (PRIMARY SIDE SHOWN)  
 DAUGHTER CARD  
 2212115-1  
 SCALE 4:1



RECOMMENDED MATING BOARD EDGE CONFIGURATION  
 (SECONDARY SIDE SHOWN)



RECOMMENDED PC BOARD HOLE LAYOUT  
 COMPONENT SIDE  
 2212115-1 LAYOUT  
 SCALE 3:1

THIS DRAWING IS A CONTROLLED DOCUMENT.		OWN L.A. WENSEL 01MAR2013		TE Connectivity	
DIMENSIONS: mm		CHK D. SZCZESNY 01MAR2013		NAME CONNECTOR ASSEMBLY, MULTI-BEAM CE, POWER/SIGNAL, RIGHT ANGLE, SOLDER MOUNT	
TOLERANCES UNLESS OTHERWISE SPECIFIED:		APVD S. ELICKINGER 01MAR2013	PRODUCT SPEC		
0 PLC ±		APPLICATION SPEC			
1 PLC ±0.5		SIZE CAGE CODE DRAWING NO RESTRICTED TO			
2 PLC ±0.25		A1 00779 C=2212115			
3 PLC ±		WEIGHT			
4 PLC ±		CUSTOMER DRAWING			
ANGLES ±4°		SCALE 1:1 SHEET 3 OF 3 REV A			
MATERIAL SEE NOTE 1		FINISH SEE NOTE 2			

## X-ON Electronics

Largest Supplier of Electrical and Electronic Components

*Click to view similar products for [Power to the Board](#) category:*

*Click to view products by [TE Connectivity](#) manufacturer:*

Other Similar products are found below :

[10131318-08512GRLF](#) [6450171-4](#) [6450552-7](#) [6600323-8](#) [6643429-1](#) [6646040-2](#) [6651939-1](#) [6766604-1](#) [120959-1](#) [1393557-2](#) [1393532-2](#)  
[1393532-3](#) [1393532-4](#) [1393557-1](#) [1600812-5](#) [1-6450861-2](#) [1645595-1](#) [1743490-1](#) [1744132-7](#) [1761122-1](#) [1766169-1](#) [1766250-1](#) [18362](#)  
[1892109-1](#) [1-967627-6](#) [2226808-1](#) [2-6450860-5](#) [2-6450860-6](#) [2-6450870-0](#) [93003-0502](#) [953552-1](#) [1-6450161-4](#) [1-6450850-6](#) [1645526-2](#) [1-](#)  
[6600130-0](#) [1743419-1](#) [1766150-1](#) [2005243-2](#) [211110-1](#) [2-6600130-2](#) [TE34-12-16P-F0](#) [51700-10201602AALF](#) [5-6450830-6](#) [5646956-4](#)  
[36662-0005](#) [40585-3000](#) [4-6450830-9](#) [4-6600333-3](#) [51142-0214](#) [10125416-4050LF](#)