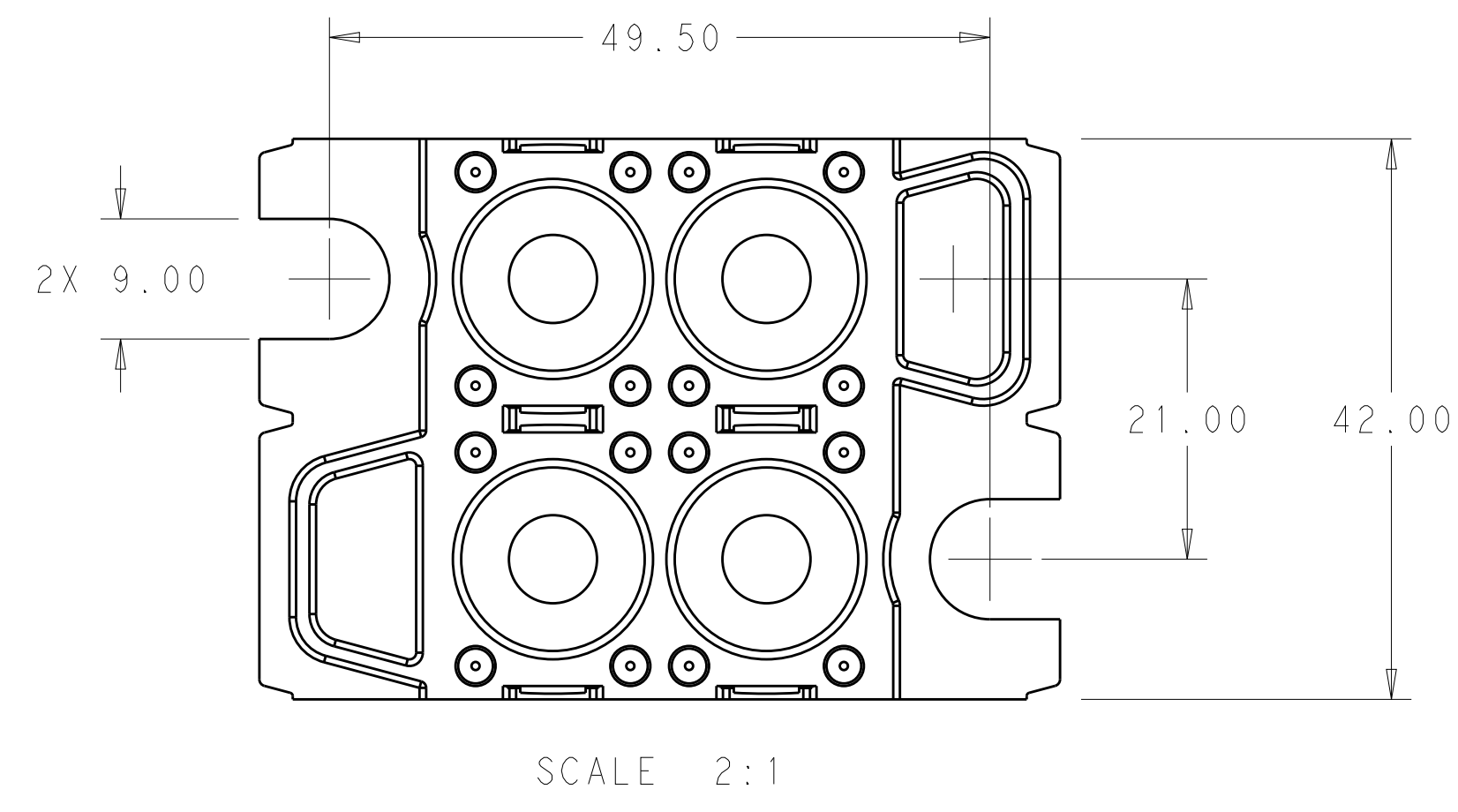
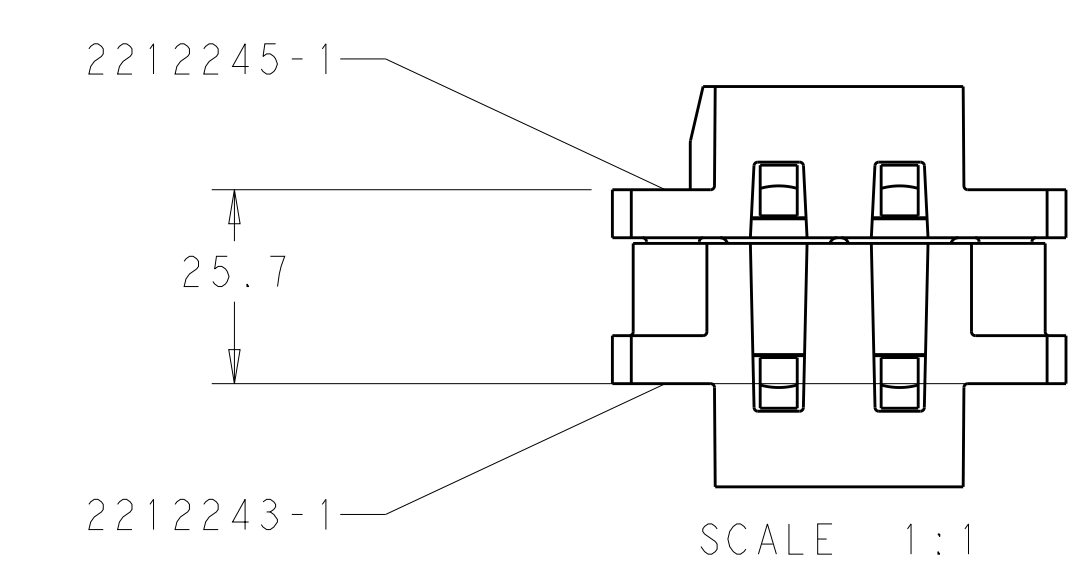
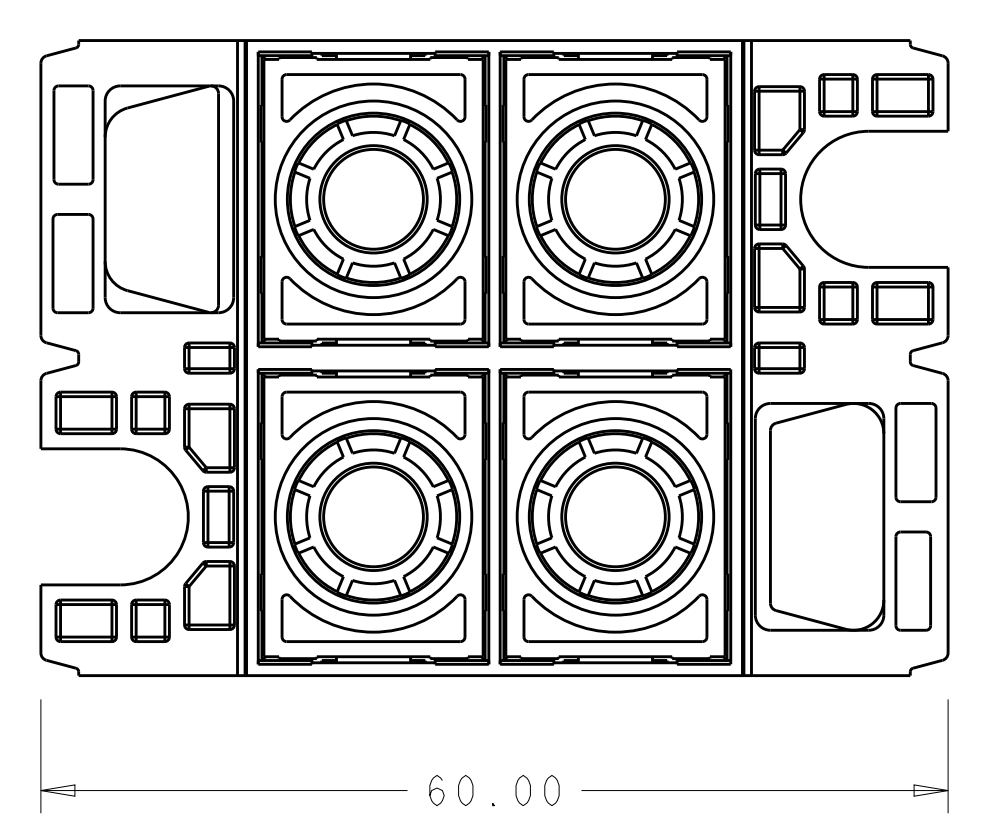
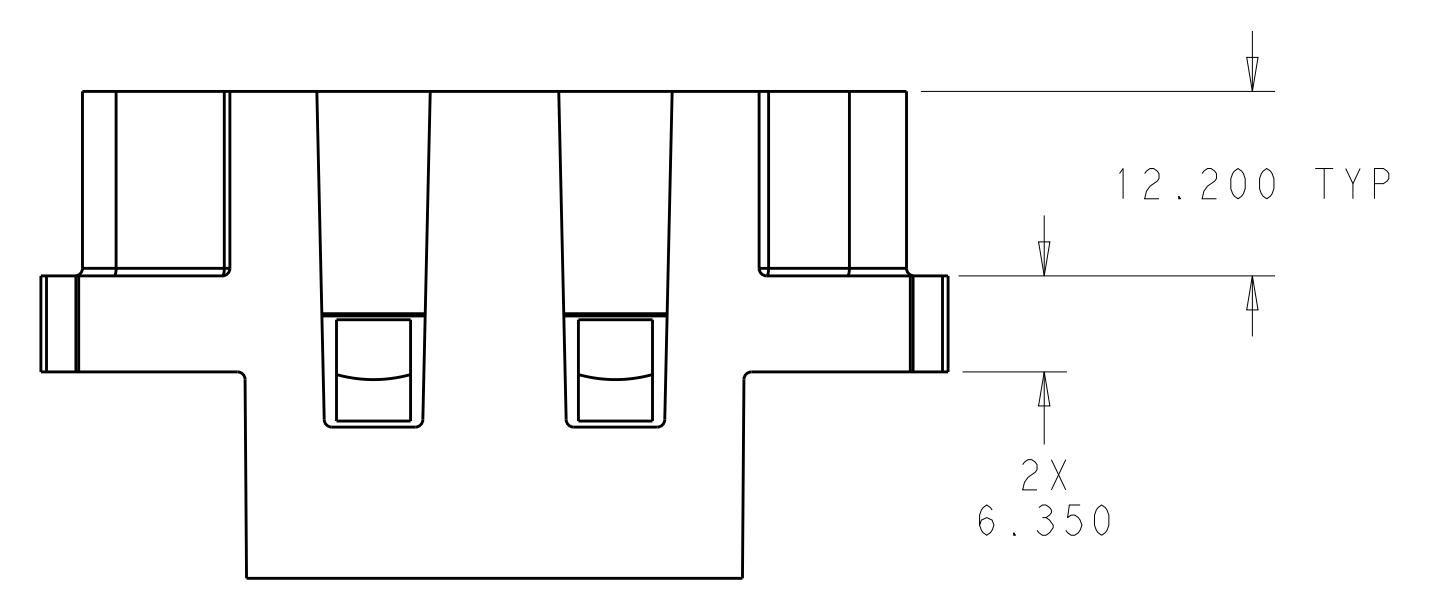
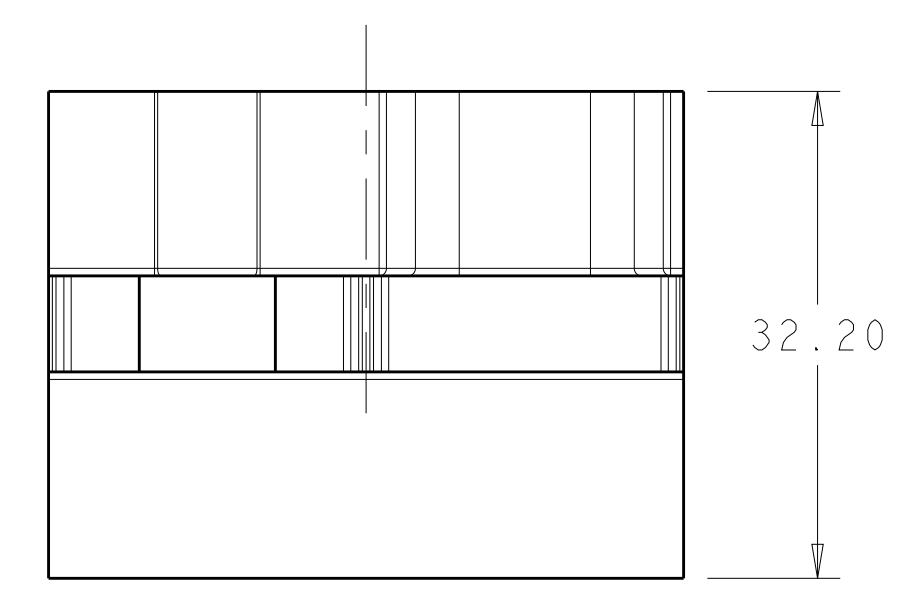
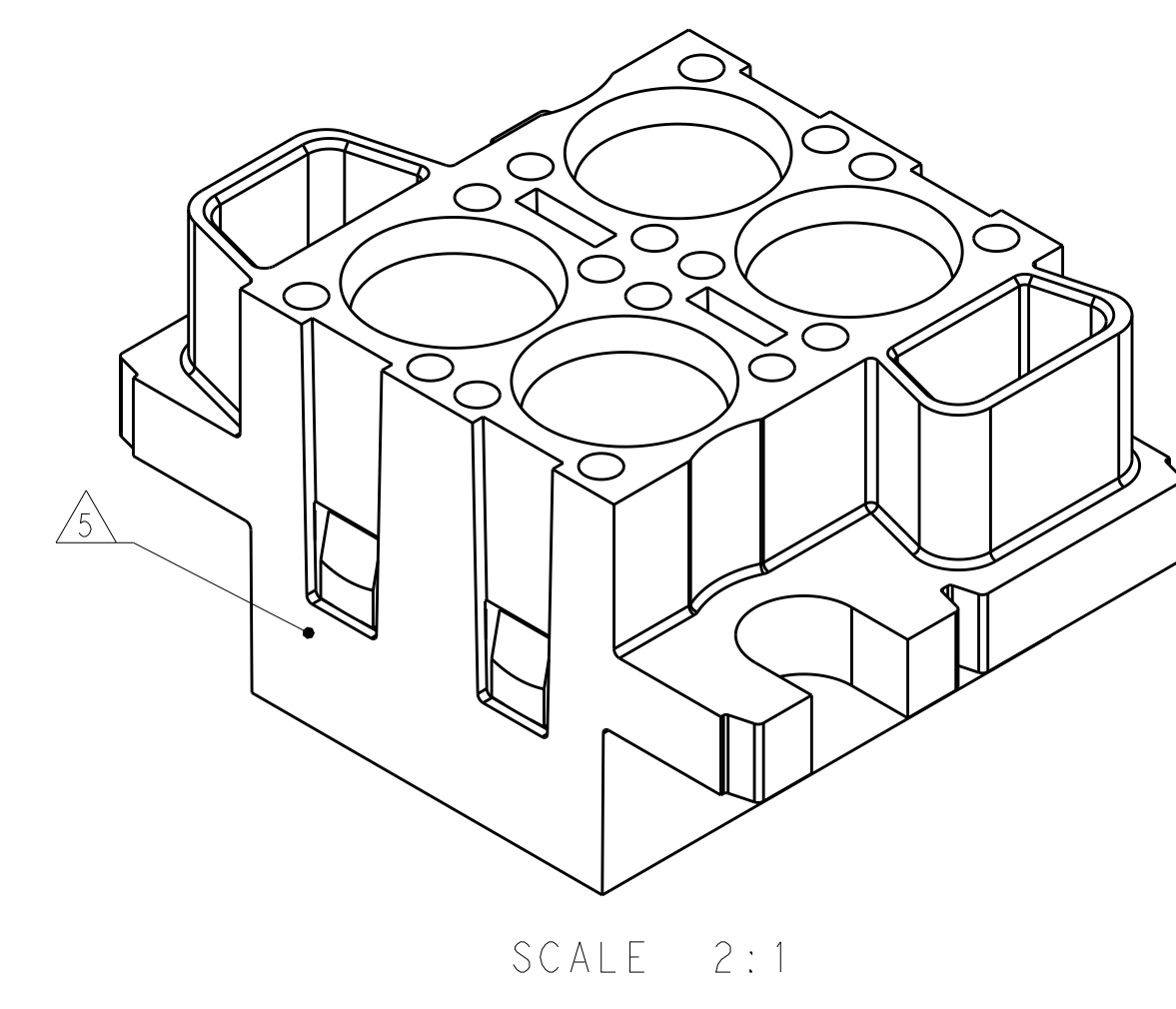


LOC		DIST		REVISIONS			
				REV	DATE	BY	APPV



- 1 HOUSING: THERMOPLASTIC, COLOR BLACK, FLAMMABILITY RATING UL 94 V-0.
- 2 THIS ASSEMBLY TO MATE WITH TEC PART NUMBER 2212245-1.
- 3. RECOMMENDED SHOULDER SCREW:
 2212056, FLOAT MOUNT
 2212055, FIXED MOUNT
- 4 RECOMMENDED PANEL CUTOUT FOR FRONT PANEL MOUNT APPLICATION.
 RECOMMENDED PANEL THICKNESS 1.5 TO 1.78.
- 5 DATE CODE AND PART NUMBER IN APPROXIMATE AREA SHOWN.



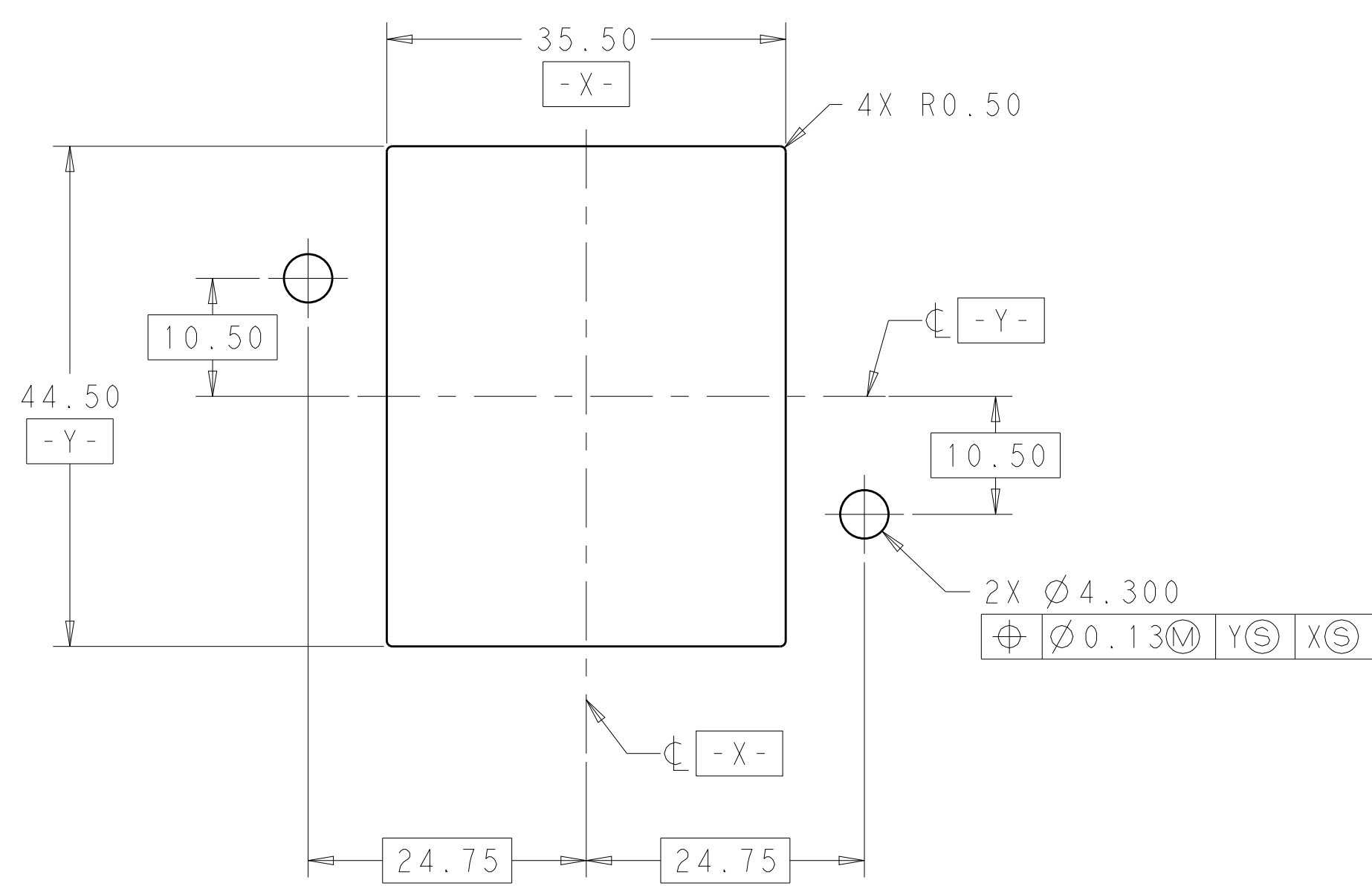
FULLY MATED ASSEMBLIES 2

CONNECTOR, PIN, FORGE 0x#0,4x#4,0x#8,0x#12,0x#22		2212243-1	
DESCRIPTION		PART NO.	
THIS DRAWING IS A CONTROLLED DOCUMENT.		DWN: R. IRENA 22JAN2015 CHK: E. WICKES 22JAN2015 APVD: S. STRICKLER 22JAN2015 NAME: S. STRICKLER	
DIMENSIONS: mm TOLERANCES UNLESS OTHERWISE SPECIFIED: 0 PLC ±N/A 1 PLC ±N/A 2 PLC ±0.25 3 PLC ±0.13 4 PLC ±N/A ANGLES ±N/A FINISH:		PRODUCT SPEC: 108-2323 APPLICATION SPEC: 114-13299 WEIGHT:	
MATERIAL: 2		SIZE: A1 CAGE CODE: 00779 DRAWING NO: 2212243 RESTRICTED TO:	
Customer Drawing		SCALE: 1:1 SHEET 1 OF 2 REV 1	

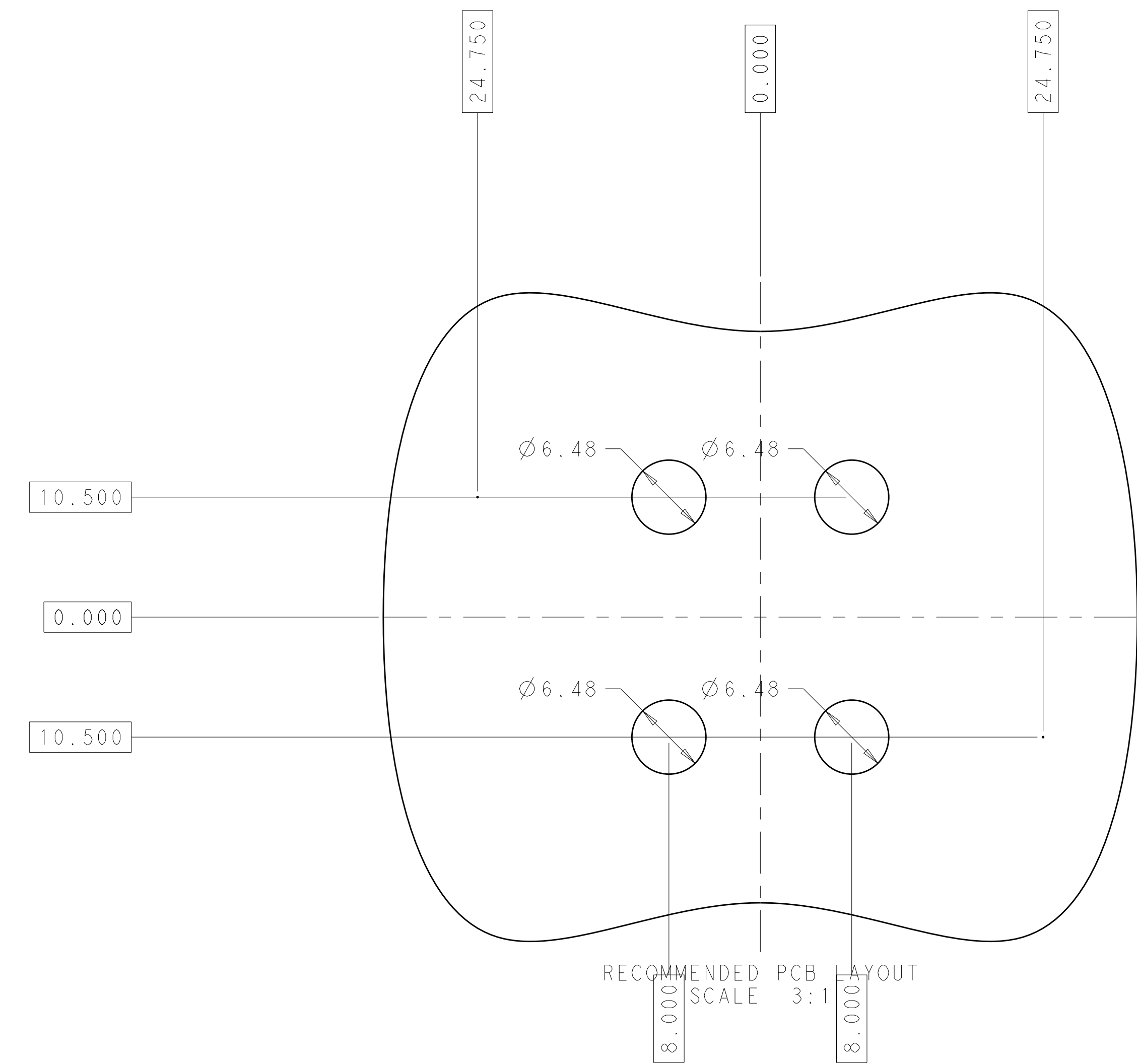
THIS PRINT IS
PRELIMINARY
 UNQUALIFIED PRODUCT
 CONTACT PRODUCT ENGINEERING
 BEFORE USING THIS PRINT

CONFIDENTIAL

LOC		DIST		REVISIONS			
P	LTN	DESCRIPTION	DATE	DMN	APVD		
-	-	SEE SHEET 1	-	-	-		



RECOMMENDED PANEL CUTOUT
 SCALE 2:1



RECOMMENDED PCB LAYOUT
 SCALE 3:1

THIS DRAWING IS A CONTROLLED DOCUMENT.		DMN	-	STE TE Connectivity	
		CHK	-		
DIMENSIONS:		TOLERANCES UNLESS OTHERWISE SPECIFIED:		NAME	
mm	0 PLC ±N/A	PRODUCT SPEC		CONNECTOR, PIN, FORGE	
	1 PLC ±N/A	108-2323		0x#0, 4x#4, 0x#8, 0x#12, 0x#22	
	2 PLC ±0.25	APPLICATION SPEC		CONFIGURATION	
	3 PLC ±0.13	114-13299		SIZE CAGE CODE DRAWING NO RESTRICTED TO	
	4 PLC ±N/A	WEIGHT		A100779C=2212243	
	ANGLES ±N/A	Customer Drawing		SCALE 1:1 SHEET 2 OF 2 REV 1	
MATERIAL	FINISH				

X-ON Electronics

Largest Supplier of Electrical and Electronic Components

Click to view similar products for [Heavy Duty Power Connectors](#) category:

Click to view products by [TE Connectivity](#) manufacturer:

Other Similar products are found below :

[647757-1](#) [6643411-1](#) [6646058-2](#) [6646137-1](#) [6646138-1](#) [6646479-1](#) [6646608-1](#) [6646786-1](#) [6646940-1](#) [6651091-1](#) [6651525-1](#) [6651529-1](#)
[6651788-1](#) [696475-1](#) [702-32-01109](#) [703-25-02205](#) [73000005059](#) [73000005642](#) [73080255059](#) [73080965046](#) [765-15-0080A](#) [765-16-0080B](#)
[765-18-0080D](#) [829992-1](#) [902-77-02113](#) [PS00/A0620/6300](#) [PS25/A0420/63](#) [129-1J](#) [1409400](#) [AN0024023](#) [E6374G1](#) [e6389g2](#) [157-43GW8](#)
[MS3117-14AC](#) [1643543-1](#) [1650540-1](#) [1651811-2](#) [1766260-1](#) [1766282-1](#) [1766966-1](#) [1791340000](#) [NLDFT-3-BL-L-S120-M40A](#) [NLDFT-N-](#)
[W-L-C240-M40B](#) [NLS-2-R-C240-M40B](#) [NLS-N-W-C240-M40B](#) [NPS-3-BL-T6](#) [1986615-1](#) [2-1589900-8](#) [2199314-1](#) [KA8102](#)