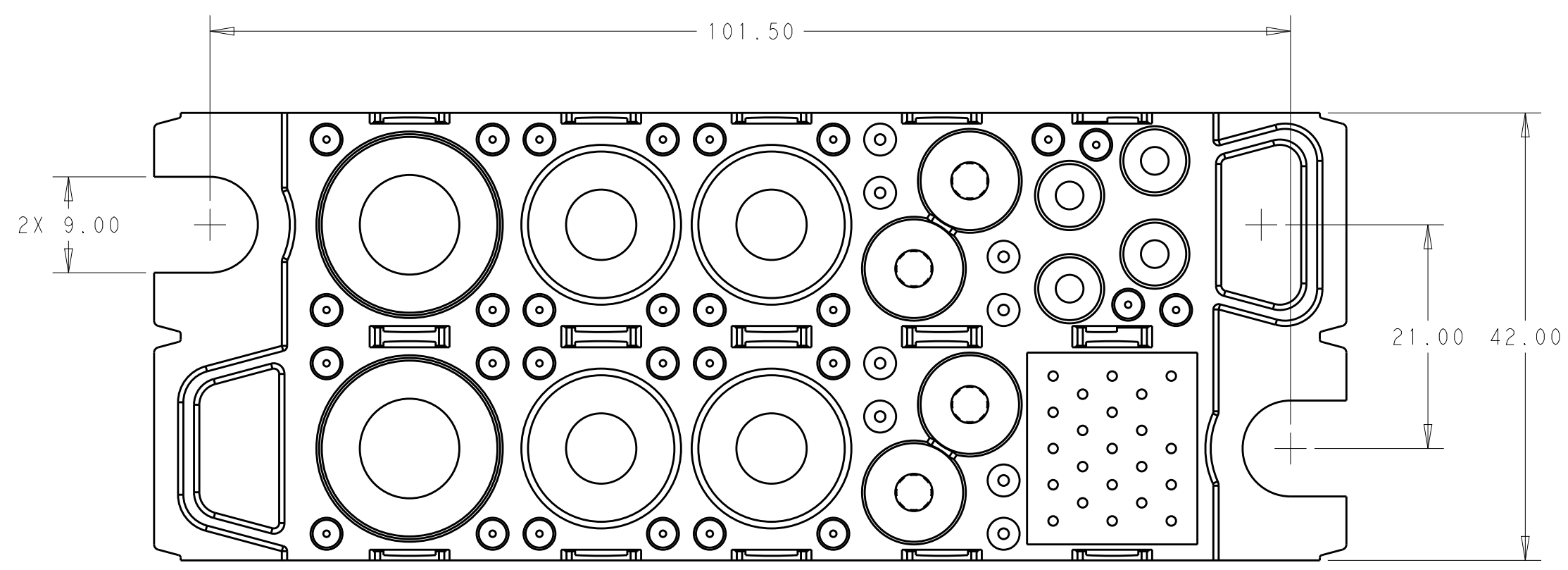
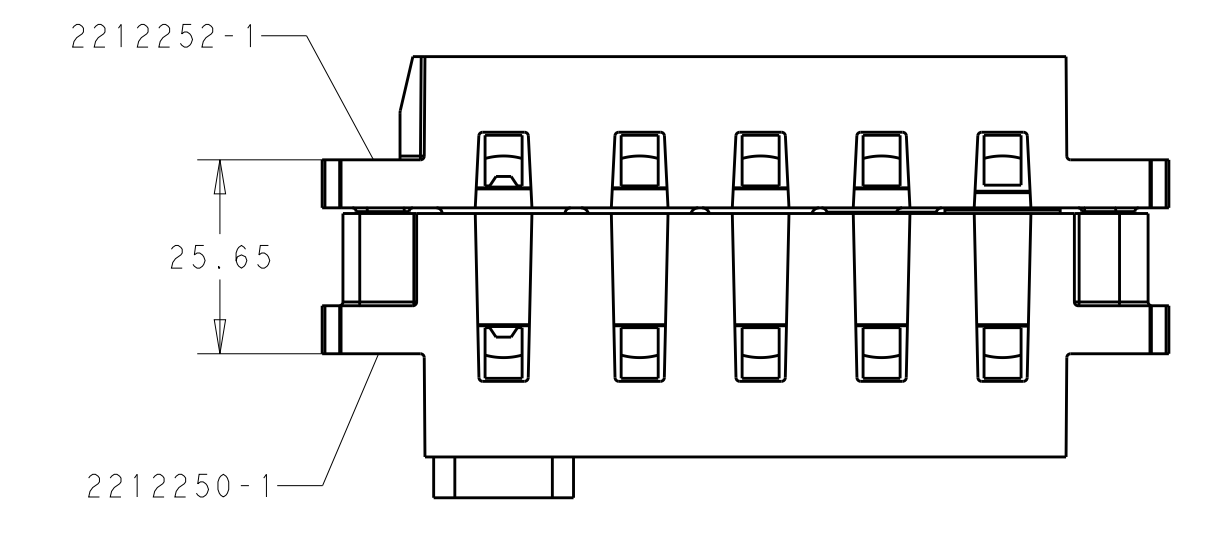
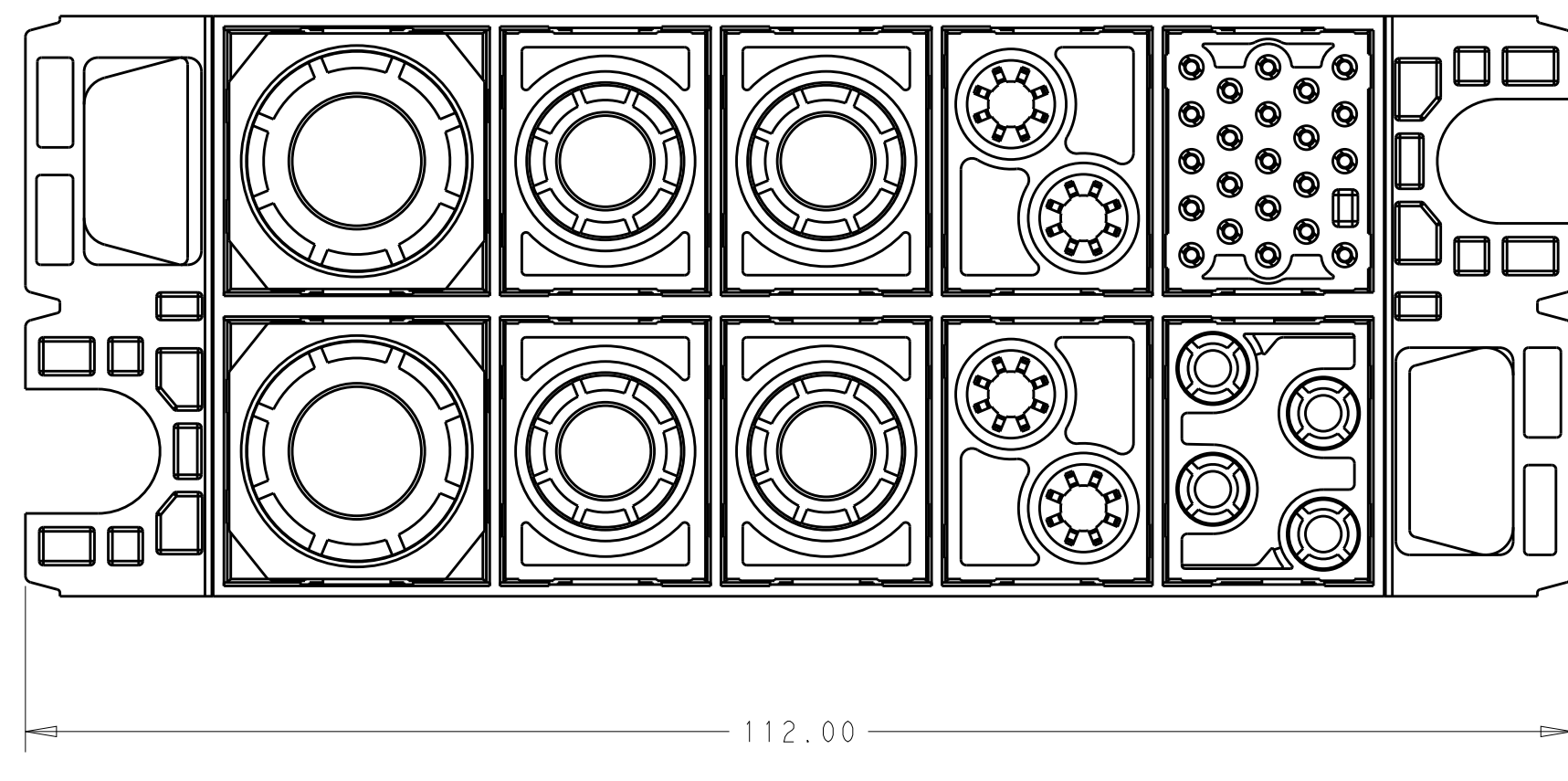
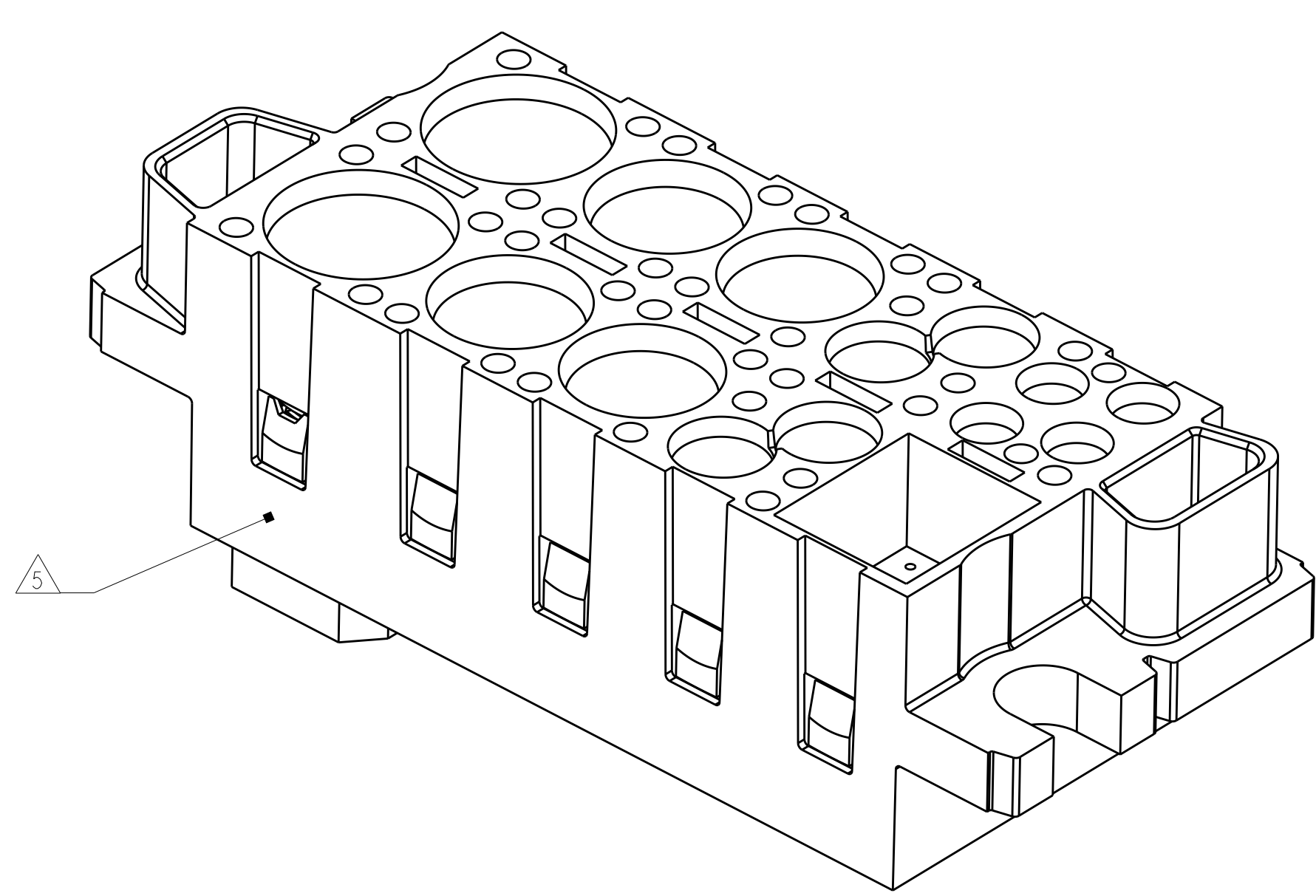
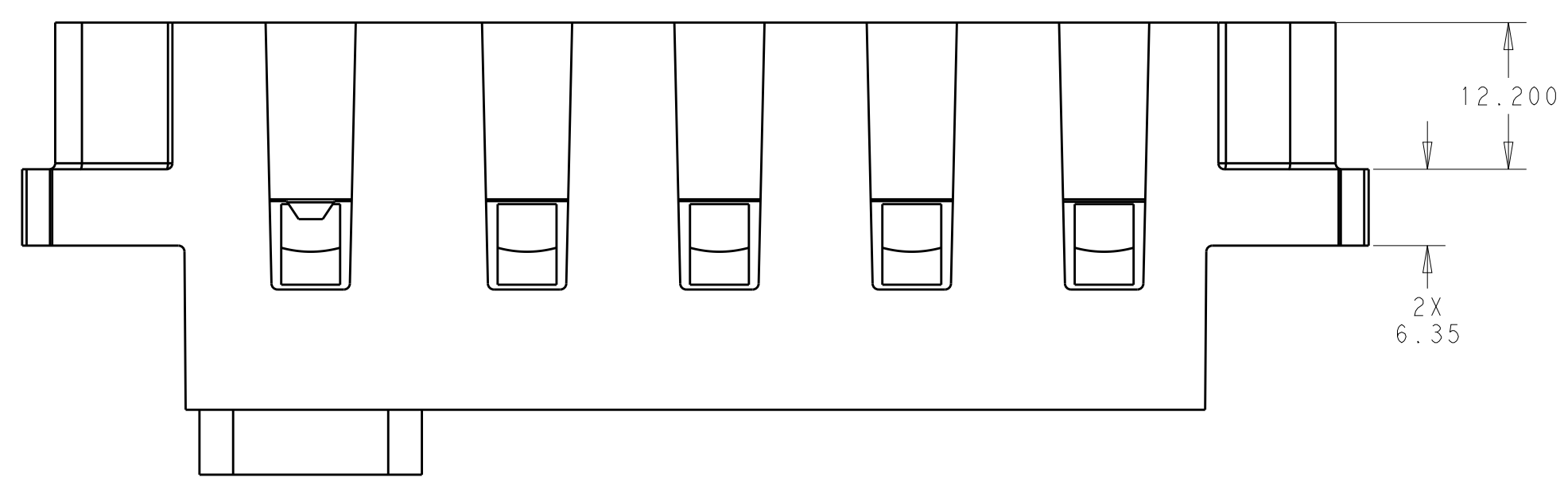
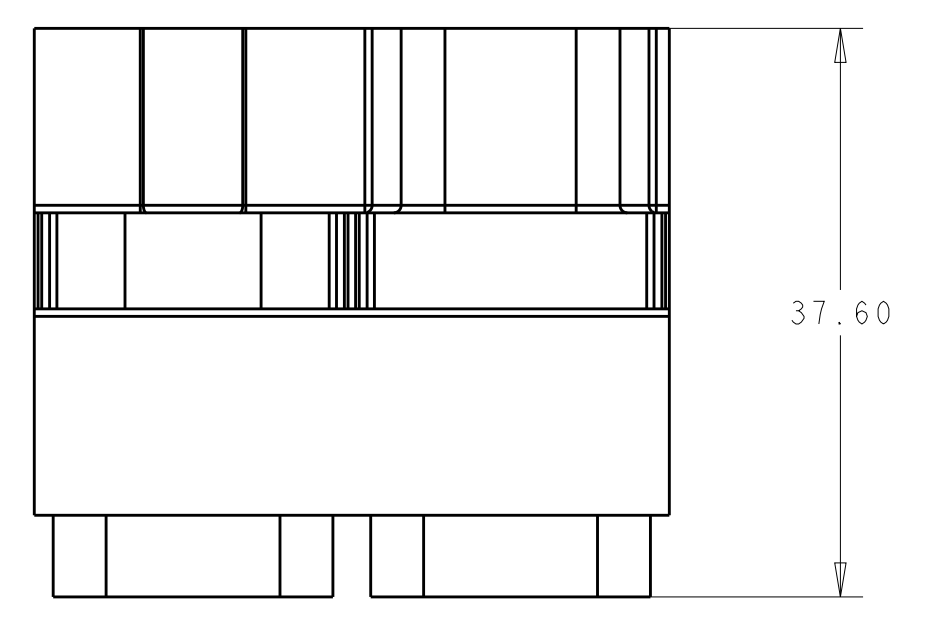


REVISIONS				
P.	LTN	DESCRIPTION	DATE	APVD



- 1 HOUSING: THERMOPLASTIC, COLOR BLACK, FLAMMABILITY RATING UL 94 V-0.
- 2 THIS ASSEMBLY TO MATE WITH TEC PART NUMBER 2212252-1.
- 3. RECOMMENDED SHOULDER SCREW:
2212056, FLOAT MOUNT
2212055, FIXED MOUNT
- 4 RECOMMENDED PANEL CUTOUT FOR FRONT PANEL MOUNT APPLICATION.
RECOMMENDED PANEL THICKNESS 1.5 TO 1.78.
- 5 DATE CODE AND PART NUMBER IN APPROXIMATE AREA SHOWN.



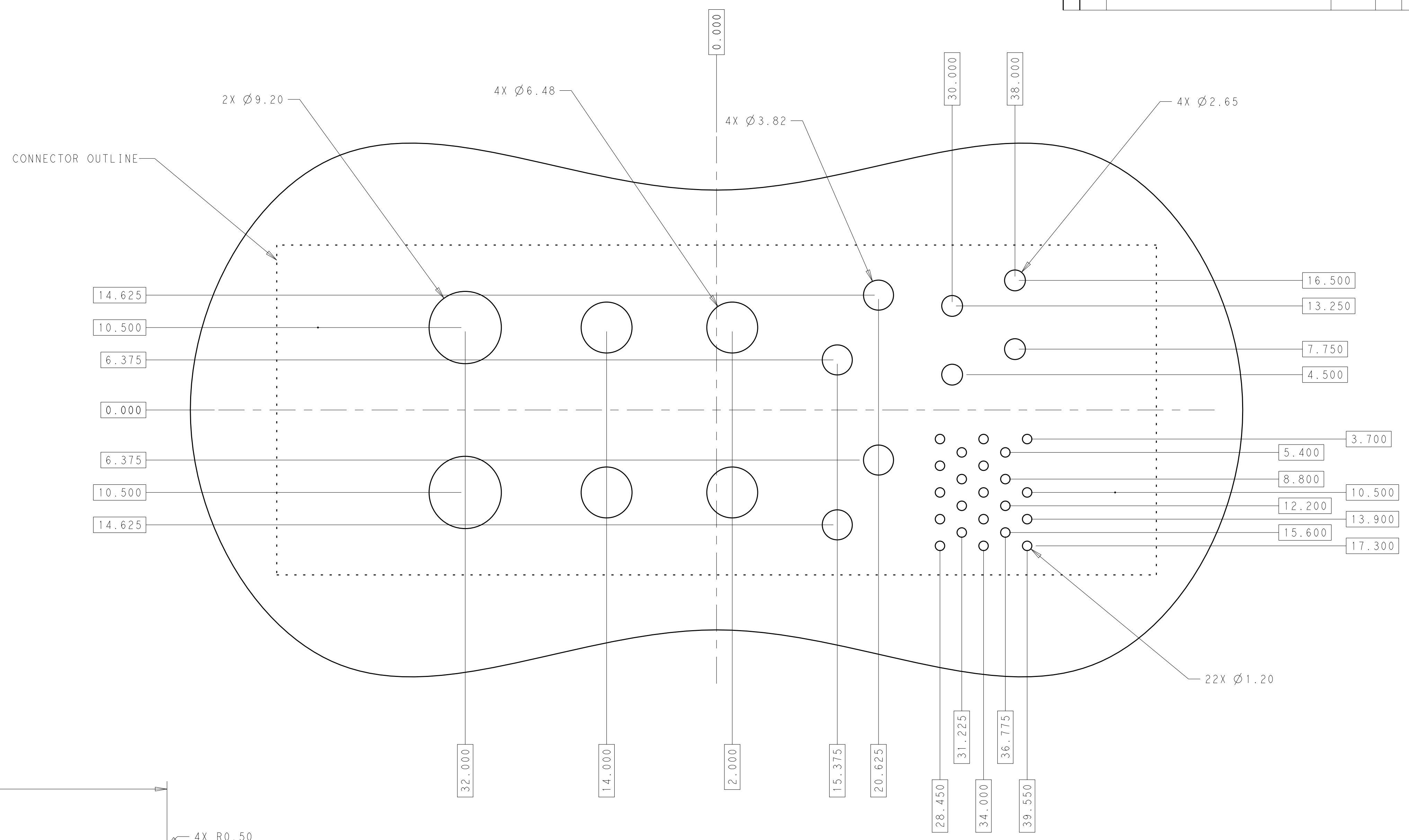
SCALE 1:1
 FULLY MTD ASSEMBLIES

CONNECTOR, PIN, FORGE 2x#0, 4x#4, 2x#8, 1x#12, 1x#22,	2212250-1
DESCRIPTION	PART NO.

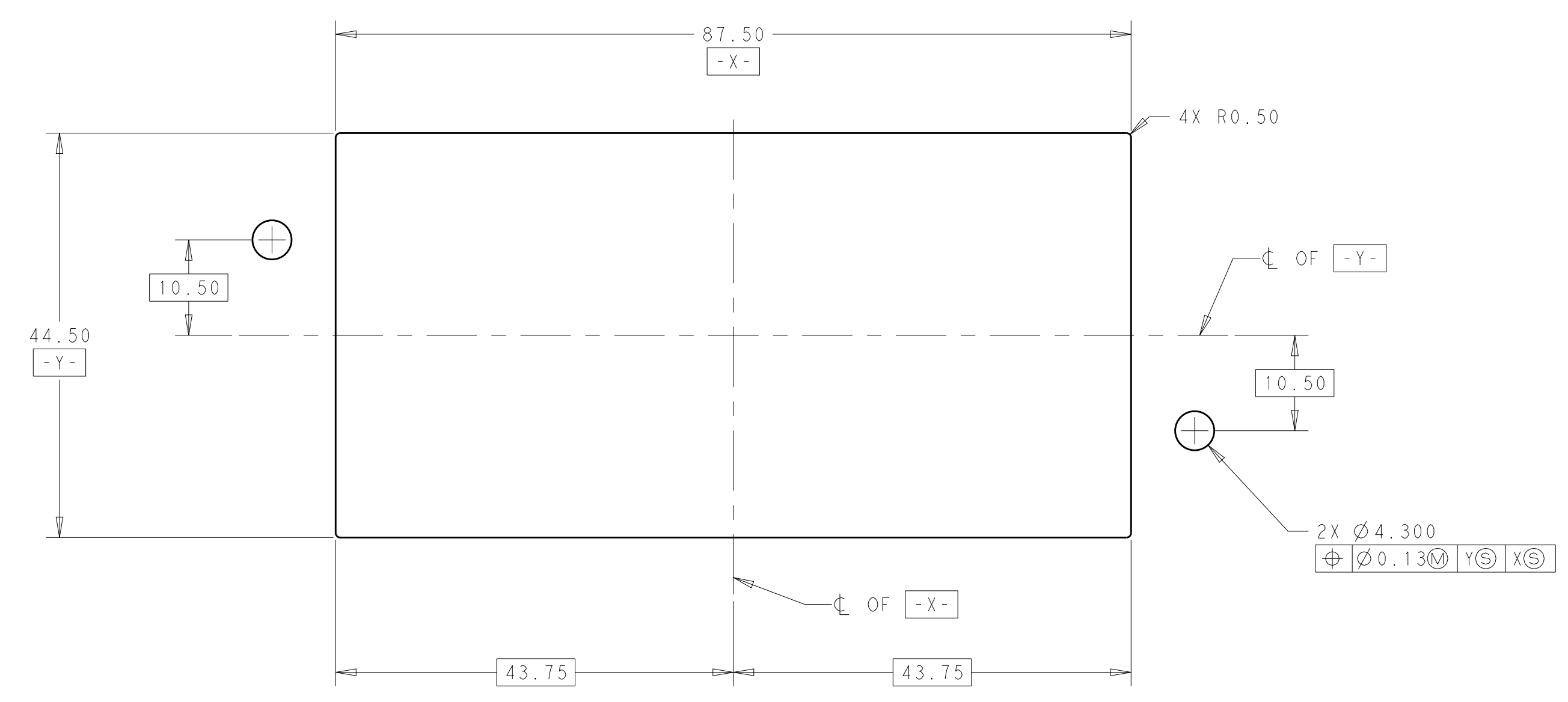
DESIGN APPROVED THIS PRINT IS
PRELIMINARY
 TO FIRST PIECE APPROVAL
 CONTACT PRODUCT ENGINEERING
 BEFORE USING THIS PRINT

THIS DRAWING IS A CONTROLLED DOCUMENT.		OWN: R. TREA 23JAN2015	TE Connectivity
DIMENSIONS: mm		CHK: E. WICKES 23JAN2015	
TOLERANCES UNLESS OTHERWISE SPECIFIED:		APVD: D. ORRIS 23JAN2015	NAME: CONNECTOR, PIN, FORGE 2x#0, 4x#4, 2x#8, 1x#12, 1x#22 CONFIGURATION
0 PLC ±N/A 1 PLC ±N/A 2 PLC ±0.25 3 PLC ±0.13 4 PLC ±N/A ANGLES ±N/A		PRODUCT SPEC: 108-2323	
MATERIAL:		APPLICATION SPEC: 114-1399	RESTRICTED TO:
FINISH:		WEIGHT: -	SIZE: A1
		CUSTOMER DRAWING	SCALE: 2:1 SHEET 1 OF 2 REV 1

REVISIONS				
P.	LTN	DESCRIPTION	DATE	APVD
-	-	SEE SHEET 1	-	-



PCB LAYOUT
SCALE 3:1



RECOMMENDED PANEL CUTOUT
SCALE 2:1

THIS DRAWING IS A CONTROLLED DOCUMENT.		DWN R. IREA 23JAN2015	TE Connectivity
DIMENSIONS: mm		CHK E. WICKES 23JAN2015	
TOLERANCES UNLESS OTHERWISE SPECIFIED:		APVD D. ORRIS 23JAN2015	NAME CONNECTOR, PIN, FORGE
0 PLC ±N/A 1 PLC ±N/A 2 PLC ±0.25 3 PLC ±0.13 4 PLC ±N/A ANGLES ±N/A		PRODUCT SPEC 108-2323	2x#0, 4x#4, 2x#8, 1x#12, 1x#22 CONFIGURATION
MATERIAL		APPLICATION SPEC 114-1399	SIZE A1
FINISH		WEIGHT	CAGE CODE C=2212250
		CUSTOMER DRAWING	RESTRICTED TO
		SCALE 2:1	SHEET 2 OF 2
			REV 1

X-ON Electronics

Largest Supplier of Electrical and Electronic Components

Click to view similar products for [Heavy Duty Power Connectors](#) category:

Click to view products by [TE Connectivity](#) manufacturer:

Other Similar products are found below :

[1424439](#) [1424438](#) [09330062652](#) [2-8675P1](#) [580129-2](#) [605601-1](#) [6340G1](#) [6341G1](#) [6360G1](#) [6373G1](#) [6374g2](#) [6396G1](#) [647757-1](#) [66394-4](#)
[6643411-1](#) [6646058-2](#) [6646137-1](#) [6646138-1](#) [6646348-1](#) [6646479-1](#) [6646608-1](#) [6646786-1](#) [6646940-1](#) [6651091-1](#) [6651525-1](#) [6651529-1](#)
[6651778-1](#) [6651788-1](#) [696465-1](#) [696475-1](#) [73000005059](#) [73000005349](#) [73000005642](#) [73080255059](#) [73080965046](#) [765-15-0080A](#)
[765-16-0080B](#) [789.700-44](#) [789.700-54](#) [80-1010](#) [80-9](#) [827381-1](#) [829992-1](#) [902-77-02113](#) [PL00U-301-10D10](#) [PM103MOOLOO](#)
[PM16S1620S32-50](#) [PM212MOOLOO](#) [PM309FOOLOO](#) [PM324FOOLCH](#)