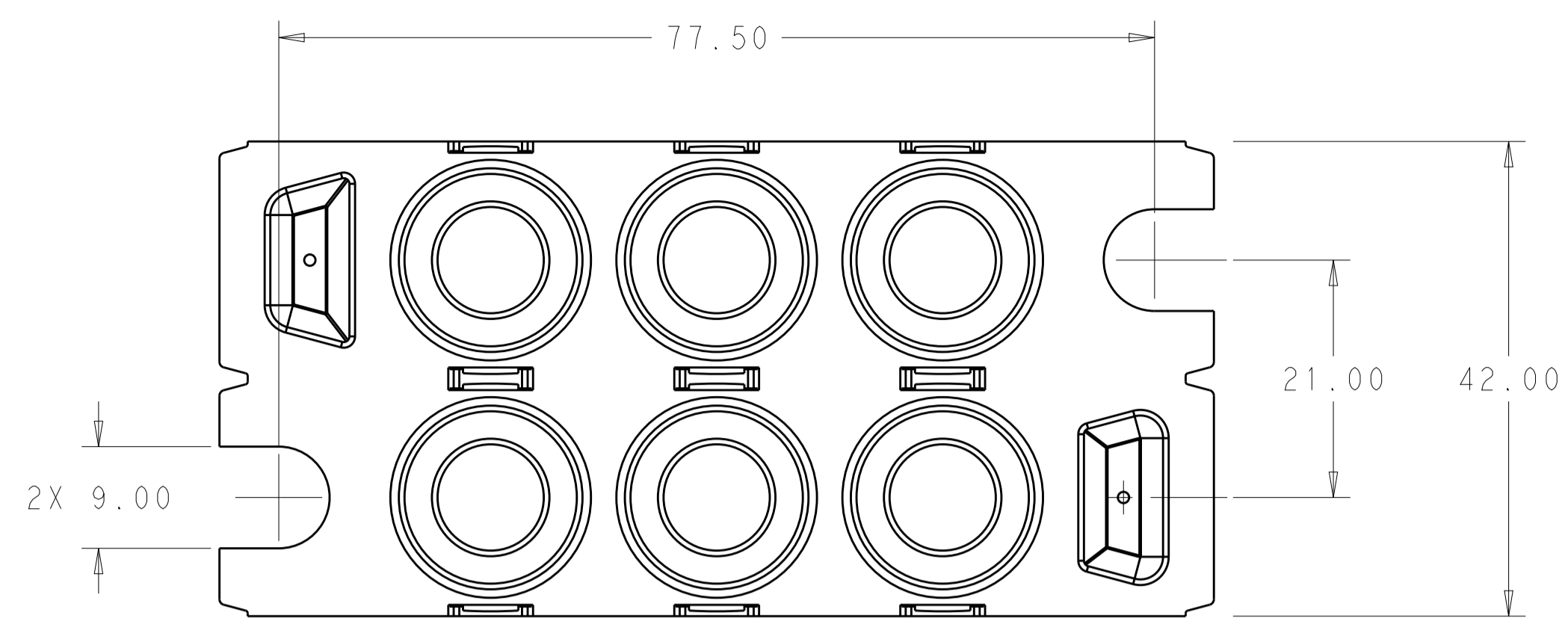
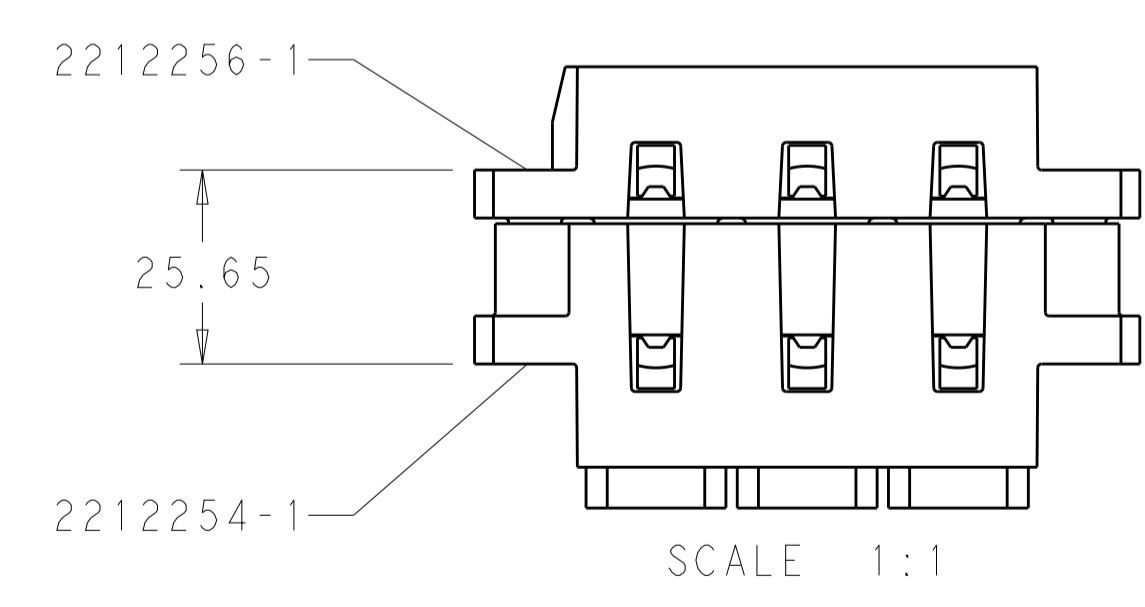
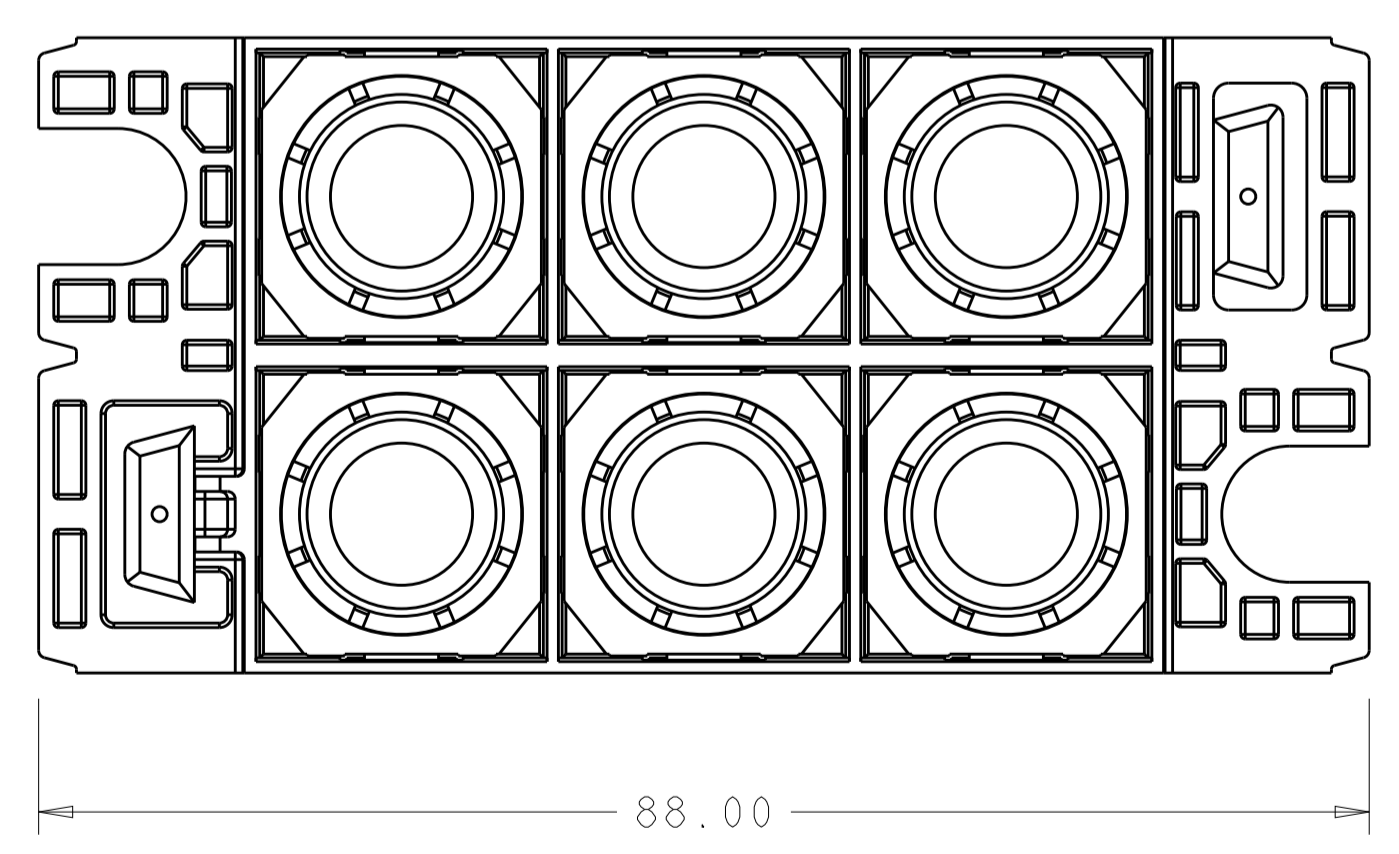
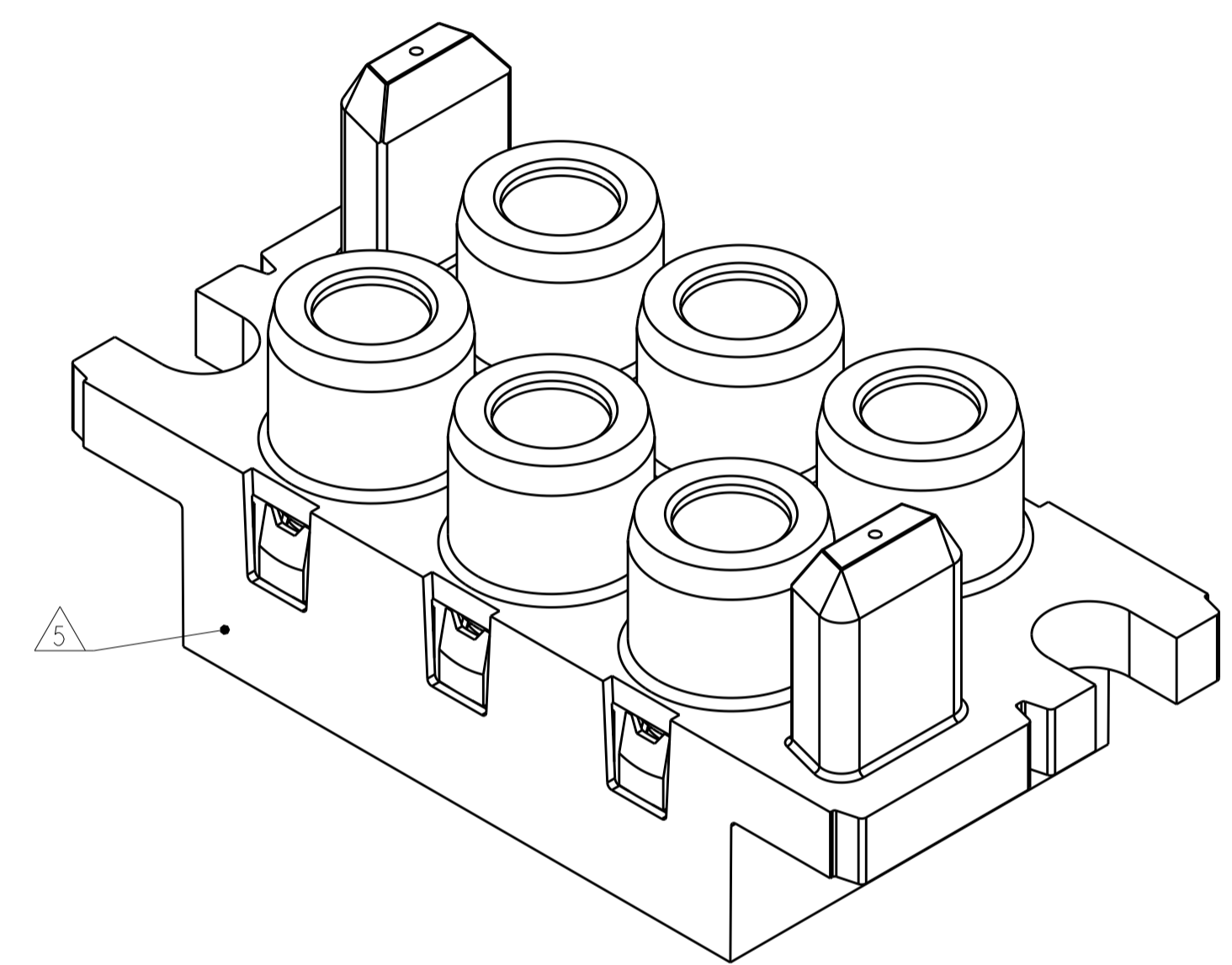
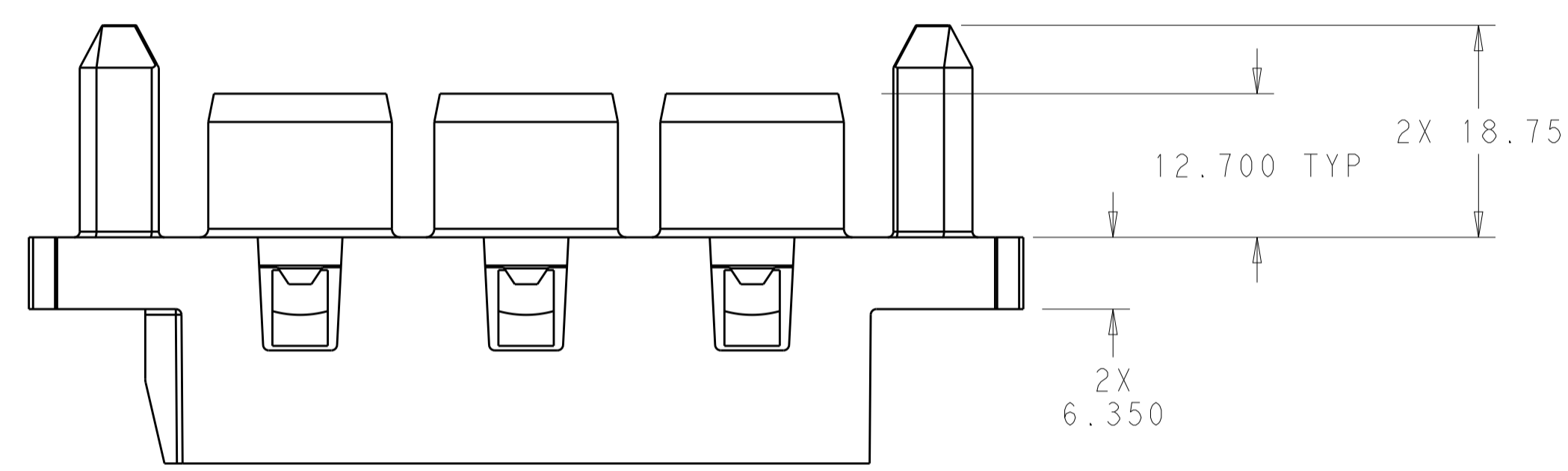
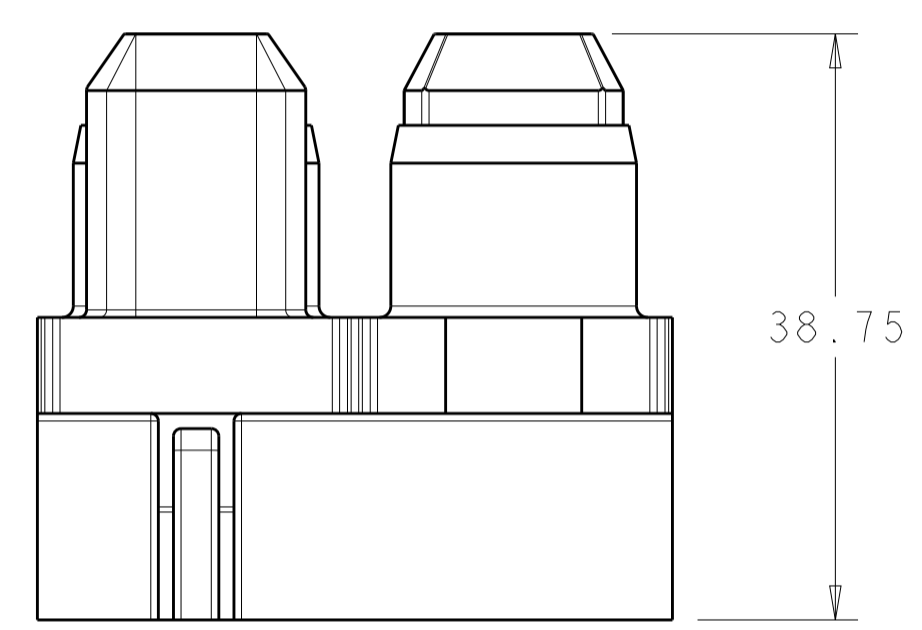


LOC		DIST		REVISIONS			
				REV	DATE	BY	APPV
-	-	2		STANDARDIZE DWG	10FEB2015	RT	EW



- △ HOUSING: THERMOPLASTIC, COLOR BLACK, FLAMMABILITY RATING UL 94 V-0.
- △ THIS ASSEMBLY TO MATE WITH TEC PART NUMBER 2212254-1.
- 3. RECOMMENDED SHOULDER SCREW:
2212056, FLOAT MOUNT
2212055, FIXED MOUNT
- △ RECOMMENDED PANEL CUTOUT FOR FRONT PANEL MOUNT APPLICATION.
RECOMMENDED PANEL THICKNESS 1.5 TO 1.78.
- △ DATE CODE AND PART NUMBER IN APPROXIMATE AREA SHOWN.



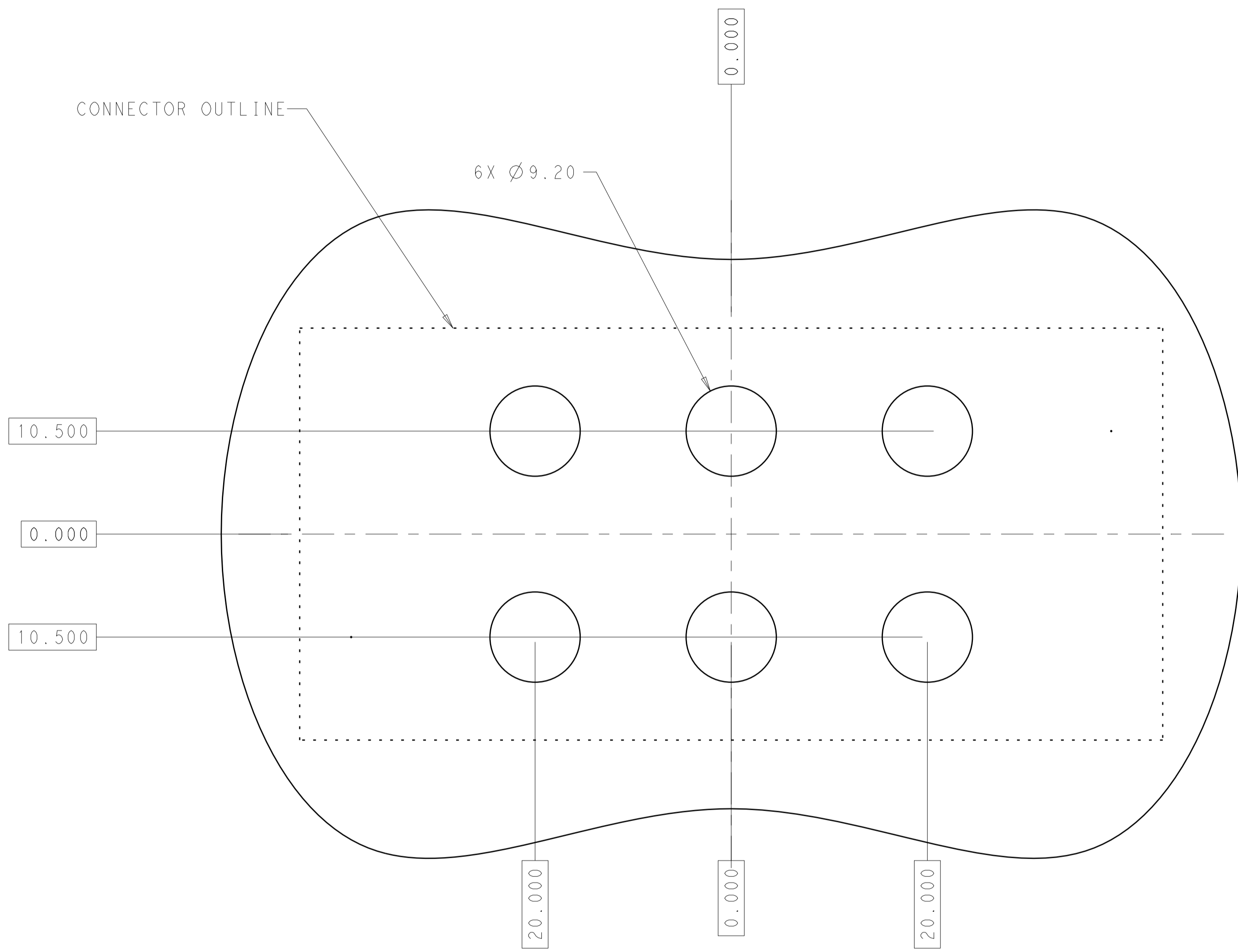
SCALE 1:1
FULLY MATED ASSEMBLIES △

CONNECTOR, SOCKET, FORGE 6x#0,0x#4,0x#8,0x#12,0x#22,	2212256-1
DESCRIPTION	PART NO.

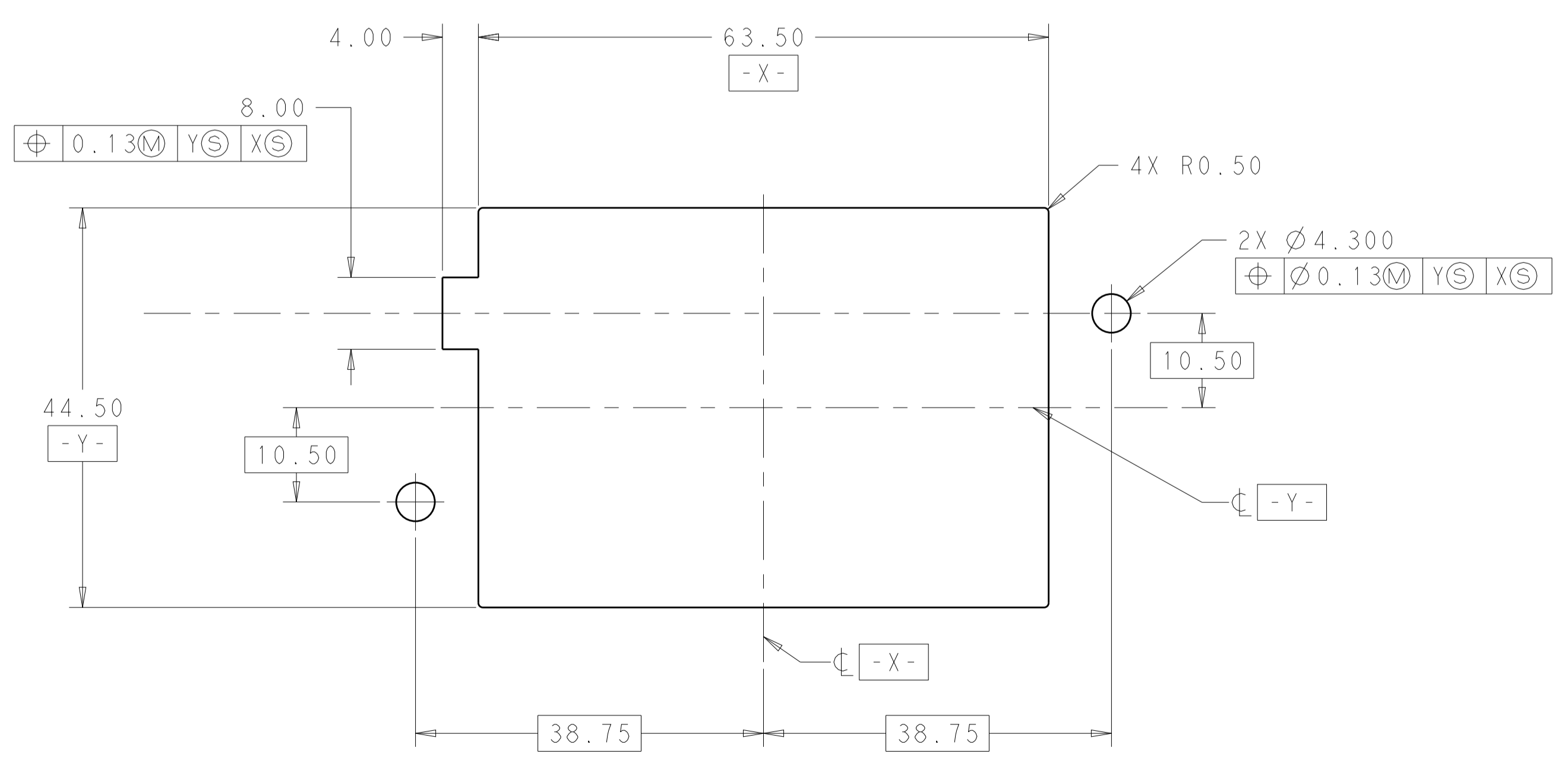
THIS PRINT IS
PRELIMINARY
UNQUALIFIED PRODUCT
CONTACT PRODUCT ENGINEERING
BEFORE USING THIS PRINT

THIS DRAWING IS A CONTROLLED DOCUMENT.		OWN: R. TREA 23DEC2014	TE Connectivity
DIMENSIONS: mm		CHK: E. WICKES 23DEC2014	
TOLERANCES UNLESS OTHERWISE SPECIFIED:		APV: S. STRICKLER 23DEC2014	NAME: CONNECTOR, SOCKET, FORGE 6x#0,0x#4,0x#8,0x#12,0x#22 CONFIGURATION
0 PLC ±N/A		PRODUCT SPEC: 108-2323	
1 PLC ±N/A		APPLICATION SPEC: 114-13299	SIZE: A1
2 PLC ±0.25		WEIGHT: -	CAGE CODE: 00779
3 PLC ±0.13		FINISH: -	DRAWING NO: 2212256
4 PLC ±N/A		MATERIAL: -	RESTRICTED TO: -
ANGLES ±N/A		Customer Drawing	SCALE: 2:1
FINISH: -			SHEET: 1 OF 2
			REV: 2

LOC		DIST		REVISIONS			
P	LTN	DESCRIPTION	DATE	DMN	APVD		
-	-	SEE SHEET 1	-	-	-		



PCB LAYOUT
SCALE 3:1



RECOMMENDED PANEL CUTOUT
SCALE 2:1

THIS DRAWING IS A CONTROLLED DOCUMENT.		DMN R. IREA	23DEC2014	STE TE Connectivity
DIMENSIONS: mm		CHK E. WICKES	23DEC2014	
TOLERANCES UNLESS OTHERWISE SPECIFIED:		APVD S. STRICKLER	23DEC2014	NAME CONNECTOR, SOCKET, FORGE 6x#0, 0x#4, 0x#8, 0x#12, 0x#22 CONFIGURATION
0 PLC ±N/A		PRODUCT SPEC	108-2323	
2 PLC ±0.25		APPLICATION SPEC	114-13299	
4 PLC ±0.13		WEIGHT	-	
ANGLES ±N/A		SIZE	A1	RESTRICTED TO
FINISH ±N/A		CAGE CODE	2212256	
MATERIAL		Customer Drawing		SCALE 2:1 SHEET 2 OF 2 REV 2

X-ON Electronics

Largest Supplier of Electrical and Electronic Components

Click to view similar products for [Heavy Duty Power Connectors](#) category:

Click to view products by [TE Connectivity](#) manufacturer:

Other Similar products are found below :

[647757-1](#) [6643411-1](#) [6646058-2](#) [6646137-1](#) [6646138-1](#) [6646479-1](#) [6646608-1](#) [6646786-1](#) [6646940-1](#) [6651091-1](#) [6651525-1](#) [6651529-1](#)
[6651788-1](#) [696475-1](#) [702-32-01109](#) [703-25-02205](#) [73000005059](#) [73000005642](#) [73080255059](#) [73080965046](#) [765-15-0080A](#) [765-16-0080B](#)
[765-18-0080D](#) [829992-1](#) [902-77-02113](#) [PS00/A0620/6300](#) [PS25/A0420/63](#) [129-1J](#) [1409400](#) [AN0024023](#) [E6374G1](#) [e6389g2](#) [157-43GW8](#)
[MS3117-14AC](#) [1643543-1](#) [1650540-1](#) [1651811-2](#) [1766260-1](#) [1766282-1](#) [1766966-1](#) [1791340000](#) [NLDFT-3-BL-L-S120-M40A](#) [NLDFT-N-](#)
[W-L-C240-M40B](#) [NLS-2-R-C240-M40B](#) [NLS-N-W-C240-M40B](#) [NPS-3-BL-T6](#) [1986615-1](#) [2-1589900-8](#) [2199314-1](#) [KA8102](#)