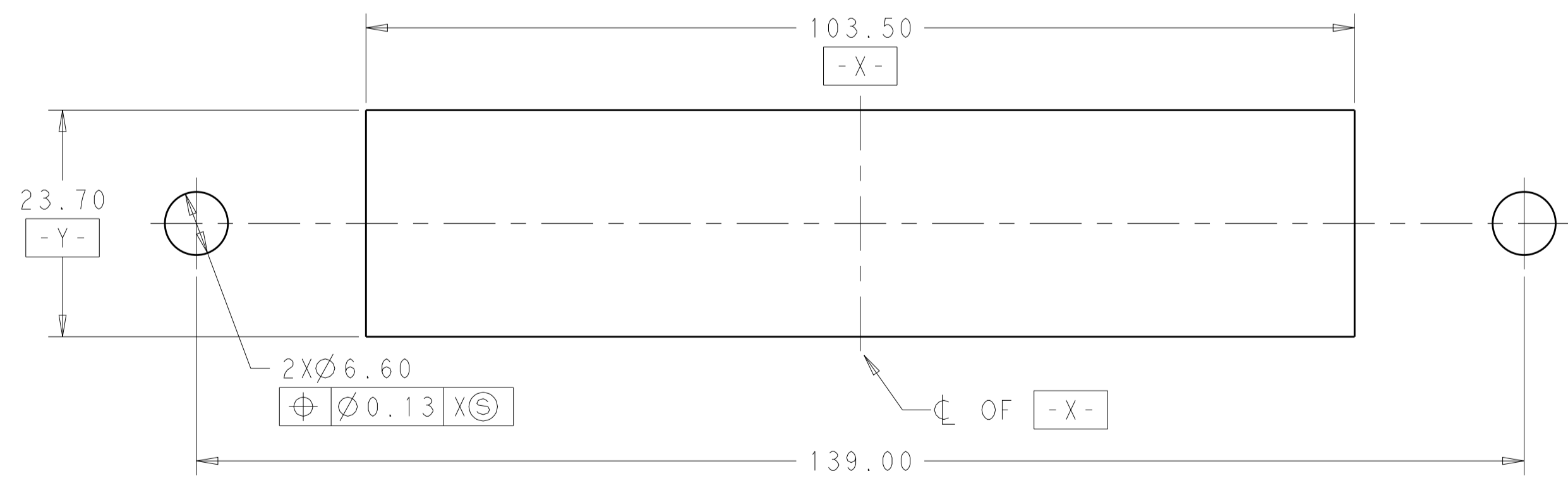
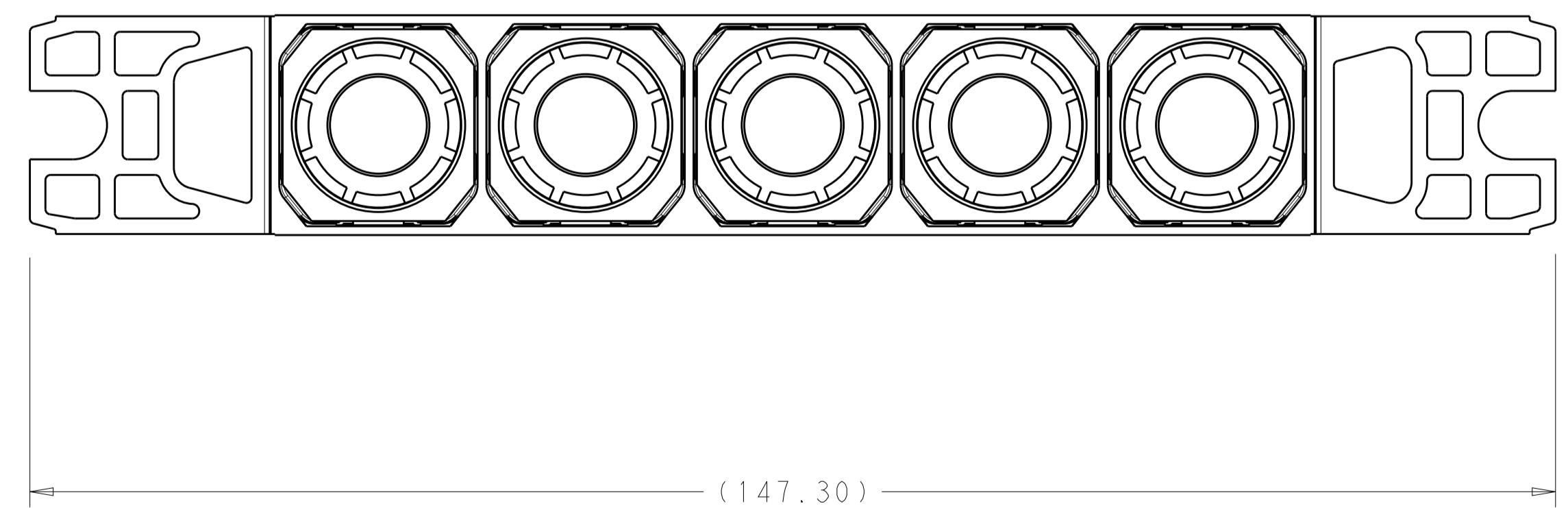
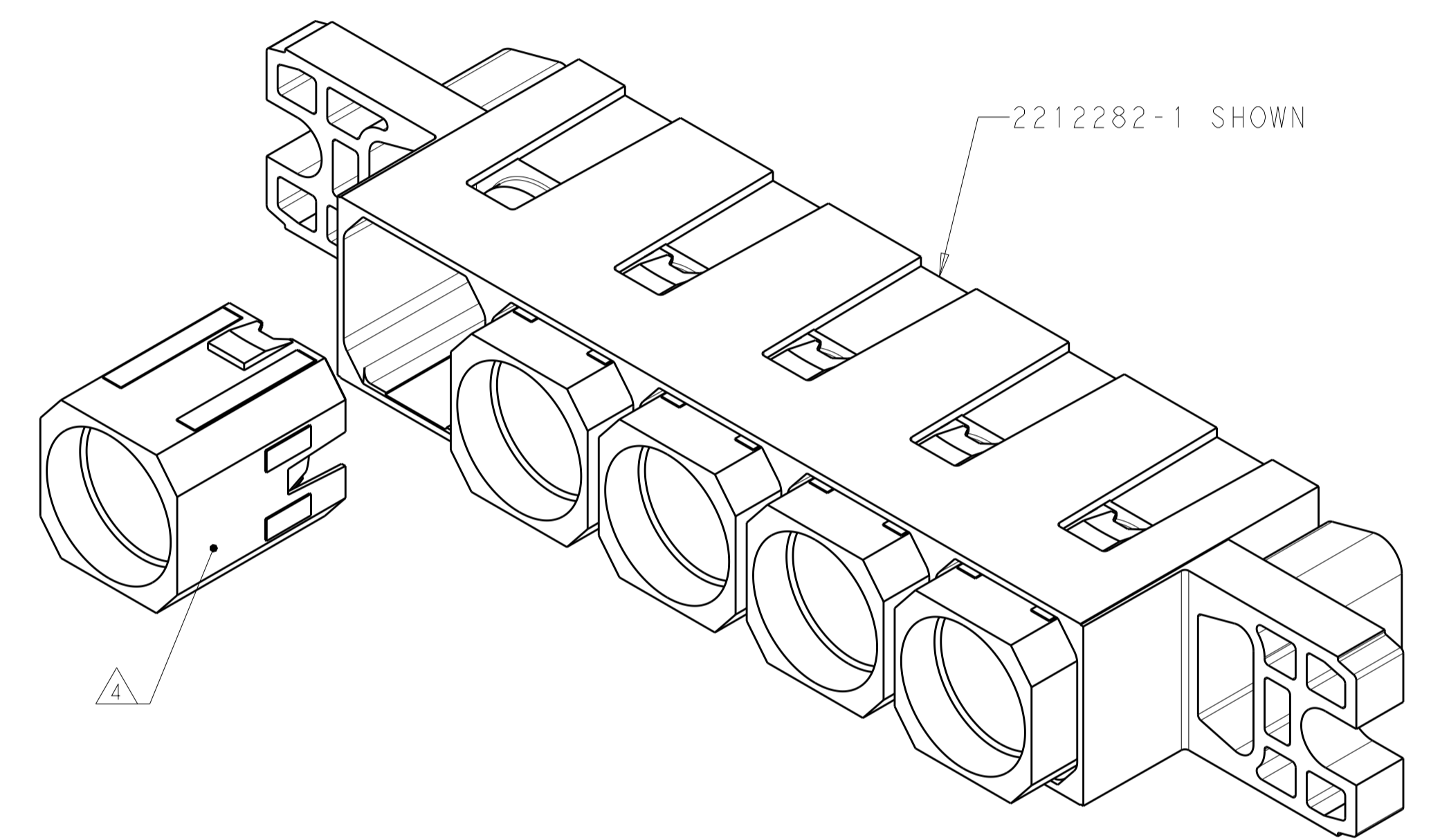
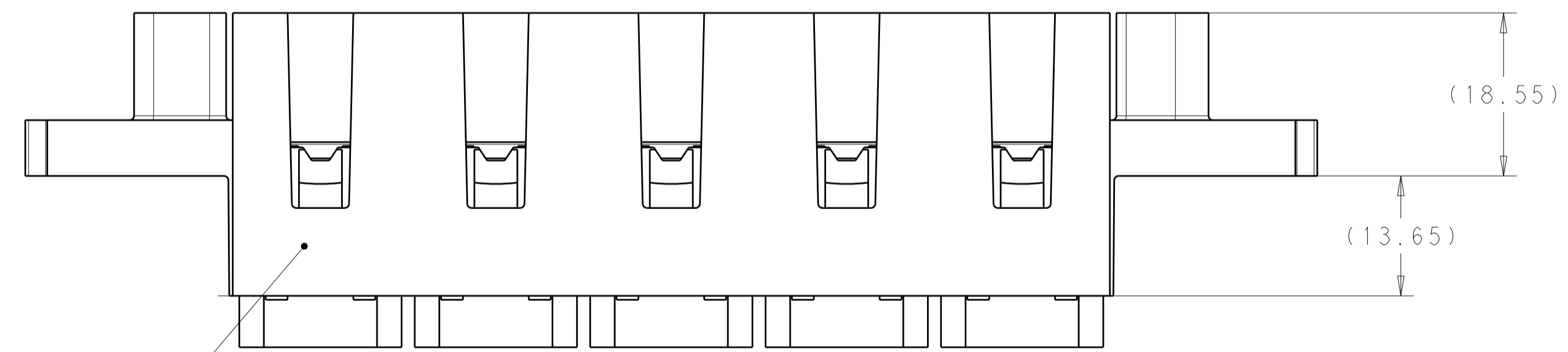
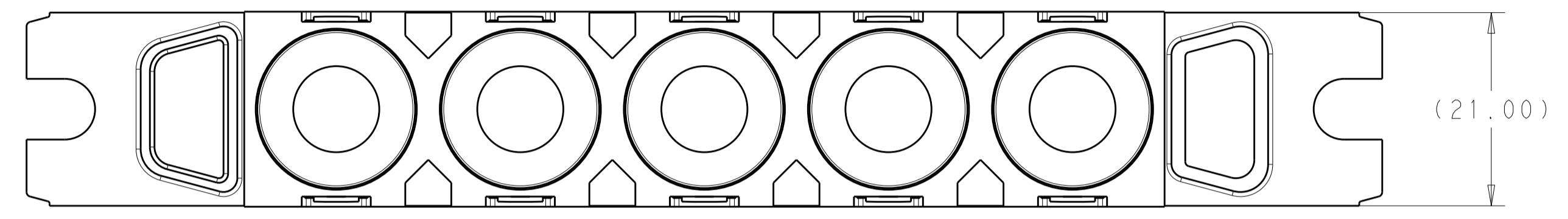


REVISIONS				
P.	LTN	DESCRIPTION	DATE	DWN APVD
4		ADD STRAIN RELIEF	05DEC2014	RT EW
5		MODIFY NAME IN TITLE BOX	24DEC2015	RS SZ
6		MODIFY NOTES	30DEC2015	RS SZ

1. MATERIAL: THERMOPLASTIC, COLOR BLACK, FLAMMABILITY RATING: UL 94 V-0.
2. THIS ASSEMBLY MATES WITH TEC PART NUMBER 2212284-1.
3. DATE CODE AND PART NUMBER IN APPROXIMATE AREA SHOWN.
4. SIZE #0 INSERTS (QUANTITY: 5) SHIPPED ASSEMBLED INTO FRONT HOUSING.
5. RECOMMENDED PANEL CUTOUT FOR FRONT PANEL MOUNT APPLICATION. RECOMMENDED PANEL THICKNESS 1.5 TO 1.78.



5. RECOMMENDED PANEL CUTOUT SCALE 2:1

2212282-1
PART NO.

THIS DRAWING IS A CONTROLLED DOCUMENT.		DWN R. IRENA 31 JUL 2014	TE Connectivity CONNECTOR, PIN, 1X5, 5#0, PANEL MOUNT, FORGE	
DIMENSIONS: mm		CHK E. WICKES 22 SEP 2014		
TOLERANCES UNLESS OTHERWISE SPECIFIED:		APVD	NAME	
0 PLC	±N/A	PRODUCT SPEC	-	
1 PLC	±N/A	APPLICATION SPEC	-	
2 PLC	±0.25	WEIGHT	-	
3 PLC	±N/A	CUSTOMER DRAWING	-	
4 PLC	±N/A	SCALE	2:1	
ANGLES	±N/A	SHEET	1 OF 1	
FINISH	±N/A	REV	6	

X-ON Electronics

Largest Supplier of Electrical and Electronic Components

Click to view similar products for [Heavy Duty Power Connectors](#) category:

Click to view products by [TE Connectivity](#) manufacturer:

Other Similar products are found below :

[647757-1](#) [6643411-1](#) [6646058-2](#) [6646137-1](#) [6646138-1](#) [6646479-1](#) [6646608-1](#) [6646786-1](#) [6646940-1](#) [6651091-1](#) [6651525-1](#) [6651529-1](#)
[6651788-1](#) [696475-1](#) [702-32-01109](#) [703-25-02205](#) [73000005059](#) [73000005642](#) [73080255059](#) [73080965046](#) [765-15-0080A](#) [765-16-0080B](#)
[765-18-0080D](#) [829992-1](#) [902-77-02113](#) [PS00/A0620/6300](#) [PS25/A0420/63](#) [129-1J](#) [1409400](#) [AN0024023](#) [E6374G1](#) [e6389g2](#) [157-43GW8](#)
[MS3117-14AC](#) [1643543-1](#) [1650540-1](#) [1651811-2](#) [1766260-1](#) [1766282-1](#) [1766966-1](#) [1791340000](#) [NLDFT-3-BL-L-S120-M40A](#) [NLDFT-N-](#)
[W-L-C240-M40B](#) [NLS-2-R-C240-M40B](#) [NLS-N-W-C240-M40B](#) [NPS-3-BL-T6](#) [1986615-1](#) [2-1589900-8](#) [2199314-1](#) [KA8102](#)