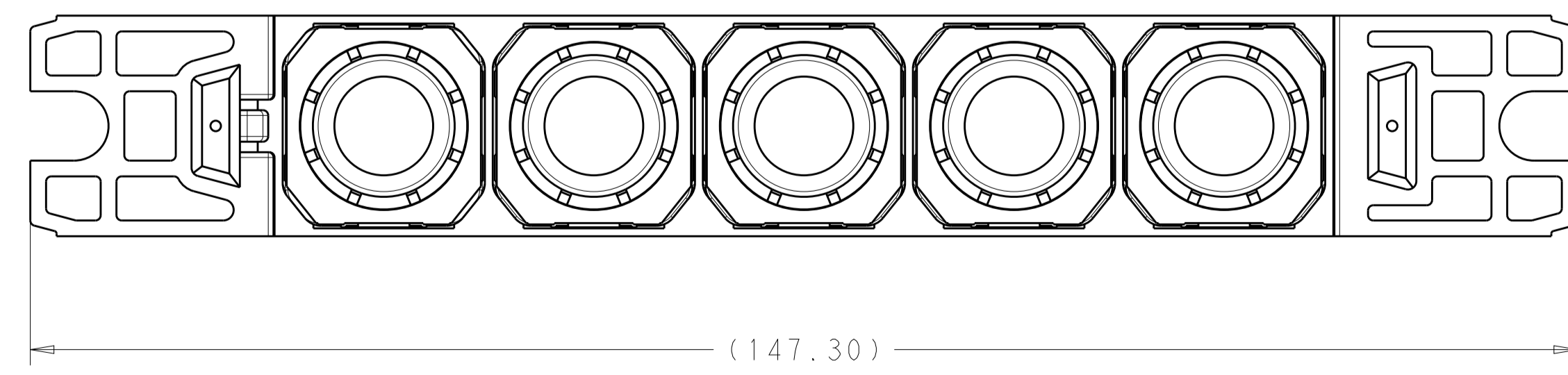
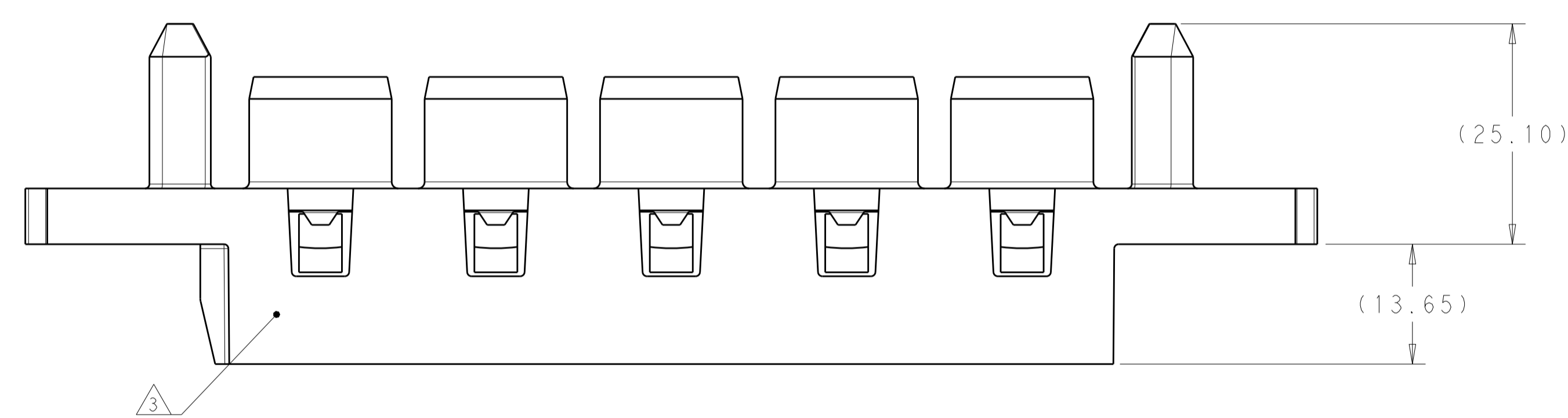
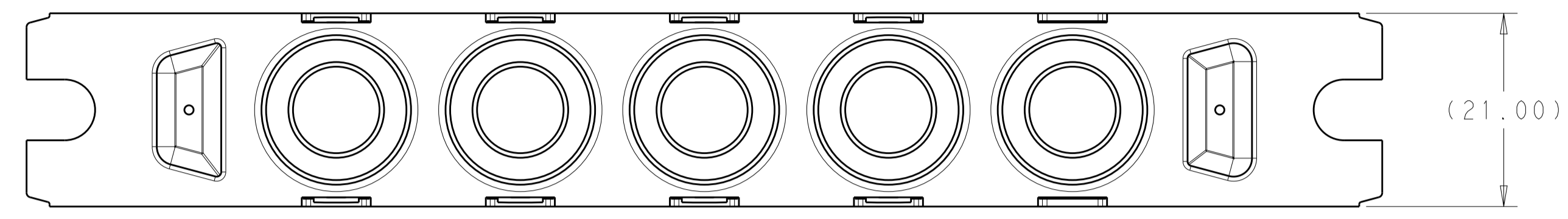
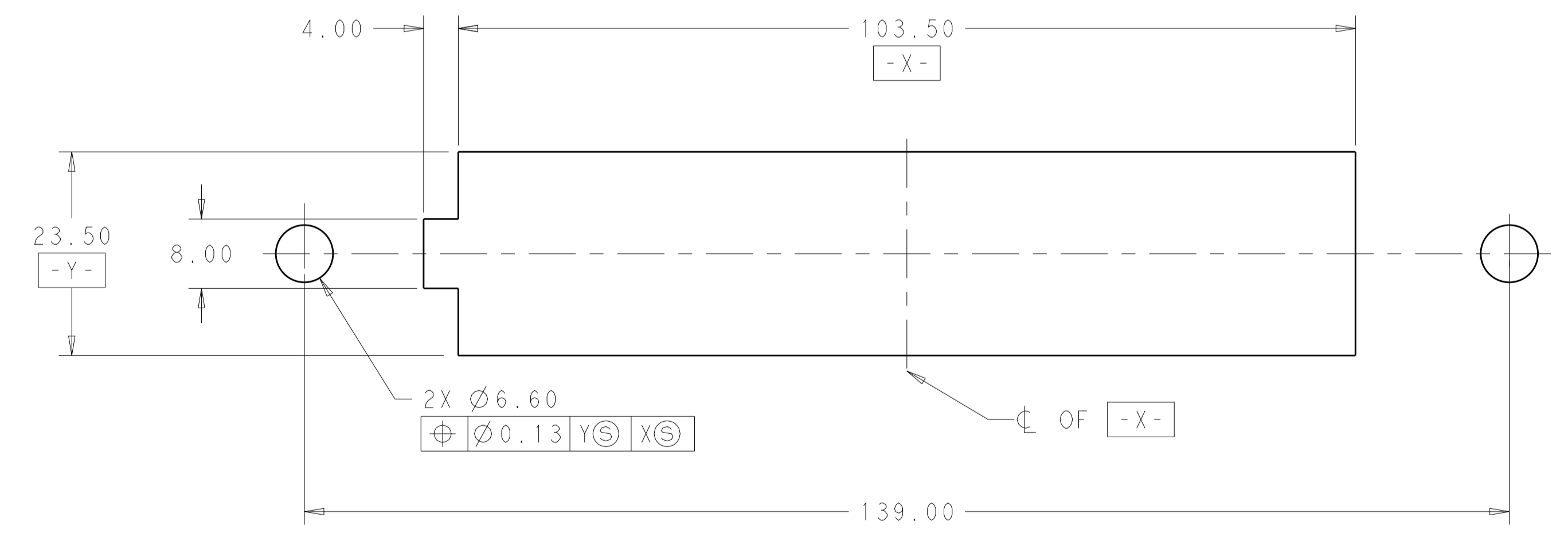
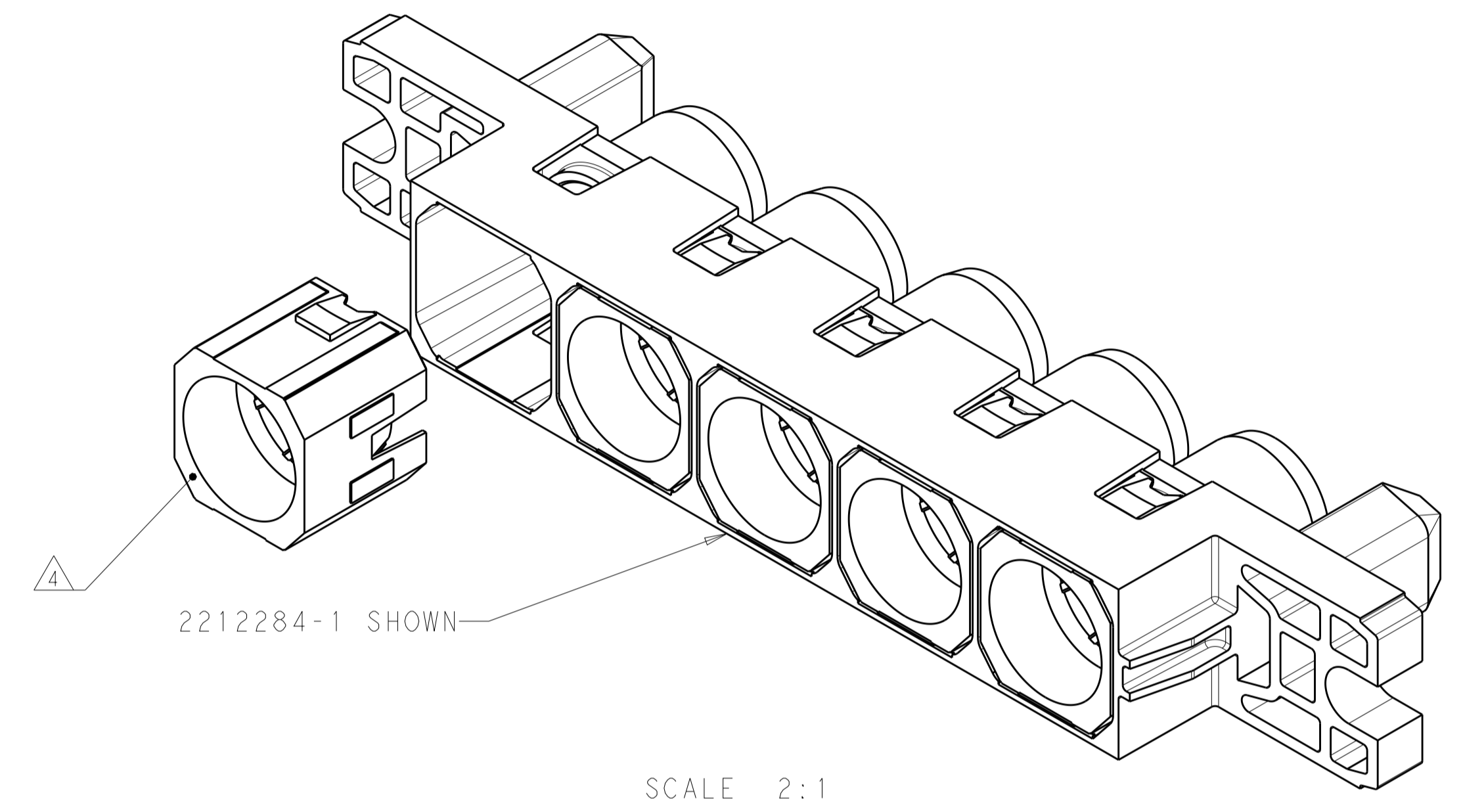


REVISIONS				
P.	LTN	DESCRIPTION	DATE	DWN APVD
5		MODIFY NAME IN TITLE BOX	24DEC2015	RS SZ
6		MODIFY NOTES	30DEC2015	RS SZ
7		MODIFY NOTES	30DEC2015	RS SZ



1. MATERIAL: THERMOPLASTIC, COLOR BLACK, FLAMMABILITY RATING: UL 94 V-0.
2. THIS ASSEMBLY MATES WITH TEC PART NUMBER 2212282-1.
3. DATE CODE AND PART NUMBER IN APPROXIMATE AREA SHOWN.
4. SIZE #0 INSERTS (QUANTITY: 5) SHIPPED ASSEMBLED INTO FRONT HOUSING.
5. RECOMMENDED PANEL CUTOUT FOR FRONT PANEL MOUNT APPLICATION. RECOMMENDED PANEL THICKNESS 1.5 TO 1.78.



5. RECOMMENDED PANEL CUTOUT  
 SCALE 2:1

2212284-1  
 PART NO.

THIS DRAWING IS A CONTROLLED DOCUMENT.		DWN R. IRENA	31 JUL 2014	TE Connectivity
DIMENSIONS:		CHK E. WICKES	31 JUL 2014	
mm	TOLERANCES UNLESS OTHERWISE SPECIFIED:	APVD S. STRICKLER	31 JUL 2014	NAME CONNECTOR, SOCKET, 1X5 5#0, PANEL MOUNT, FORGE
0 PLC ±N/A 1 PLC ±N/A 2 PLC ±0.25 3 PLC ±N/A 4 PLC ±N/A ANGLES ±N/A FINISH ±0.5°		PRODUCT SPEC		SIZE A1
MATERIAL		APPLICATION SPEC		CAGE CODE -
		WEIGHT		DRAWING NO. 2212284
		CUSTOMER DRAWING		RESTRICTED TO -
		SCALE	2:1	SHEET 1 OF 1
				REV 7

## X-ON Electronics

Largest Supplier of Electrical and Electronic Components

*Click to view similar products for [Heavy Duty Power Connectors](#) category:*

*Click to view products by [TE Connectivity](#) manufacturer:*

Other Similar products are found below :

[647757-1](#) [6643411-1](#) [6646058-2](#) [6646137-1](#) [6646138-1](#) [6646479-1](#) [6646608-1](#) [6646786-1](#) [6646940-1](#) [6651091-1](#) [6651525-1](#) [6651529-1](#)  
[6651788-1](#) [696475-1](#) [702-32-01109](#) [703-25-02205](#) [73000005059](#) [73000005642](#) [73080255059](#) [73080965046](#) [765-15-0080A](#) [765-16-0080B](#)  
[765-18-0080D](#) [829992-1](#) [902-77-02113](#) [PS00/A0620/6300](#) [PS25/A0420/63](#) [129-1J](#) [1409400](#) [AN0024023](#) [E6374G1](#) [e6389g2](#) [157-43GW8](#)  
[MS3117-14AC](#) [1643543-1](#) [1650540-1](#) [1651811-2](#) [1766260-1](#) [1766282-1](#) [1766966-1](#) [1791340000](#) [NLDFT-3-BL-L-S120-M40A](#) [NLDFT-N-](#)  
[W-L-C240-M40B](#) [NLS-2-R-C240-M40B](#) [NLS-N-W-C240-M40B](#) [NPS-3-BL-T6](#) [1986615-1](#) [2-1589900-8](#) [2199314-1](#) [KA8102](#)