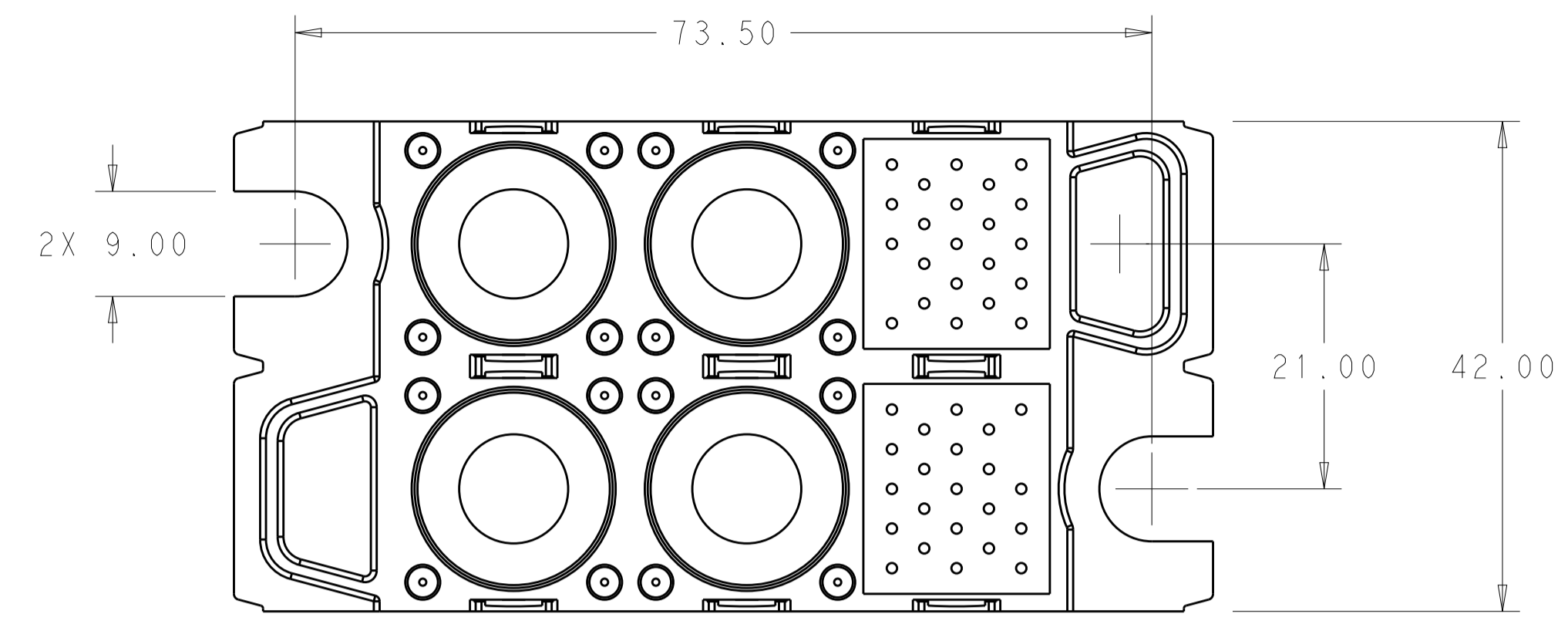
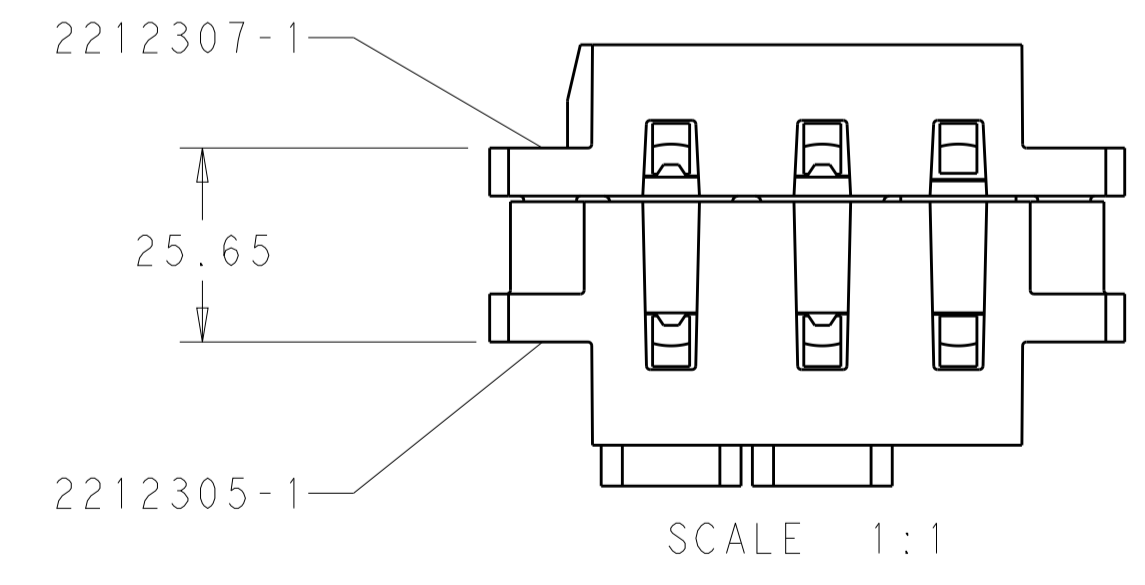
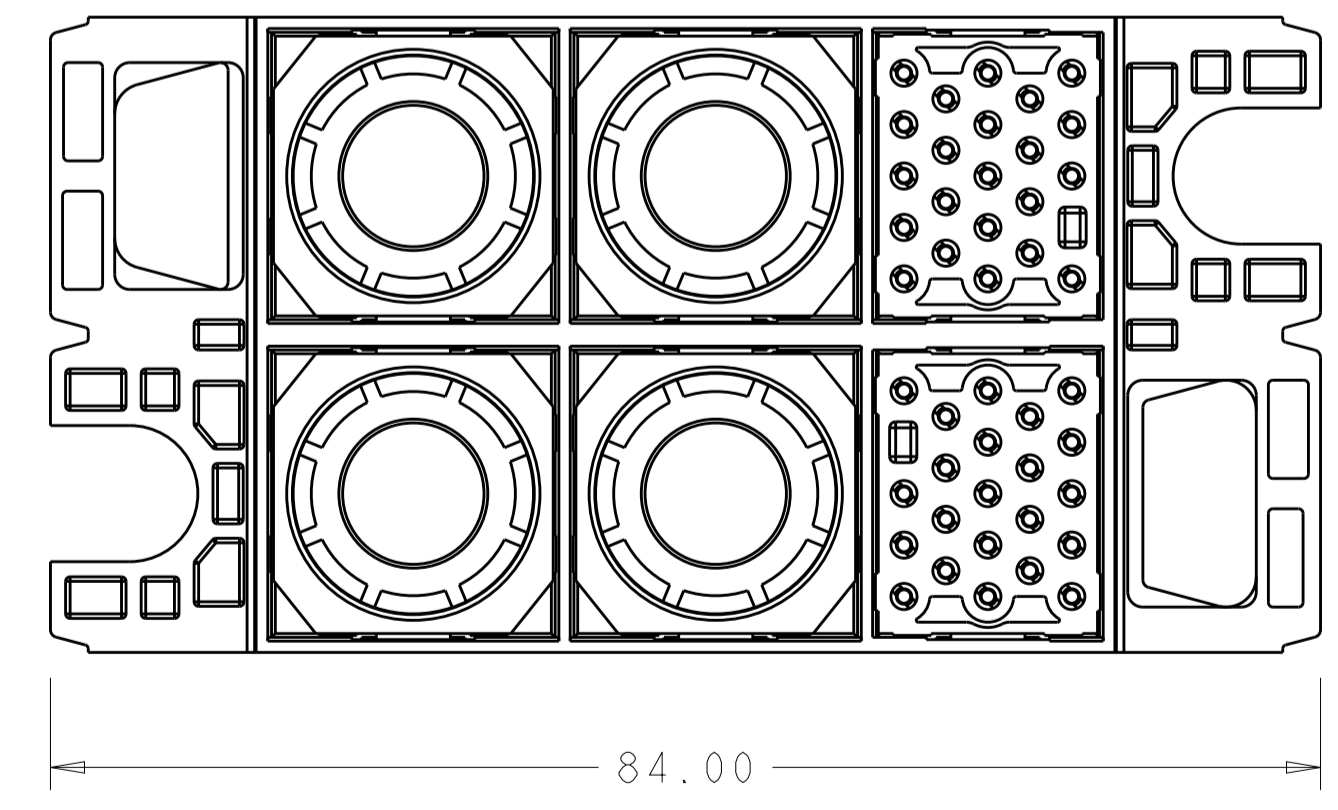
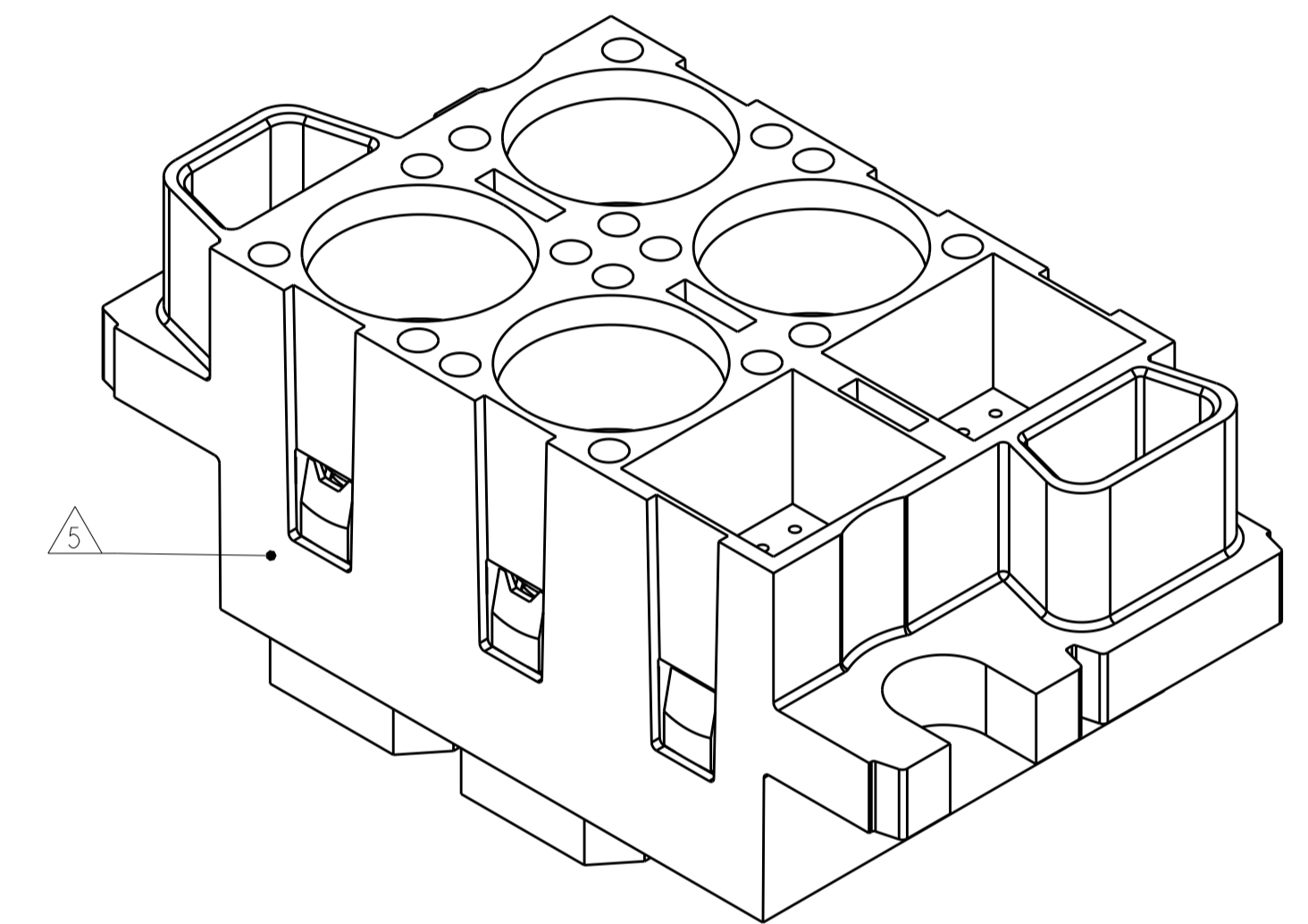
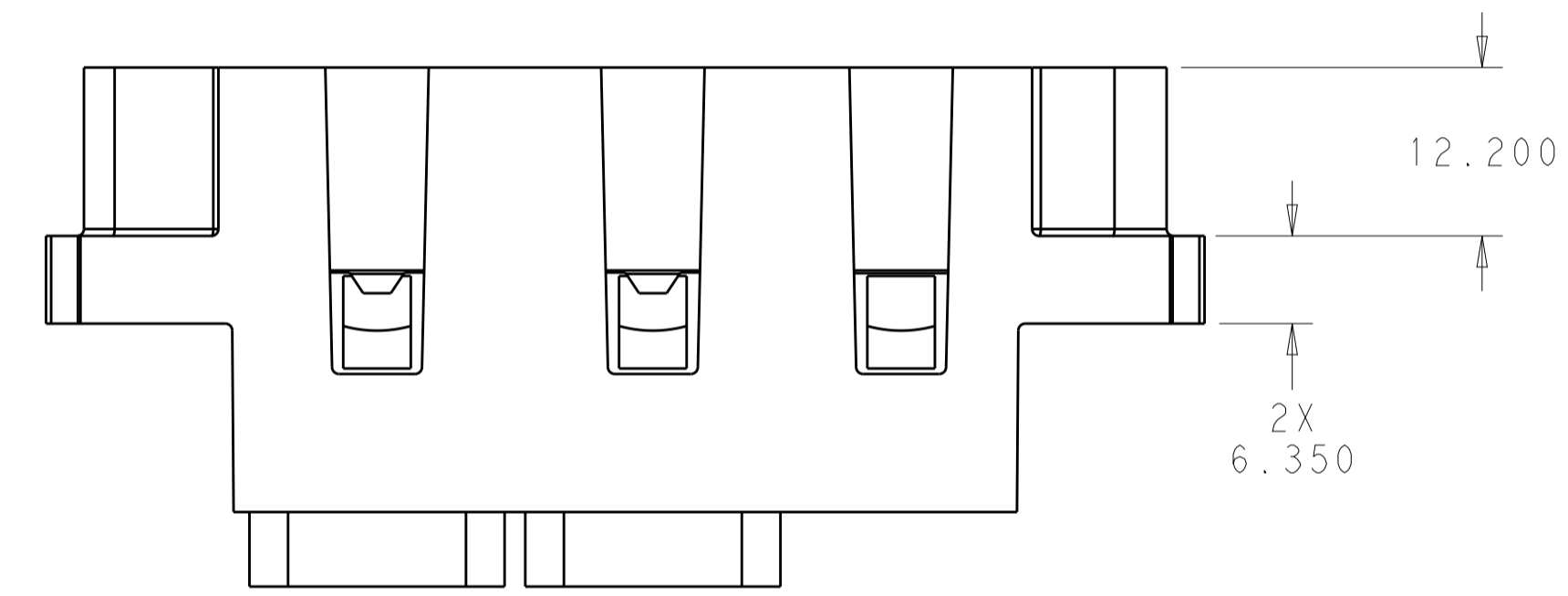
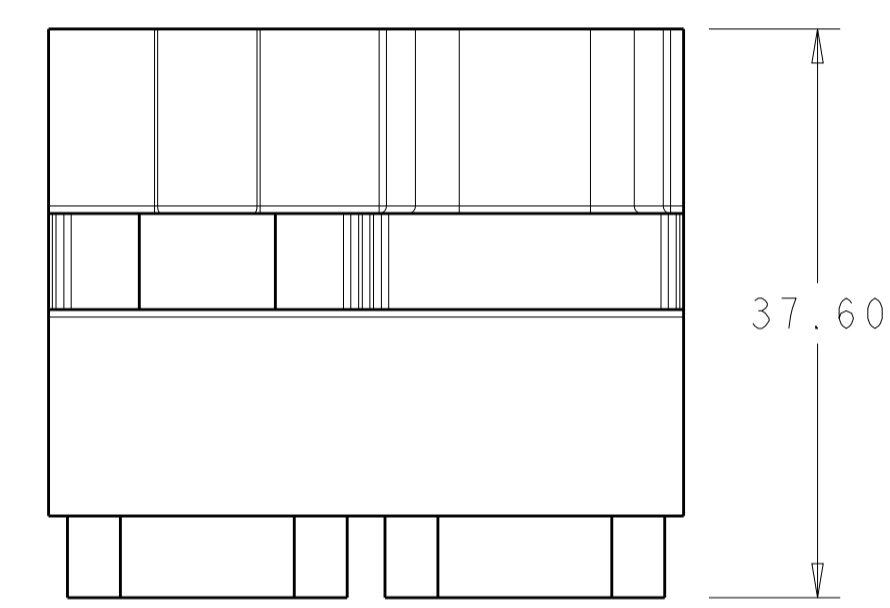


LOC		DIST		REVISIONS			
				DESCRIPTION	DATE	DMN	APVD
-	-	-	-				



- 1 HOUSING: THERMOPLASTIC, COLOR BLACK, FLAMMABILITY RATING UL 94 V-0.
- 2 THIS ASSEMBLY TO MATE WITH TEC PART NUMBER 2212307-1.
- 3. RECOMMENDED SHOULDER SCREW:
2212056, FLOAT MOUNT
2212055, FIXED MOUNT
- 4 RECOMMENDED PANEL CUTOUT FOR FRONT PANEL MOUNT APPLICATION.
RECOMMENDED PANEL THICKNESS 1.5 TO 1.78.
- 5 DATE CODE AND PART NUMBER IN APPROXIMATE AREA SHOWN.



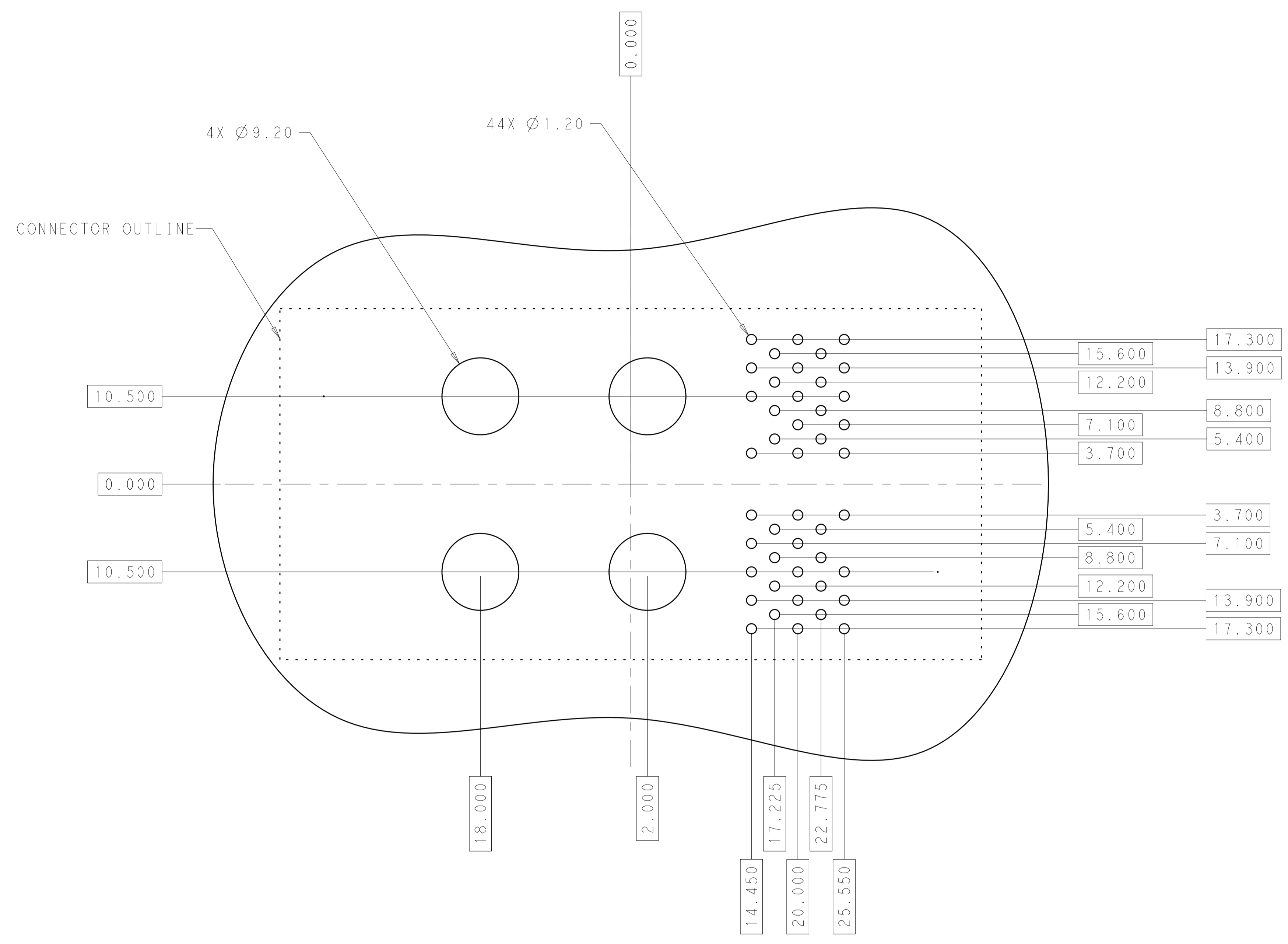
FULLY MATED ASSEMBLIES 2

CONNECTOR, PIN, FORGE 4x#0,0x#4,0x#8,0x#12,2x#22	2212305-1
DESCRIPTION	PART NO.

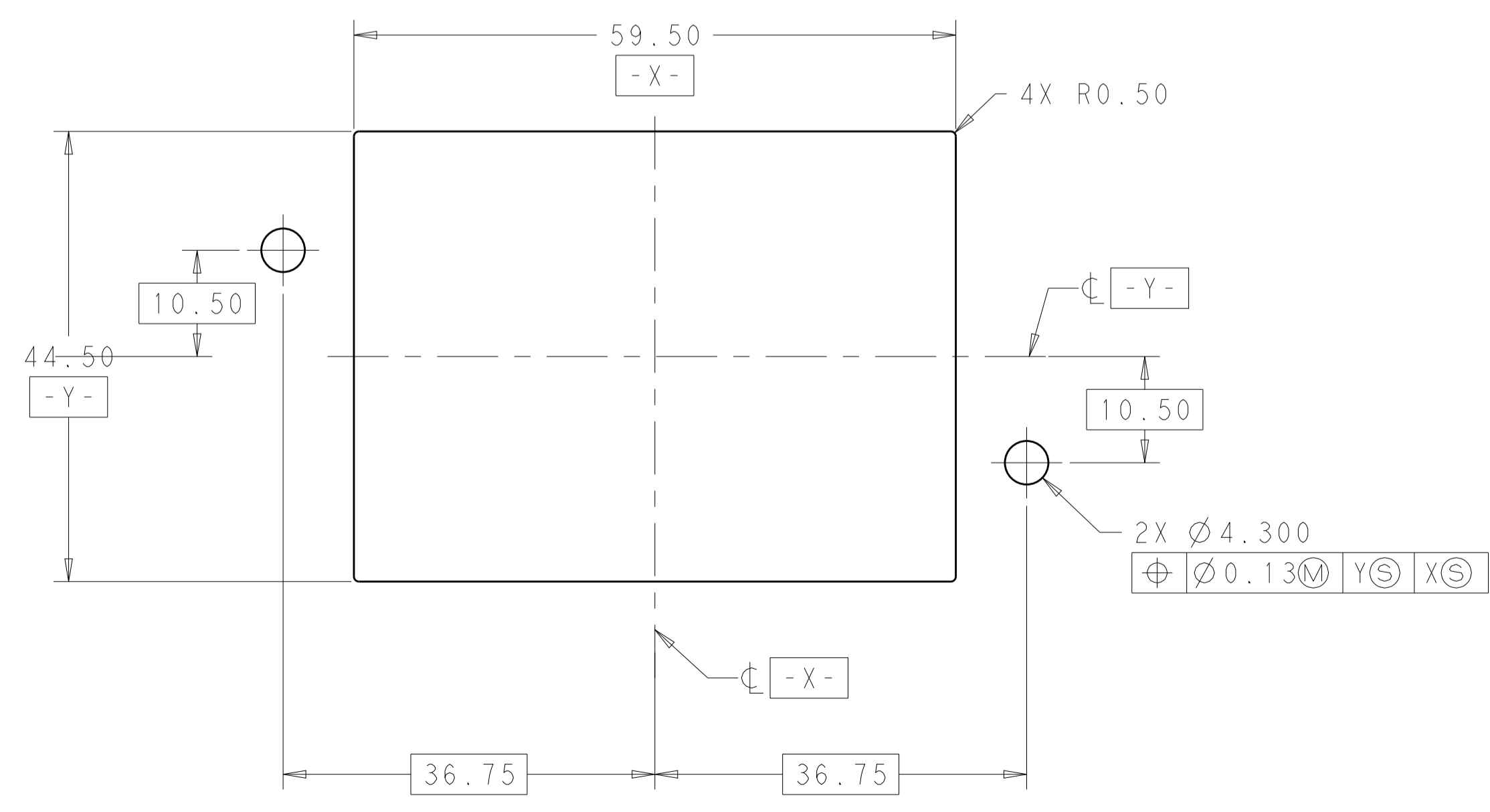
THIS PRINT IS
PRELIMINARY
 UNQUALIFIED PRODUCT
 CONTACT PRODUCT ENGINEERING
 BEFORE USING THIS PRINT

THIS DRAWING IS A CONTROLLED DOCUMENT.		DMN R. TREA 12FEB2015	
DIMENSIONS: mm		CHK E. WICKES 12FEB2015	
TOLERANCES UNLESS OTHERWISE SPECIFIED:		APVD D. ORRIS 12FEB2015	NAME
0 PLC ±N/A		PRODUCT SPEC	CONNECTOR, PIN, FORGE
1 PLC ±N/A		108-2323	4x#0,0x#4,0x#8,0x#12,2x#22
2 PLC ±0.25		APPLICATION SPEC	CONFIGURATION
3 PLC ±0.13		114-13299	SIZE
4 PLC ±N/A		WEIGHT	A100779C=2212305
ANGLES ±N/A		Customer Drawing	RESTRICTED TO
FINISH		SCALE	1:1
		SHEET	1 OF 2
		REV	1

LOC		DIST		REVISIONS			
				REV	DATE	BY	APPV
-	-	-	-	-	-	-	-
-	-	-	-	-	SEE SHEET 1	-	-



RECOMMENDED PCB LAYOUT
 SCALE 3:1



RECOMMENDED PANEL CUTOUT
 SCALE 2:1

THIS DRAWING IS A CONTROLLED DOCUMENT.		OWN: R. IREDA 12FEB2015	TE Connectivity
DIMENSIONS: mm		CHK: E. WICKES 12FEB2015	
TOLERANCES UNLESS OTHERWISE SPECIFIED:		APVD: D. ORRIS 12FEB2015	NAME: CONNECTOR, PIN, FORGE
0 PLC ±N/A		PRODUCT SPEC: 108-2323	4x#0, 0x#4, 0x#8, 0x#12, 2x#22 CONFIGURATION
1 PLC ±N/A		APPLICATION SPEC: 114-13299	SIZE: A1
2 PLC ±0.25		WEIGHT: -	CAGE CODE: 2212305
3 PLC ±0.75		Customer Drawing	SCALE: 1:1
4 PLC ±1.3			SHEET 2 OF 2
ANGLES ±N/A			REV 1
FINISH: -			

X-ON Electronics

Largest Supplier of Electrical and Electronic Components

Click to view similar products for [Heavy Duty Power Connectors](#) category:

Click to view products by [TE Connectivity](#) manufacturer:

Other Similar products are found below :

[647757-1](#) [6643411-1](#) [6646058-2](#) [6646137-1](#) [6646138-1](#) [6646479-1](#) [6646608-1](#) [6646786-1](#) [6646940-1](#) [6651091-1](#) [6651525-1](#) [6651529-1](#)
[6651788-1](#) [696475-1](#) [702-32-01109](#) [703-25-02205](#) [73000005059](#) [73000005642](#) [73080255059](#) [73080965046](#) [765-15-0080A](#) [765-16-0080B](#)
[765-18-0080D](#) [829992-1](#) [902-77-02113](#) [PS00/A0620/6300](#) [PS25/A0420/63](#) [129-1J](#) [1409400](#) [AN0024023](#) [E6374G1](#) [e6389g2](#) [157-43GW8](#)
[MS3117-14AC](#) [1643543-1](#) [1650540-1](#) [1651811-2](#) [1766260-1](#) [1766282-1](#) [1766966-1](#) [1791340000](#) [NLDFT-3-BL-L-S120-M40A](#) [NLDFT-N-](#)
[W-L-C240-M40B](#) [NLS-2-R-C240-M40B](#) [NLS-N-W-C240-M40B](#) [NPS-3-BL-T6](#) [1986615-1](#) [2-1589900-8](#) [2199314-1](#) [KA8102](#)