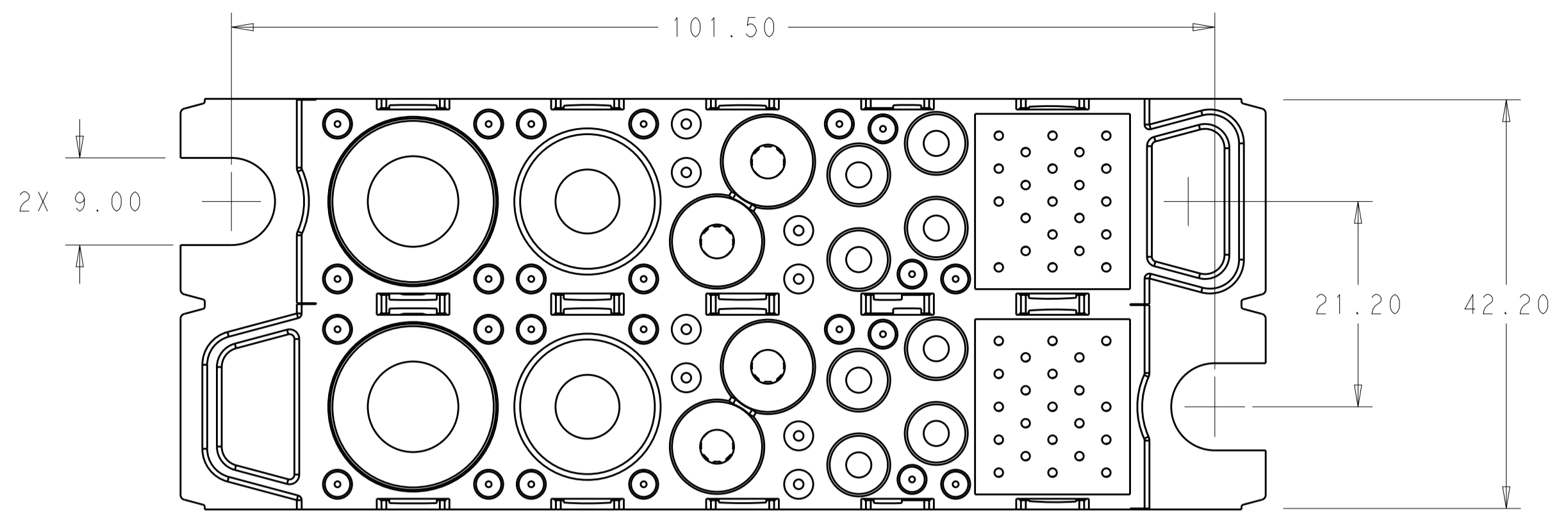
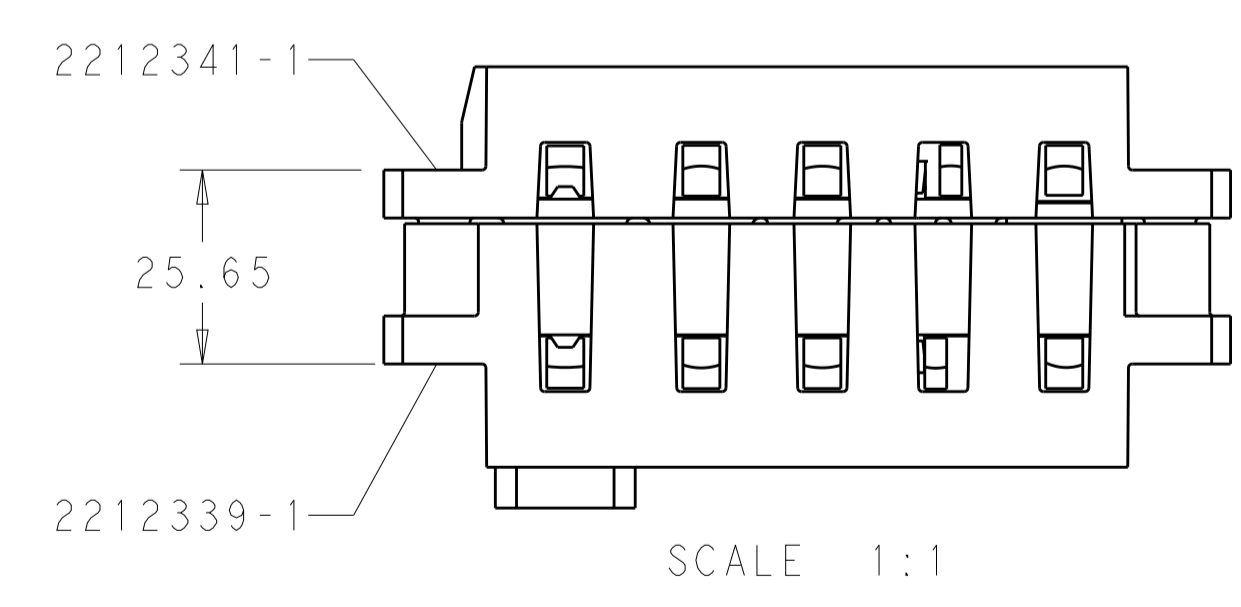
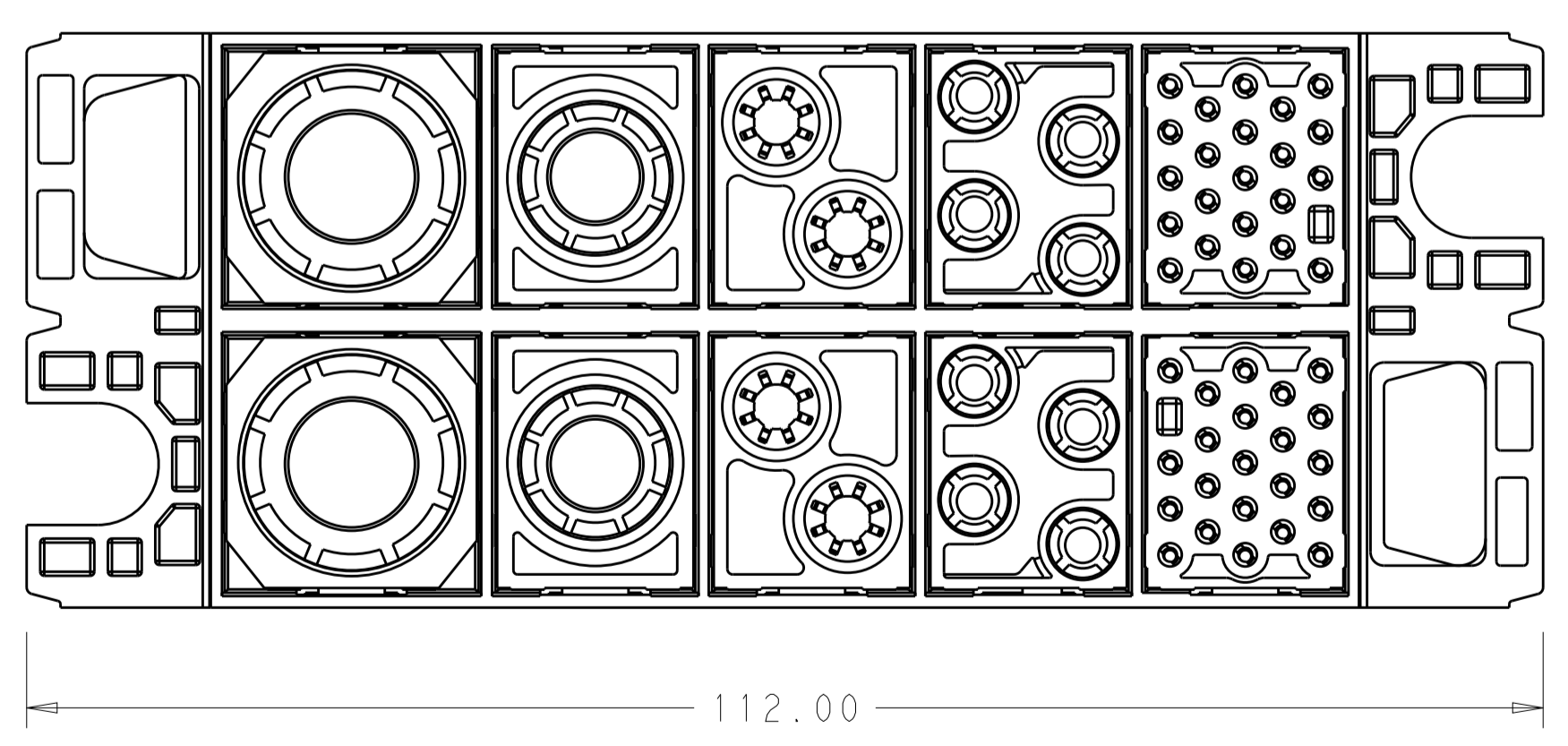
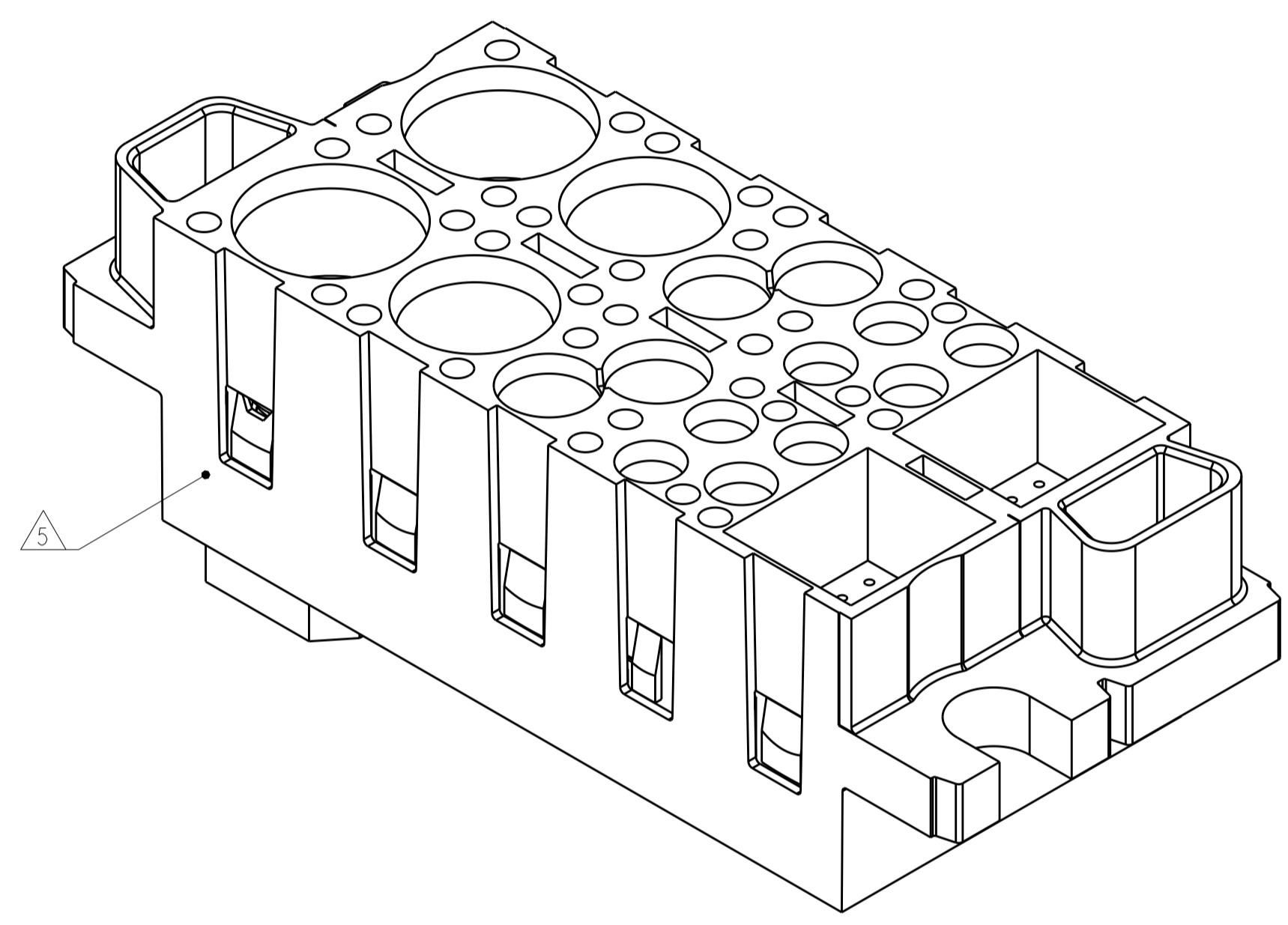
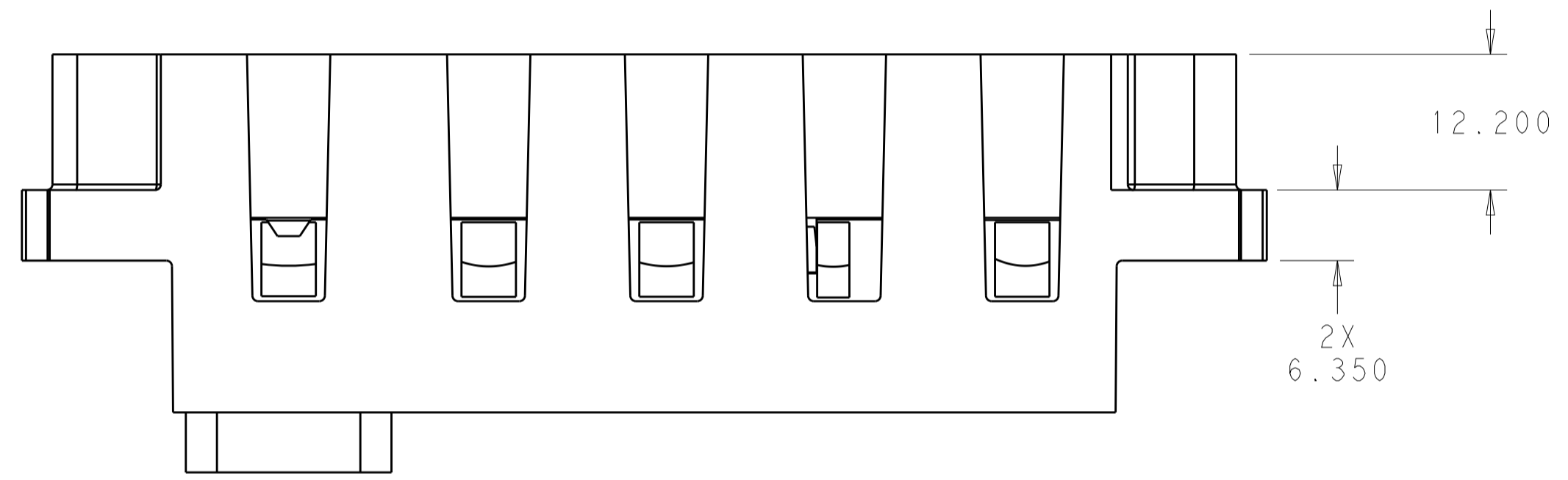


REVISEMENTS		DATE	OWN	APVD
P	LTH			
A	INITIAL RELEASE	28FEB2018	OL	SZ



- 1 HOUSING: THERMOPLASTIC, COLOR BLACK, FLAMMABILITY RATING UL 94 V-0.
- 2 THIS ASSEMBLY TO MATE WITH TEC PART NUMBER 2212341-1.
- 3. RECOMMENDED SHOULDER SCREW: 2212056, FLOAT MOUNT
- 4 RECOMMENDED PANEL CUTOUT FOR FRONT PANEL MOUNT APPLICATION. RECOMMENDED PANEL THICKNESS 1.5 TO 1.78.
- 5 DATE CODE AND PART NUMBER IN APPROXIMATE AREA SHOWN.

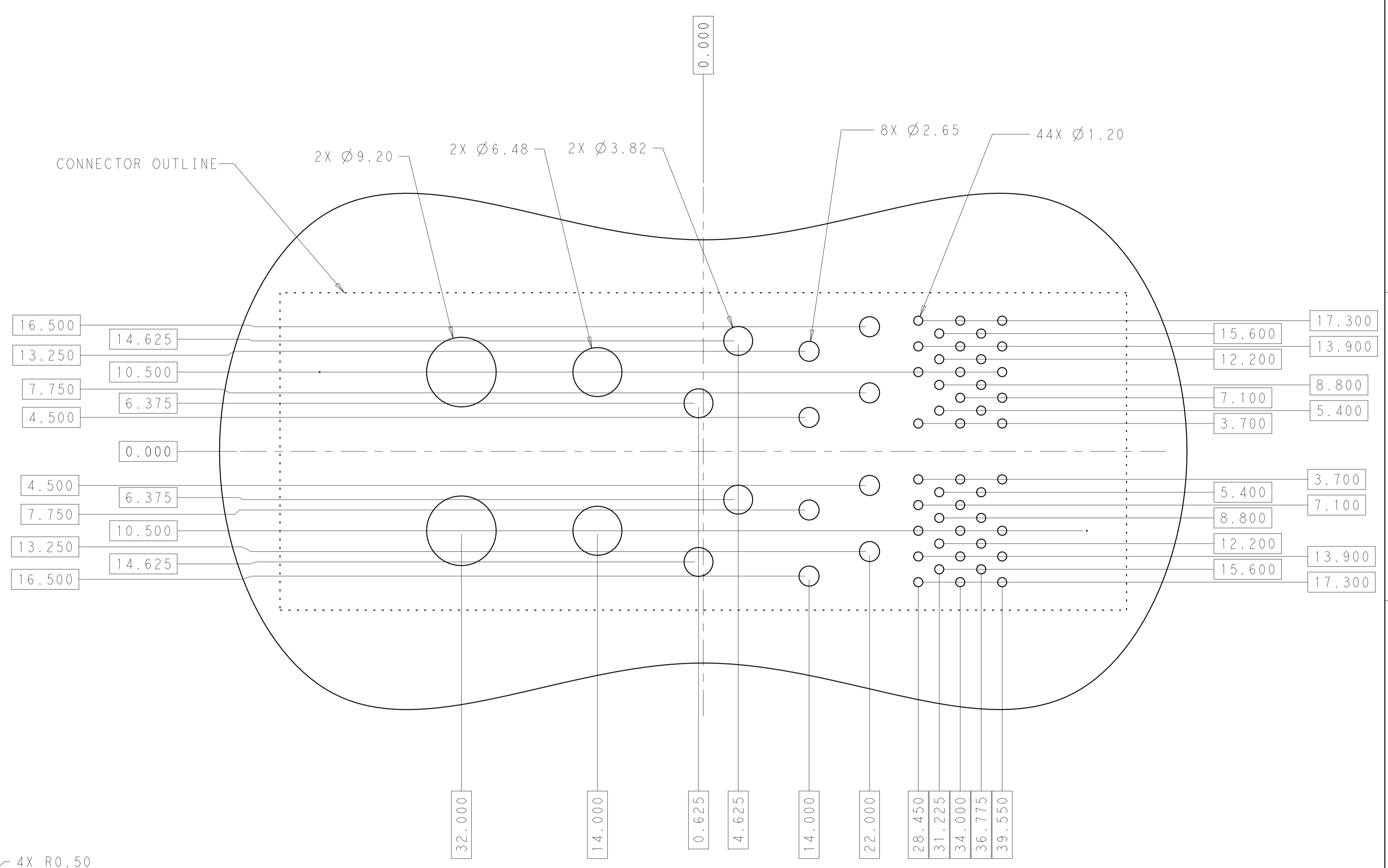


SCALE 1:1

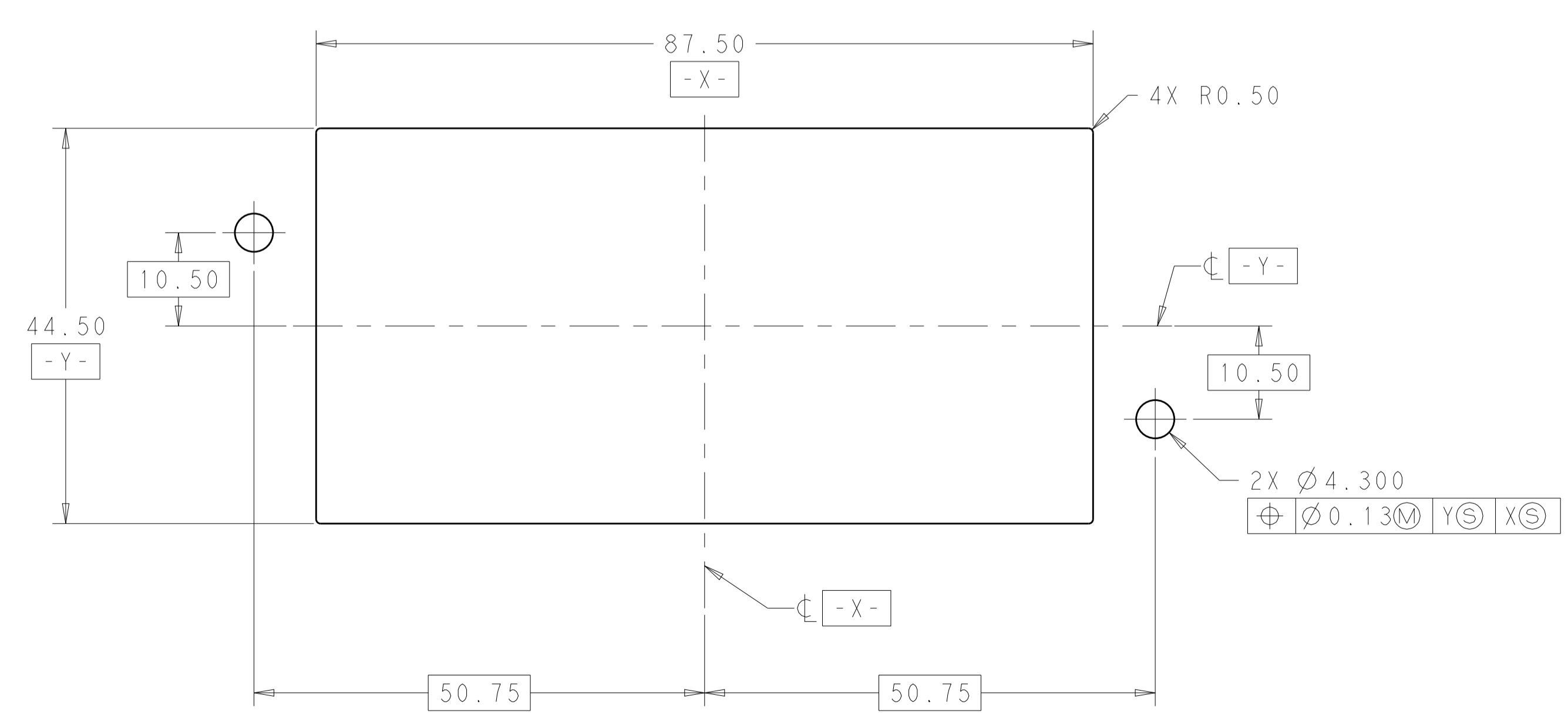
FULLY MATED ASSEMBLIES 2

CONNECTOR, PIN, FORGE 2x#0,2x#4,2x#8,2x#12,2x#22		2212339-1	
DESCRIPTION		PART NO.	
THIS DRAWING IS A CONTROLLED DOCUMENT.		OWN: R. IREDA 11DEC2014	TE Connectivity
DIMENSIONS: mm		CHK: E. WICKES 11DEC2014	
TOLERANCES UNLESS OTHERWISE SPECIFIED:		APVD: S. STRICKLER 11DEC2014	NAME: S. STRICKLER
0 PLC ±N/A		PRODUCT SPEC: 108-2323	PRODUCT SPEC: CONNECTOR, PIN, FORGE
1 PLC ±N/A		APPLICATION SPEC: 114-13299	APPLICATION SPEC: 2x#0,2x#4,2x#8,2x#12,2x#22
2 PLC ±0.25		SIZE: 114-13299	SIZE: 114-13299
3 PLC ±0.13		WEIGHT: -	WEIGHT: -
4 PLC ±N/A		CAGE CODE: -	CAGE CODE: -
ANGLES ±N/A		DRAWING NO: 2212339	DRAWING NO: 2212339
FINISH: -		RESTRICTED TO: -	RESTRICTED TO: -
MATERIAL: -		CUSTOMER DRAWING	CUSTOMER DRAWING

LOC		DIST		REVISIONS			
P	LTN	DESCRIPTION	DATE	DMN	APVD		
-	-	SEE SHEET 1	-	-	-		



16.500	14.625	17.300
13.250	10.500	13.900
7.750	6.375	8.800
4.500	0.000	5.400
4.500	6.375	3.700
7.750	10.500	8.800
13.250	14.625	12.200
16.500		15.600
		17.300



RECOMMENDED PANEL CUTOUT
 SCALE 2:1

RECOMMENDED PCB LAYOUT
 SCALE 3:1

THIS DRAWING IS A CONTROLLED DOCUMENT.		DMN R. IREDA 11DEC2014	TE Connectivity
DIMENSIONS: mm		CHK E. WICKES 11DEC2014	
TOLERANCES UNLESS OTHERWISE SPECIFIED: 0 PLC ±N/A 1 PLC ±N/A 2 PLC ±0.25 3 PLC ±0.13 4 PLC ±N/A ANGLES ±N/A FINISH ±N/A		APVD S. STRICKLER 11DEC2014	NAME CONNECTOR, PIN, FORGE 2x#0, 2x#4, 2x#8, 2x#12, 2x#22 CONFIGURATION
MATERIAL		PRODUCT SPEC 108-2323	SIZE A1
		APPLICATION SPEC 114-13299	CAGE CODE 00779
		WEIGHT	DRAWING NO C=2212339
		CUSTOMER DRAWING	RESTRICTED TO
		SCALE 1:1	SHEET 2 OF 2
			REV A

X-ON Electronics

Largest Supplier of Electrical and Electronic Components

Click to view similar products for [Heavy Duty Power Connectors](#) category:

Click to view products by [TE Connectivity](#) manufacturer:

Other Similar products are found below :

[647757-1](#) [6643411-1](#) [6646058-2](#) [6646137-1](#) [6646138-1](#) [6646479-1](#) [6646608-1](#) [6646786-1](#) [6646940-1](#) [6651091-1](#) [6651525-1](#) [6651529-1](#)
[6651788-1](#) [696475-1](#) [702-32-01109](#) [703-25-02205](#) [73000005059](#) [73000005642](#) [73080255059](#) [73080965046](#) [765-15-0080A](#) [765-16-0080B](#)
[765-18-0080D](#) [829992-1](#) [902-77-02113](#) [PS00/A0620/6300](#) [PS25/A0420/63](#) [129-1J](#) [1409400](#) [AN0024023](#) [E6374G1](#) [e6389g2](#) [157-43GW8](#)
[MS3117-14AC](#) [1643543-1](#) [1650540-1](#) [1651811-2](#) [1766260-1](#) [1766282-1](#) [1766966-1](#) [1791340000](#) [NLDFT-3-BL-L-S120-M40A](#) [NLDFT-N-](#)
[W-L-C240-M40B](#) [NLS-2-R-C240-M40B](#) [NLS-N-W-C240-M40B](#) [NPS-3-BL-T6](#) [1986615-1](#) [2-1589900-8](#) [2199314-1](#) [KA8102](#)