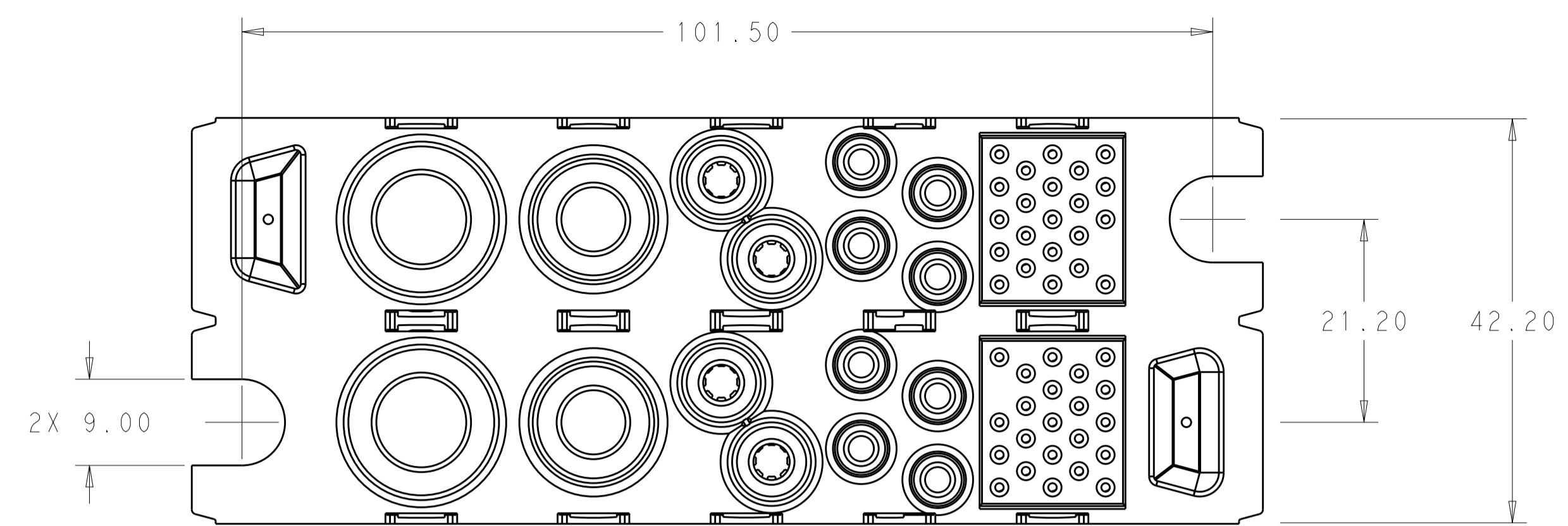
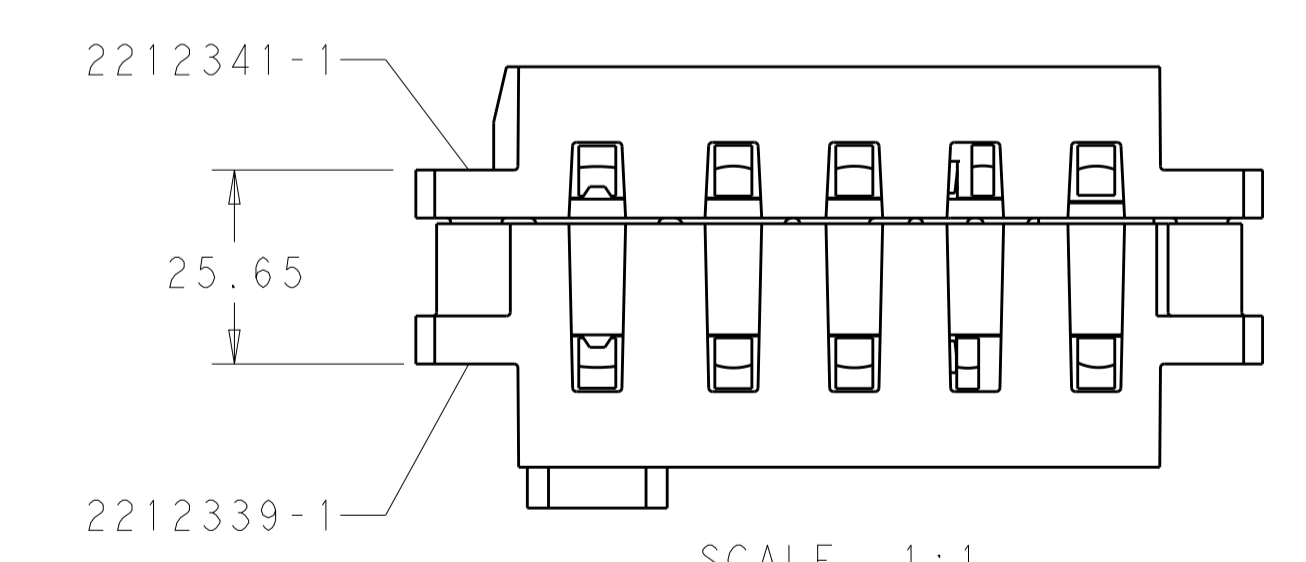
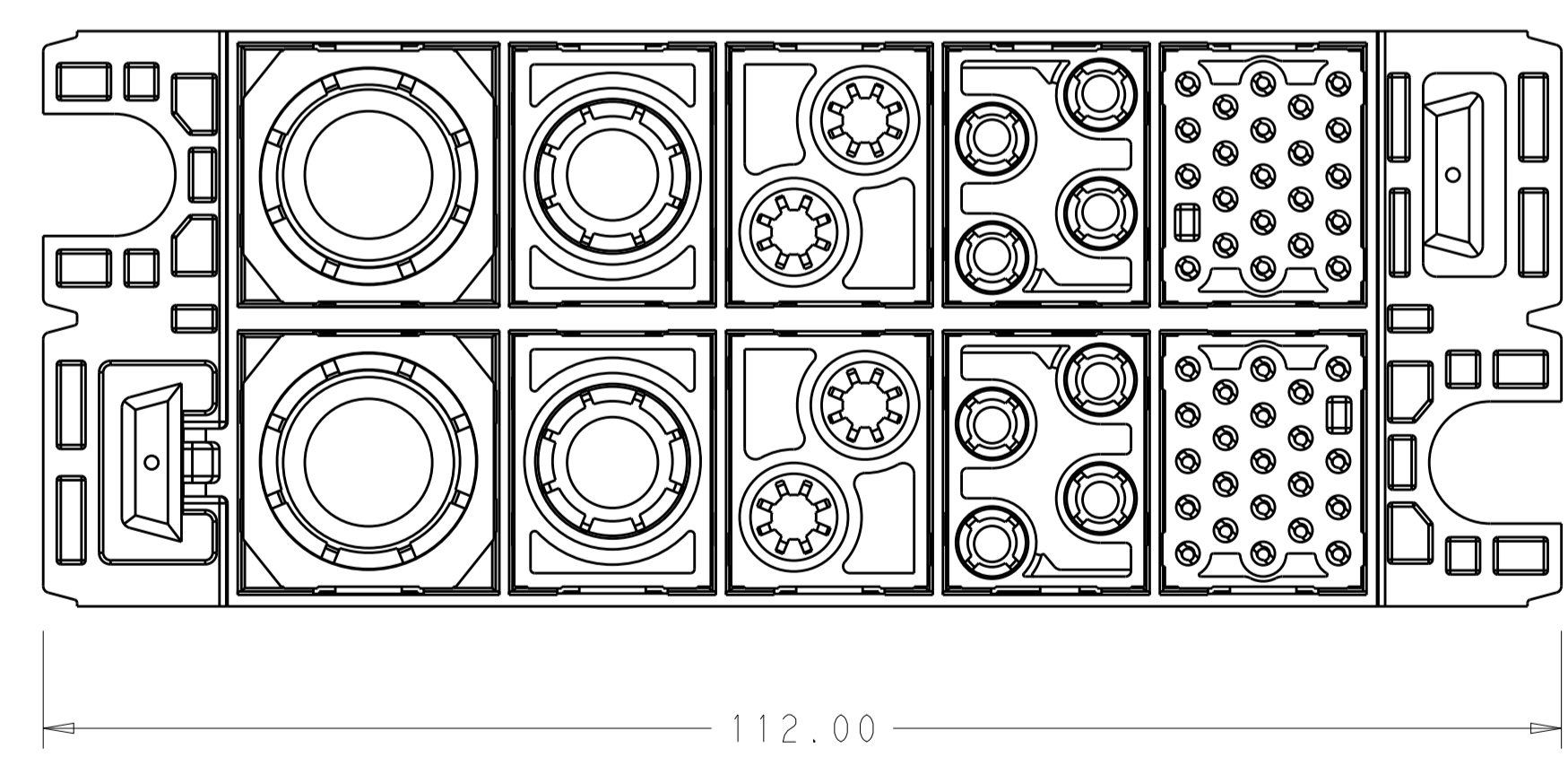
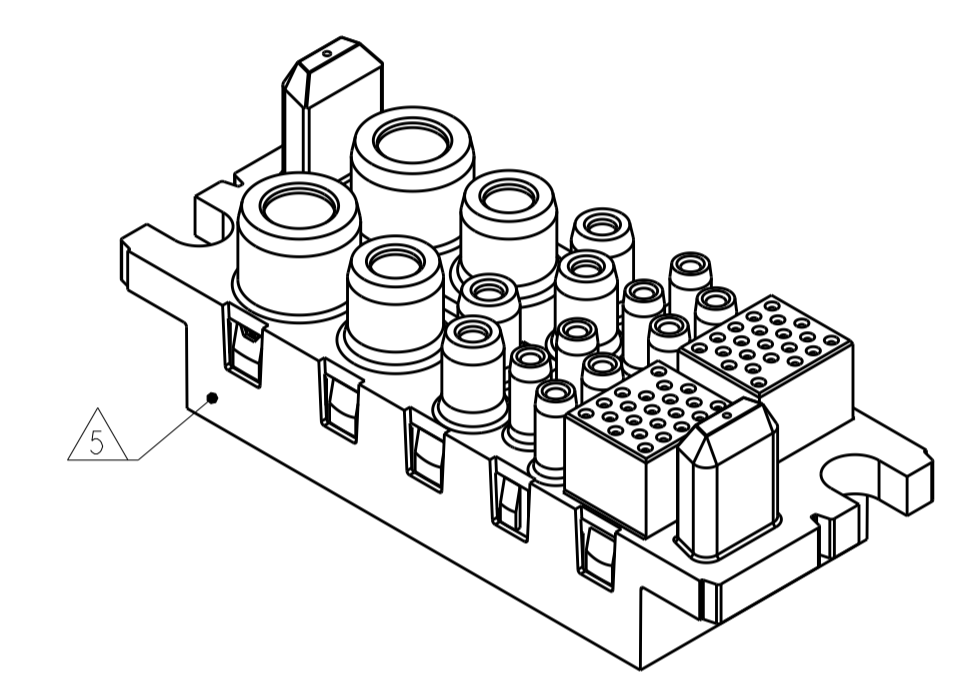
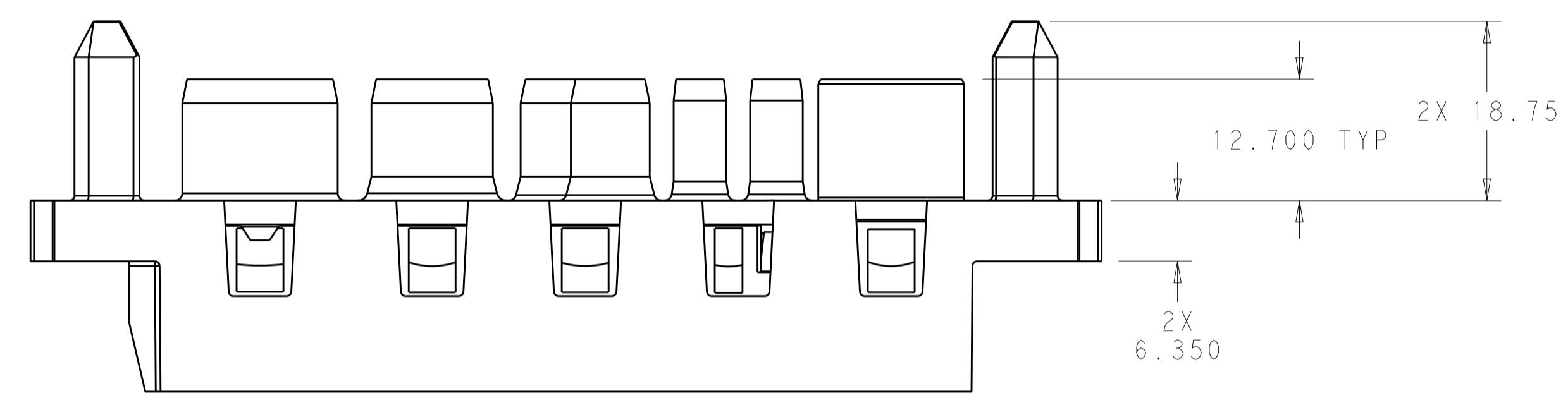
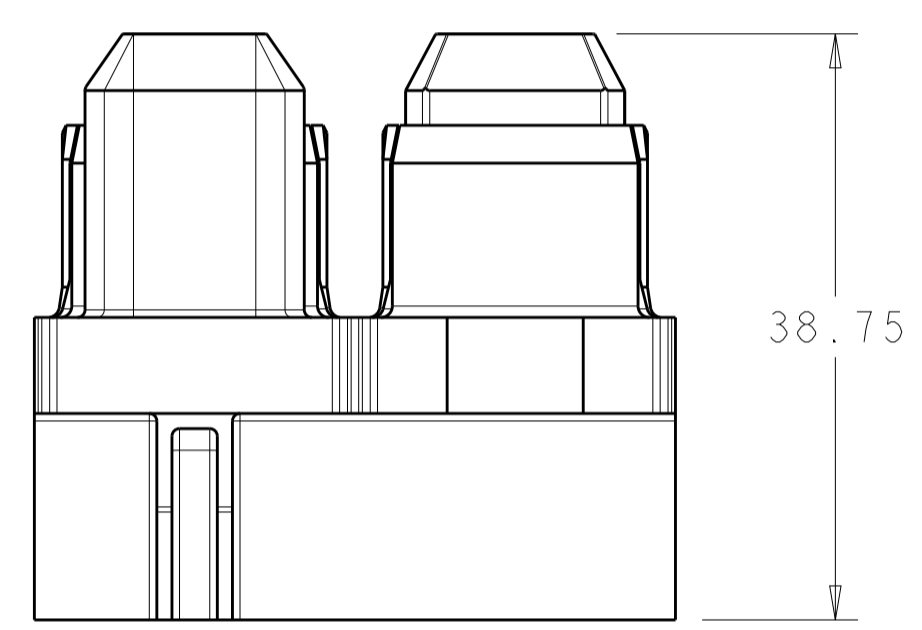


LOC		DIST		REVISIONS			
P	LTN	DESCRIPTION	DATE	DMN	APVD		
A		INITIAL RELEASE	28FEB2018	OL	SZ		



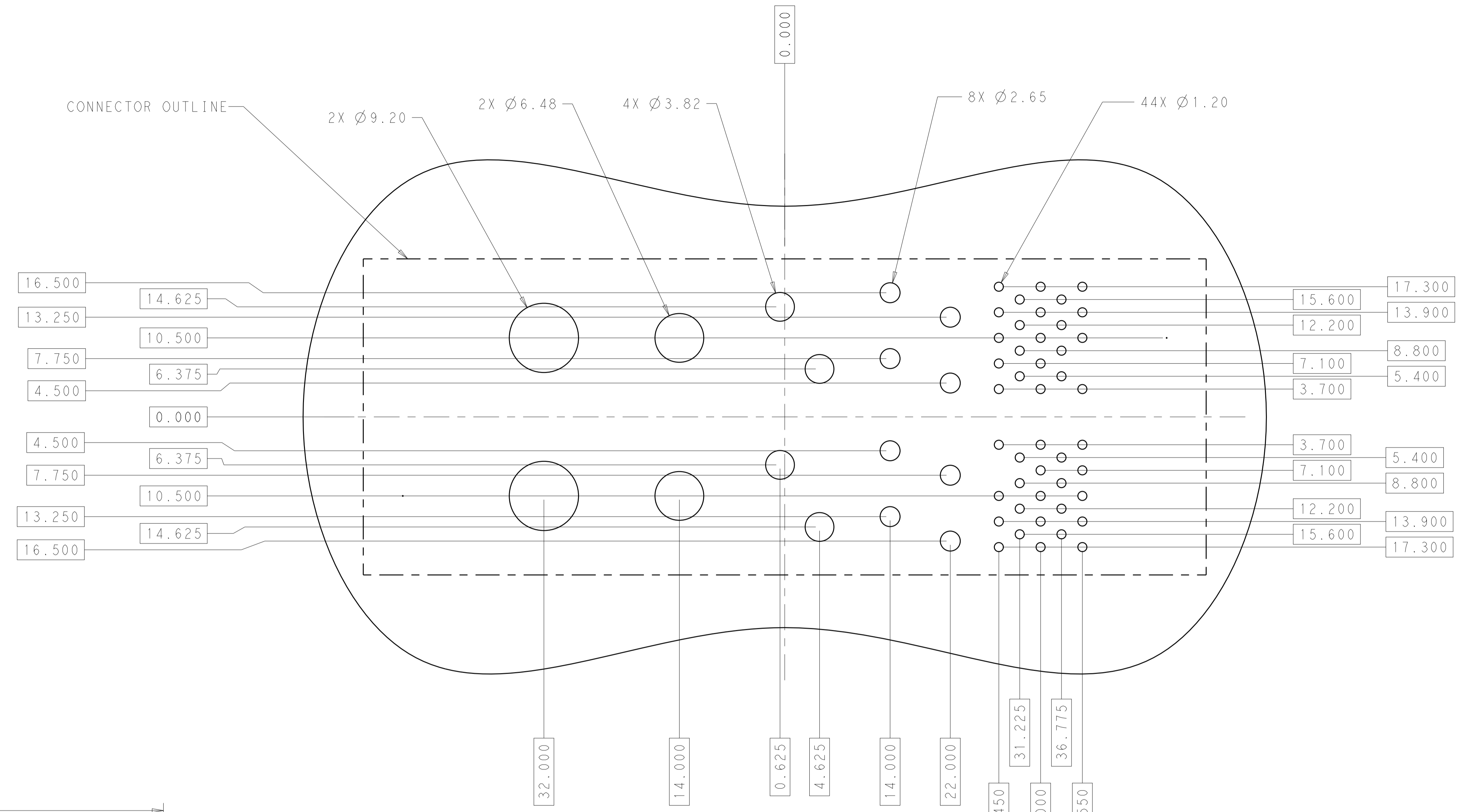
- △ HOUSING: THERMOPLASTIC, COLOR BLACK, FLAMMABILITY RATING UL 94 V-0.
- △ THIS ASSEMBLY TO MATE WITH TEC PART NUMBER 2212339-1.
- 3. RECOMMENDED SHOULDER SCREW: 2212056, FLOAT MOUNT
- △ RECOMMENDED PANEL CUTOUT FOR FRONT PANEL MOUNT APPLICATION. RECOMMENDED PANEL THICKNESS 1.5 TO 1.78.
- △ DATE CODE AND PART NUMBER IN APPROXIMATE AREA SHOWN.



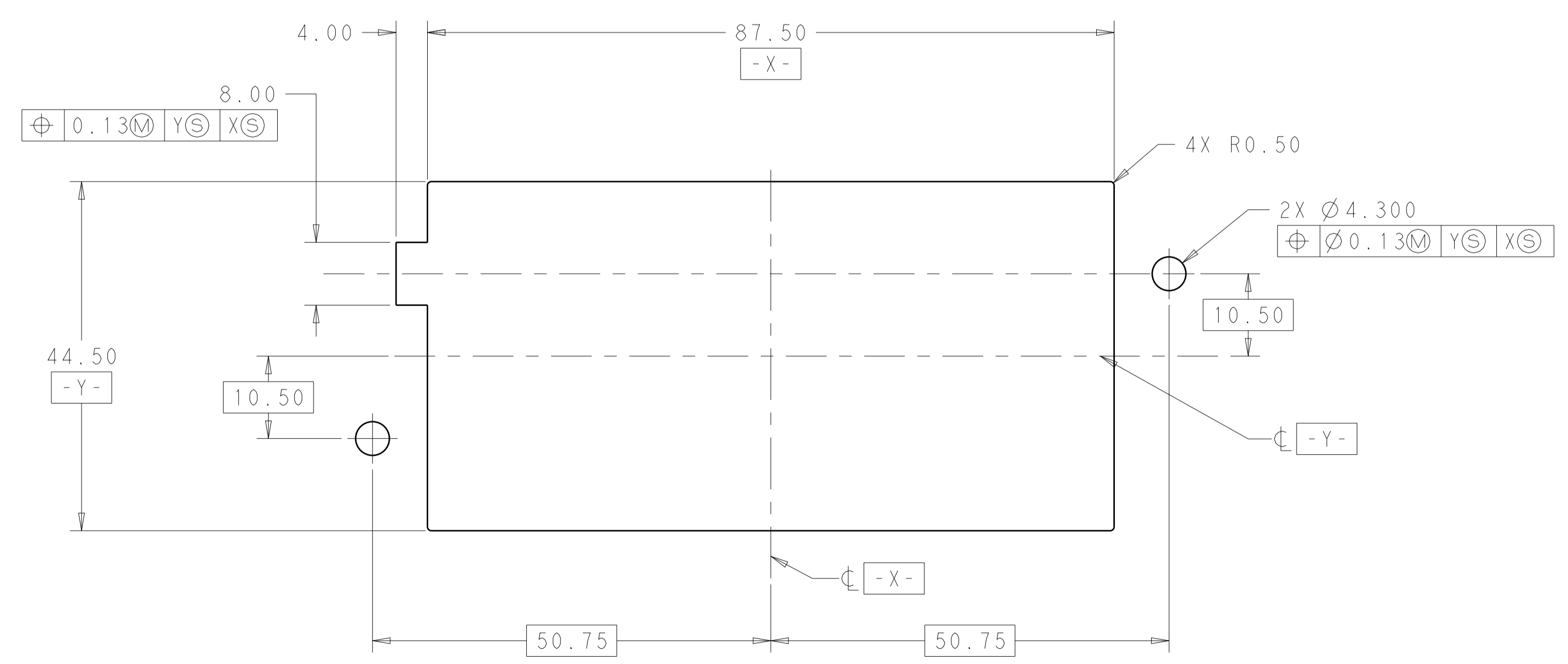
SCALE 1:1
 FULLY MATED ASSEMBLIES △

CONNECTOR, SOCKET, FORGE 2x#0,2x#4,2x#8,2x#12,2x#22,		2212341-1	
DESCRIPTION		PART NO.	
THIS DRAWING IS A CONTROLLED DOCUMENT.		DMN R. IREDA 11DEC2014	TE Connectivity
DIMENSIONS:		CHK E. WICKES 11DEC2014	
TOLERANCES UNLESS OTHERWISE SPECIFIED:		APVD S. STRICKLER 11DEC2014	
mm		NAME S. STRICKLER	
0 PLC ±N/A		PRODUCT SPEC	CONNECTOR, SOCKET, FORGE 2x#0,2x#4,2x#8,2x#12,2x#22 CONFIGURATION
1 PLC ±N/A		108-2323	
2 PLC ±0.25		APPLICATION SPEC	SIZE
3 PLC ±0.13		114-13299	CAGE CODE
4 PLC ±N/A		WEIGHT	DRAWING NO.
ANGLES ±N/A		CUSTOMER DRAWING	RESTRICTED TO
FINISH		SCALE 2:1	SHEET 1 OF 2
MATERIAL		REV A	

LOC	DIST	REV	DATE	BY	APPD
-	-	-	-	-	-
SEE SHEET 1					



RECOMMENDED PCB LAYOUT
SCALE 3:1



RECOMMENDED PANEL CUTOUT \triangle
SCALE 2:1

THIS DRAWING IS A CONTROLLED DOCUMENT.		OWN: R. IRENA 11DEC2014	TE Connectivity
DIMENSIONS: mm		CHK: E. WICKES 11DEC2014	
TOLERANCES UNLESS OTHERWISE SPECIFIED:		APVD: S. STRICKLER 11DEC2014	NAME: CONNECTOR, SOCKET, FORGE
0 PLC $\pm N/A$		PRODUCT SPEC: 108-2323	2x#0, 2x#4, 2x#8, 2x#12, 2x#22
1 PLC $\pm N/A$		APPLICATION SPEC: 114-13299	CONFIGURATION
2 PLC ± 0.25		SIZE: A1	CAGE CODE: 00779
3 PLC ± 0.13		WEIGHT: -	DRAWING NO: 2212341
4 PLC $\pm N/A$		FINISH: -	RESTRICTED TO: -
MATERIAL: -		CUSTOMER DRAWING	SCALE: 2:1
			SHEET: 2 OF 2
			REV: A

X-ON Electronics

Largest Supplier of Electrical and Electronic Components

Click to view similar products for [Heavy Duty Power Connectors](#) category:

Click to view products by [TE Connectivity](#) manufacturer:

Other Similar products are found below :

[647757-1](#) [6643411-1](#) [6646058-2](#) [6646137-1](#) [6646138-1](#) [6646479-1](#) [6646608-1](#) [6646786-1](#) [6646940-1](#) [6651091-1](#) [6651525-1](#) [6651529-1](#)
[6651788-1](#) [696475-1](#) [702-32-01109](#) [703-25-02205](#) [73000005059](#) [73000005642](#) [73080255059](#) [73080965046](#) [765-15-0080A](#) [765-16-0080B](#)
[765-18-0080D](#) [829992-1](#) [902-77-02113](#) [PS00/A0620/6300](#) [PS25/A0420/63](#) [129-1J](#) [1409400](#) [AN0024023](#) [E6374G1](#) [e6389g2](#) [157-43GW8](#)
[MS3117-14AC](#) [1643543-1](#) [1650540-1](#) [1651811-2](#) [1766260-1](#) [1766282-1](#) [1766966-1](#) [1791340000](#) [NLDFT-3-BL-L-S120-M40A](#) [NLDFT-N-](#)
[W-L-C240-M40B](#) [NLS-2-R-C240-M40B](#) [NLS-N-W-C240-M40B](#) [NPS-3-BL-T6](#) [1986615-1](#) [2-1589900-8](#) [2199314-1](#) [KA8102](#)