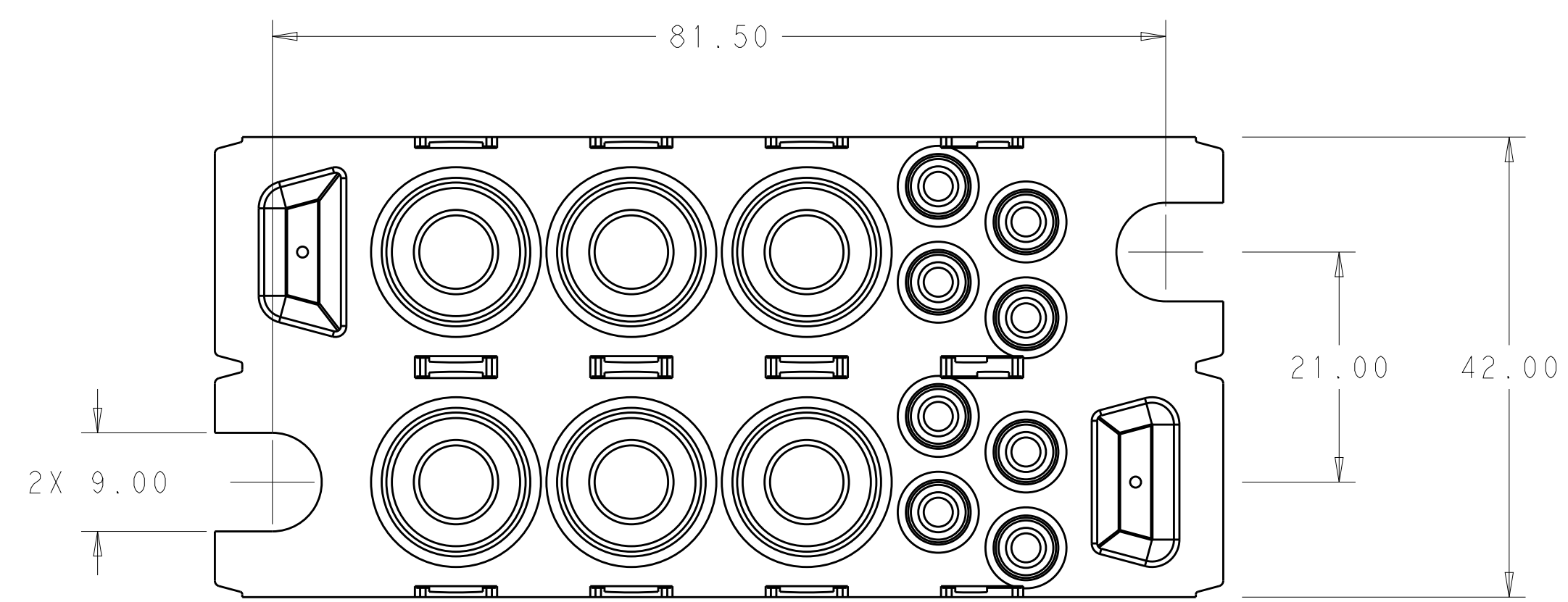
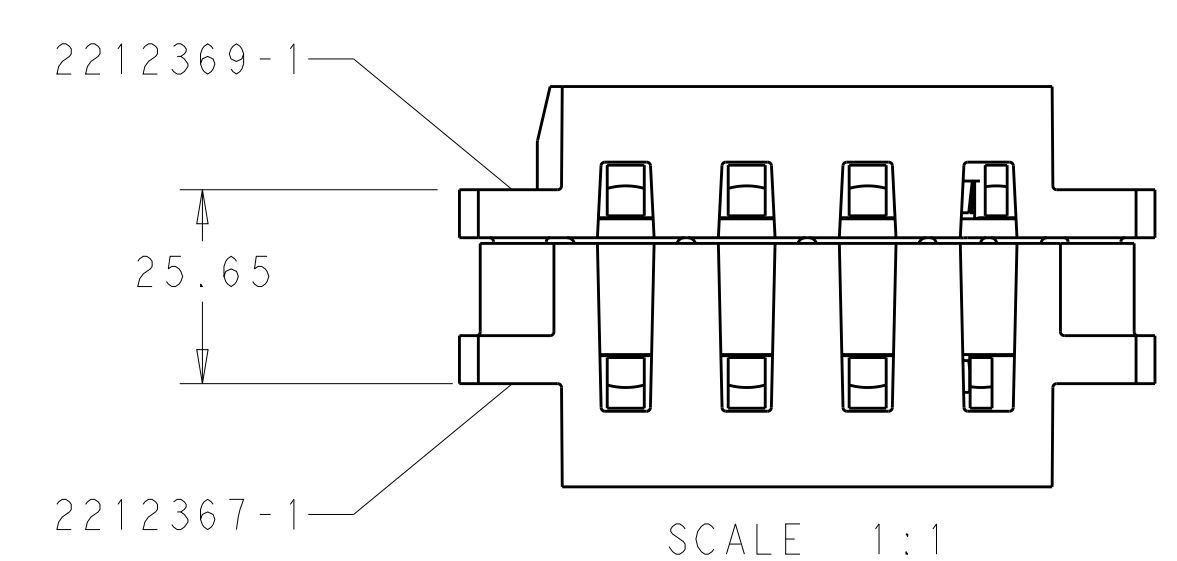
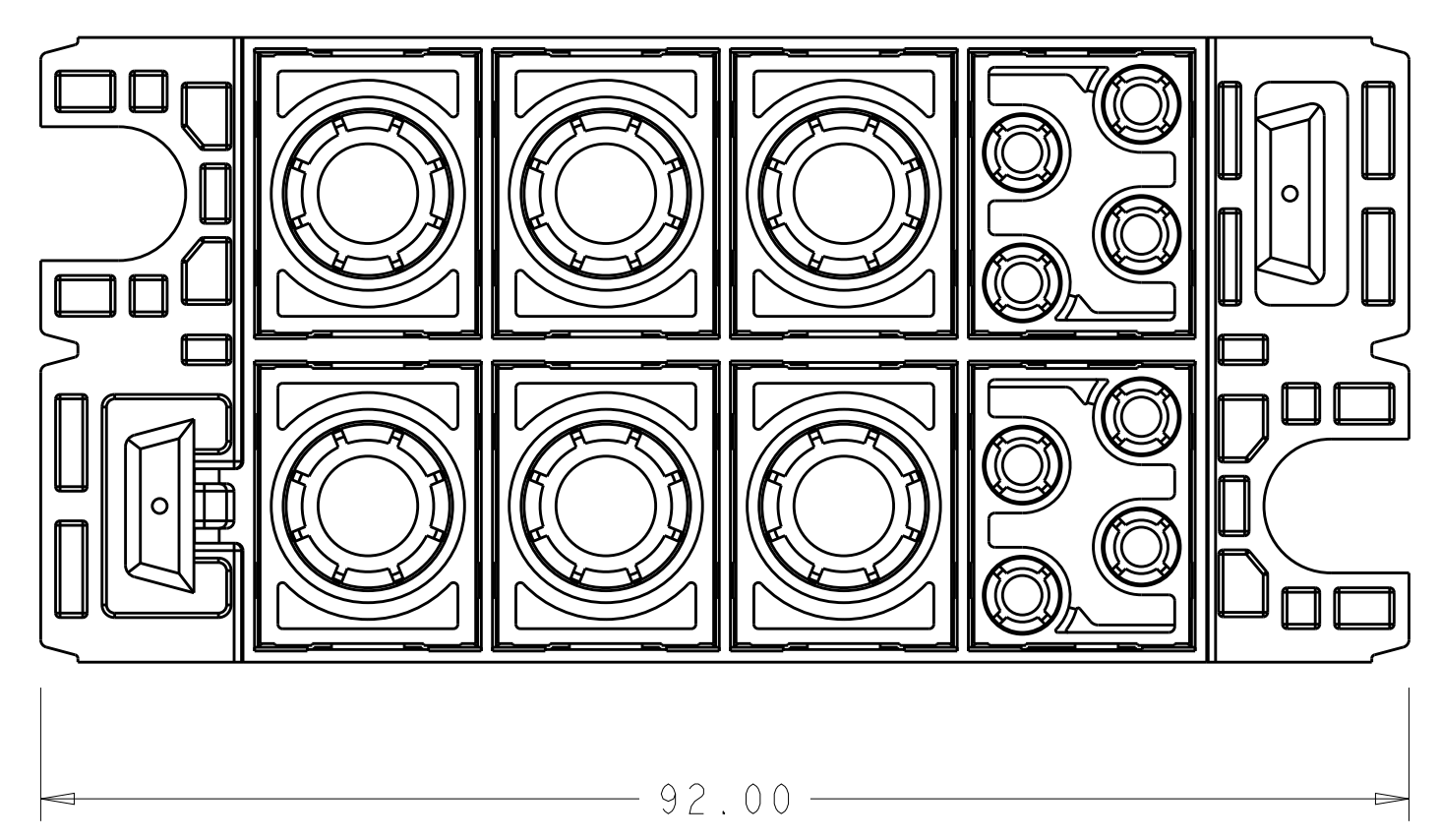
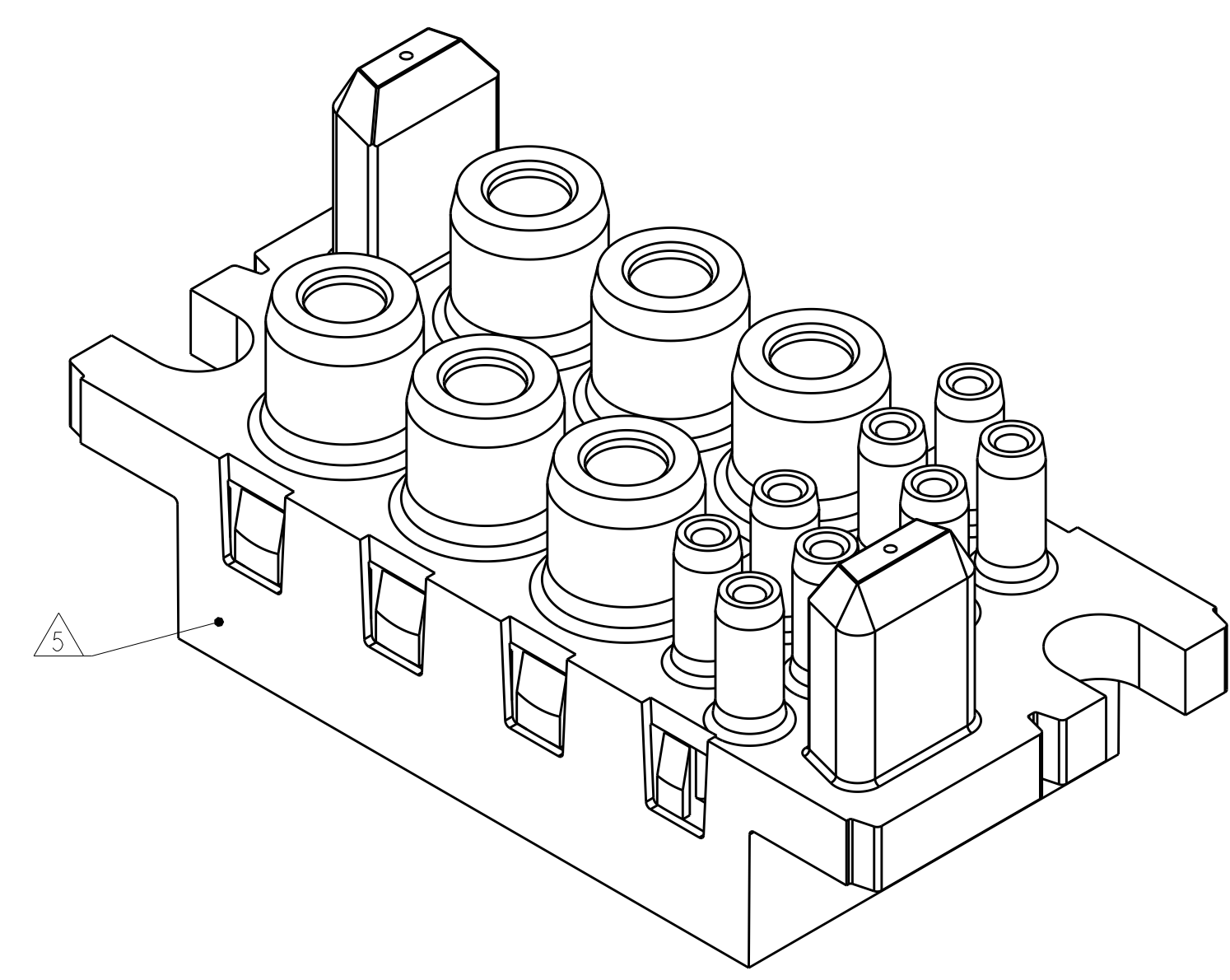
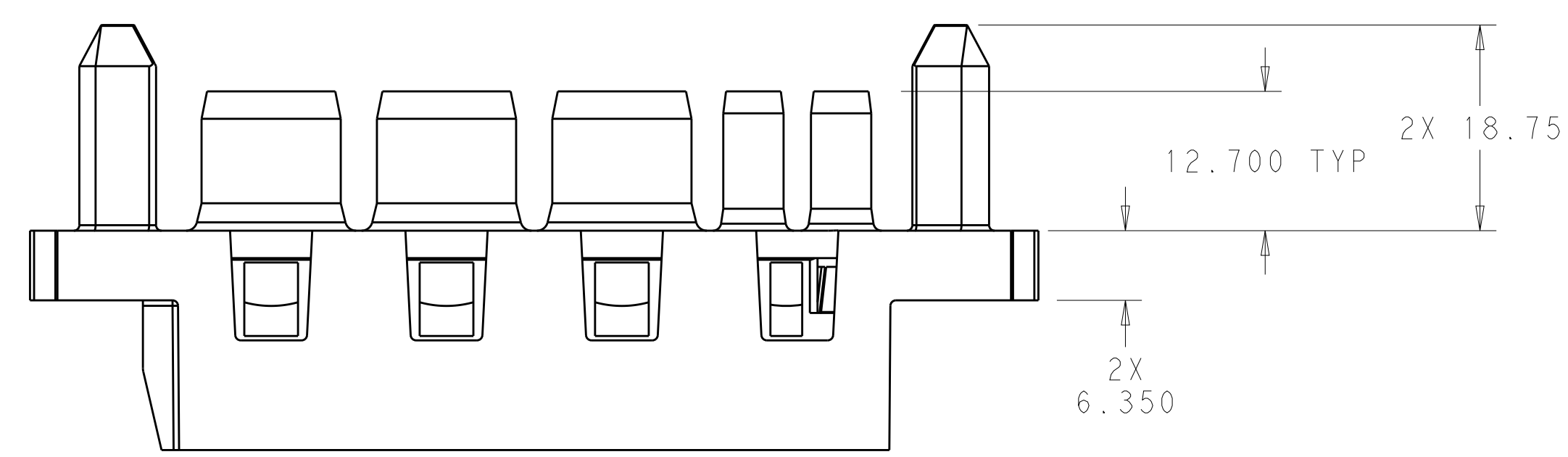
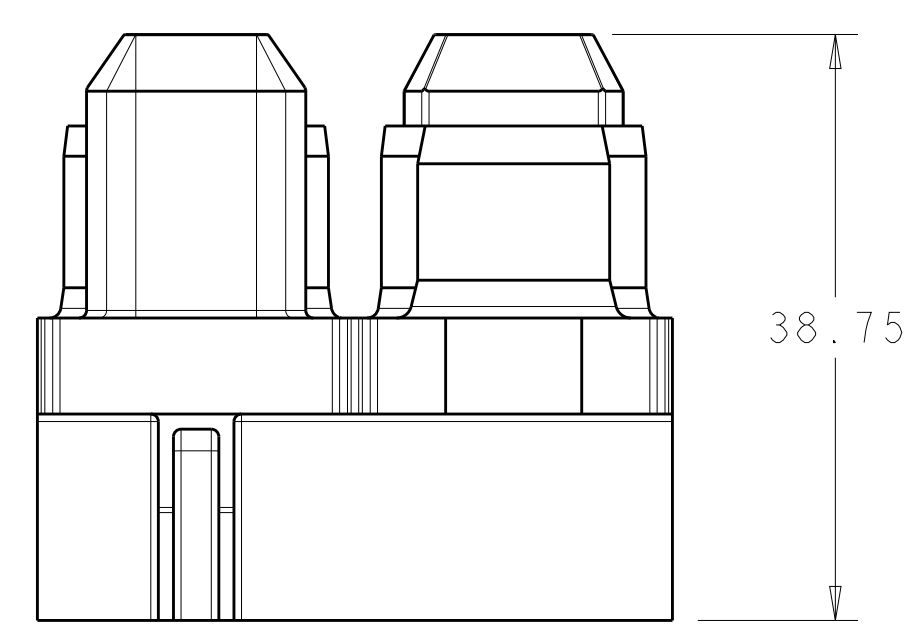


LOC		DIST		REVISIONS			
		P	LTN	DESCRIPTION	DATE	DWN	APVD
		1		PROPOSED	06FEB2015	RT	EW



- △ HOUSING: THERMOPLASTIC, COLOR BLACK, FLAMMABILITY RATING UL 94 V-0.
- △ THIS ASSEMBLY TO MATE WITH TEC PART NUMBER 2212367-1.
- 3. RECOMMENDED SHOULDER SCREW:
 2212056, FLOAT MOUNT
 2212055, FIXED MOUNT
- △ RECOMMENDED PANEL CUTOUT FOR FRONT PANEL MOUNT APPLICATION.
 RECOMMENDED PANEL THICKNESS 1.5 TO 1.78.
- △ DATE CODE AND PART NUMBER IN APPROXIMATE AREA SHOWN.



SCALE 1:1
 FULLY MATED ASSEMBLIES △

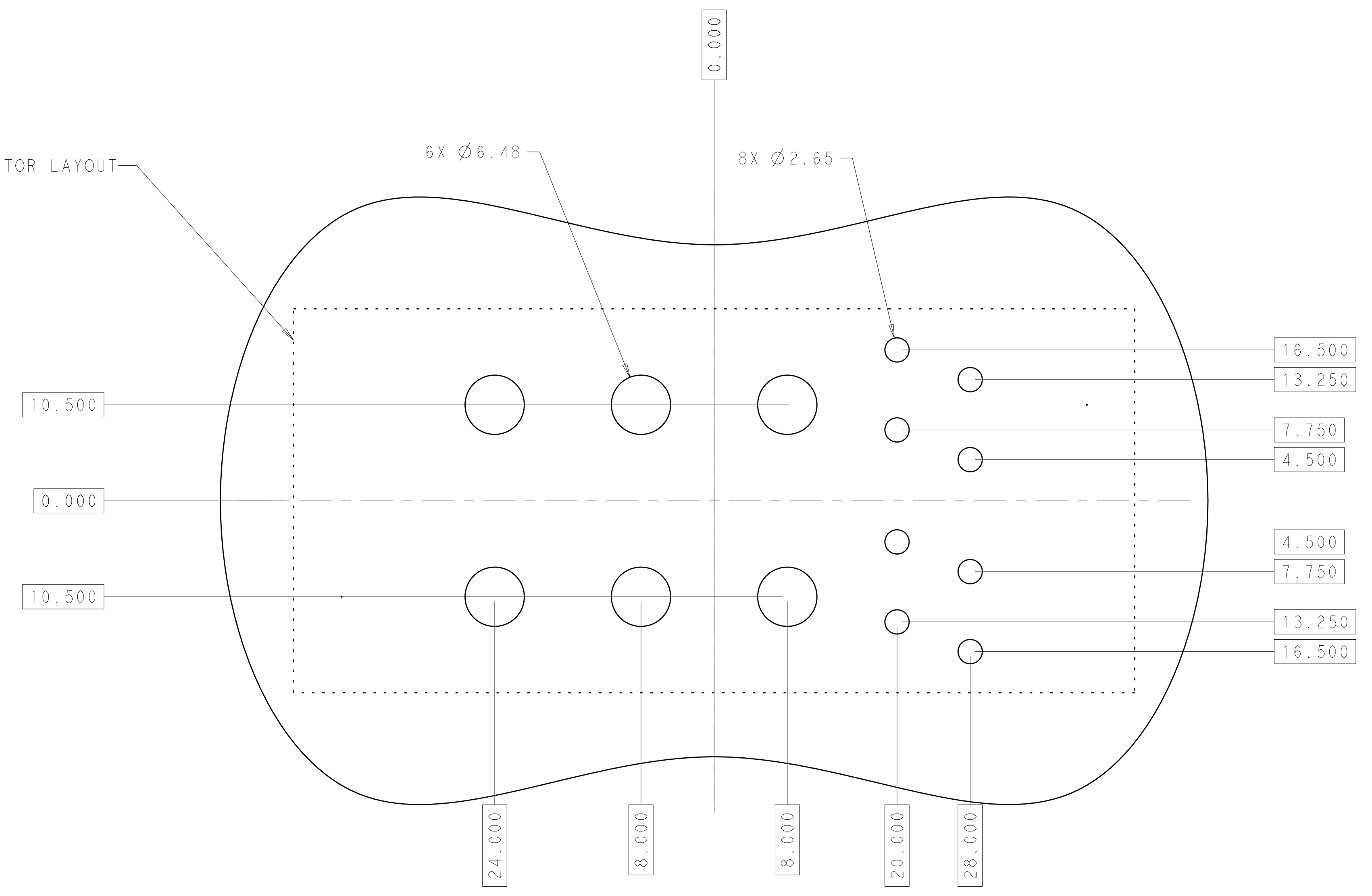
CONNECTOR, SOCKET, FORGE 0x#0,6x#4,0x#8,2x#12,0x#22,	2212369-1
DESCRIPTION	PART NO.

THIS PRINT IS
PRELIMINARY
 UNQUALIFIED PRODUCT
 CONTACT PRODUCT ENGINEERING
 BEFORE USING THIS PRINT

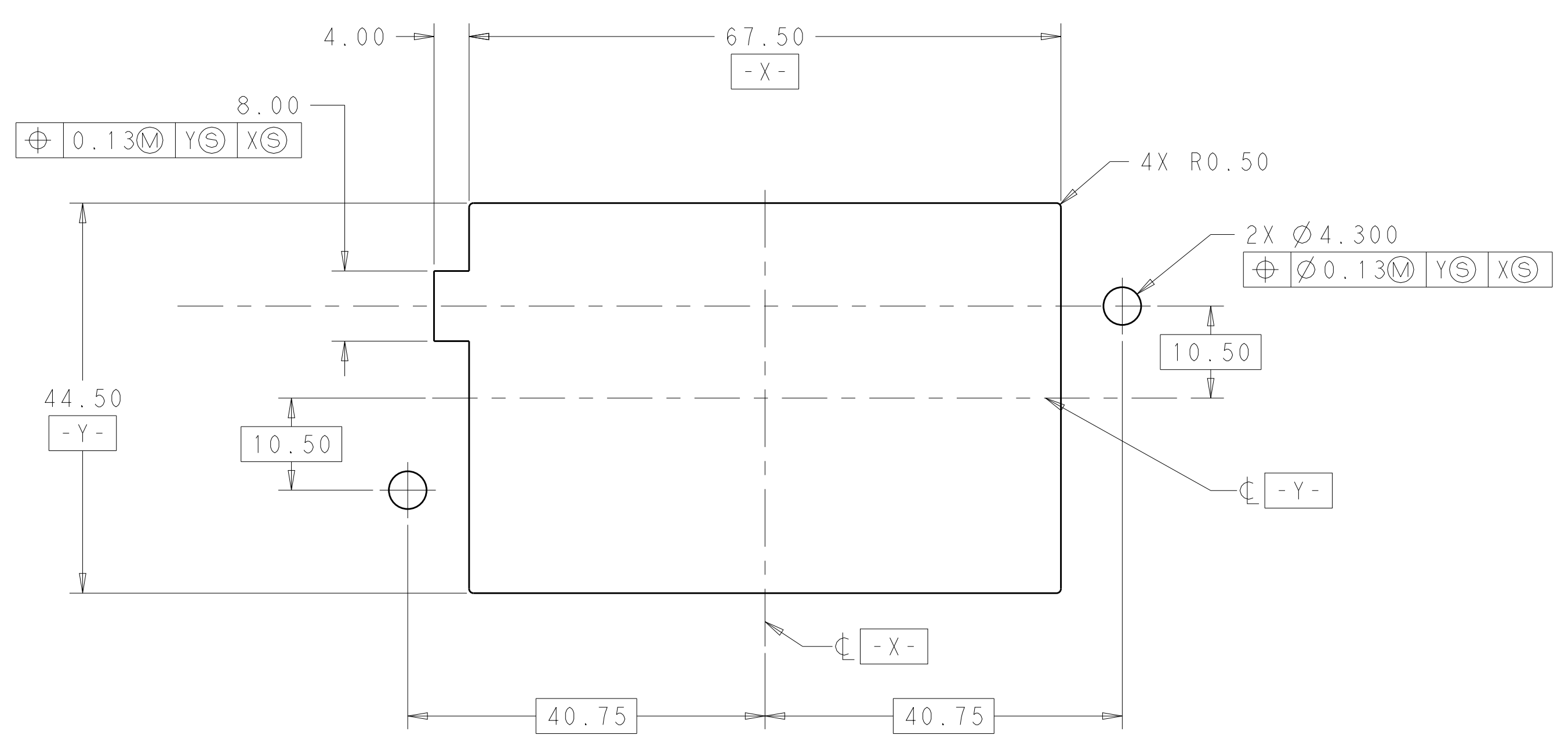
THIS DRAWING IS A CONTROLLED DOCUMENT.		DWN R. IREDA 06FEB2015	
DIMENSIONS: mm		CHK E. WICKES 06FEB2015	
TOLERANCES UNLESS OTHERWISE SPECIFIED:		APVD D. ORRIS 06FEB2015	NAME
0 PLC ±N/A		PRODUCT SPEC	CONNECTOR, SOCKET, FORGE
1 PLC ±N/A		108-2323	0x#0,6x#4,0x#8,2x#12,0x#22
2 PLC ±0.25		APPLICATION SPEC	CONFIGURATION
3 PLC ±0.13		114-13299	SIZE
4 PLC ±N/A		WEIGHT	A100779C=2212369
ANGLES ±N/A		FINISH	RESTRICTED TO
MATERIAL		Customer Drawing	SCALE 2:1 SHEET 1 OF 2 REV 1

LOC		DIST		REVISIONS			
				DESCRIPTION	DATE	DMN	APVD
-	-	-	-	SEE SHEET 1	-	-	-

CONNECTOR LAYOUT



PCB LAYOUT
SCALE 3:1



RECOMMENDED PANEL CUTOUT \triangle
SCALE 2:1

THIS DRAWING IS A CONTROLLED DOCUMENT.		DMN R. IREDA 06FEB2015	 TE Connectivity
DIMENSIONS:		CHK E. WICKES 06FEB2015	
mm	TOLERANCES UNLESS OTHERWISE SPECIFIED:	APVD D. ORRIS 06FEB2015	NAME CONNECTOR, SOCKET, FORGE
0 PLC $\pm N/A$	1 PLC $\pm N/A$	PRODUCT SPEC	0x#0, 6x#4, 0x#8, 2x#12, 0x#22
2 PLC ± 0.25	3 PLC ± 0.25	APPLICATION SPEC	CONFIGURATION
4 PLC ± 0.13	ANGLES $\pm N/A$	114-13299	SIZE A1
MATERIAL	FINISH	WEIGHT	CAGE CODE 100779
			DRAWING NO C=2212369
		Customer Drawing	RESTRICTED TO
		SCALE 2:1	SHEET 2 OF 2
			REV 1

X-ON Electronics

Largest Supplier of Electrical and Electronic Components

Click to view similar products for [Heavy Duty Power Connectors](#) category:

Click to view products by [TE Connectivity](#) manufacturer:

Other Similar products are found below :

[647757-1](#) [6643411-1](#) [6646058-2](#) [6646137-1](#) [6646138-1](#) [6646479-1](#) [6646608-1](#) [6646786-1](#) [6646940-1](#) [6651091-1](#) [6651525-1](#) [6651529-1](#)
[6651788-1](#) [696475-1](#) [702-32-01109](#) [703-25-02205](#) [73000005059](#) [73000005642](#) [73080255059](#) [73080965046](#) [765-15-0080A](#) [765-16-0080B](#)
[765-18-0080D](#) [829992-1](#) [902-77-02113](#) [PS00/A0620/6300](#) [PS25/A0420/63](#) [129-1J](#) [1409400](#) [AN0024023](#) [E6374G1](#) [e6389g2](#) [157-43GW8](#)
[MS3117-14AC](#) [1643543-1](#) [1650540-1](#) [1651811-2](#) [1766260-1](#) [1766282-1](#) [1766966-1](#) [1791340000](#) [NLDFT-3-BL-L-S120-M40A](#) [NLDFT-N-](#)
[W-L-C240-M40B](#) [NLS-2-R-C240-M40B](#) [NLS-N-W-C240-M40B](#) [NPS-3-BL-T6](#) [1986615-1](#) [2-1589900-8](#) [2199314-1](#) [KA8102](#)