

THIS DRAWING IS UNPUBLISHED. RELEASED FOR PUBLICATION

© COPYRIGHT - BY TYCO ELECTRONICS CORPORATION. ALL RIGHTS RESERVED.

LOC H DIST -

REVISIONS

P	LTR	DESCRIPTION	DATE	DWN	APVD
C		REVISED PER ECR-14-000978	22JAN2014	AB	OL
D		REVISED PER ECR-14-008991	21JUL2014	PP	OL
D1		REVISED PER ECR-14-012391	18AUG2014	FD	OL
D2		REVISED PER ECR-18-007237	17MAY2018	SR	DD

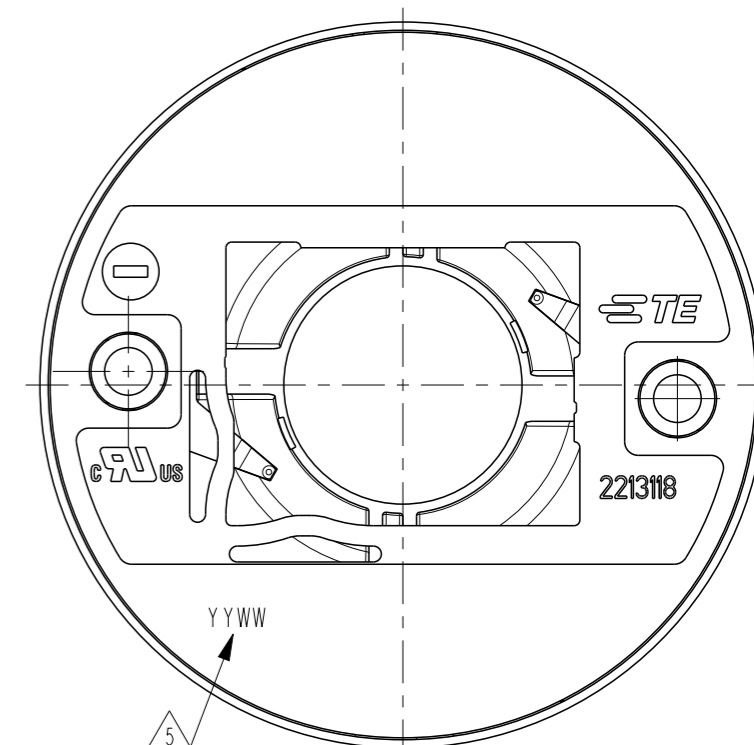
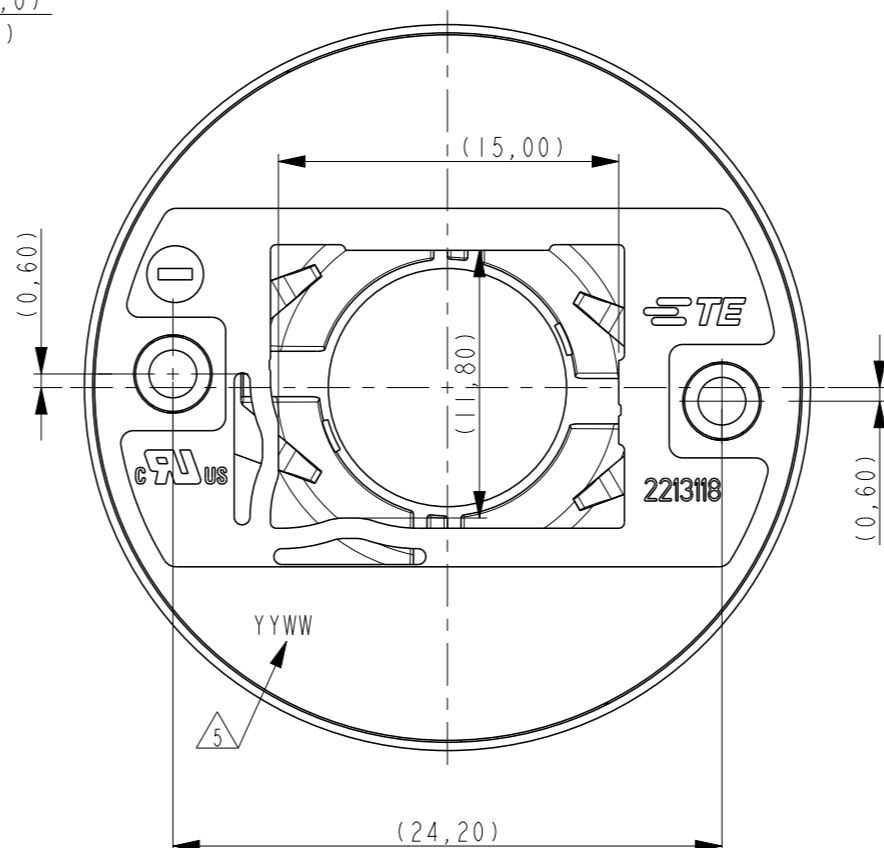
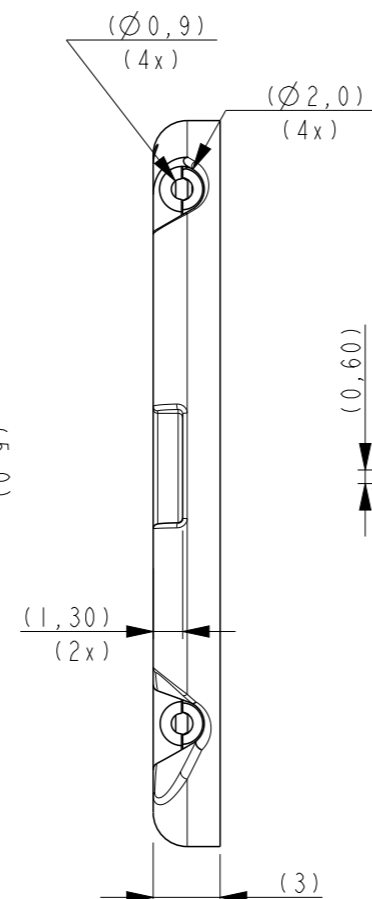
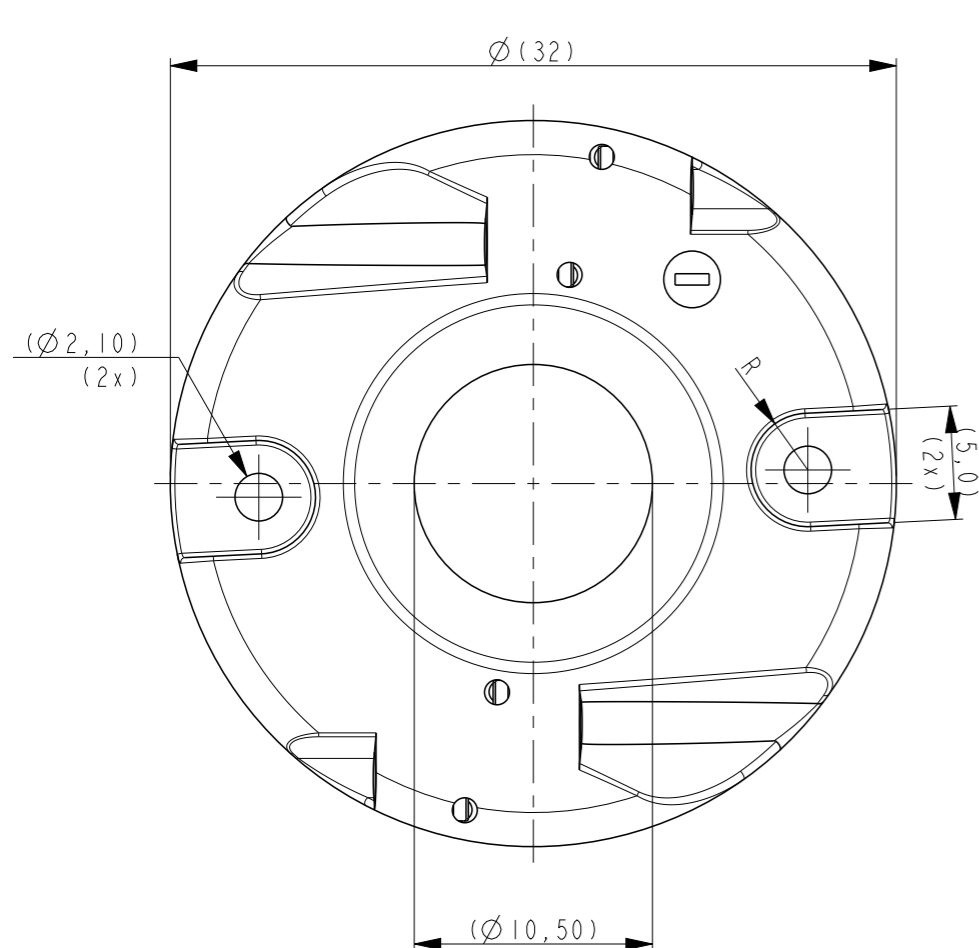
NOTES:

- MATERIALS:
- BASE & COVER: PBT,
COLOR: NATURAL,
- CONTACTS: COPPER ALLOY.
- FOR SOLID AND STRANDED WIRE AWG 22 - 20 USE.
- COMPLIES WITH DIRECTIVE 2002/95/EC (ROHS).
- SREWS TO BE USED: M2x6.

△ YEAR/WEEK CODING

P/N 2213118-1
2 PARALLEL CONTACT BEAM VERSION

P/N 2213118-2
SINGLE CONTACT BEAM VERSION



THIS DRAWING IS A CONTROLLED DOCUMENT.		DWN P. POORTER 19JUL2012	TE Connectivity	
DIMENSIONS: mm		CHK O. LEIJNSE 19JUL2012		
TOLERANCES UNLESS OTHERWISE SPECIFIED:		APVD O. LEIJNSE 19JUL2012	NAME LUMAWISE LED HOLDER Z32 LOW PROFILE 1215	
0 PLC ±- 1 PLC ±- 2 PLC ±- 3 PLC ±- 4 PLC ±- ANGLES ±-		PRODUCT SPEC 108-133006	SIZE A3	
MATERIAL - FINISH -		APPLICATION SPEC 114-32045	CAGE CODE 00779	DRAWING NO C-2213118
		WEIGHT -	RESTRICTED TO -	
		Customer Drawing	SCALE 3:1	SHEET 1 OF 2 REV D2

THIS DRAWING IS UNPUBLISHED.

RELEASED FOR PUBLICATION

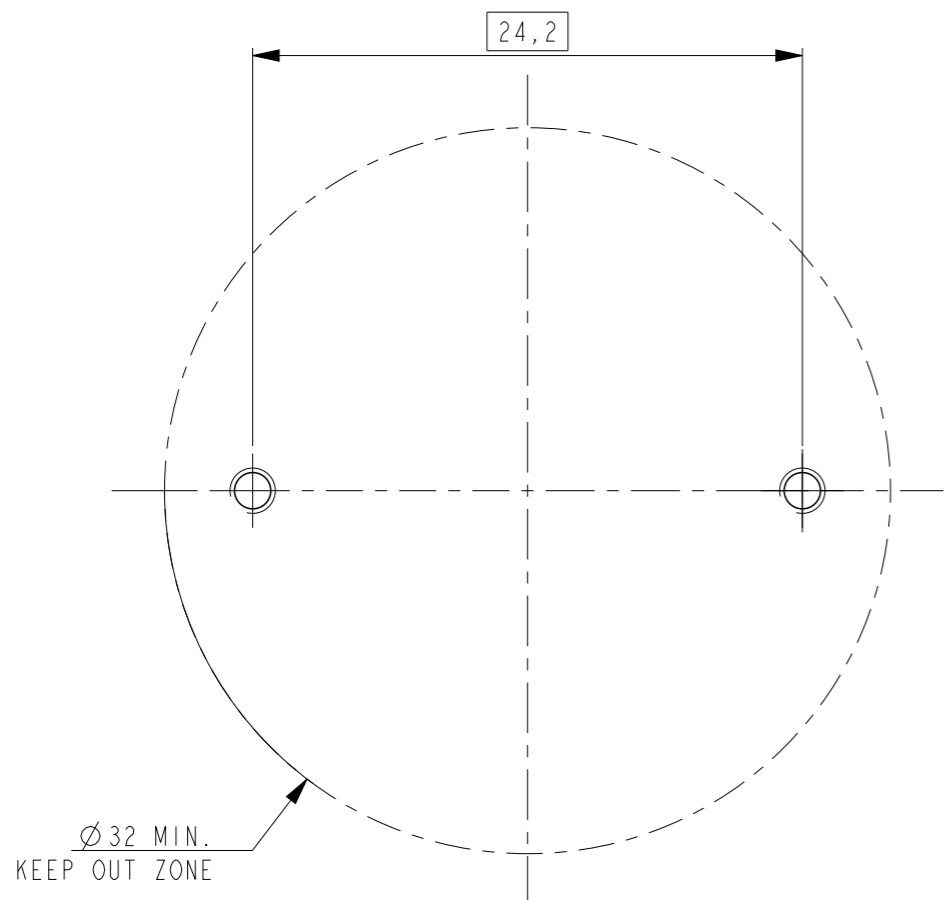
© COPYRIGHT - BY TYCO ELECTRONICS CORPORATION. ALL RIGHTS RESERVED.

LOC H DIST -

REVISIONS

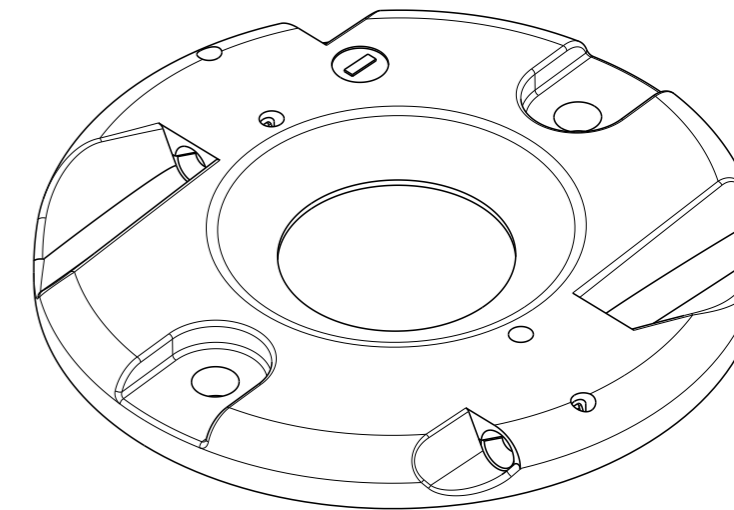
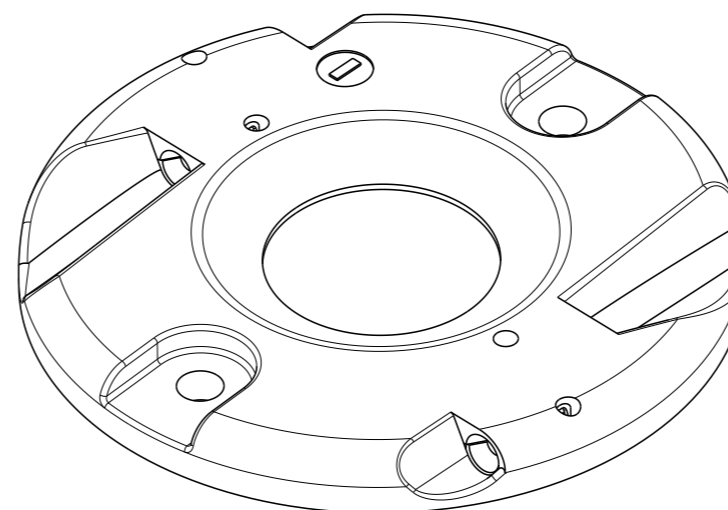
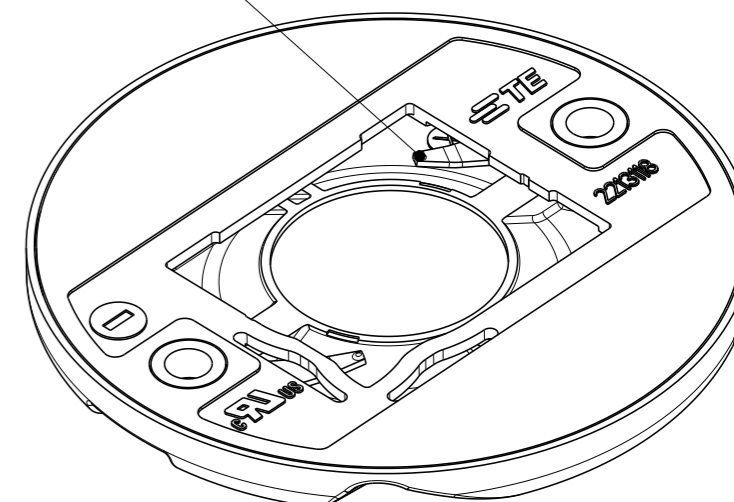
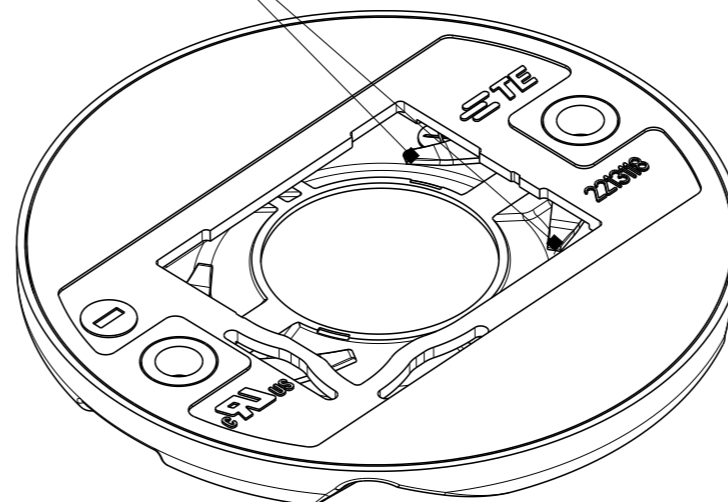
P	LTR	DESCRIPTION	DATE	DWN	APVD
	-	SEE SHEET 1	-	-	-

RECOMMENDED DRILLING HOLE PATTERN



P/N 2213118-1
2 paralel contacts

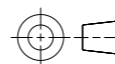
P/N 2213118-2
single contact



RELEASED LEDs		
NAME	TYPE	TE PART NUMBER
LUMILEDS	1215	2213118-2
SHARP	MINI ZENIGATA	2213118-1

THIS DRAWING IS A CONTROLLED DOCUMENT.

DIMENSIONS:
mm



TOLERANCES UNLESS OTHERWISE SPECIFIED:

0 PLC	±-
1 PLC	±-
2 PLC	±-
3 PLC	±-
4 PLC	±-
ANGLES	±-
FINISH	-

MATERIAL -

DWN P. POORTER 19JUL2012
 CHK O. LEIJNSE 19JUL2012
 APVD O. LEIJNSE 19JUL2012
 PRODUCT SPEC 108-133006
 APPLICATION SPEC 114-32045
 WEIGHT -

Customer Drawing



NAME
LUMAWISE LED HOLDER Z32
LOW PROFILE 1215

SIZE A3	CAGE CODE 00779	DRAWING NO C-2213118	RESTRICTED TO -
---------	-----------------	----------------------	-----------------

SCALE 3:1 SHEET 2 OF 2 REV D2

X-ON Electronics

Largest Supplier of Electrical and Electronic Components

Click to view similar products for [LED Lighting Mounting Accessories](#) category:

Click to view products by [TE Connectivity](#) manufacturer:

Other Similar products are found below :

[C16142_HEKLA-SOCKET-K](#) [3SU1401-1BG20-1AA0](#) [3SU1900-0BC31-0NB0](#) [ES16-RT](#) [1SFA616921R2042](#) [1SFA616921R2131](#)
[1SFA616921R2133](#) [1SFA616921R2143](#) [1SFA611621R1093](#) [B8910020](#) [D3980022](#) [E3990022](#) [E3990040](#) [CABI12 E BK 1M SET PRM](#)
[FLAT8 H/U BK 1M SET PRM](#) [BEGTIN12 J/S BK 1M SET PRM](#) [1-2213678-6](#) [C16791_CLAMP-Z45-A](#) [F17250_SOLDER-CLIP-A](#) [CM22-](#)
[4-20MA](#) [CM22-R10K-MT](#) [CM22-R1K](#) [CM22-R50K](#) [CM22-R5K-MT](#) [CM22-SLR](#) [10465](#) [M22-A](#) [M22-CK11](#) [M22-CK20](#) [M22G-XGPV](#)
[M22-K01](#) [M22-LCH-W](#) [M22-LC-R](#) [M22-LED230-R](#) [M22-LED230-W](#) [M22-LEDC230-G](#) [M22-LEDC-G](#) [M22-LEDC-W](#) [M22-LED-G](#)
[M22-LED-W](#) [M22-L-G](#) [M22-LH-G](#) [M22-LH-R](#) [M22-LH-W](#) [M22-L-R](#) [M22-L-W](#) [M22-L-X](#) [M22-R10K](#) [M22-R1K](#) [M22-R470K](#)