

THIS DRAWING IS UNPUBLISHED. RELEASED FOR PUBLICATION

© COPYRIGHT - BY TYCO ELECTRONICS CORPORATION. ALL RIGHTS RESERVED.

LOC	DIST	REVISIONS			
P	LTR	DESCRIPTION	DATE	DWN	APVD
H	-				
	C	REVISED PER ECR-14-000978	22JAN2014	AB	OL
	D	REVISED PER ECR-14-008991	21JUL2014	PP	OL
	D1	REVISED PER ECR-14-012391	18AUG2014	FD	OL
	D2	REVISED PER ECR-18-007237	17MAY2018	SR	DD

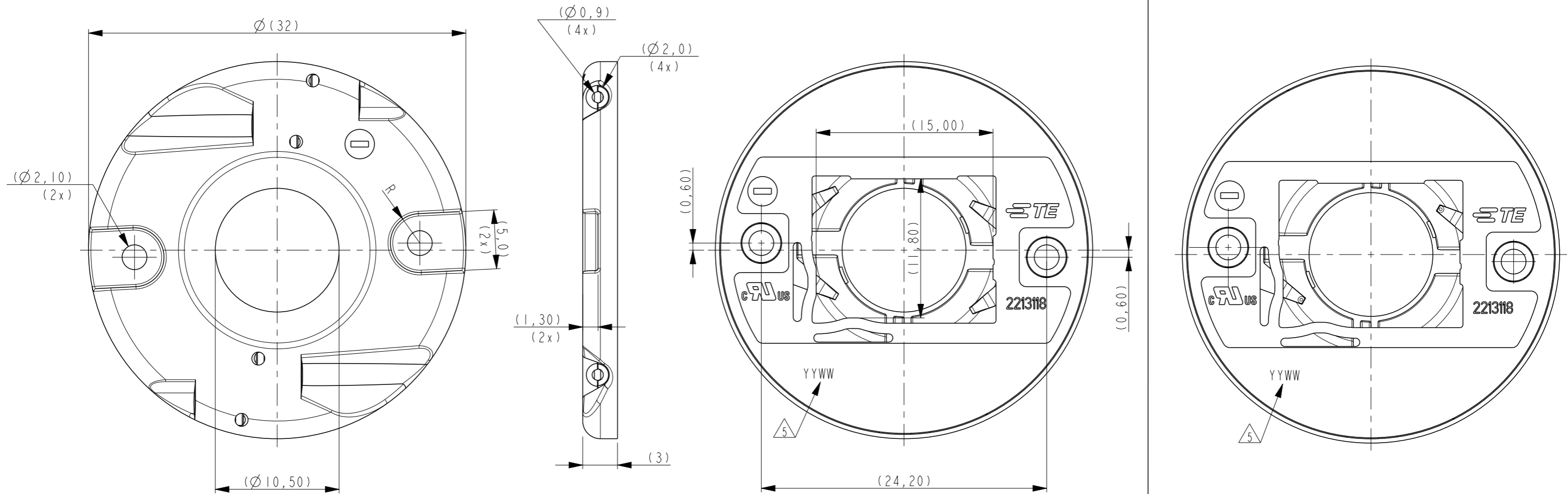
NOTES:

- MATERIALS:
  - BASE & COVER: PBT,
  - COLOR: NATURAL,
  - CONTACTS: COPPER ALLOY.
- FOR SOLID AND STRANDED WIRE AWG 22 - 20 USE.
- COMPLIES WITH DIRECTIVE 2002/95/EC (ROHS).
- SREWS TO BE USED: M2x6.

△ YEAR/WEEK CODING

P/N 2213118-1  
2 PARALLEL CONTACT BEAM VERSION

P/N 2213118-2  
SINGLE CONTACT BEAM VERSION



THIS DRAWING IS A CONTROLLED DOCUMENT.		DWN P. POORTER 19JUL2012	TE Connectivity NAME LUMAWISE LED HOLDER Z32 LOW PROFILE 1215	
DIMENSIONS: mm		CHK O. LEIJNSE 19JUL2012		
TOLERANCES UNLESS OTHERWISE SPECIFIED:		APVD O. LEIJNSE 19JUL2012		
0 PLC ±- 1 PLC ±- 2 PLC ±- 3 PLC ±- 4 PLC ±- ANGLES ±-		PRODUCT SPEC 108-133006		
MATERIAL -		FINISH -	APPLICATION SPEC 114-32045	SIZE A3
			WEIGHT -	CAGE CODE 00779
			Customer Drawing	DRAWING NO C-2213118
				RESTRICTED TO -
				SCALE 3:1
				SHEET 1 OF 2
				REV D2

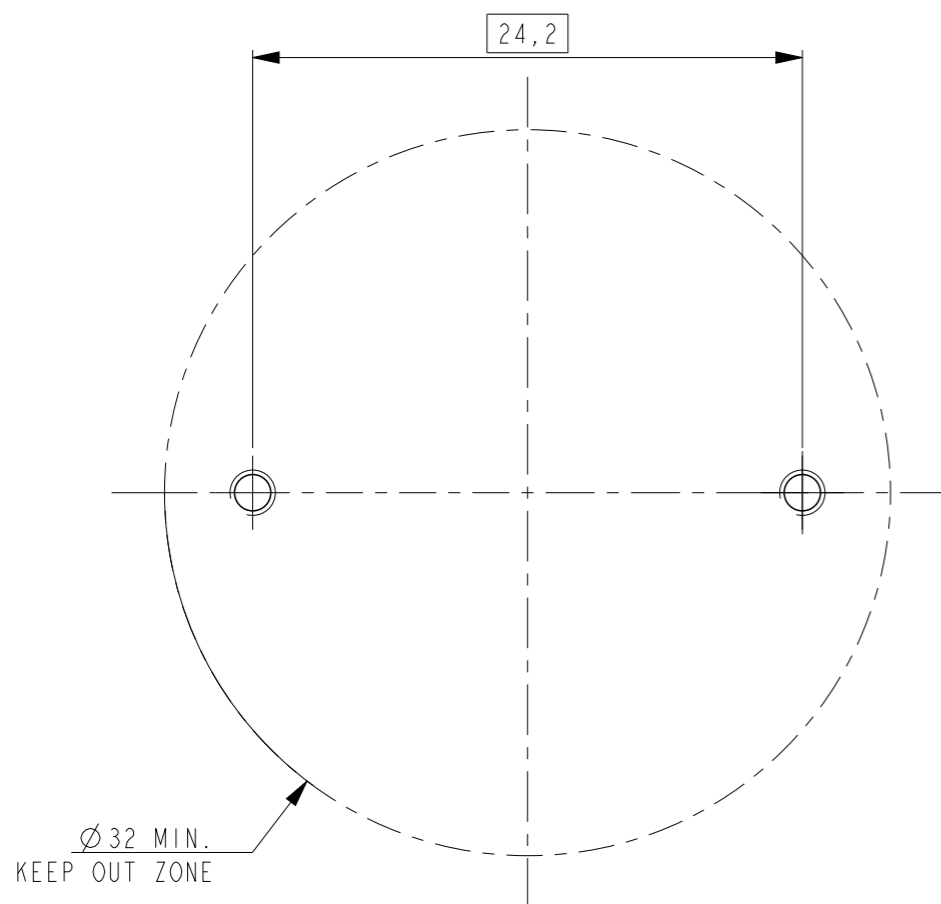
THIS DRAWING IS UNPUBLISHED.

RELEASED FOR PUBLICATION

© COPYRIGHT - BY TYCO ELECTRONICS CORPORATION. ALL RIGHTS RESERVED.

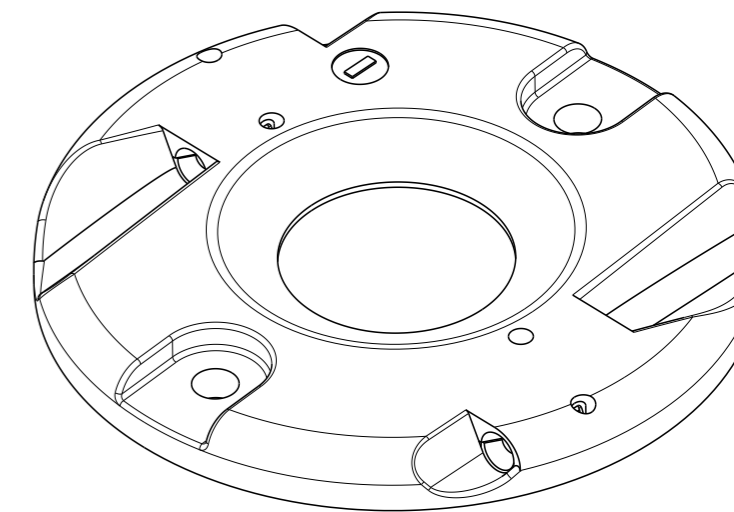
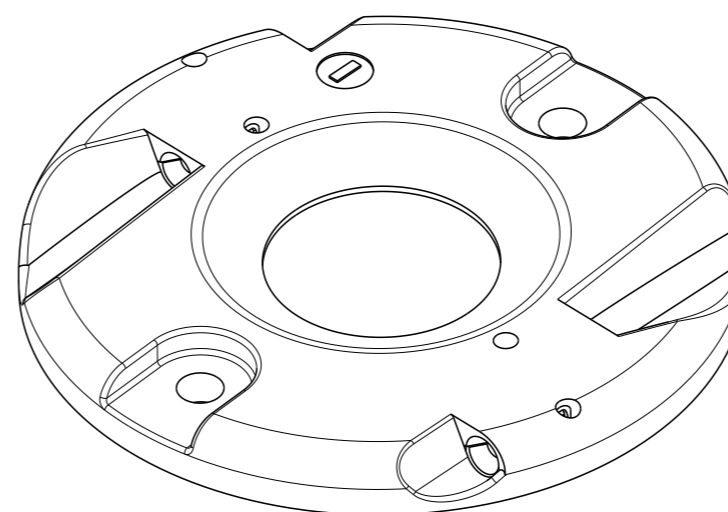
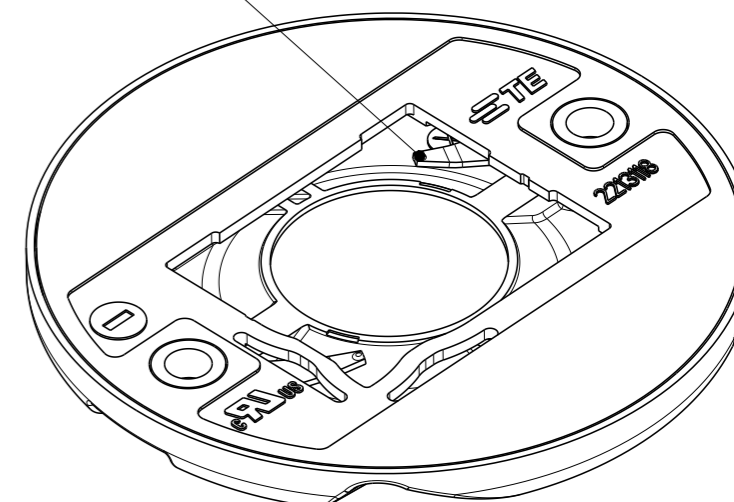
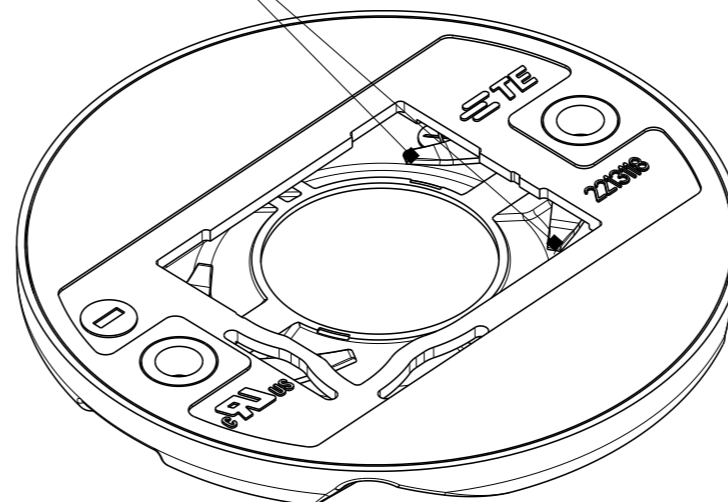
LOC	DIST	REVISIONS			
P	LTR	DESCRIPTION	DATE	DWN	APVD
H	-	SEE SHEET 1	-	-	-

### RECOMMENDED DRILLING HOLE PATTERN




P/N 2213118-1  
2 paralel contacts

P/N 2213118-2  
single contact



RELEASED LEDs		
NAME	TYPE	TE PART NUMBER
LUMILEDS	1215	2213118-2
SHARP	MINI ZENIGATA	2213118-1

THIS DRAWING IS A CONTROLLED DOCUMENT.		DWN P. POORTER 19JUL2012	 TE Connectivity	NAME LUMAWISE LED HOLDER Z32 LOW PROFILE 1215	
DIMENSIONS: mm		CHK O. LEIJNSE 19JUL2012		PRODUCT SPEC 108-133006	
TOLERANCES UNLESS OTHERWISE SPECIFIED: 0 PLC ±- 1 PLC ±- 2 PLC ±- 3 PLC ±- 4 PLC ±- ANGLES ±- FINISH -		APVD O. LEIJNSE 19JUL2012		APPLICATION SPEC 114-32045	
MATERIAL -		PRODUCT SPEC 108-133006		WEIGHT -	
		Customer Drawing	SIZE A3	CAGE CODE 00779	DRAWING NO C-2213118
			RESTRICTED TO -	SCALE 3:1	SHEET 2 OF 2 REV D2

## X-ON Electronics

Largest Supplier of Electrical and Electronic Components

*Click to view similar products for [LED Lighting Mounting Accessories](#) category:*

*Click to view products by [TE Connectivity](#) manufacturer:*

Other Similar products are found below :

[C16142\\_HEKLA-SOCKET-K](#) [3SU1401-1BG20-1AA0](#) [3SU1900-0BC31-0NB0](#) [ES16-RT](#) [1SFA616921R2042](#) [1SFA616921R2131](#)  
[1SFA616921R2133](#) [1SFA616921R2143](#) [1SFA611621R1093](#) [B8910020](#) [D3980022](#) [E3990022](#) [E3990040](#) [CABI12 E BK 1M SET PRM](#)  
[FLAT8 H/U BK 1M SET PRM](#) [BEGTIN12 J/S BK 1M SET PRM](#) [1-2213678-6](#) [C16791\\_CLAMP-Z45-A](#) [F17250\\_SOLDER-CLIP-A](#) [CM22-](#)  
[4-20MA](#) [CM22-R10K-MT](#) [CM22-R1K](#) [CM22-R50K](#) [CM22-R5K-MT](#) [CM22-SLR](#) [10465](#) [M22-A](#) [M22-CK11](#) [M22-CK20](#) [M22G-XGPV](#)  
[M22-K01](#) [M22-LCH-W](#) [M22-LC-R](#) [M22-LED230-R](#) [M22-LED230-W](#) [M22-LEDC230-G](#) [M22-LEDC-G](#) [M22-LEDC-W](#) [M22-LED-G](#)  
[M22-LED-W](#) [M22-L-G](#) [M22-LH-G](#) [M22-LH-R](#) [M22-LH-W](#) [M22-L-R](#) [M22-L-W](#) [M22-L-X](#) [M22-R10K](#) [M22-R1K](#) [M22-R470K](#)