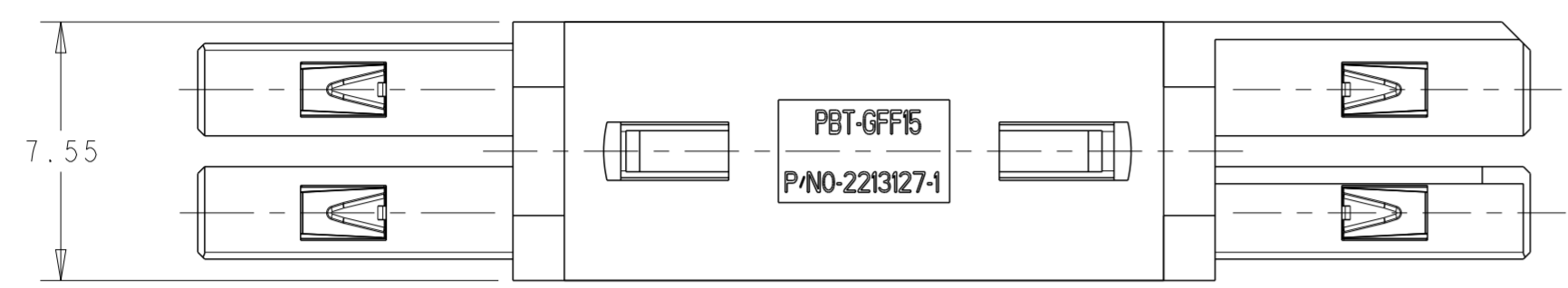


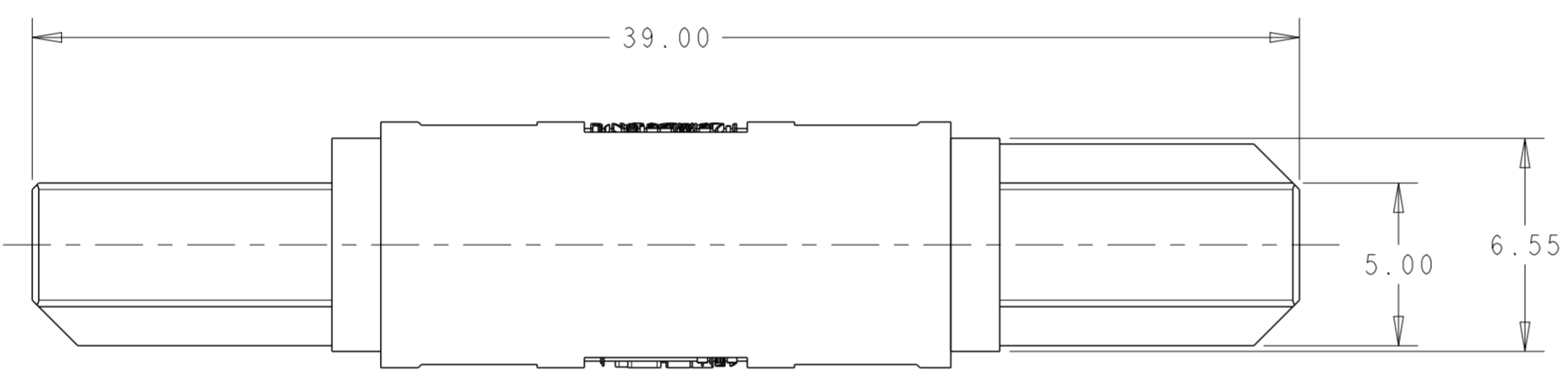
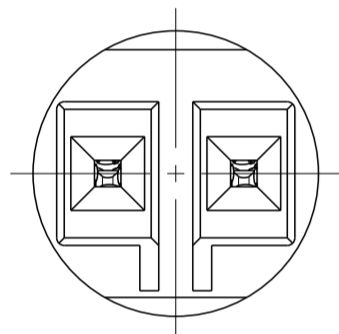
THIS DRAWING IS UNPUBLISHED. RELEASED FOR PUBLICATION 20
 © COPYRIGHT 20 BY - ALL RIGHTS RESERVED.

LOC		DIST		REVISIONS			
P	LTR	DESCRIPTION		DATE	DWN	APVD	
	A1	REVISED PER ECR-13-009328		03JUL2013	RS	DD	

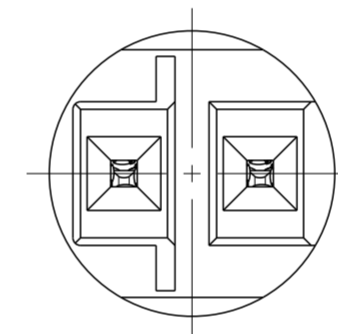


1 MATERIAL:
 CONNECTOR SYSTEM TUBE: PBT-GFF15
 COLOUR: WHITE
 PLUG HOUSING: PBT-GFF15
 COLOUR: WHITE
 RECEPTACLE CONTACT:
 CONTACT: CuNiSi
 SPRING: X10CrNi188
 SQUARE WIRE: CuSn6

POL. KEY HV-3

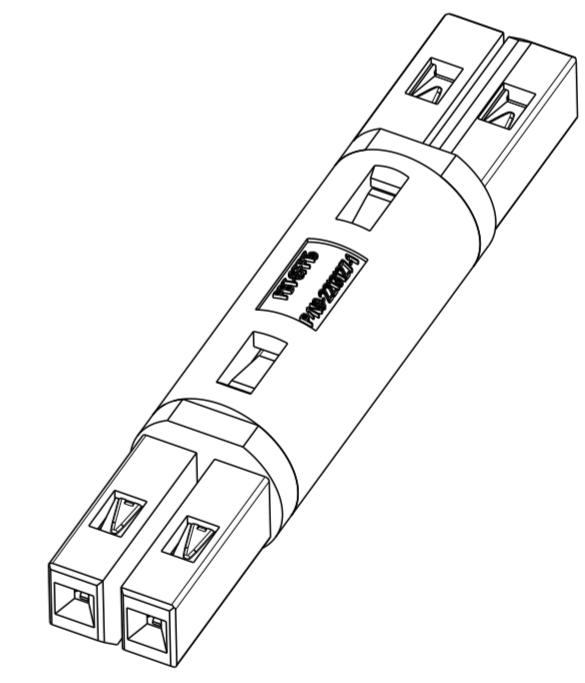
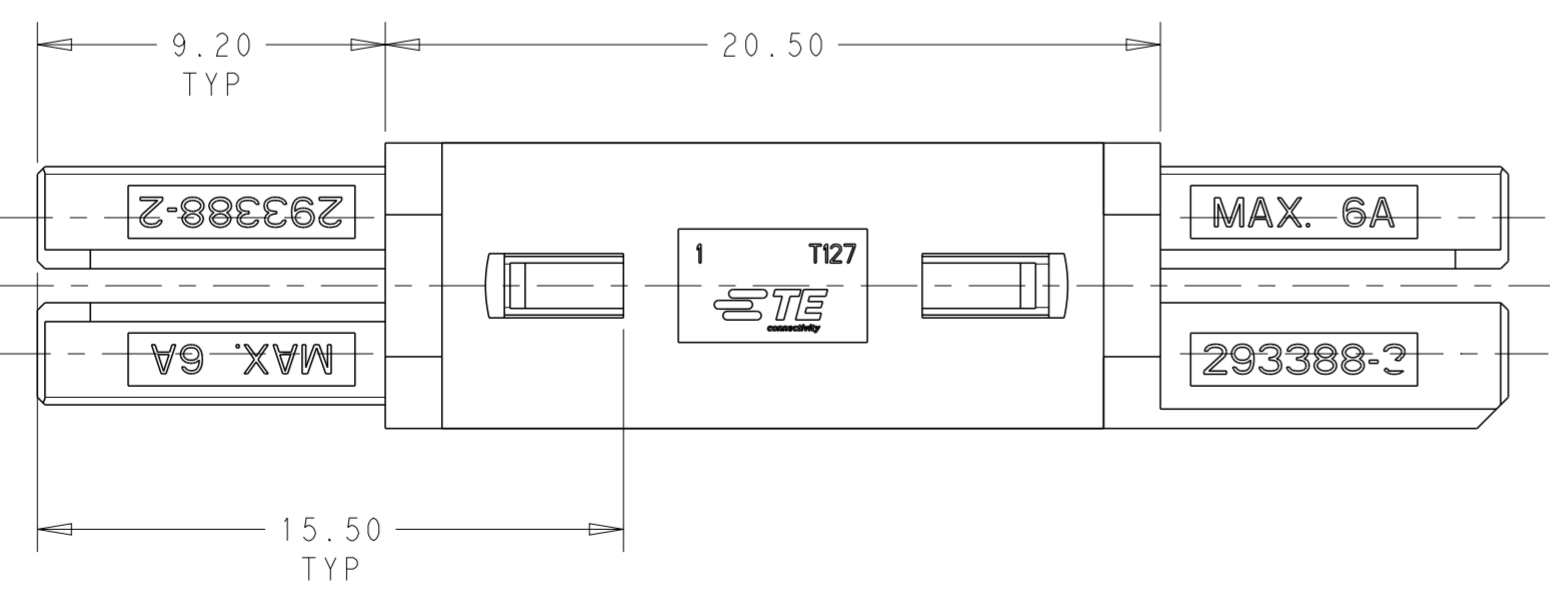


POL. KEY HV-4



2 FINISH:
 RECEPTACLE CONTACT:
 CONTACT: TIN
 SPRING: NONE
 SQUARE WIRE: TIN OVER NICKEL

3 OBSOLETE



3D VIEW
 SCALE 3:1

2213142-3 SHOWN

HV-3 & HV-4	2213142-3
LV-2	2213142-2
HV-3	2213142-1
POLARIZATION	PART NUMBER

THIS DRAWING IS A CONTROLLED DOCUMENT.		DWN RAVI.S 01AUG2012	TE Connectivity	
DIMENSIONS: mm		CHK D.DECKER 01AUG2012		
TOLERANCES UNLESS OTHERWISE SPECIFIED:		APVD D.DECKER 01AUG2012	NAME MALE-TO-MALE BRIDGE CONNECTOR	
0 PLC ±	1 PLC ±0.5	PRODUCT SPEC	-	
2 PLC ±0.13	3 PLC ±0.013	APPLICATION SPEC	-	
4 PLC ±0.0001	ANGLES ±	WEIGHT	-	
MATERIAL 1 -		FINISH 2 -	SIZE A2	CAGE CODE 00779
		Customer Drawing	DRAWING NO C-2213142	RESTRICTED TO -
		SCALE 5:1	SHEET 1 OF 1	REV A1

X-ON Electronics

Largest Supplier of Electrical and Electronic Components

Click to view similar products for [Lighting Connectors](#) category:

Click to view products by [TE Connectivity](#) manufacturer:

Other Similar products are found below :

[293300-7](#) [293660-5](#) [CNX_H03_NTP](#) [30-9767-BU](#) [3605](#) [3-21030-1](#) [ZCH-110-RGB-I](#) [503471-0290](#) [ZCH-110-RGB-J](#) [217-0716-200](#)
[1954563-1](#) [1-293657-2](#) [2834036-1](#) [2834037-1](#) [1-2213222-4](#) [2-2213222-4](#) [2213222-4](#) [2834122-3](#) [2834122-5](#) [2834135-2](#) [FLA-R4142-30](#)
[FLA-R4162-30](#) [FLA-R2142-30](#) [FLA-R2141-30](#) [FLA-R2162-30](#) [FLA-R2161-30](#) [FLA-R0161-30](#) [FLA-R0141-30](#) [FLA-R0142-30](#) [FLA-](#)
[R0162-30](#) [FLA-C00-00](#) [DGA00010553](#) [CNXV04NTP](#) [104128-0610](#) [503485-0000 \(Cut Strip\)](#) [503485-0000 \(Loose Piece\)](#) [503485-0000](#)
[\(MINI Reel\)](#) [1-2834074-2](#) [1-2834074-3](#) [1357-AC PLUG W2C \(CHINA\)](#) [1357-AC PLUG W2 \(USA\)](#) [104266-0110](#) [2106212-1](#) [2-2834074-2](#)
[104266-0210](#) [293470-1](#) [293651-2](#) [293651-4](#) [1-2834006-2](#) [293651-1](#)