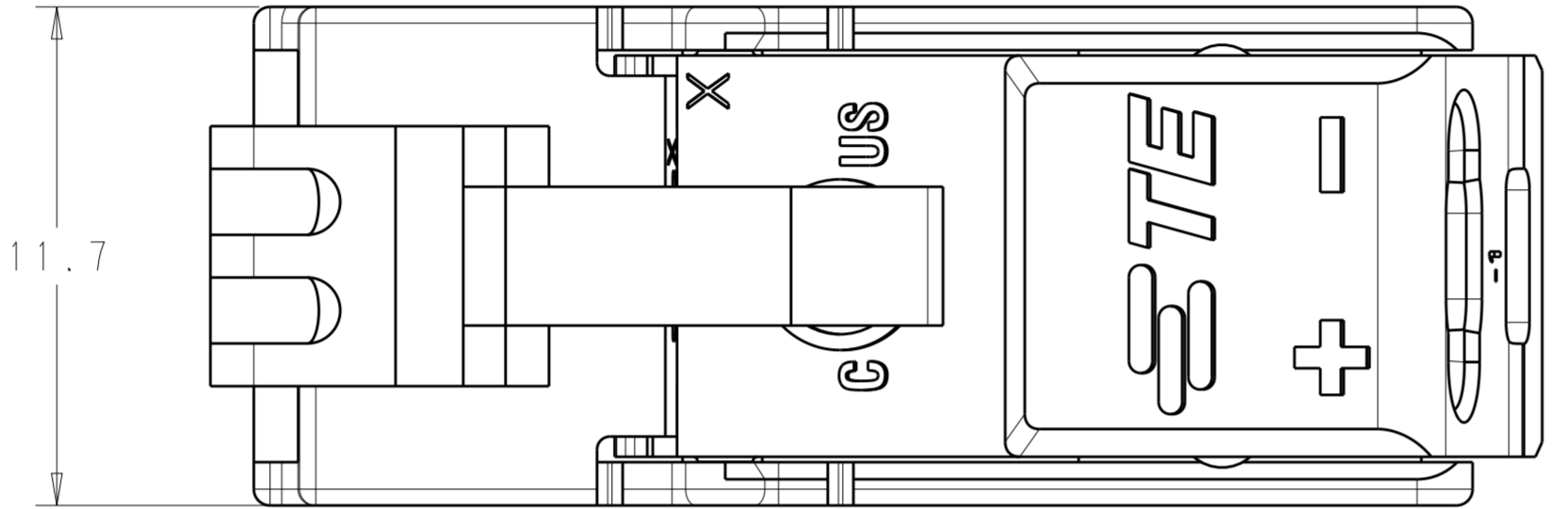
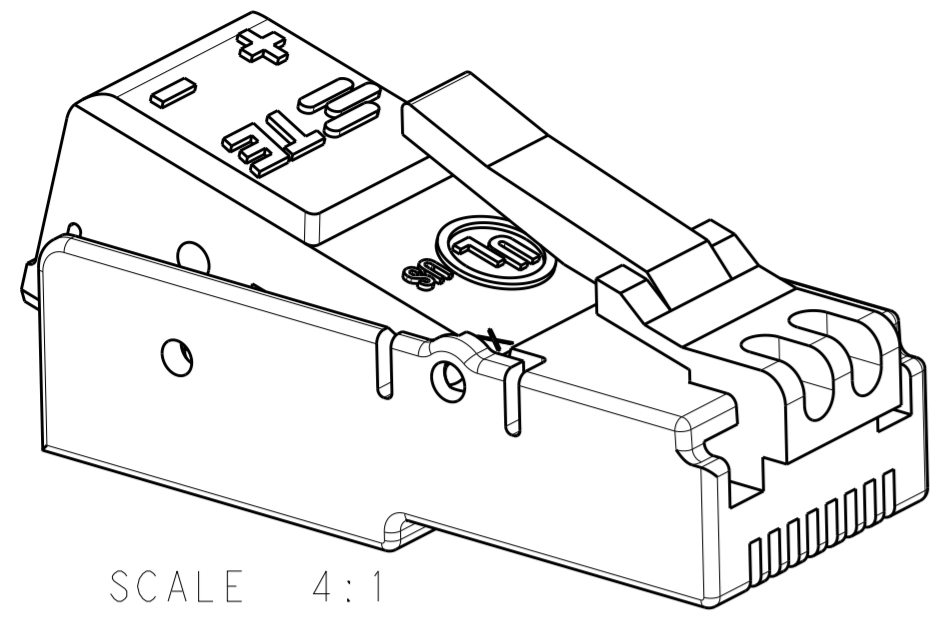
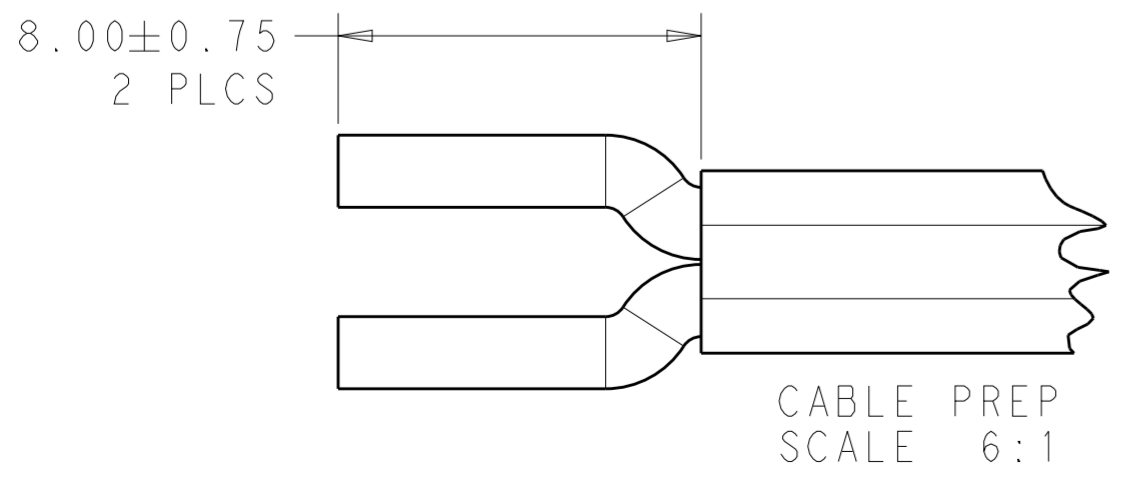
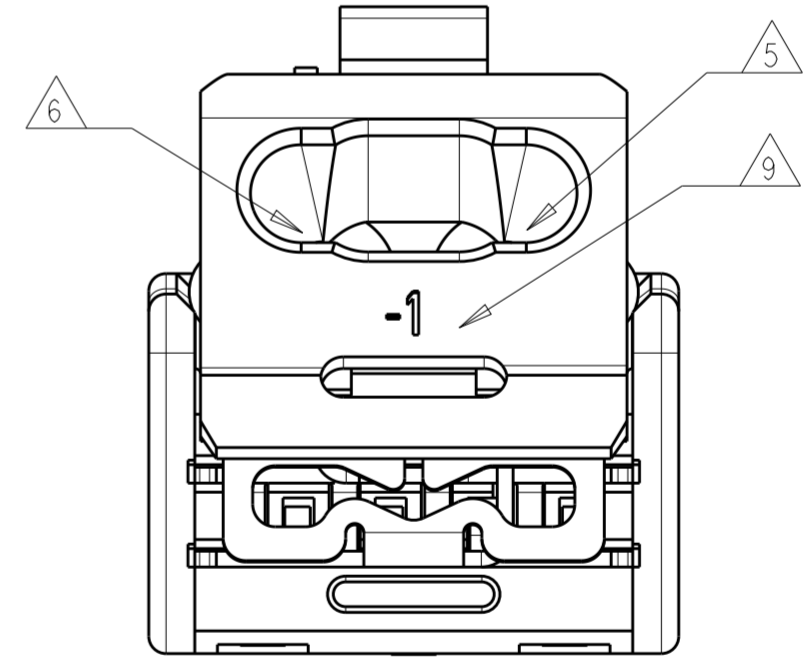
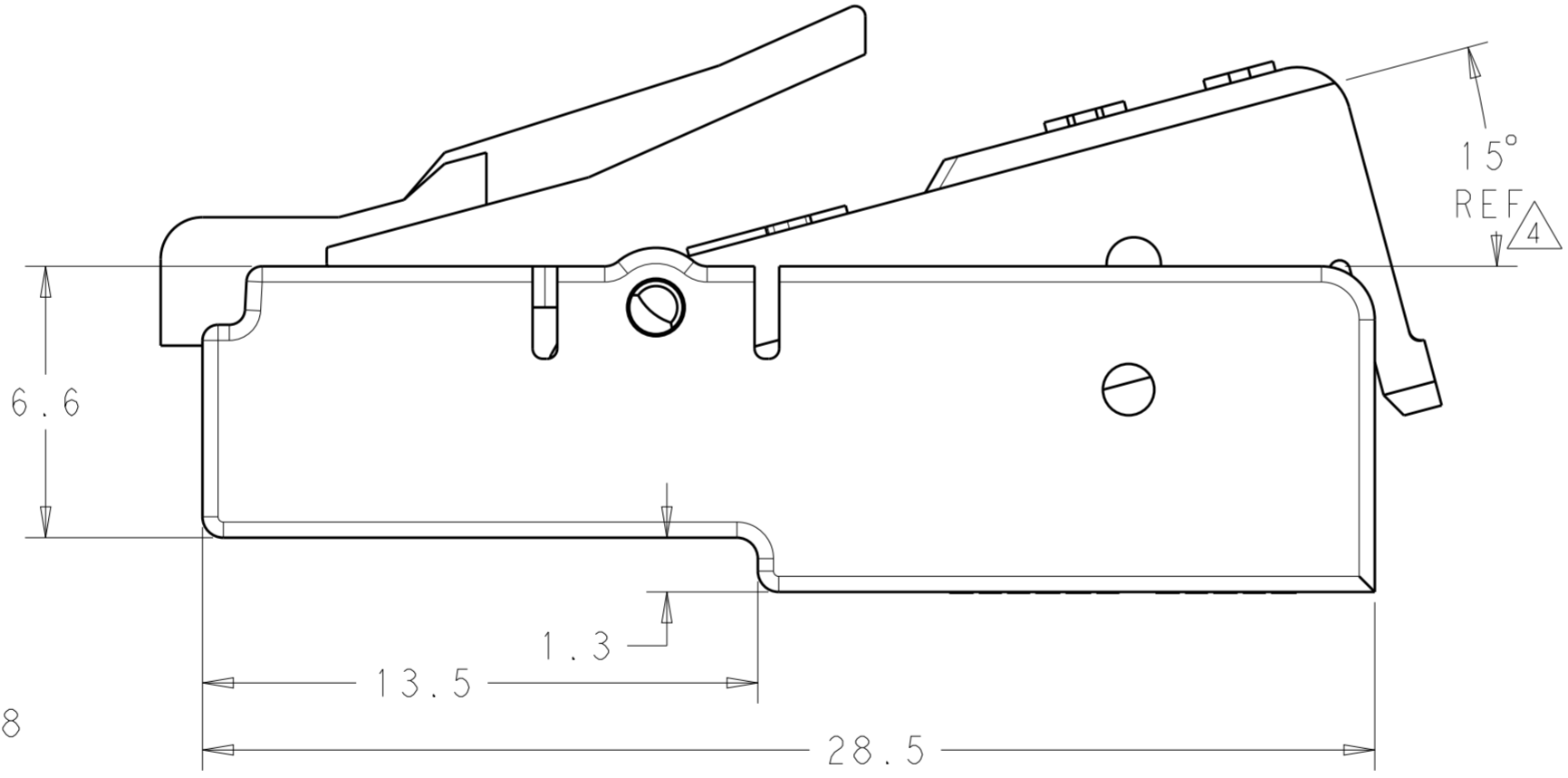
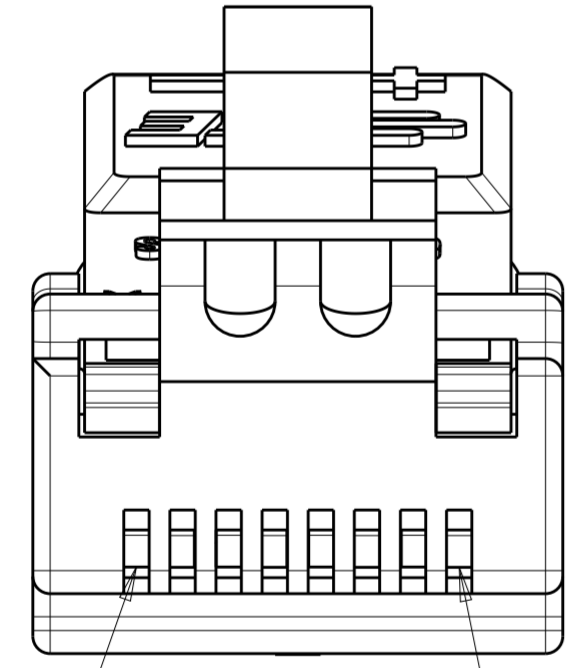


THIS DRAWING IS UNPUBLISHED. RELEASED FOR PUBLICATION 20  
 © COPYRIGHT 20 BY - ALL RIGHTS RESERVED.

LOC		DIST		REVISIONS			
P	LTR	DESCRIPTION	DATE	DWN	APVD		
-	-	A	REVISED PER ECR-13-018848	09DEC2013	RS	DD	



- 1 MATERIALS AND FINISH:  
 -HOUSING: PC, COLOR: ORANGE  
 -STUFFER: PC, COLOR: REFERENCE TABLE  
 -CONTACTS: COPPER ALLOY, FINISH: Sn OVER Ni WITH Au/Pd Ni ON CONTACT MATING INTERFACE
- 2. MUST COMPLY WITH DIRECTIVE 2002/95/EC (ROHS)
- 3. THIS PRODUCT HAS NOT COMPLETED VALIDATION TESTING
- 4 STUFFER SHOWN IN AS SUPPLIED CONDITION
- 5 WIRE ENTRY POSITION TO INTERFACE POSITIONS 1, 3, 5, 7
- 6 WIRE ENTRY POSITION TO INTERFACE POSITIONS 2, 4, 6, 8
- 7 DESIGNED FOR USE WITH BELDEN 6300UE CABLE WITH 2 - 18AWG CONDUCTORS
- 8 DESIGNED FOR USE WITH LEONI H03VVH2-F CABLE WITH 2 - 0.75mm<sup>2</sup> CONDUCTORS
- 9 APPROPRIATE ASSEMBLY DASH PART NUMBER (-1 OR -2) INDICATOR THIS AREA



BLUE	8	2213145-2
CLEAR	7	2213145-1
STUFFER COLOR	CABLE	PART NO.

THIS DRAWING IS A CONTROLLED DOCUMENT.		DWN C. DAILY 30AUG2012	TE Connectivity	
		CHK E. HOWARD 30AUG2012		
DIMENSIONS:	TOLERANCES UNLESS OTHERWISE SPECIFIED:	APVD	NAME	
mm	0 PLC ± 1 PLC ±0.2 2 PLC ±0.15 3 PLC ± 4 PLC ± ANGLES ±2° FINISH	-	CONNECTOR ASSEMBLY, PIVOT POWER RJ45	
MATERIAL		PRODUCT SPEC 108-133010	SIZE	RESTRICTED TO
		APPLICATION SPEC 114-32052	A200779	
		WEIGHT	C-2213145	
		Customer Drawing	SCALE 6:1	SHEET 1 OF 1 REV A

## X-ON Electronics

Largest Supplier of Electrical and Electronic Components

*Click to view similar products for [Modular Connectors / Ethernet Connectors](#) category:*

*Click to view products by [TE Connectivity](#) manufacturer:*

Other Similar products are found below :

[8949-H88/06BLKA/SN](#) [74441-0010/BKN](#) [MP1010RX-1000](#) [MP44RX-1000](#) [PHJ-4P4C-1-V-4](#) [PHP-6P6C-5](#) [GAX-3-66](#) [GAX-8-62](#) [GDCX-PA-66-50](#) [GDCX-PN-64](#) [GDCX-PN-66](#) [GDCX-PN-66-50](#) [GDLX-A-66](#) [GDLX-N-66](#) [GDLX-S-66](#) [GDLX-S-88K](#) [GDTX-S-88-50](#) [GDX-PA-1010](#) [GLX-N-1010M-BLK](#) [GLX-S-88M-BLK](#) [GMX-N-1010](#) [GMX-S-1010](#) [GMX-S-66](#) [GMX-SMT4-N-88](#) [GPX-2-64](#) [GSGX-N-2-88](#) [GSGX-N-4-88](#) [GSX-NS2-88-3.05](#) [GSX-NS2-88-3.05-50](#) [GSX-NS-88-3.05-50](#) [PT-108A-8C-UL](#) [PT-J951-8C](#) [PTS-J531-8CS-50UL](#) [1-1775629-2](#) [A-2014-0-4](#) [GWLX-S-88-GR](#) [GWLX-S9-88-YG](#) [DC-1021-8-WH-6](#) [1300530003](#) [1324640-4](#) [RJ11FTVC2G](#) [RJ11FTVC2N](#) [RJFTVX2SA1G](#) [132764-001](#) [1413235](#) [MP88X-1000](#) [MPS88RX-5000](#) [E5288-S000K3-L](#) [E5908-15A242-L](#) [155302-001](#)