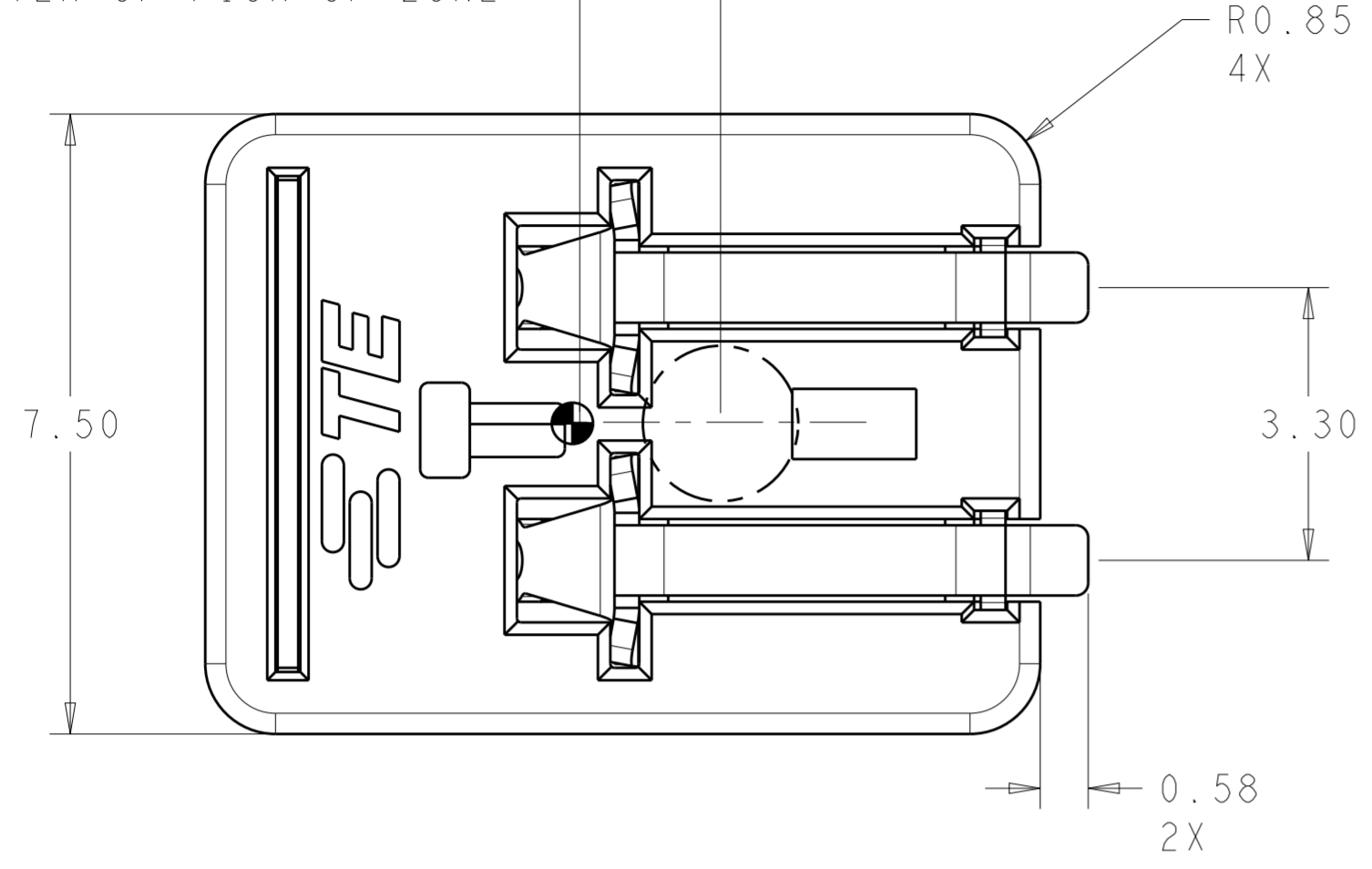


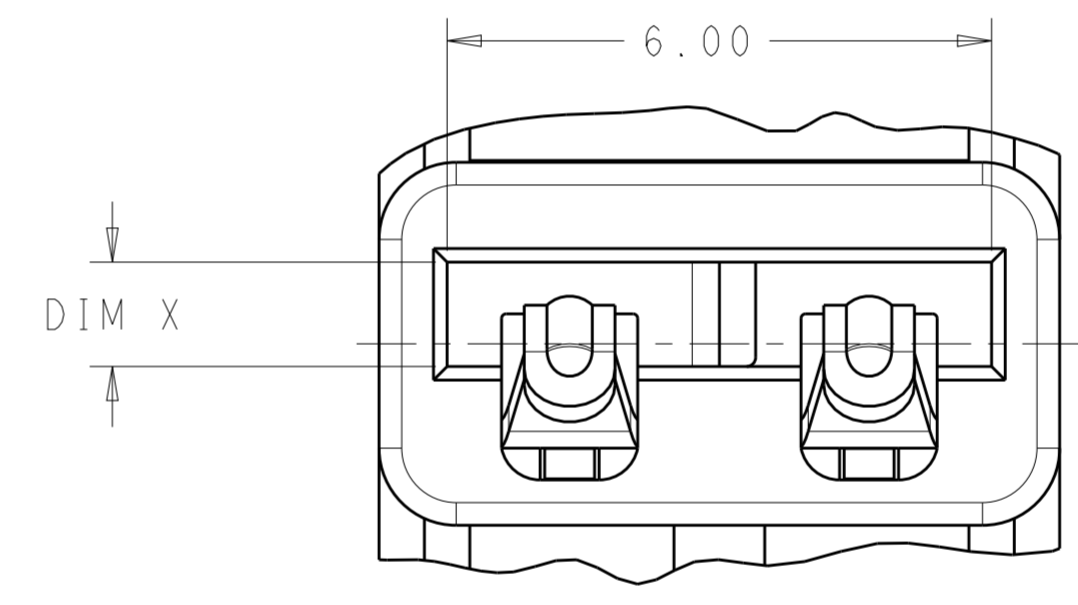
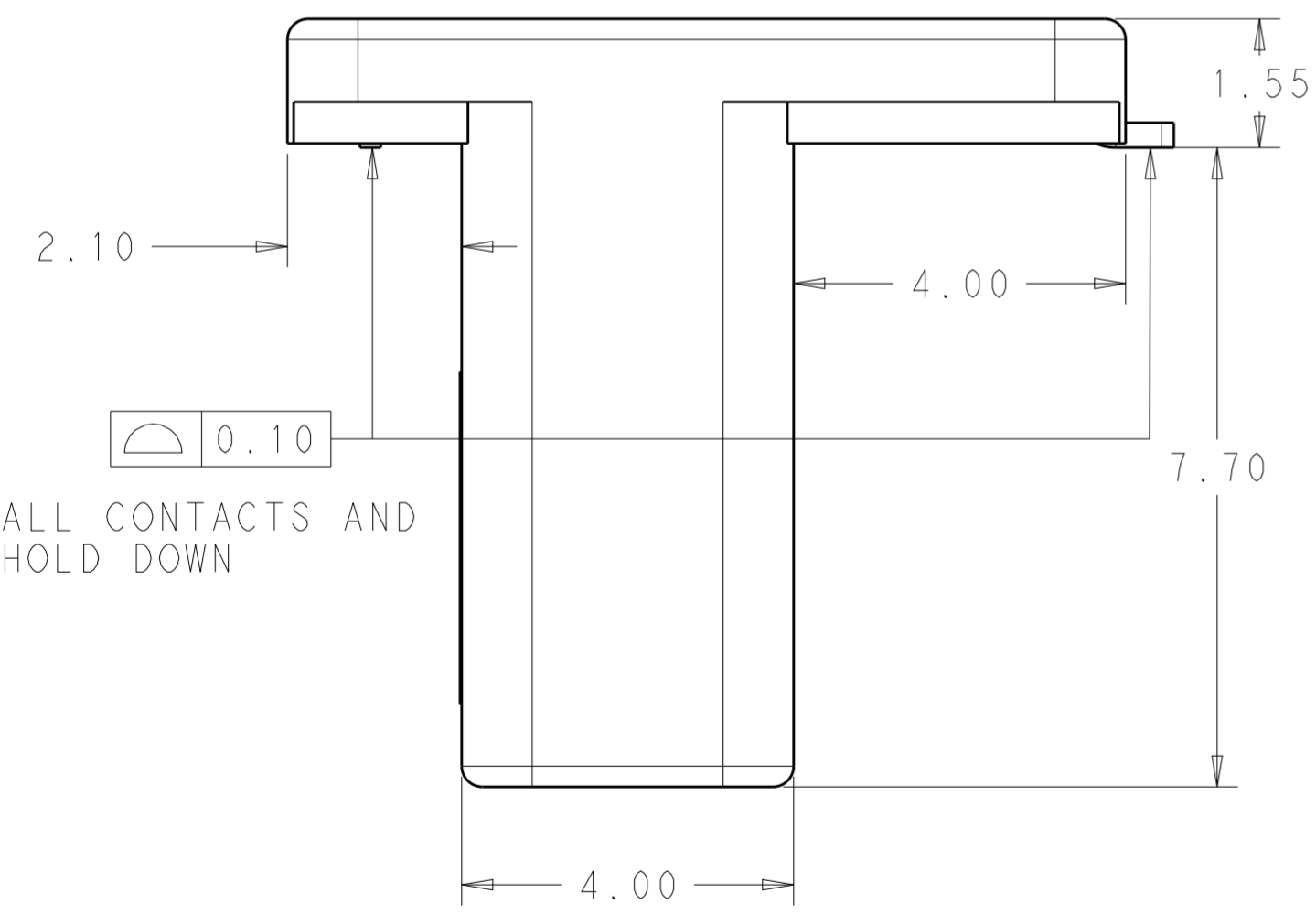
THIS DRAWING IS UNPUBLISHED. RELEASED FOR PUBLICATION 20  
 © COPYRIGHT 20 BY - ALL RIGHTS RESERVED.

LOC		DIST		REVISIONS			
P	LTR	DESCRIPTION	DATE	DWN	APVD		
-	-	A	REVISED PER ECR-16-018289	30DEC2016	RK	PO	

1.70 DISTANCE FROM COG TO CENTER OF PICK UP ZONE



- 1 MATERIALS AND FINISH:  
 -HOUSING AND COVER: THERMOPLASTIC, COLOR: NATURAL  
 -CONTACTS: COPPER ALLOY, FINISH: Sn OVER Ni  
 -HOLD DOWN: COPPER ALLOY, FINISH: Sn OVER Ni
- 2. MUST COMPLY WITH DIRECTIVE 2002/95/EC (ROHS)
- 3. THIS PRODUCT HAS NOT COMPLETED VALIDATION TESTING.
- 4. PACKAGED IN TAPE AND REEL
- 5 PCB EDGE TO BE DETERMINED BY CUSTOMER APPLICATION
- 6 TO BE USED WITH 1.0±10% (OR 0.8±10%) PCB THICKNESS
- 7 TO BE USED WITH 1.6±10% PCB THICKNESS
- 8 DIMENSION SHOWN IS RECOMMENDED SOLDER MASK OPENING



VIEW E  
SCALE 12:1

2213188-1, -2

1.6	WITH COVER	1.44 - 1.75	1.81	2213188-4
1.0	WITH COVER	0.72 - 1.10	1.15	2213188-3
1.6	W/O COVER	1.44 - 1.75	1.81	2213188-2
1.0	W/O COVER	0.72 - 1.10	1.15	2213188-1
MARKING	COVER	DIM B	DIM X	PART NO.

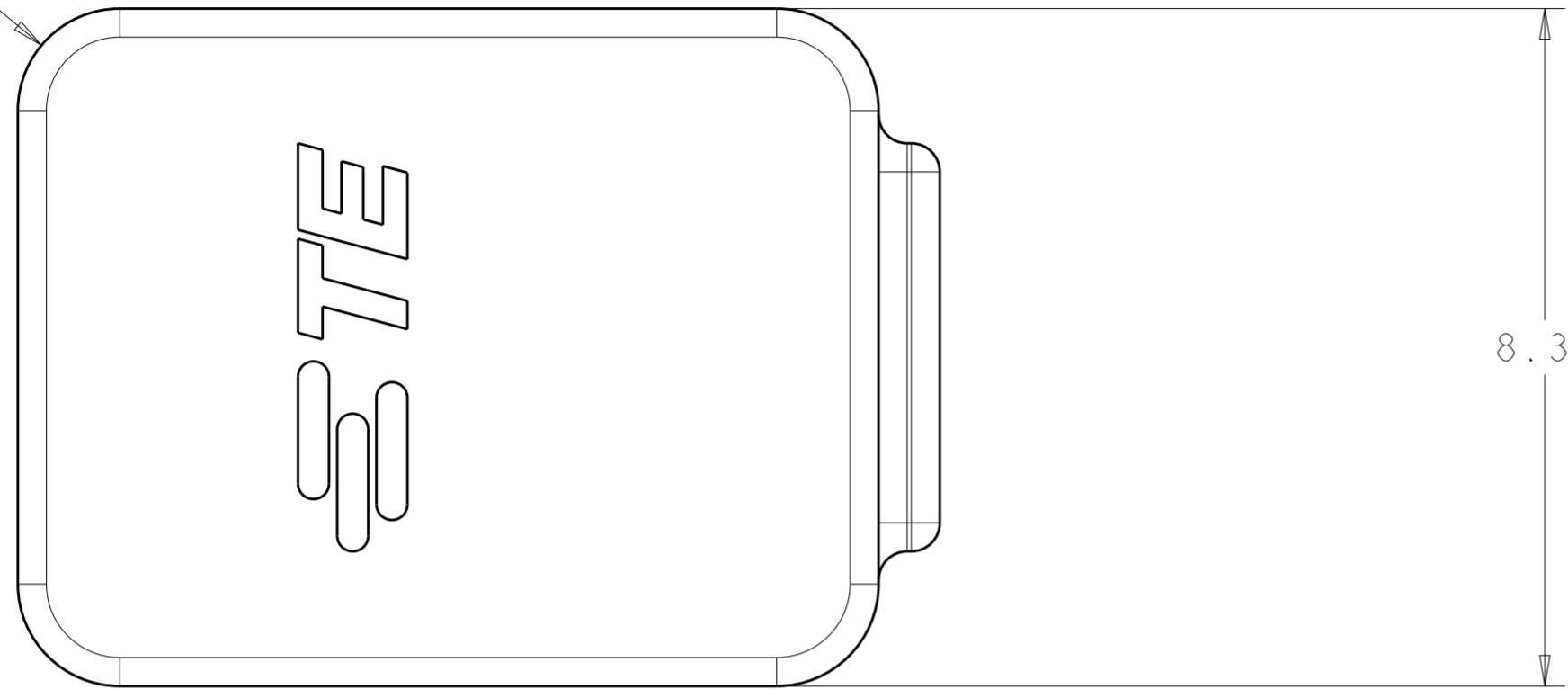
SEE VIEW E

THIS DRAWING IS A CONTROLLED DOCUMENT.		DWN C. DAILY 25OCT2012	TE Connectivity	
		CHK C. GINGRICH 25OCT2012		
DIMENSIONS: mm		TOLERANCES UNLESS OTHERWISE SPECIFIED:		NAME ASSEMBLY, CARD EDGE INVERTED THROUGH BOARD
		0 PLC ±	1 PLC ±0.2	PRODUCT SPEC 108-32041
		2 PLC ±0.15	3 PLC ±	APPLICATION SPEC 114-32054
		4 PLC ±	ANGLES ±2°	SIZE A200779
MATERIAL		FINISH		DRAWING NO C-2213188
				RESTRICTED TO
				SCALE 7:1 SHEET 1 OF 4 REV A
				CUSTOMER DRAWING

THIS DRAWING IS UNPUBLISHED. RELEASED FOR PUBLICATION 20  
 © COPYRIGHT 20 BY - ALL RIGHTS RESERVED.

LOC	DIST	REVISIONS			
P	LTR	DESCRIPTION	DATE	DWN	APVD
-	-	SEE SHEET 1	-	-	-

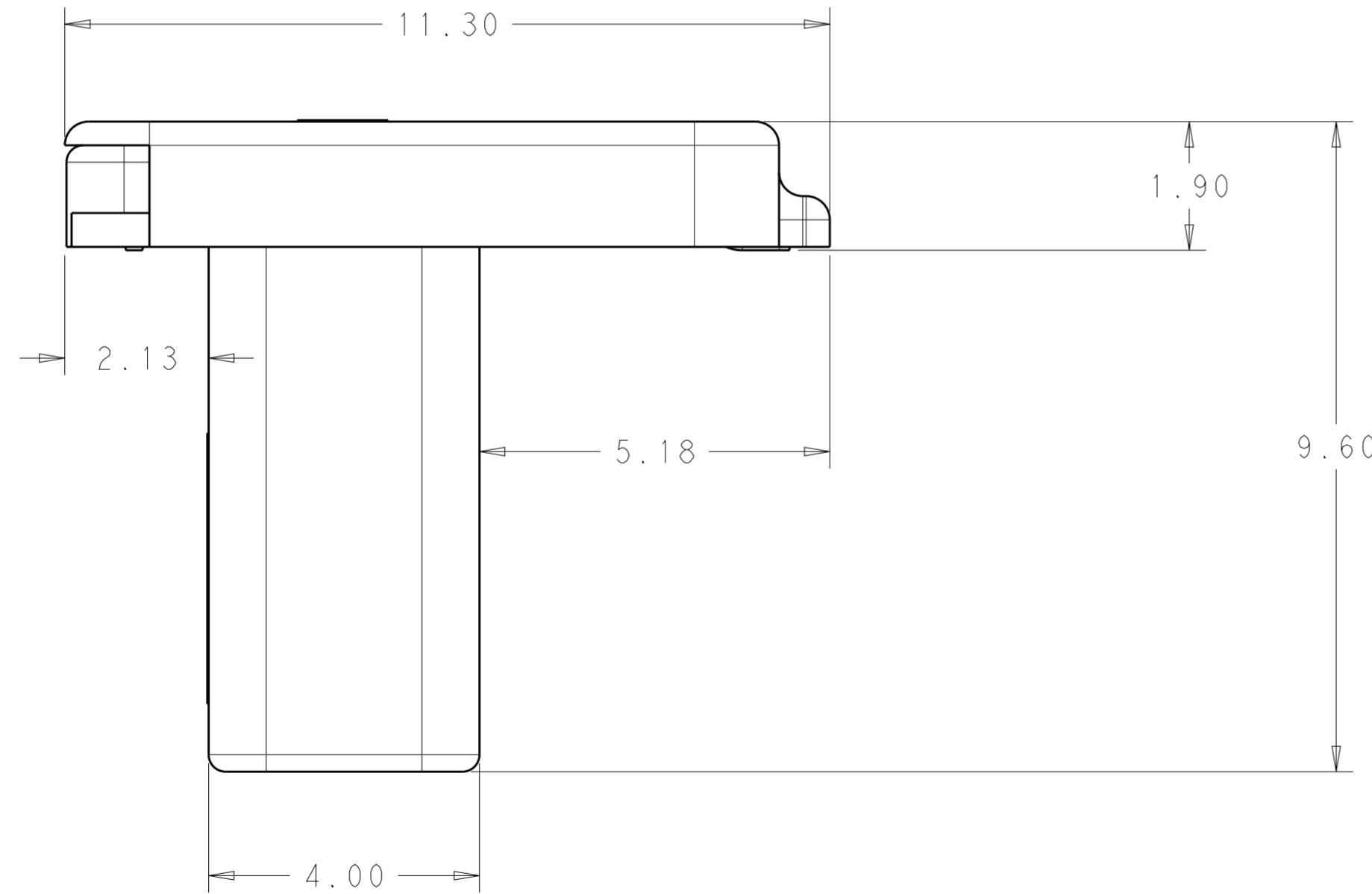
R1.25



8.30

SCALE 12:1

2213188-3, -4



11.30

1.90

2.13

5.18

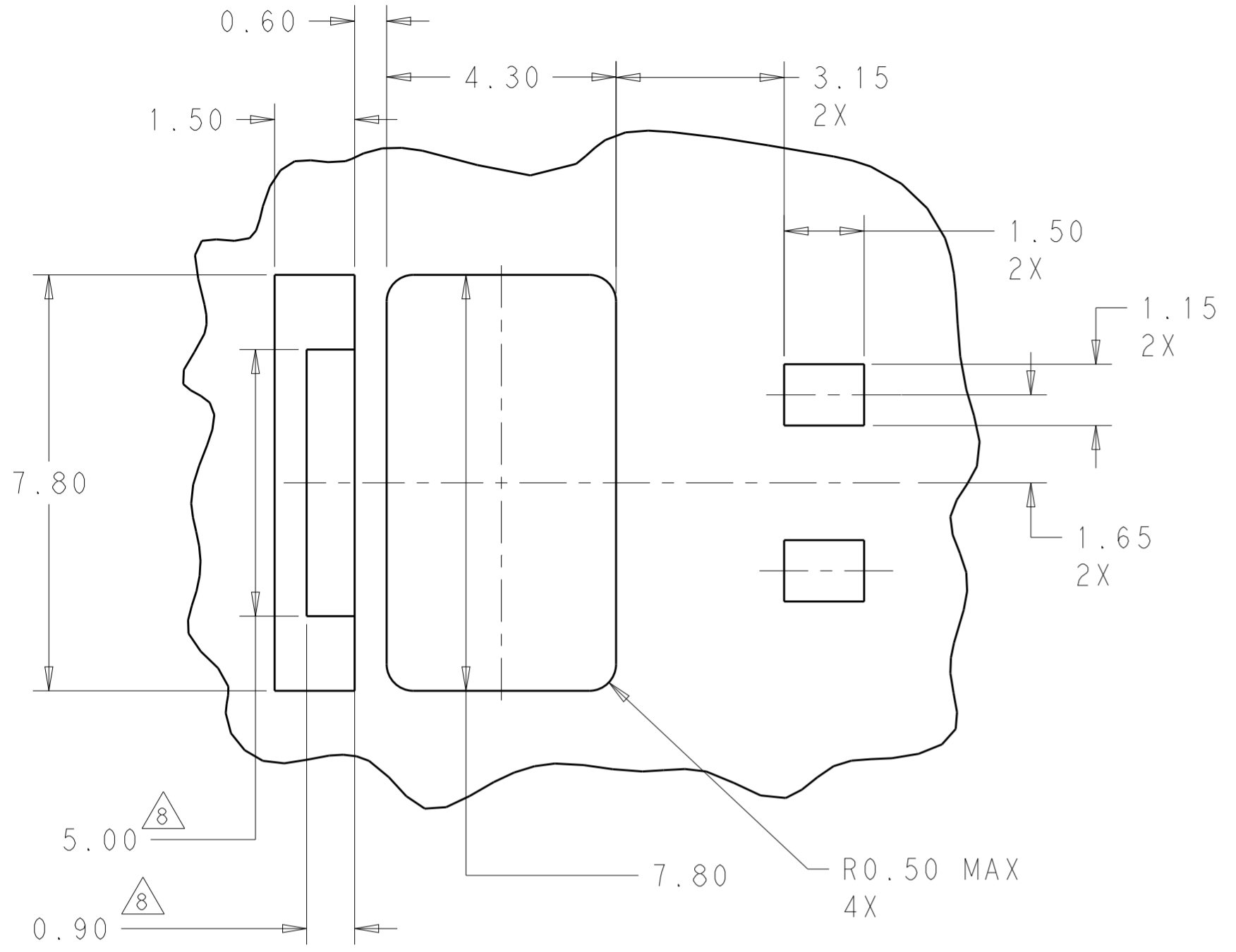
9.60

4.00

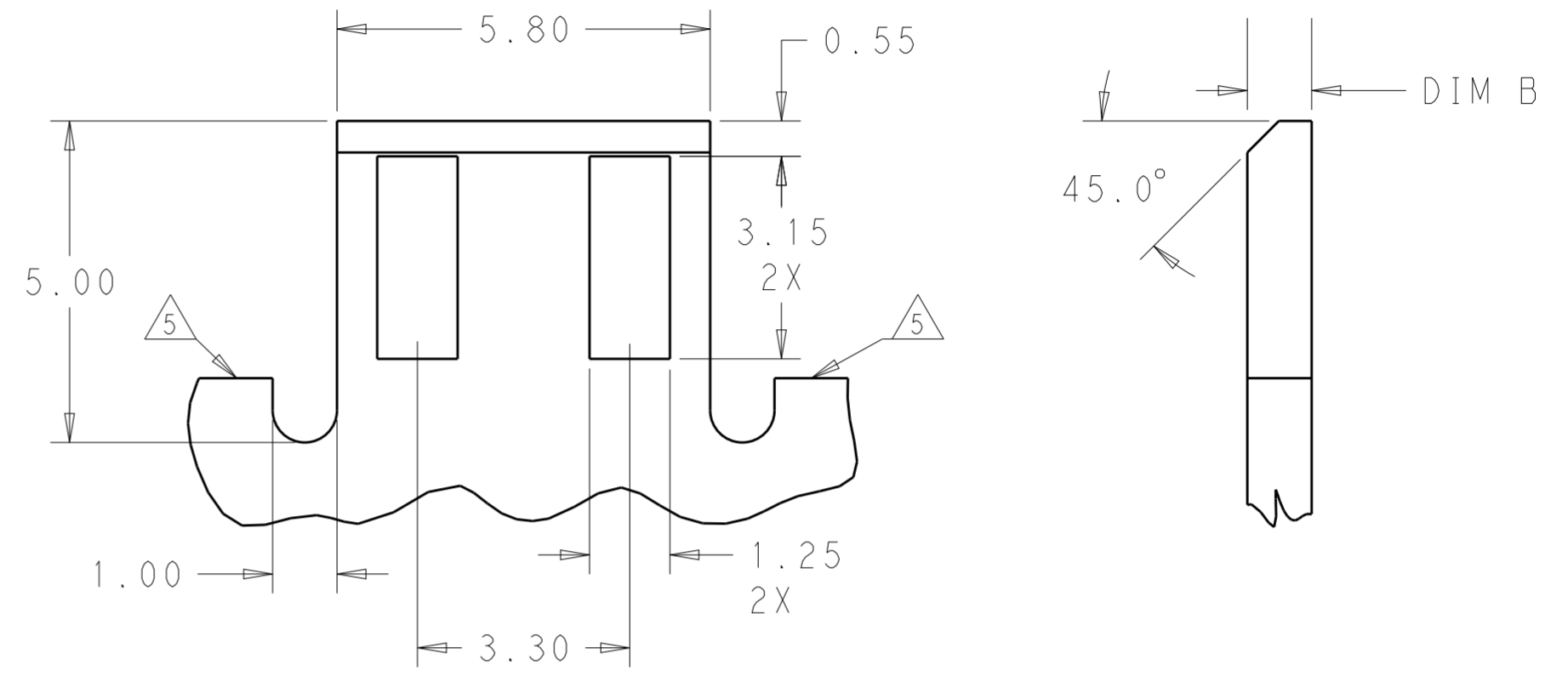
THIS DRAWING IS A CONTROLLED DOCUMENT.		DWN C. DAILY 25OCT2012	<b>STC</b> TE Connectivity	
		CHK C. GINGRICH 25OCT2012		
DIMENSIONS: mm		APVD -		NAME ASSEMBLY, CARD EDGE INVERTED THROUGH BOARD
TOLERANCES UNLESS OTHERWISE SPECIFIED: 0 PLC ± 1 PLC ±0.2 2 PLC ±0.15 3 PLC ± 4 PLC ± ANGLES ±2° FINISH		PRODUCT SPEC 108-32041		SIZE A200779
MATERIAL -		APPLICATION SPEC 114-32054		CAGE CODE C-2213188
		WEIGHT -		DRAWING NO C-2213188
		CUSTOMER DRAWING		RESTRICTED TO -
		SCALE 7:1		SHEET 2 OF 4 REV A

THIS DRAWING IS UNPUBLISHED. RELEASED FOR PUBLICATION 20  
 © COPYRIGHT 20 BY - ALL RIGHTS RESERVED.

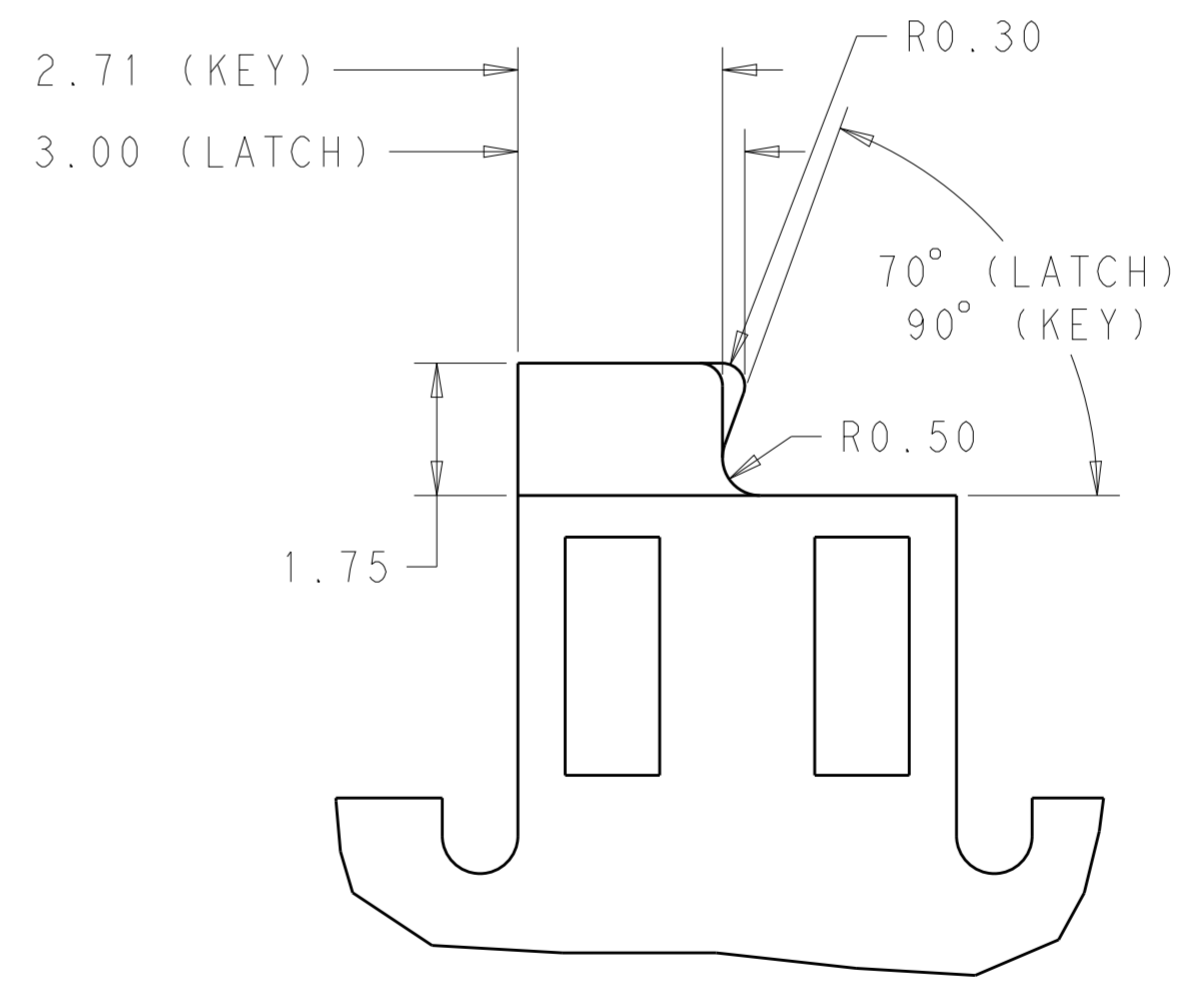
LOC		DIST		REVISIONS			
P	LTR	DESCRIPTION	DATE	DWN	APVD		
-	-	SEE SHEET 1	-	-	-		



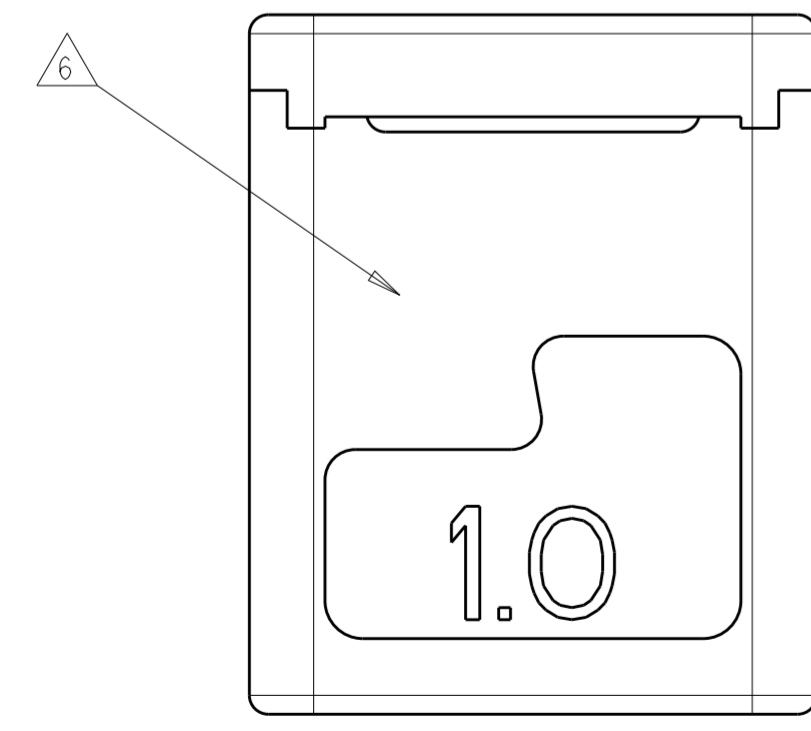
MOUNTING PCB LAYOUT  
SCALE 10:1



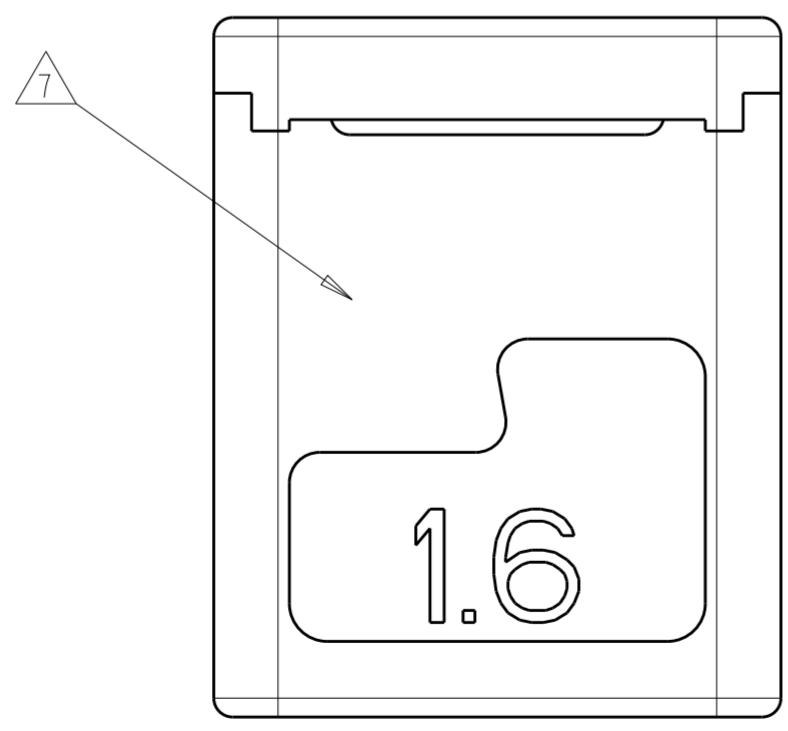
MATING PCB DETAILS (PREFERRED OPTION)  
SCALE 10:1



MATING PCB DETAILS (KEY AND LATCH OPTIONS)  
SCALE 10:1



2213188-1, -3  
SCALE 10:1

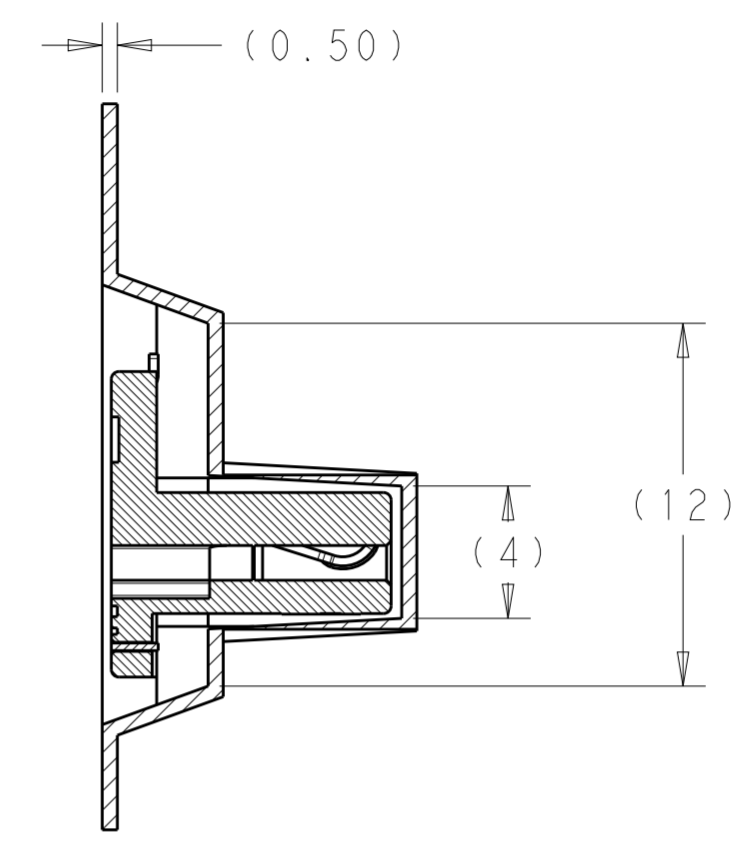
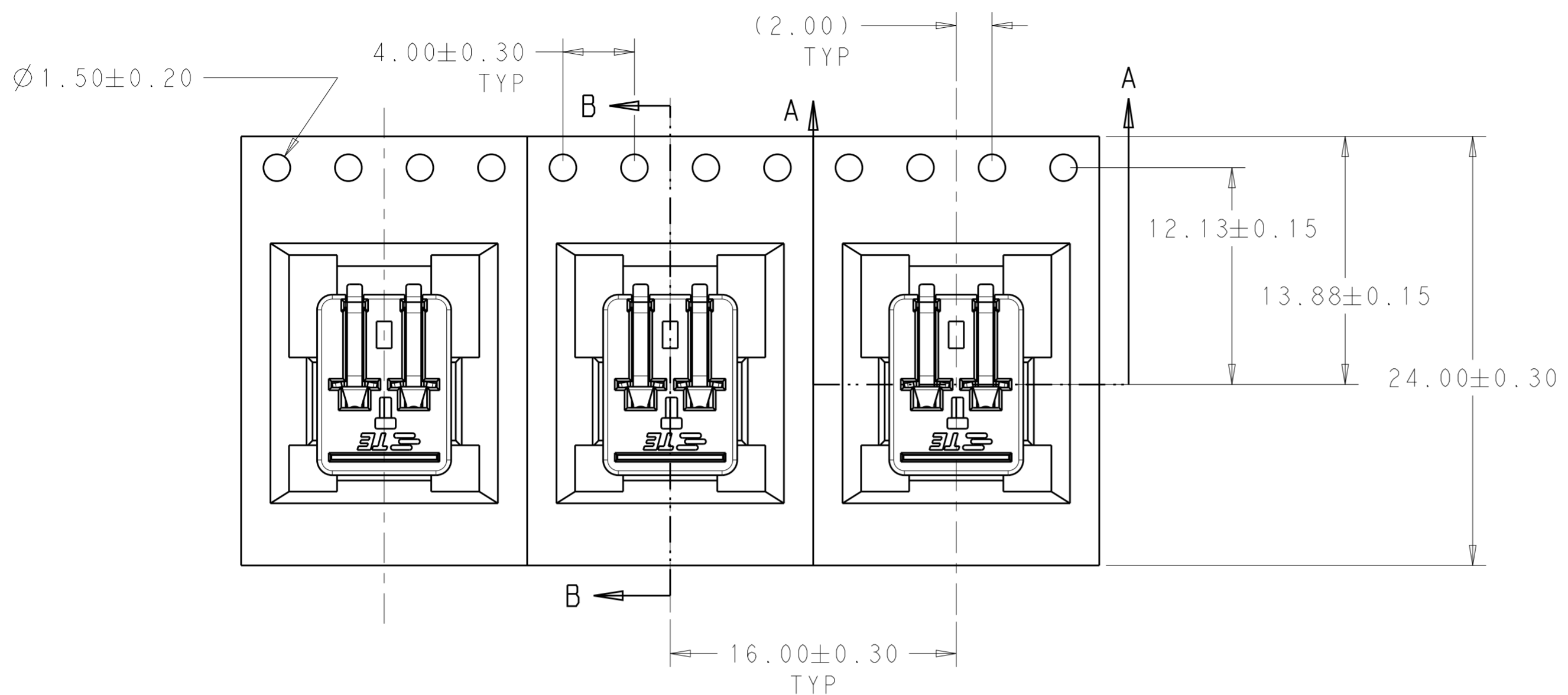


2213188-2, -4  
SCALE 10:1

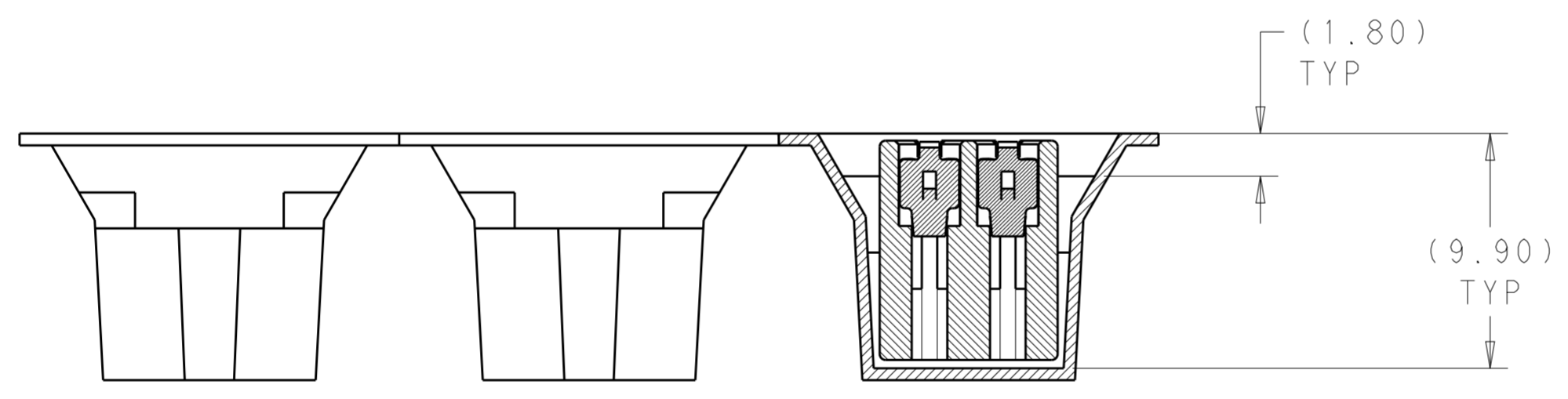
THIS DRAWING IS A CONTROLLED DOCUMENT.		DWN C. DAILY 25OCT2012	<b>STE</b> TE Connectivity	
		CHK C. GINGRICH 25OCT2012		
DIMENSIONS: mm		TOLERANCES UNLESS OTHERWISE SPECIFIED:		NAME ASSEMBLY, CARD EDGE INVERTED THROUGH BOARD
0 PLC ±		1 PLC ±0.2		PRODUCT SPEC 108-32041
2 PLC ±0.15		3 PLC ±		APPLICATION SPEC 114-32054
4 PLC ±		ANGLES ±2°		SIZE A200779
MATERIAL		FINISH		CAGE CODE C-2213188
		CUSTOMER DRAWING		RESTRICTED TO -
		SCALE 7:1		SHEET 3 OF 4
				REV A

THIS DRAWING IS UNPUBLISHED. RELEASED FOR PUBLICATION 20  
 © COPYRIGHT 20 BY - ALL RIGHTS RESERVED.

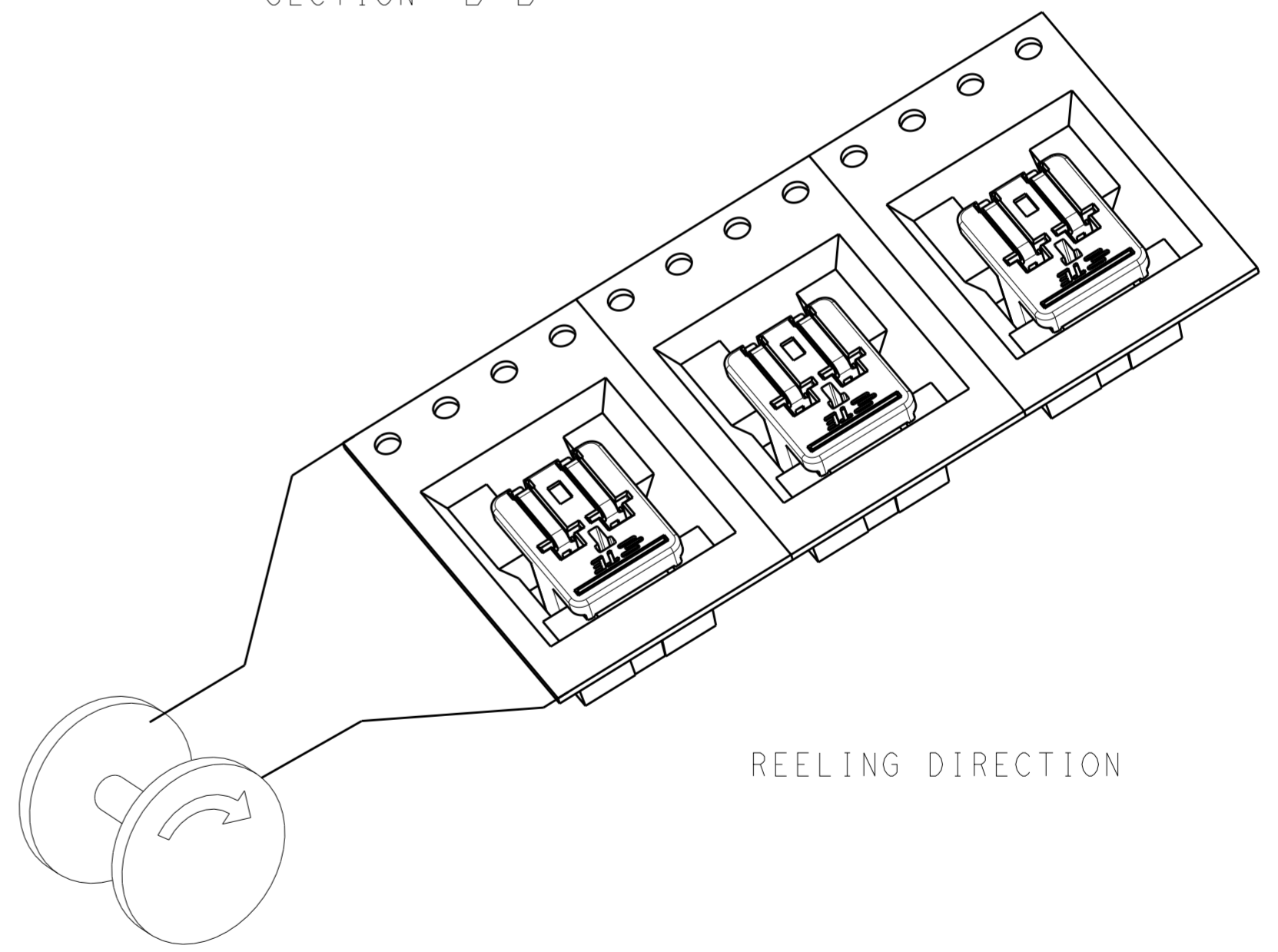
LOC		DIST		REVISIONS			
P	LTR	DESCRIPTION	DATE	DWN	APVD		
-	-	SEE SHEET 1	-	-	-		



SECTION B-B


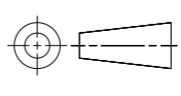


SECTION A-A



REELING DIRECTION

PACKAGING FOR 2213188-1 SHOWN

THIS DRAWING IS A CONTROLLED DOCUMENT.		DWN C. DAILY 25OCT2012	 TE Connectivity	
		CHK C. GINGRICH 25OCT2012		
DIMENSIONS:		APVD		NAME
mm		PRODUCT SPEC		ASSEMBLY, CARD EDGE INVERTED THROUGH BOARD
		APPLICATION SPEC		
TOLERANCES UNLESS OTHERWISE SPECIFIED:		114-32054		RESTRICTED TO
0 PLC ±		WEIGHT		
1 PLC ±0.2		CUSTOMER DRAWING		
2 PLC ±0.15		SCALE 7:1		
3 PLC ±		SHEET 4 OF 4		
4 PLC ±		REV A		
ANGLES ±2°				
FINISH				

## X-ON Electronics

Largest Supplier of Electrical and Electronic Components

*Click to view similar products for [Lighting Connectors](#) category:*

*Click to view products by [TE Connectivity](#) manufacturer:*

Other Similar products are found below :

[293300-7](#) [293660-5](#) [CNX\\_H03\\_NTP](#) [30-9767-BU](#) [3605](#) [3-21030-1](#) [ZCH-110-RGB-I](#) [503471-0290](#) [ZCH-110-RGB-J](#) [217-0716-200](#)  
[1954563-1](#) [1-293657-2](#) [2834036-1](#) [2834037-1](#) [1-2213222-4](#) [2-2213222-4](#) [2213222-4](#) [2834122-3](#) [2834122-5](#) [2834135-2](#) [FLA-R4142-30](#)  
[FLA-R4162-30](#) [FLA-R2142-30](#) [FLA-R2141-30](#) [FLA-R2162-30](#) [FLA-R2161-30](#) [FLA-R0161-30](#) [FLA-R0141-30](#) [FLA-R0142-30](#) [FLA-](#)  
[R0162-30](#) [FLA-C00-00](#) [DGA00010553](#) [CNXV04NTP](#) [104128-0610](#) [503485-0000 \(Cut Strip\)](#) [503485-0000 \(Loose Piece\)](#) [503485-0000](#)  
[\(MINI Reel\)](#) [1-2834074-2](#) [1-2834074-3](#) [1357-AC PLUG W2C \(CHINA\)](#) [1357-AC PLUG W2 \(USA\)](#) [104266-0110](#) [CNXV02NTP](#) [2106212-1](#)  
[2-2834074-2](#) [104266-0210](#) [293470-1](#) [293651-2](#) [293651-4](#) [1-2834006-2](#)