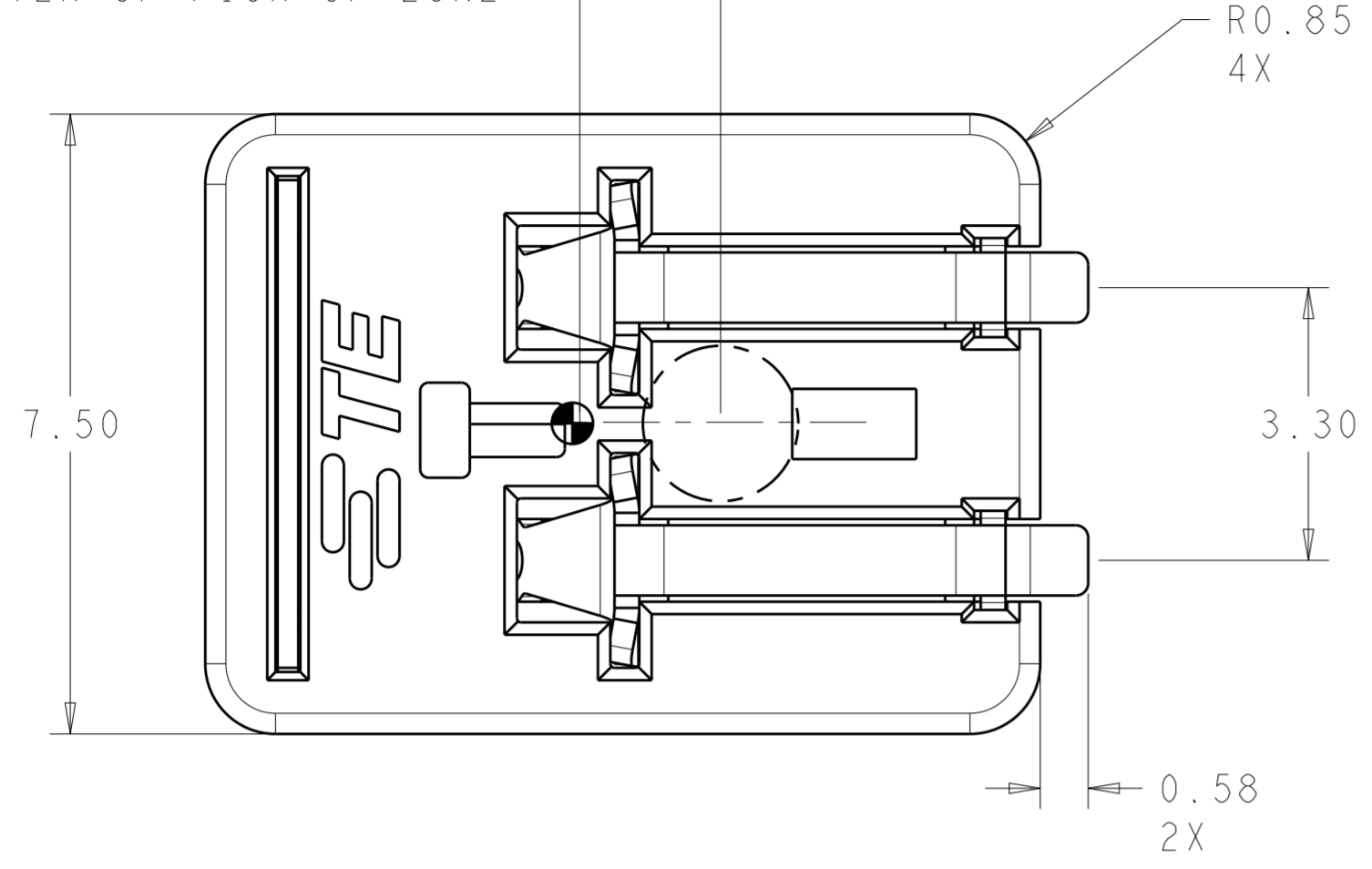


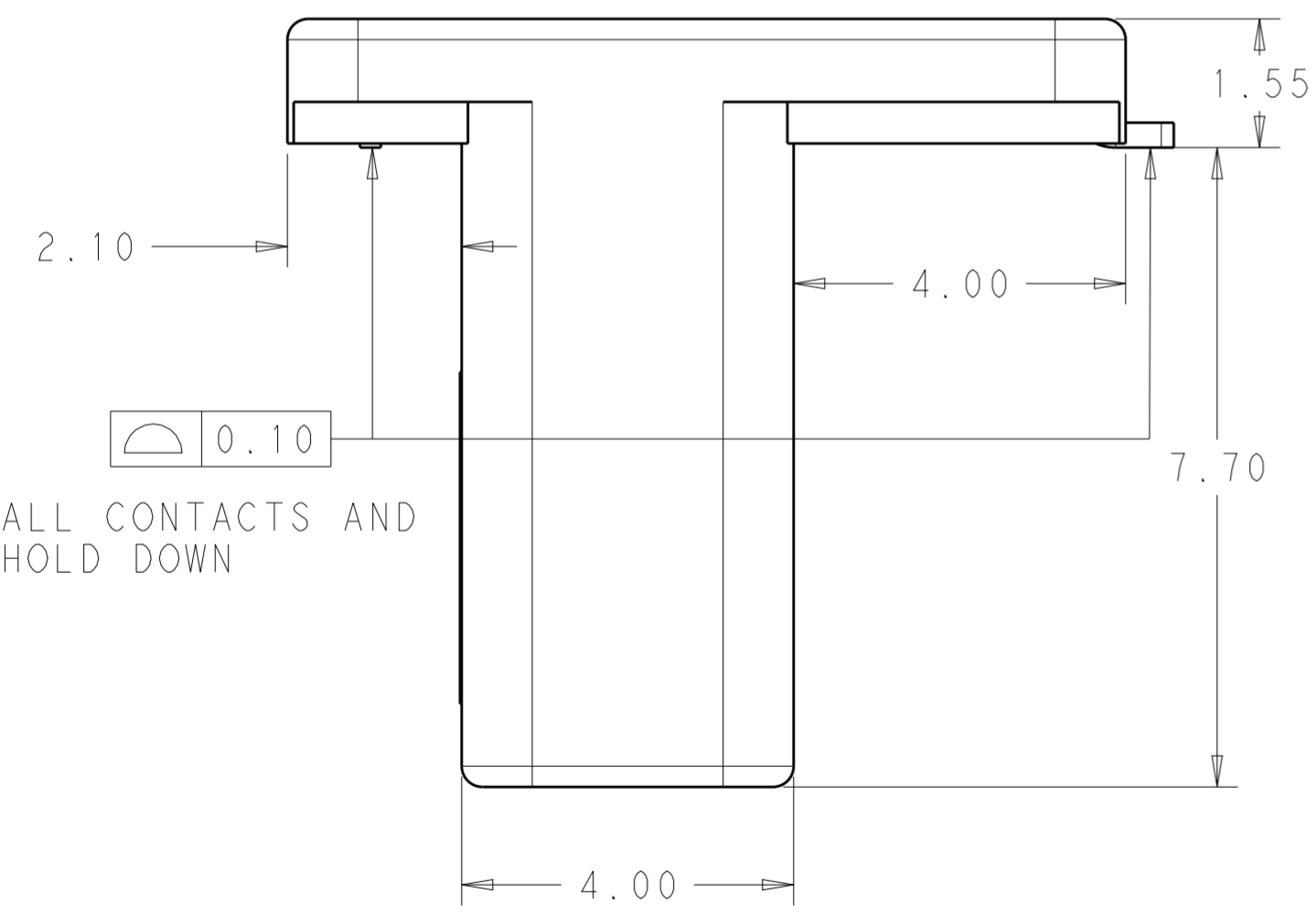
THIS DRAWING IS UNPUBLISHED. RELEASED FOR PUBLICATION 20
 © COPYRIGHT 20 BY - ALL RIGHTS RESERVED.

LOC		DIST		REVISIONS			
P	LTR	DESCRIPTION	DATE	DWN	APVD		
	A	REVISED PER ECR-16-018289	30DEC2016	RK	PO		

1.70 DISTANCE FROM COG TO CENTER OF PICK UP ZONE

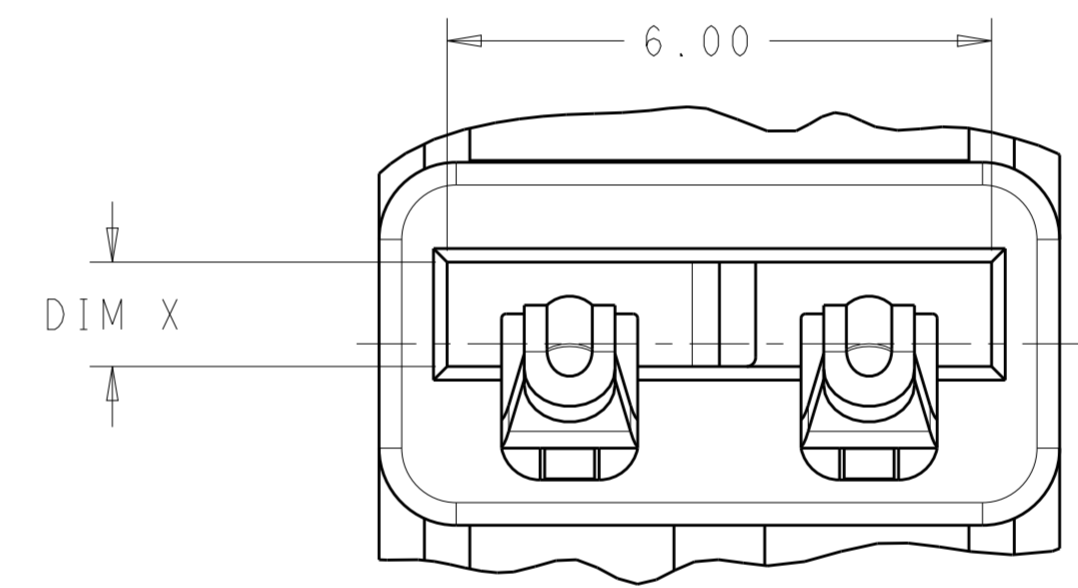


- 1 MATERIALS AND FINISH:
 -HOUSING AND COVER: THERMOPLASTIC, COLOR: NATURAL
 -CONTACTS: COPPER ALLOY, FINISH: Sn OVER Ni
 -HOLD DOWN: COPPER ALLOY, FINISH: Sn OVER Ni
- 2. MUST COMPLY WITH DIRECTIVE 2002/95/EC (ROHS)
- 3. THIS PRODUCT HAS NOT COMPLETED VALIDATION TESTING.
- 4. PACKAGED IN TAPE AND REEL
- 5 PCB EDGE TO BE DETERMINED BY CUSTOMER APPLICATION
- 6 TO BE USED WITH 1.0±10% (OR 0.8±10%) PCB THICKNESS
- 7 TO BE USED WITH 1.6±10% PCB THICKNESS
- 8 DIMENSION SHOWN IS RECOMMENDED SOLDER MASK OPENING



ALL CONTACTS AND HOLD DOWN

SEE VIEW E



VIEW E
SCALE 12:1

2213188-1, -2

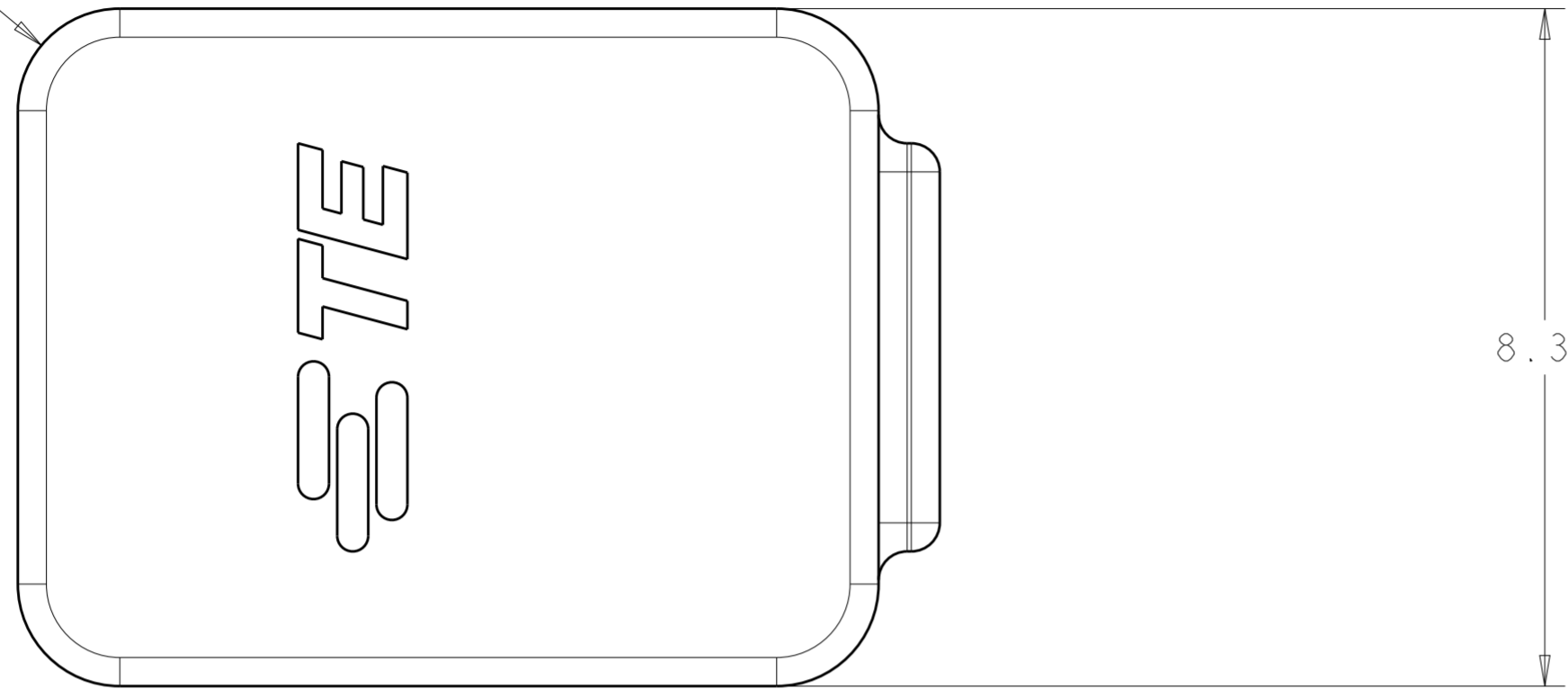
1.6	WITH COVER	1.44 - 1.75	1.81	2213188-4
1.0	WITH COVER	0.72 - 1.10	1.15	2213188-3
1.6	W/O COVER	1.44 - 1.75	1.81	2213188-2
1.0	W/O COVER	0.72 - 1.10	1.15	2213188-1
MARKING	COVER	DIM B	DIM X	PART NO.

THIS DRAWING IS A CONTROLLED DOCUMENT.		DWN C. DAILY 25OCT2012	TE Connectivity	
		CHK C. GINGRICH 25OCT2012		
DIMENSIONS: mm		APVD -		NAME ASSEMBLY, CARD EDGE INVERTED THROUGH BOARD
TOLERANCES UNLESS OTHERWISE SPECIFIED: 0 PLC ± 1 PLC ±0.2 2 PLC ±0.15 3 PLC ± 4 PLC ± ANGLES ±2° FINISH		PRODUCT SPEC 108-32041		SIZE A200779
MATERIAL		APPLICATION SPEC 114-32054		DRAWING NO C-2213188
		WEIGHT -		RESTRICTED TO -
		CUSTOMER DRAWING		SCALE 7:1 SHEET 1 OF 4 REV A

THIS DRAWING IS UNPUBLISHED. RELEASED FOR PUBLICATION 20
 © COPYRIGHT 20 BY - ALL RIGHTS RESERVED.

LOC	DIST	REVISIONS			
P	LTR	DESCRIPTION	DATE	DWN	APVD
-	-	SEE SHEET 1	-	-	-

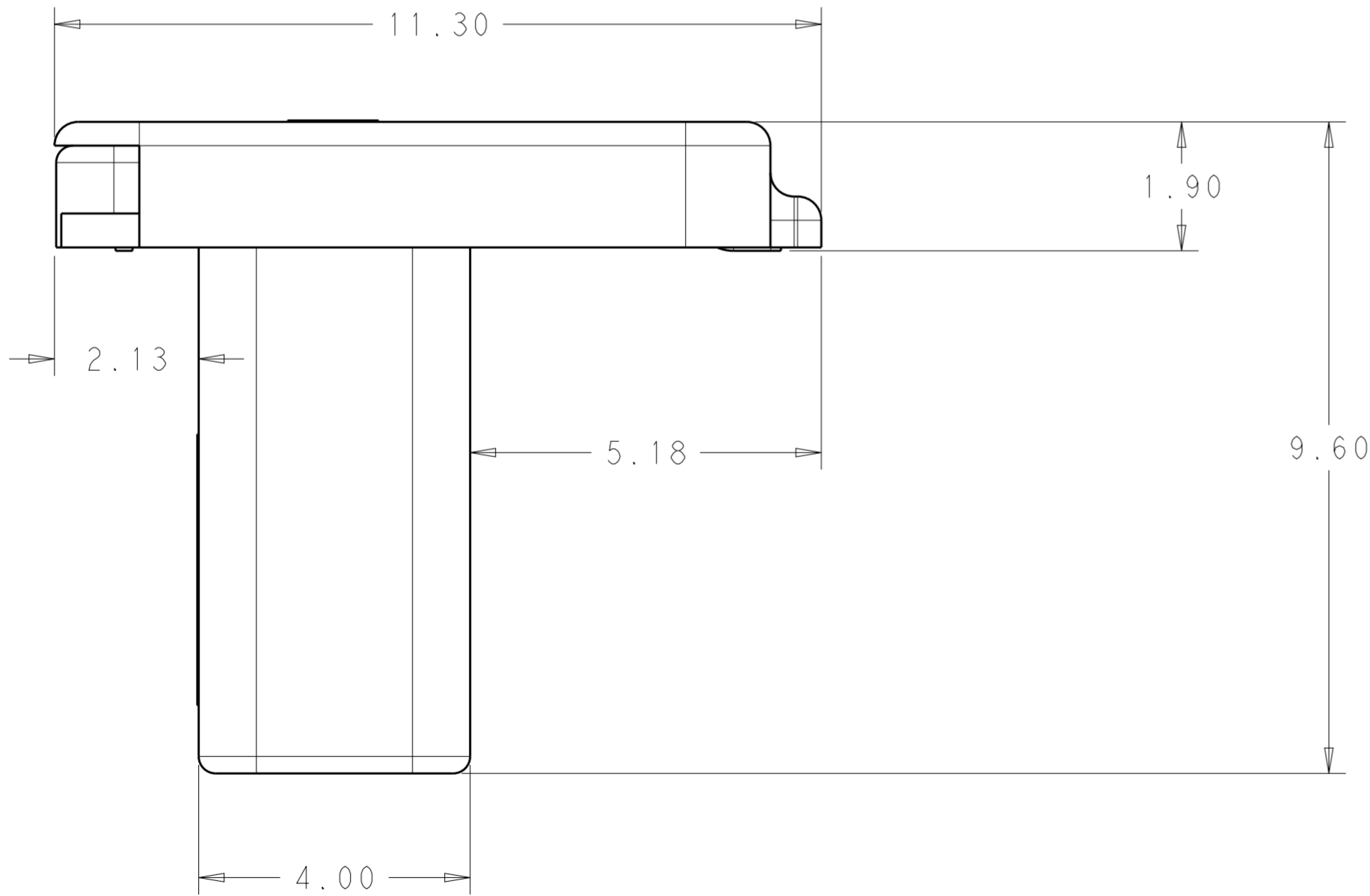
R1.25



8.30

SCALE 12:1

2213188-3, -4



11.30

1.90

2.13

5.18

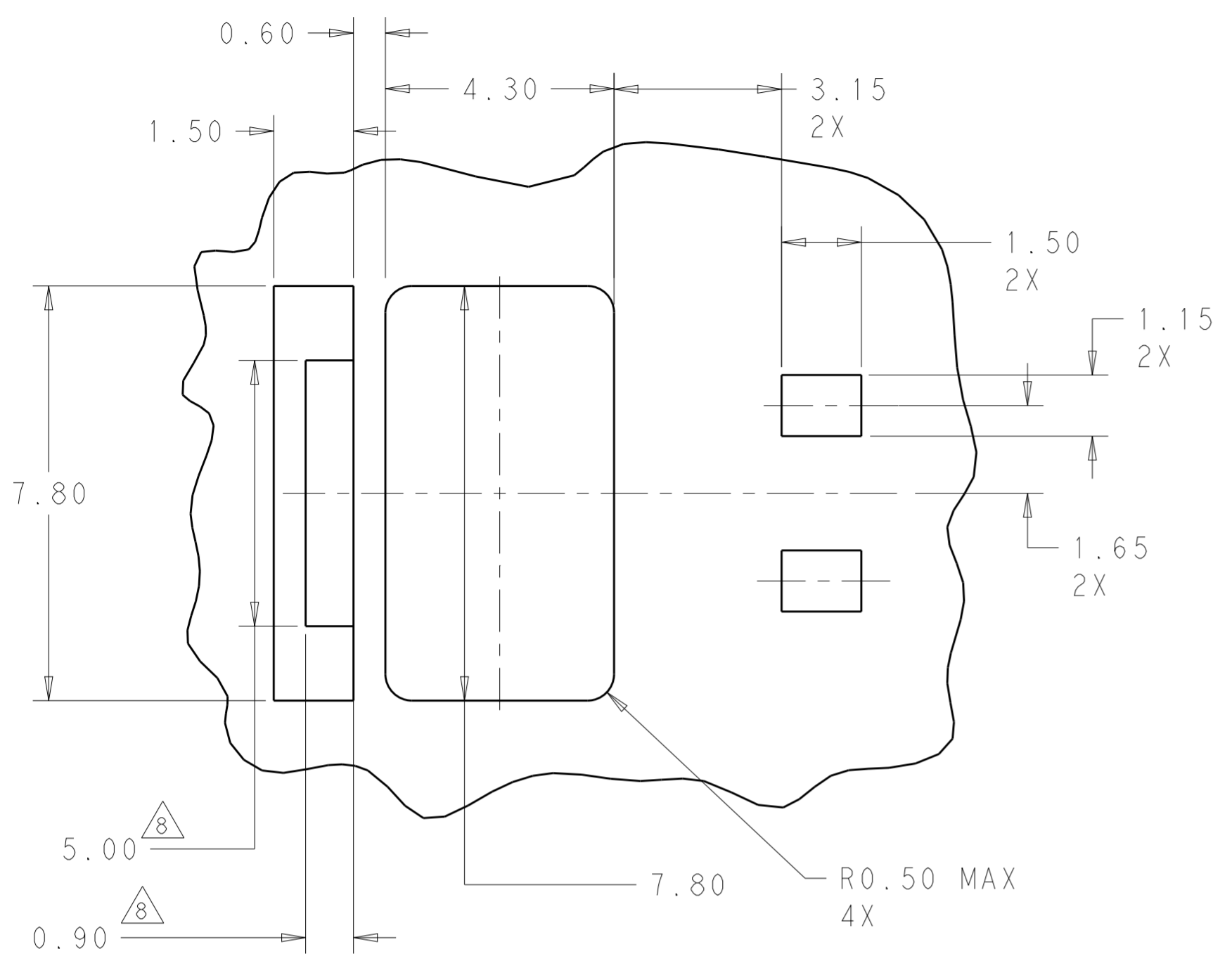
9.60

4.00

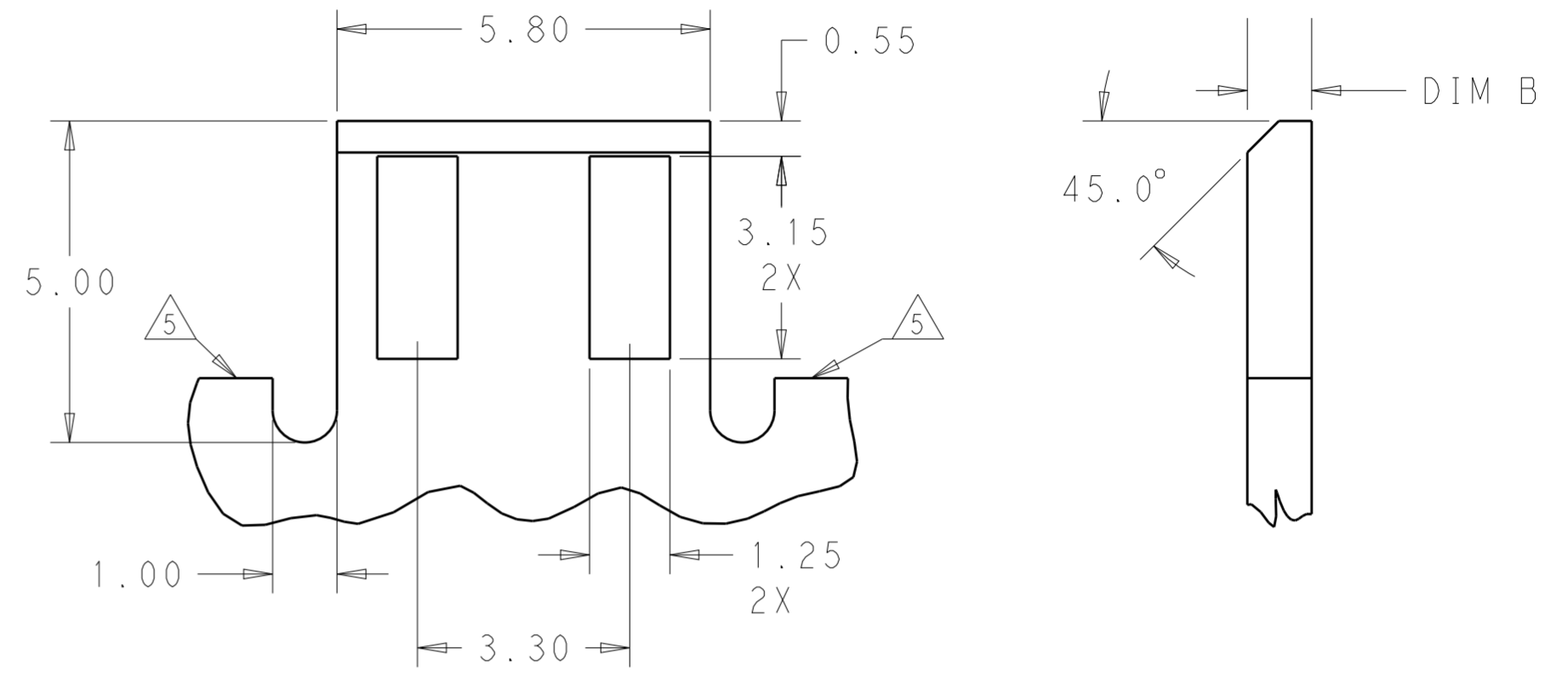
THIS DRAWING IS A CONTROLLED DOCUMENT.		DWN C. DAILY 25OCT2012	STC TE Connectivity	
		CHK C. GINGRICH 25OCT2012		
DIMENSIONS: mm		APVD -		NAME ASSEMBLY, CARD EDGE INVERTED THROUGH BOARD
TOLERANCES UNLESS OTHERWISE SPECIFIED: 0 PLC ± 1 PLC ±0.2 2 PLC ±0.15 3 PLC ± 4 PLC ± ANGLES ±2° FINISH		PRODUCT SPEC 108-32041		SIZE A200779
MATERIAL -		APPLICATION SPEC 114-32054		DRAWING NO C-2213188
		WEIGHT -		RESTRICTED TO -
		CUSTOMER DRAWING		SCALE 7:1 SHEET 2 OF 4 REV A

THIS DRAWING IS UNPUBLISHED. RELEASED FOR PUBLICATION 20
 © COPYRIGHT 20 BY - ALL RIGHTS RESERVED.

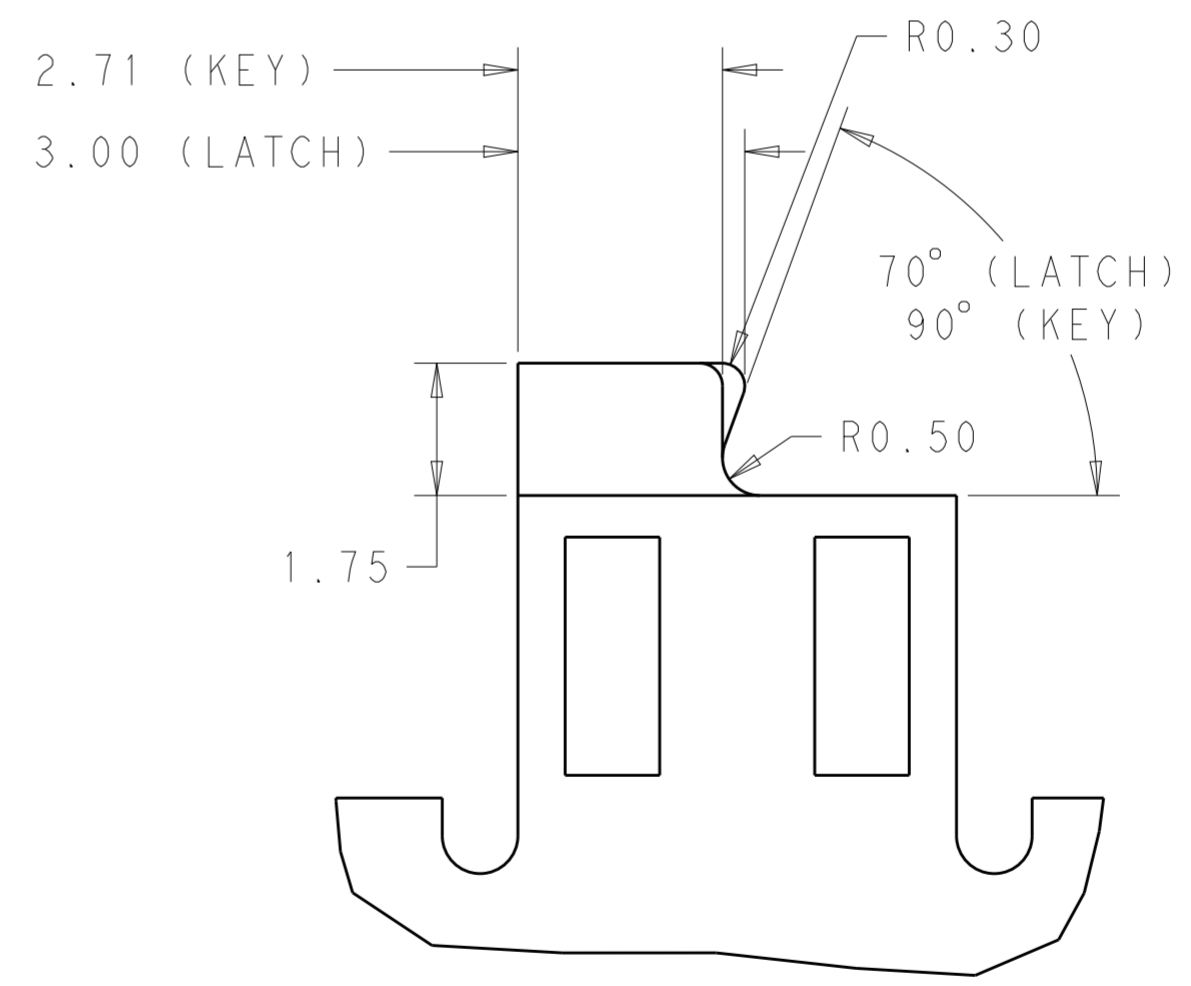
LOC		DIST		REVISIONS			
P	LTR	DESCRIPTION	DATE	DWN	APVD		
-	-	SEE SHEET 1	-	-	-		



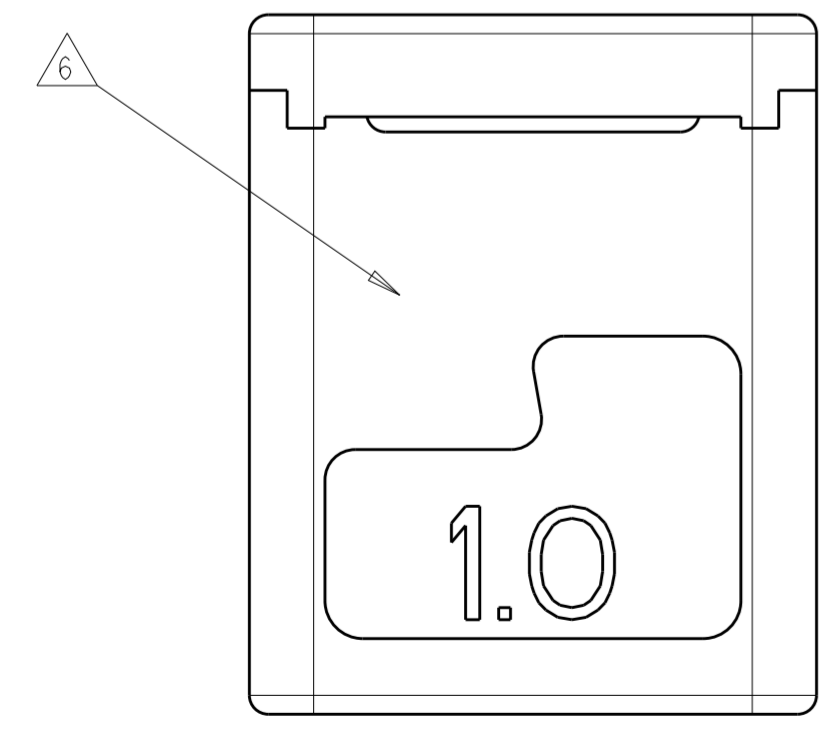
MOUNTING PCB LAYOUT
SCALE 10:1



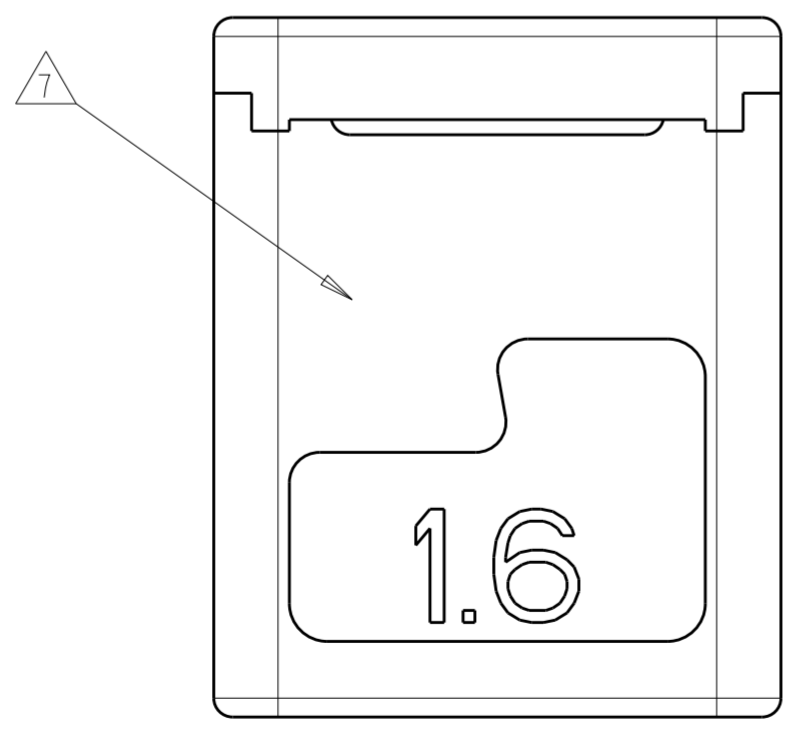
MATING PCB DETAILS (PREFERRED OPTION)
SCALE 10:1



MATING PCB DETAILS (KEY AND LATCH OPTIONS)
SCALE 10:1



2213188-1, -3
SCALE 10:1

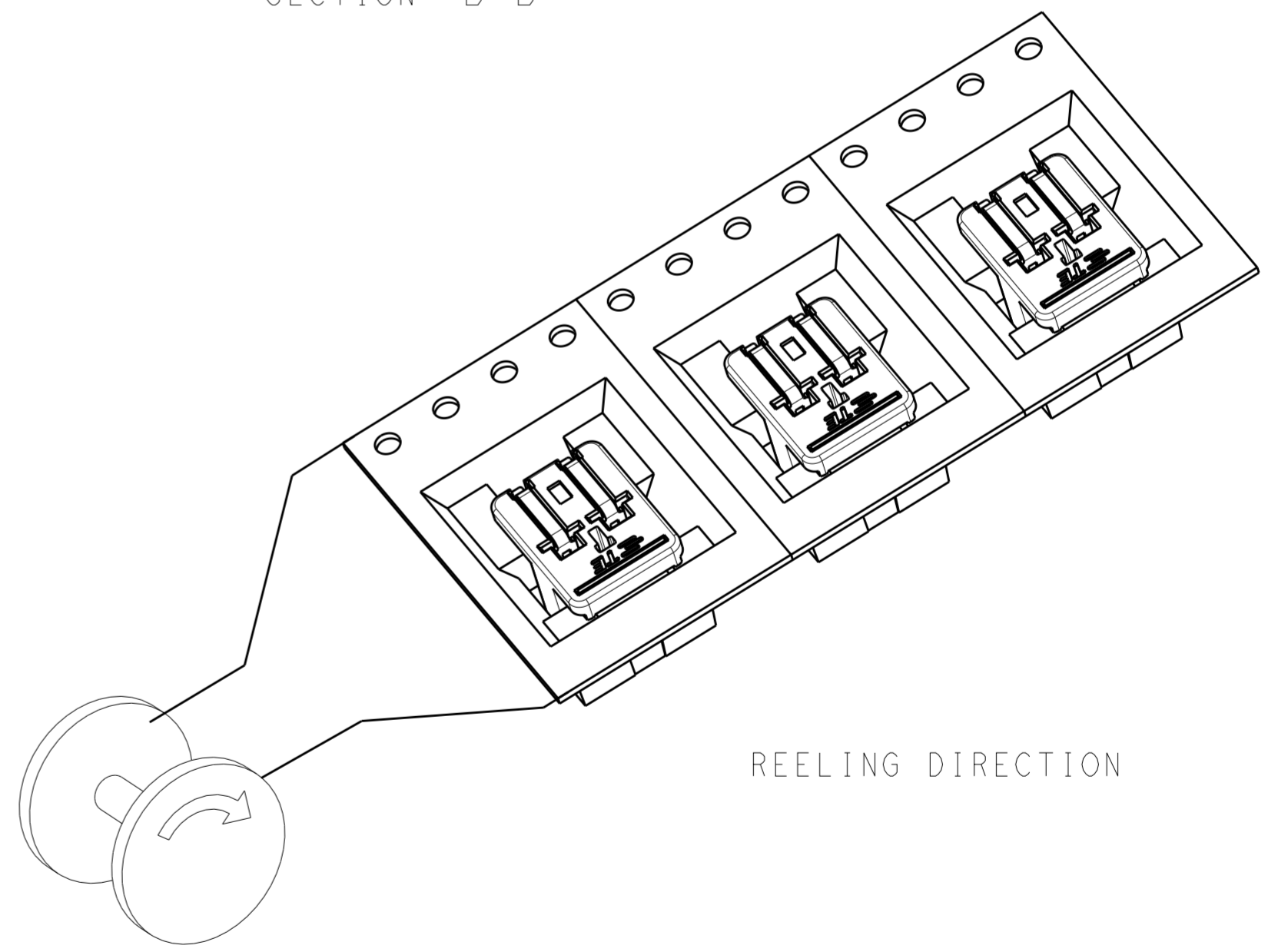
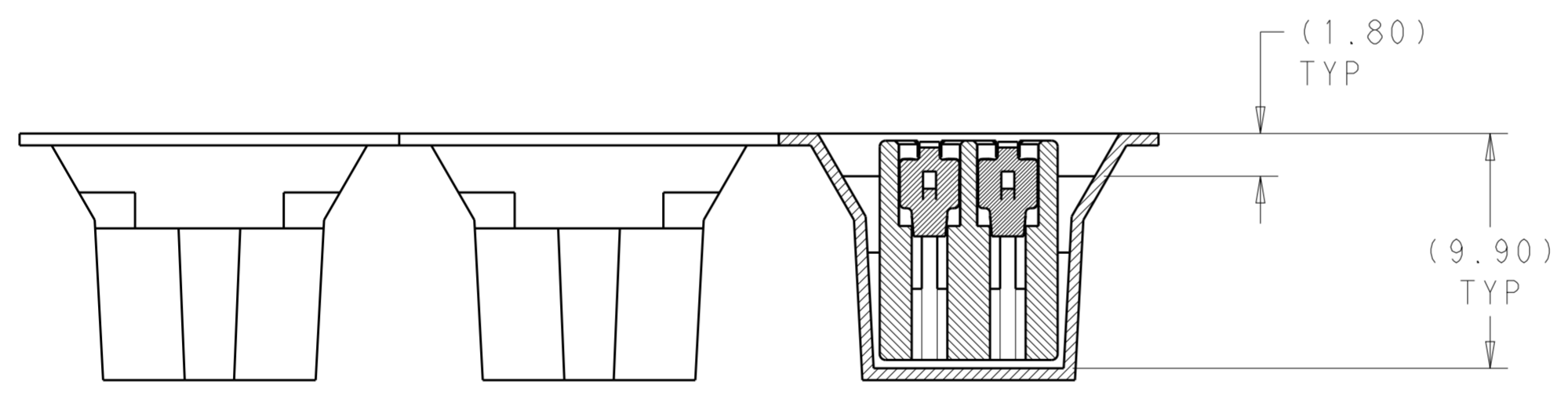
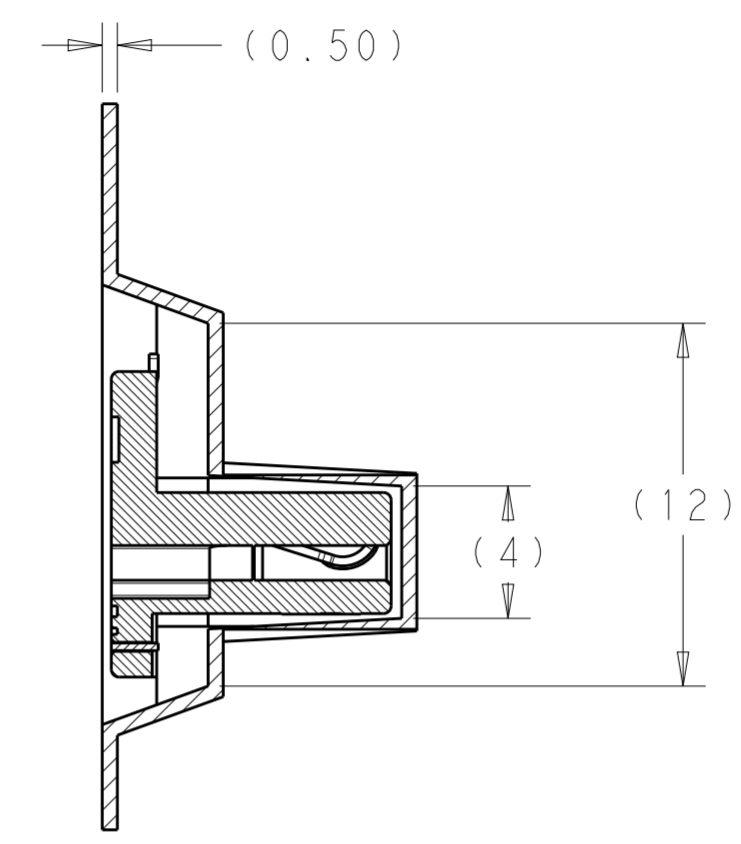
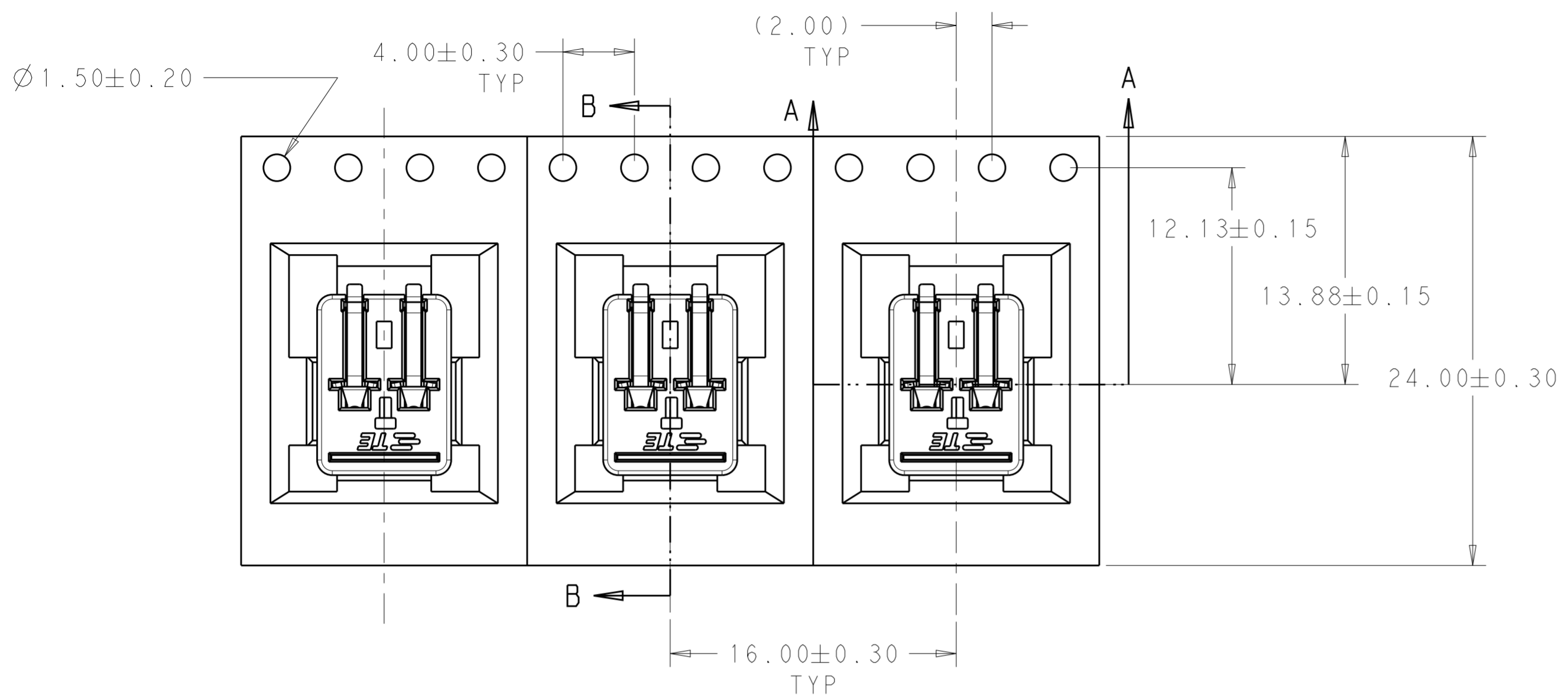


2213188-2, -4
SCALE 10:1

THIS DRAWING IS A CONTROLLED DOCUMENT.		DWN C. DAILY 25OCT2012	STE TE Connectivity	
		CHK C. GINGRICH 25OCT2012		
DIMENSIONS: mm		TOLERANCES UNLESS OTHERWISE SPECIFIED:		NAME ASSEMBLY, CARD EDGE INVERTED THROUGH BOARD
0 PLC ±		1 PLC ±0.2		PRODUCT SPEC 108-32041
1 PLC ±0.15		2 PLC ±		APPLICATION SPEC 114-32054
2 PLC ±		3 PLC ±		SIZE A200779
3 PLC ±		4 PLC ±		CAGE CODE C-2213188
4 PLC ±		ANGLES ±2°		DRAWING NO -
FINISH		MATERIAL		RESTRICTED TO -
-		-		SCALE 7:1 SHEET 3 OF 4 REV A
-		CUSTOMER DRAWING		

THIS DRAWING IS UNPUBLISHED. RELEASED FOR PUBLICATION 20
 © COPYRIGHT 20 BY - ALL RIGHTS RESERVED.

LOC		DIST		REVISIONS			
P	LTR	DESCRIPTION	DATE	DWN	APVD		
-	-	SEE SHEET 1	-	-	-		



PACKAGING FOR 2213188-1 SHOWN

SECTION A-A

SECTION B-B

REELING DIRECTION

THIS DRAWING IS A CONTROLLED DOCUMENT.		DWN C. DAILY 25OCT2012	STE TE Connectivity	
		CHK C. GINGRICH 25OCT2012		
DIMENSIONS: mm		TOLERANCES UNLESS OTHERWISE SPECIFIED:		NAME ASSEMBLY, CARD EDGE INVERTED THROUGH BOARD
<ul style="list-style-type: none"> 0 PLC ± 1 PLC ±0.2 2 PLC ±0.15 3 PLC ± 4 PLC ± ANGLES ±2° FINISH 		PRODUCT SPEC 108-32041	SIZE 114-32054	RESTRICTED TO
MATERIAL		APVD	APPLICATION SPEC 114-32054	SIZE A200779
		APVD	WEIGHT	DRAWING NO C-2213188
		CUSTOMER DRAWING	SCALE 7:1	SHEET 4 OF 4
				REV A

X-ON Electronics

Largest Supplier of Electrical and Electronic Components

Click to view similar products for [Lighting Connectors](#) category:

Click to view products by [TE Connectivity](#) manufacturer:

Other Similar products are found below :

[293300-7](#) [293660-5](#) [CNX_H03_NTP](#) [30-9767-BU](#) [3605](#) [3-21030-1](#) [ZCH-110-RGB-I](#) [503471-0290](#) [ZCH-110-RGB-J](#) [217-0716-200](#)
[1954563-1](#) [1-293657-2](#) [2834036-1](#) [2834037-1](#) [1-2213222-4](#) [2-2213222-4](#) [2213222-4](#) [2834122-3](#) [2834122-5](#) [2834135-2](#) [FLA-R4142-30](#)
[FLA-R4162-30](#) [FLA-R2142-30](#) [FLA-R2141-30](#) [FLA-R2162-30](#) [FLA-R2161-30](#) [FLA-R0161-30](#) [FLA-R0141-30](#) [FLA-R0142-30](#) [FLA-](#)
[R0162-30](#) [FLA-C00-00](#) [DGA00010553](#) [CNXV04NTP](#) [104128-0610](#) [503485-0000 \(Cut Strip\)](#) [503485-0000 \(Loose Piece\)](#) [503485-0000](#)
[\(MINI Reel\)](#) [1-2834074-2](#) [1-2834074-3](#) [1357-AC PLUG W2C \(CHINA\)](#) [1357-AC PLUG W2 \(USA\)](#) [104266-0110](#) [2106212-1](#) [2-2834074-2](#)
[104266-0210](#) [293470-1](#) [293651-2](#) [293651-4](#) [1-2834006-2](#) [293651-1](#)