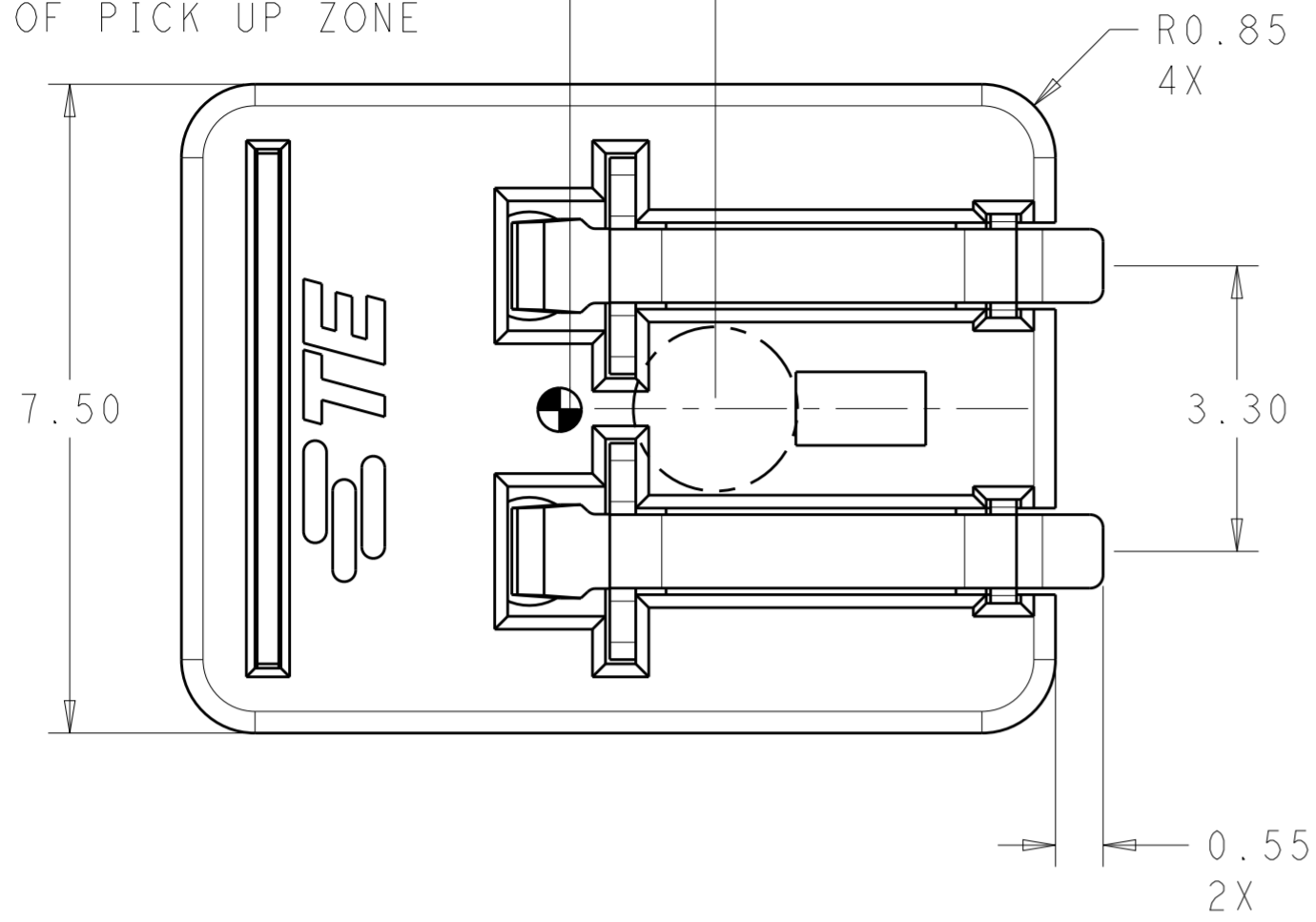


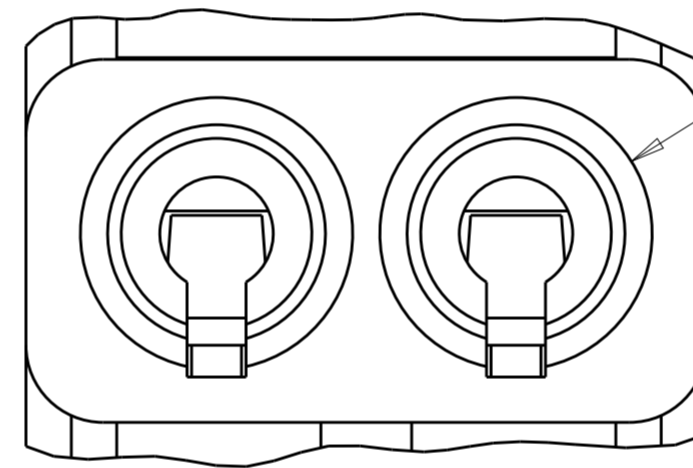
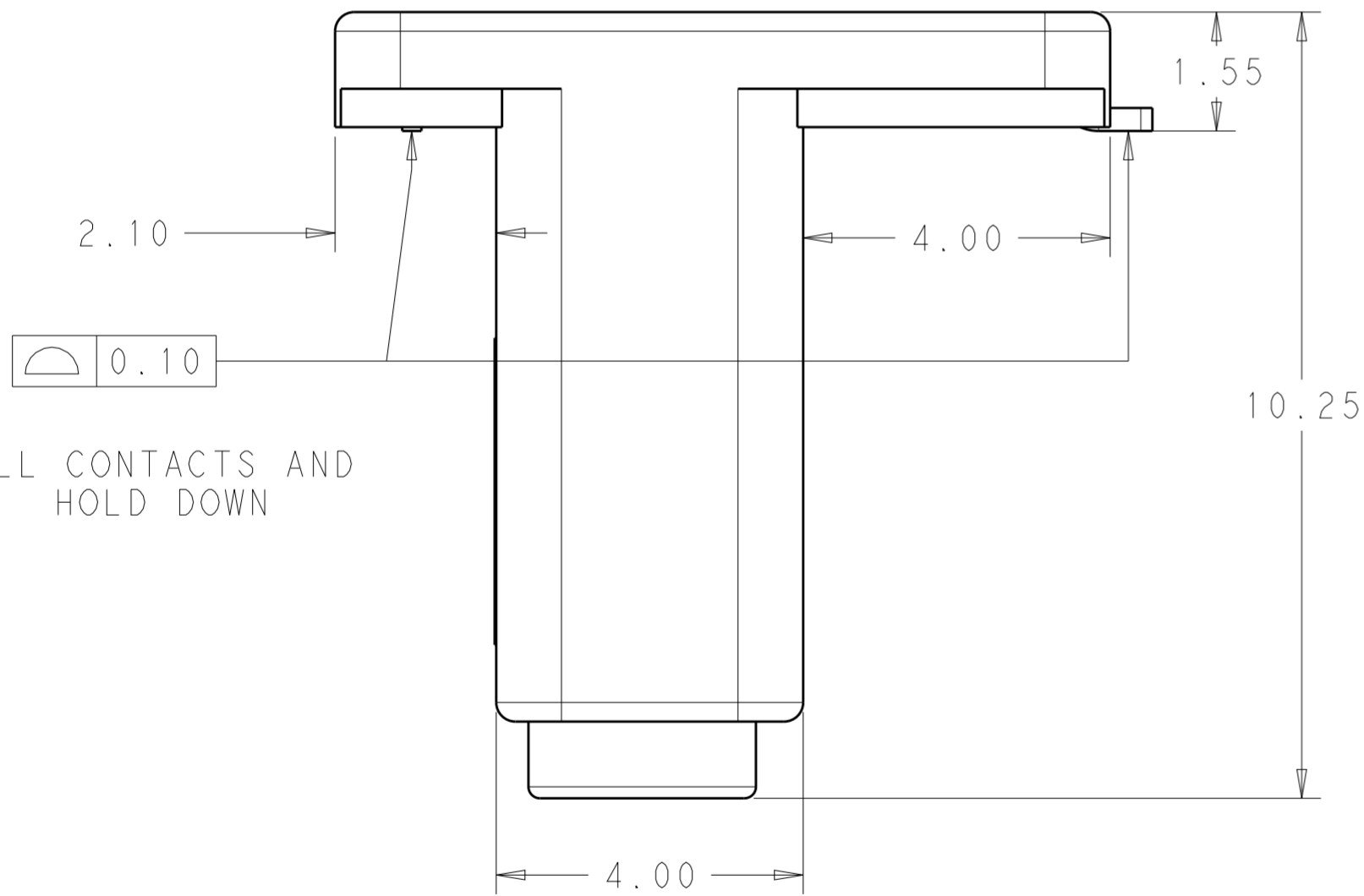
THIS DRAWING IS UNPUBLISHED. RELEASED FOR PUBLICATION 20
 © COPYRIGHT 20 BY - ALL RIGHTS RESERVED.

| LOC | | DIST | | REVISIONS | | | |
|-----|-----|---------------------------|-----------|-----------|------|--|--|
| P | LTR | DESCRIPTION | DATE | DWN | APVD | | |
| | A | REVISED PER ECR-16-004597 | 12APR2016 | RS | DD | | |

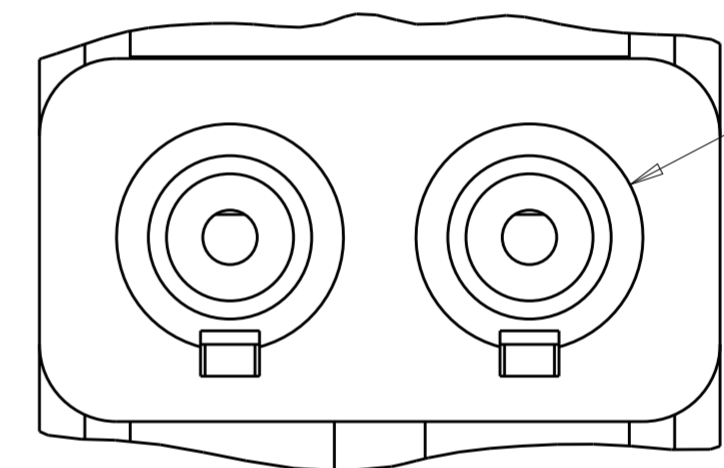
1.68 DISTANCE FROM COG TO CENTER OF PICK UP ZONE



- 1 MATERIALS AND FINISH:
 -HOUSING AND COVER: THERMOPLASTIC, COLOR: NATURAL
 -CONTACTS: COPPER ALLOY, FINISH: Sn OVER Ni
 -HOLD DOWN: COPPER ALLOY, FINISH: Sn OVER Ni
- 2. MUST COMPLY WITH DIRECTIVE 2002/95/EC (ROHS)
- 3. NOTE DELETED.
- 4 TO BE USED WITH UL1007 WIRE 22-18AWG SOLID, 20-18 AWG BONDED, 18 AWG STRANDED.
- 5. PACKAGED IN TAPE AND REEL
- 6 TO BE USED WITH UL1007 WIRE 26-24 AWG SOLID.
- 7 DIMENSION SHOWN IS RECOMMENDED SOLDER MASK OPENING



2213189-1, -3



2213189-2, -4

2213189-1, -2

| | | | | |
|---------|-------|-------------|------------|-----------|
| 26-24 | ∅2.50 | WITH COVER | 6 | 2213189-4 |
| 22-18 | ∅3.00 | WITH COVER | 4 | 2213189-3 |
| 26-24 | ∅2.50 | W/O COVER | 6 | 2213189-2 |
| 22-18 | ∅3.00 | W/O COVER | 4 | 2213189-1 |
| MARKING | DIM X | DESCRIPTION | WIRE RANGE | PART NO. |

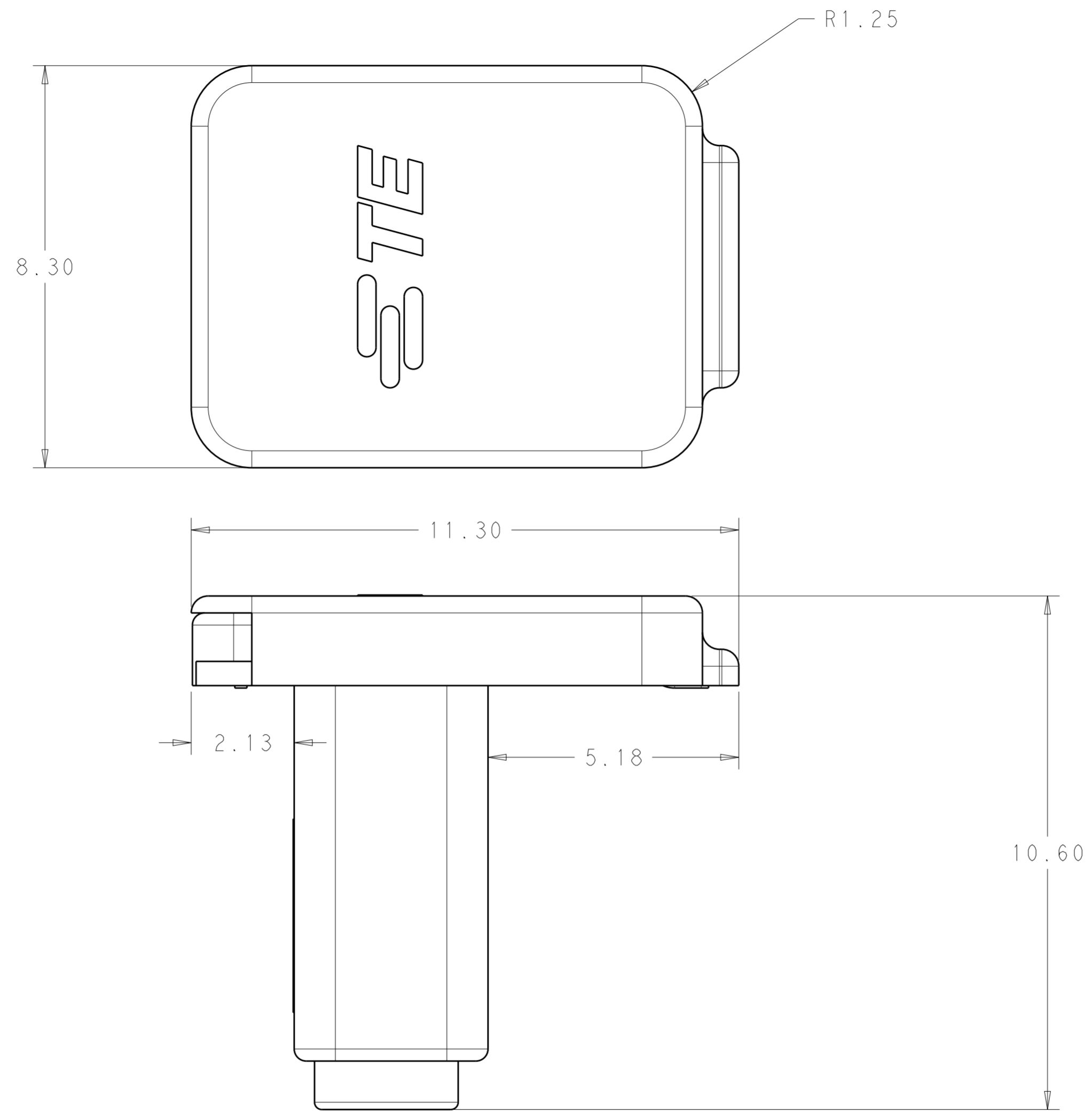
SEE VIEW E

THIS DRAWING IS A CONTROLLED DOCUMENT.

| | |
|---------------------------------|---------------------------------------------|
| DWN C. DAILY 25OCT2012 | TE Connectivity |
| CHK C. GINGRICH 25OCT2012 | |
| APVD | NAME |
| PRODUCT SPEC 108-32040 | ASSEMBLY, POKE-IN INVERTED THROUGH BOARD |
| APPLICATION SPEC 114-32054 | RESTRICTED TO |
| WEIGHT | SIZE CAGE CODE DRAWING NO |
| CUSTOMER DRAWING | A200779 C-2213189 |
| SCALE 6:1 | SHEET 1 OF 4 |
| | REV A |

THIS DRAWING IS UNPUBLISHED. RELEASED FOR PUBLICATION 20
 © COPYRIGHT 20 BY - ALL RIGHTS RESERVED.

| LOC | DIST | REVISIONS | | | |
|-----|------|-------------|------|-----|------|
| P | LTR | DESCRIPTION | DATE | DWN | APVD |
| - | - | SEE SHEET 1 | - | - | - |
| | | | | | |
| | | | | | |

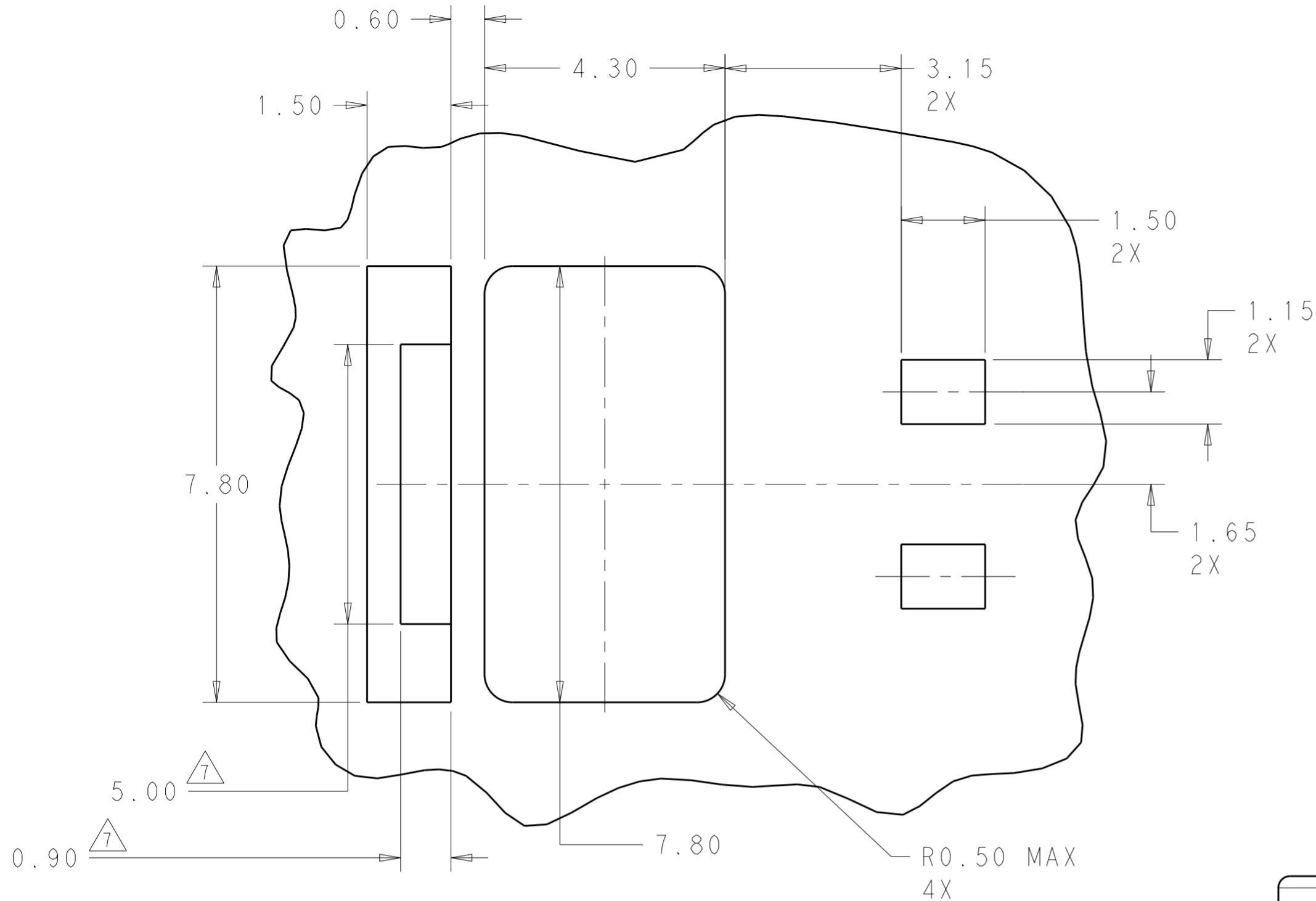


2213189-3, -4

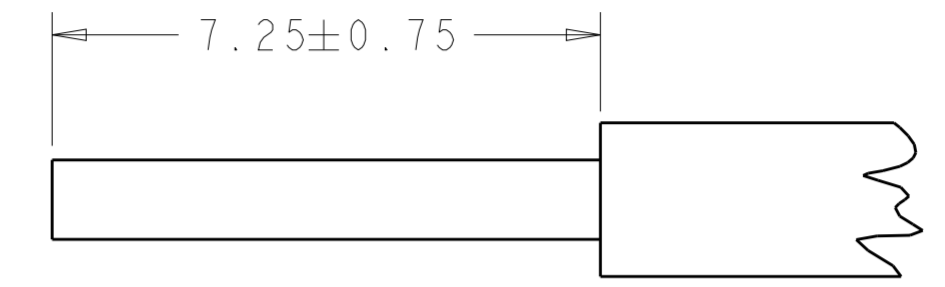
| | | | | |
|---------------------------------------------------------------------------------------------------------------------------------|--|---------------------------------|-----------------------------------------------------|-------------------------|
| THIS DRAWING IS A CONTROLLED DOCUMENT. | | DWN C. DAILY 25OCT2012 | STE TE Connectivity | |
| | | CHK C. GINGRICH 25OCT2012 | | |
| DIMENSIONS: mm | | APVD - | NAME ASSEMBLY, POKE-IN INVERTED THROUGH BOARD | |
| TOLERANCES UNLESS OTHERWISE SPECIFIED: 0 PLC ± 1 PLC ±0.2 2 PLC ±0.15 3 PLC ± 4 PLC ± ANGLES ±2A* FINISH - | | PRODUCT SPEC 108-32040 | RESTRICTED TO - | |
| MATERIAL - | | APPLICATION SPEC 114-32054 | SIZE A200779 | DRAWING NO C-2213189 |
| | | WEIGHT - | SCALE 6:1 SHEET 2 OF 4 REV A | |
| | | Customer Drawing | | |

THIS DRAWING IS UNPUBLISHED. RELEASED FOR PUBLICATION 20
 © COPYRIGHT 20 BY - ALL RIGHTS RESERVED.

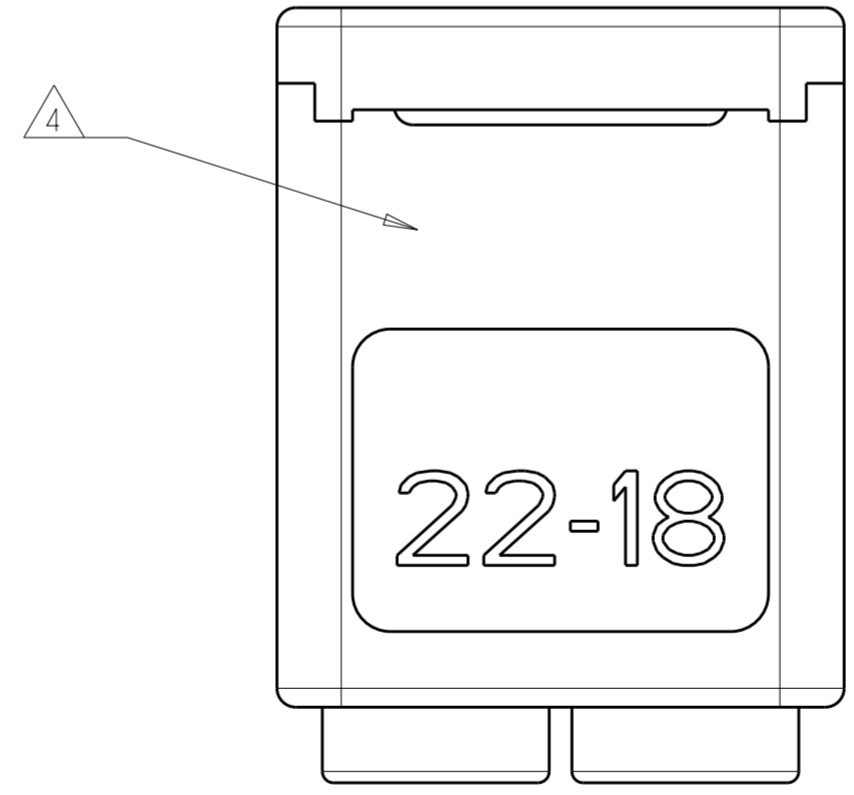
| LOC | | DIST | | REVISIONS | | | |
|-----|-----|-------------|--|-----------|-----|------|--|
| P | LTR | DESCRIPTION | | DATE | DWN | APVD | |
| - | - | SEE SHEET 1 | | - | - | - | |
| | | | | | | | |
| | | | | | | | |



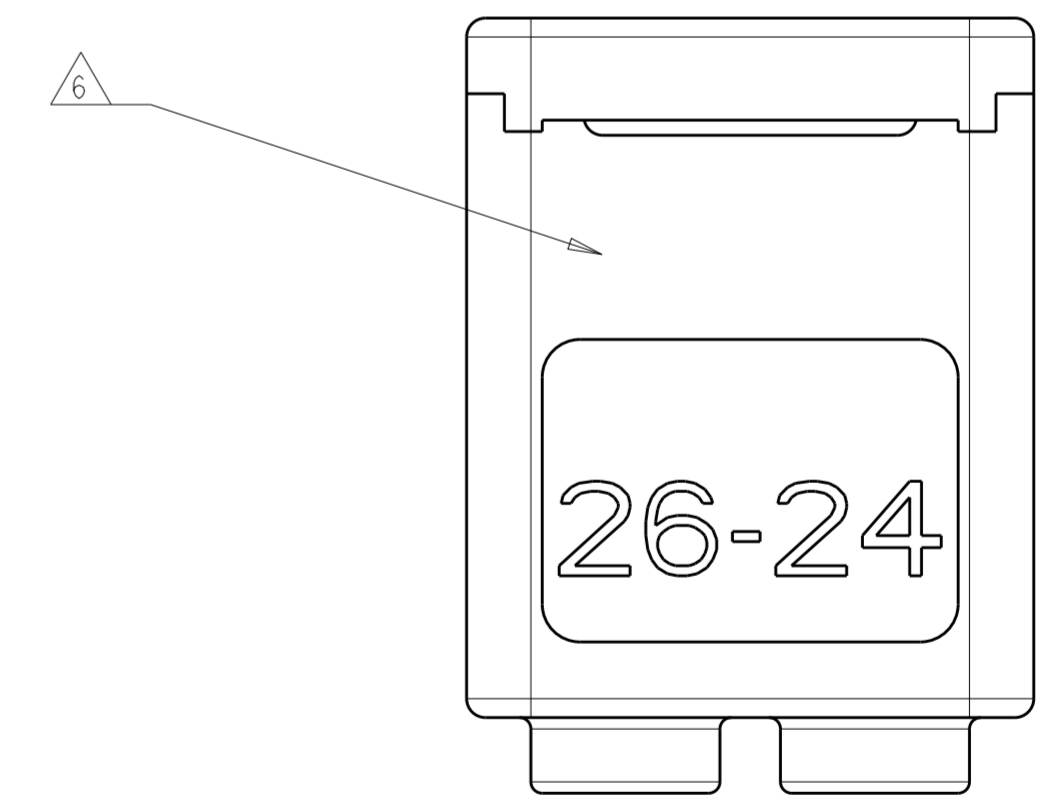
MOUNTING PCB LAYOUT
SCALE 12:1



WIRE PREPARATION DETAIL
SCALE 10:1



2213189-1, -3
SCALE 10:1

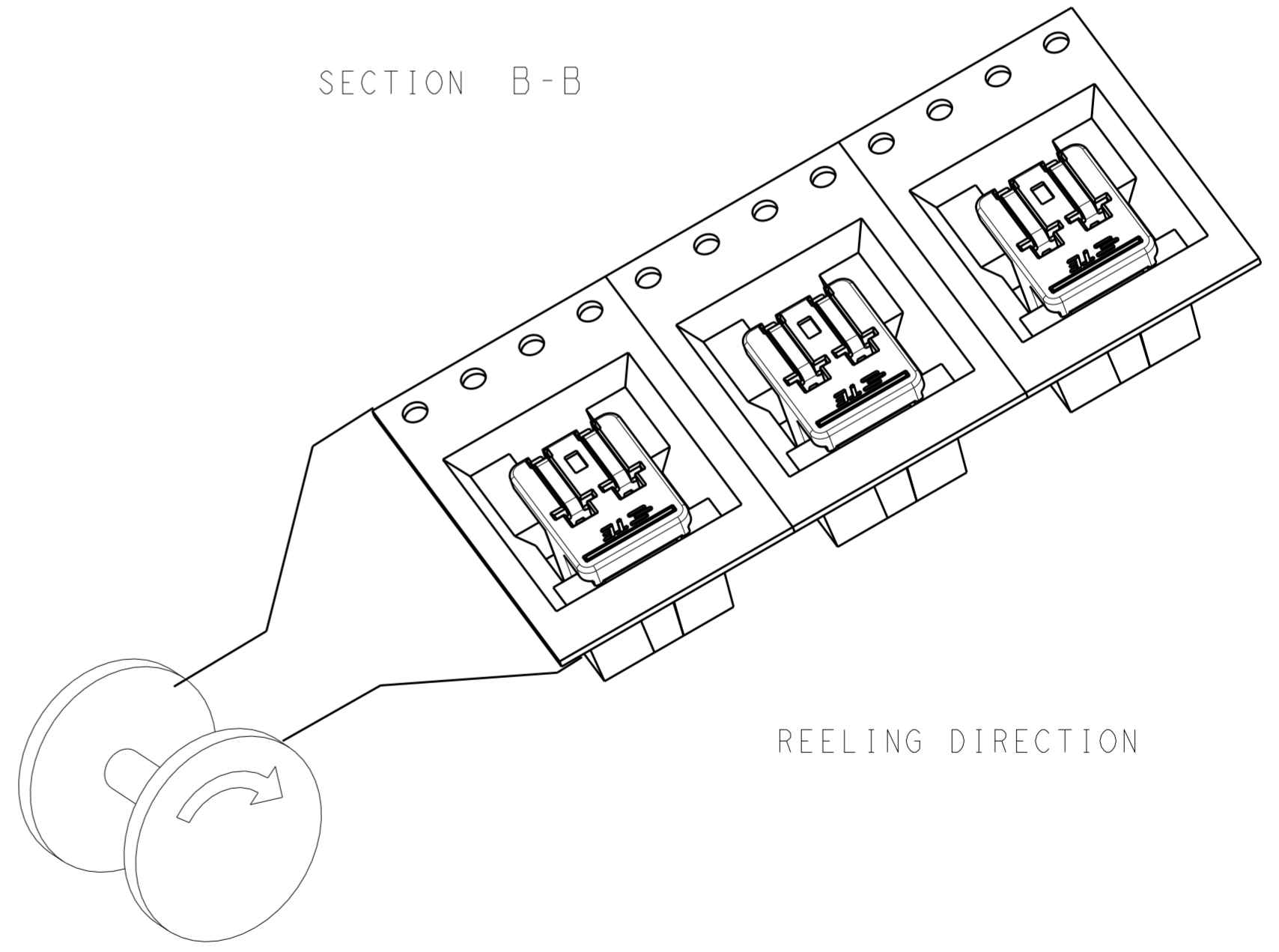
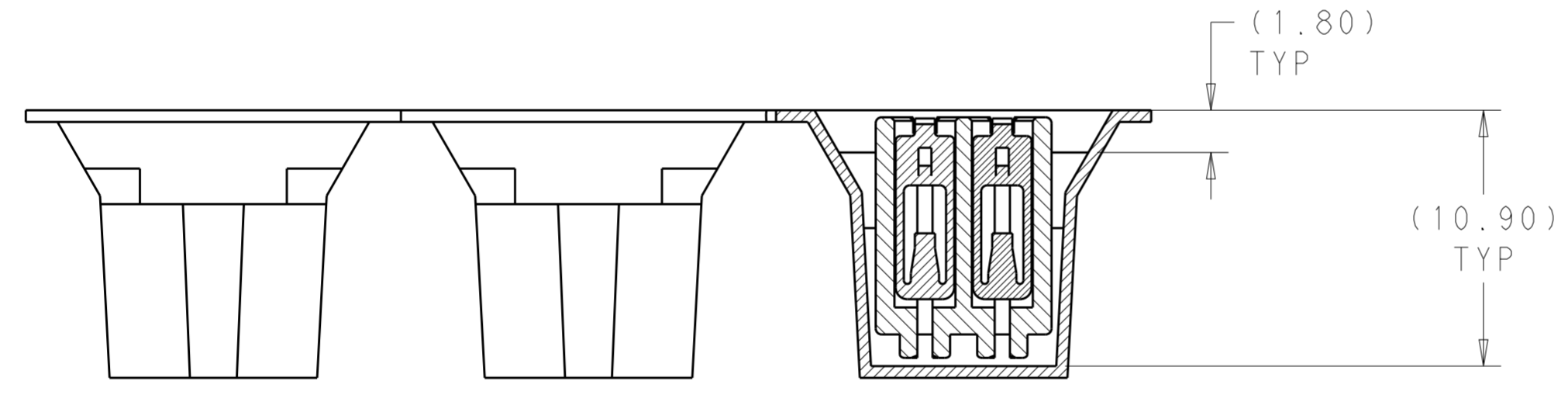
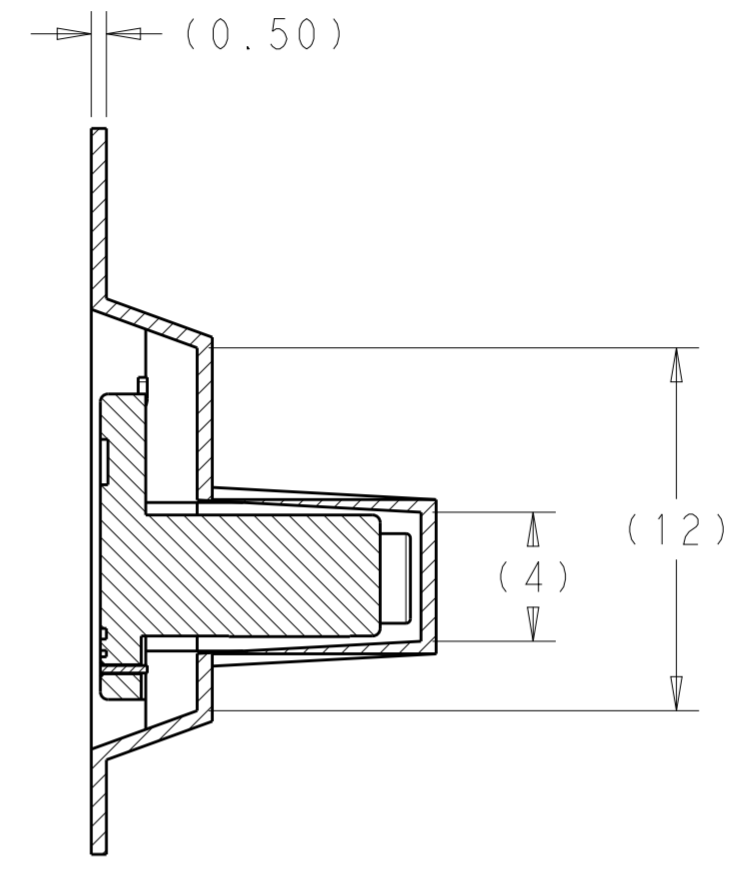
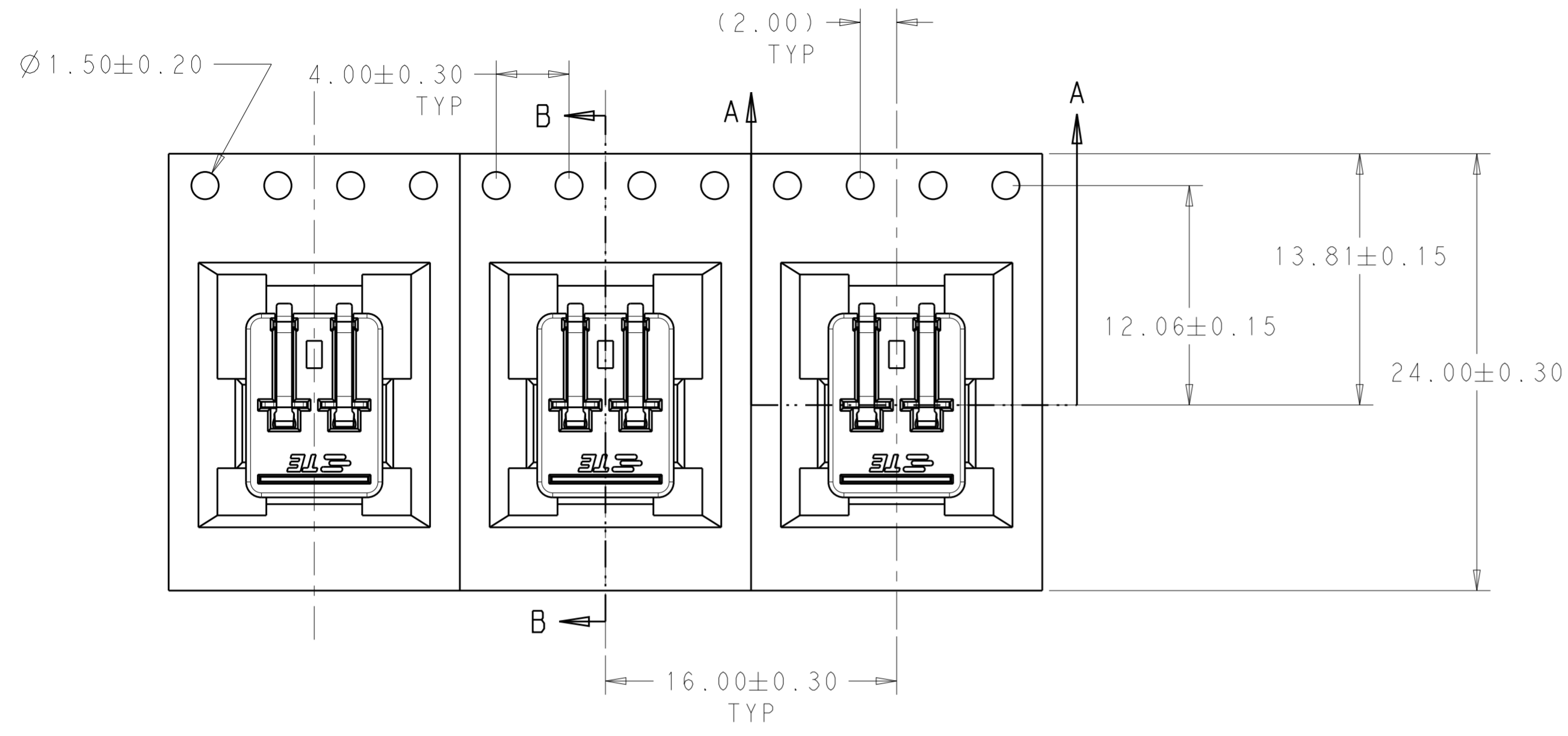


2213189-2, -4
SCALE 10:1

| | | | | | | | | | | | | | | | | | | | | | | | | | |
|-------------------------------------------------------------------------------------------------------------------------------------------------------------------------------------------------------------------------------------------------------------------------------------------------------------------------------------------------------------|-------|----------------------------------------|----------------------------|--------------------|-------------------------|------|---|-------|-------|---|-------|---|---|-------|---|---|--------|------|---|--------|---|---|---------------------------|-----------------------------------------------------|--|
| THIS DRAWING IS A CONTROLLED DOCUMENT. | | DWN C. DAILY 25OCT2012 | STE TE Connectivity | | | | | | | | | | | | | | | | | | | | | | |
| | | CHK C. GINGRICH 25OCT2012 | | | | | | | | | | | | | | | | | | | | | | | |
| DIMENSIONS: mm | | TOLERANCES UNLESS OTHERWISE SPECIFIED: | | APVD - | | | | | | | | | | | | | | | | | | | | | |
| <table border="0"> <tr><td>0 PLC</td><td>±</td><td>-</td></tr> <tr><td>1 PLC</td><td>±0.2</td><td>-</td></tr> <tr><td>2 PLC</td><td>±0.15</td><td>-</td></tr> <tr><td>3 PLC</td><td>±</td><td>-</td></tr> <tr><td>4 PLC</td><td>±</td><td>-</td></tr> <tr><td>ANGLES</td><td>±2A°</td><td>-</td></tr> <tr><td>FINISH</td><td>-</td><td>-</td></tr> </table> | | 0 PLC | ± | - | 1 PLC | ±0.2 | - | 2 PLC | ±0.15 | - | 3 PLC | ± | - | 4 PLC | ± | - | ANGLES | ±2A° | - | FINISH | - | - | PRODUCT SPEC 108-32040 | NAME ASSEMBLY, POKE-IN INVERTED THROUGH BOARD | |
| 0 PLC | ± | - | | | | | | | | | | | | | | | | | | | | | | | |
| 1 PLC | ±0.2 | - | | | | | | | | | | | | | | | | | | | | | | | |
| 2 PLC | ±0.15 | - | | | | | | | | | | | | | | | | | | | | | | | |
| 3 PLC | ± | - | | | | | | | | | | | | | | | | | | | | | | | |
| 4 PLC | ± | - | | | | | | | | | | | | | | | | | | | | | | | |
| ANGLES | ±2A° | - | | | | | | | | | | | | | | | | | | | | | | | |
| FINISH | - | - | | | | | | | | | | | | | | | | | | | | | | | |
| MATERIAL - | | APPLICATION SPEC 114-32054 | SIZE A2 | CAGE CODE 00779 | DRAWING NO C-2213189 | | | | | | | | | | | | | | | | | | | | |
| | | WEIGHT - | RESTRICTED TO - | | | | | | | | | | | | | | | | | | | | | | |
| | | Customer Drawing | SCALE 2:1 | SHEET 3 OF 4 | REV A | | | | | | | | | | | | | | | | | | | | |

THIS DRAWING IS UNPUBLISHED. RELEASED FOR PUBLICATION 20
 © COPYRIGHT 20 BY - ALL RIGHTS RESERVED.

| LOC | | DIST | | REVISIONS | | | | |
|-----|-----|-------------|--|-----------|------|-----|------|--|
| P | LTR | DESCRIPTION | | | DATE | DWN | APVD | |
| - | - | SEE SHEET 1 | | | - | - | - | |
| | | | | | | | | |
| | | | | | | | | |



PACKAGING FOR 2213189-1 SHOWN

| | | | | | | | | | | | | | | | | | | | | | | | | | |
|------------------------------------------------------------------------------------------------------------------------------------------------------------------------------------------------------------------------------------------------------------------------------------------------------------------------------------------------------------------|---|----------------------------------------|----------------------------|-----------------------------------------------------|-------|---|------|-------|---|------|-------|---|------|-------|---|------|--------|---|----|--------|---|---|-----------|---------------------------|-----------------|
| THIS DRAWING IS A CONTROLLED DOCUMENT. | | DWN C. DAILY 25OCT2012 | STE TE Connectivity | | | | | | | | | | | | | | | | | | | | | | |
| | | CHK C. GINGRICH 25OCT2012 | | | | | | | | | | | | | | | | | | | | | | | |
| DIMENSIONS: mm | | TOLERANCES UNLESS OTHERWISE SPECIFIED: | | NAME ASSEMBLY, POKE-IN INVERTED THROUGH BOARD | | | | | | | | | | | | | | | | | | | | | |
| <table border="0"> <tr><td>0 PLC</td><td>±</td><td>0.2</td></tr> <tr><td>1 PLC</td><td>±</td><td>0.15</td></tr> <tr><td>2 PLC</td><td>±</td><td>0.15</td></tr> <tr><td>3 PLC</td><td>±</td><td>0.15</td></tr> <tr><td>4 PLC</td><td>±</td><td>0.15</td></tr> <tr><td>ANGLES</td><td>±</td><td>2°</td></tr> <tr><td>FINISH</td><td>-</td><td>-</td></tr> </table> | | 0 PLC | ± | 0.2 | 1 PLC | ± | 0.15 | 2 PLC | ± | 0.15 | 3 PLC | ± | 0.15 | 4 PLC | ± | 0.15 | ANGLES | ± | 2° | FINISH | - | - | APVD - | PRODUCT SPEC 108-32040 | SIZE A200779 |
| 0 PLC | ± | 0.2 | | | | | | | | | | | | | | | | | | | | | | | |
| 1 PLC | ± | 0.15 | | | | | | | | | | | | | | | | | | | | | | | |
| 2 PLC | ± | 0.15 | | | | | | | | | | | | | | | | | | | | | | | |
| 3 PLC | ± | 0.15 | | | | | | | | | | | | | | | | | | | | | | | |
| 4 PLC | ± | 0.15 | | | | | | | | | | | | | | | | | | | | | | | |
| ANGLES | ± | 2° | | | | | | | | | | | | | | | | | | | | | | | |
| FINISH | - | - | | | | | | | | | | | | | | | | | | | | | | | |
| MATERIAL - | | APPLICATION SPEC 114-32054 | WEIGHT - | DRAWING NO C-2213189 | | | | | | | | | | | | | | | | | | | | | |
| | | Customer Drawing | | RESTRICTED TO - | | | | | | | | | | | | | | | | | | | | | |
| | | SCALE 2:1 | SHEET 4 OF 4 | REV A | | | | | | | | | | | | | | | | | | | | | |

X-ON Electronics

Largest Supplier of Electrical and Electronic Components

Click to view similar products for [Lighting Connectors](#) category:

Click to view products by [TE Connectivity](#) manufacturer:

Other Similar products are found below :

[293300-7](#) [293660-5](#) [CNX_H03_NTP](#) [30-9767-BU](#) [3605](#) [3-21030-1](#) [ZCH-110-RGB-I](#) [503471-0290](#) [ZCH-110-RGB-J](#) [217-0716-200](#)
[1954563-1](#) [1-293657-2](#) [2834036-1](#) [2834037-1](#) [1-2213222-4](#) [2-2213222-4](#) [2213222-4](#) [2834122-3](#) [2834122-5](#) [2834135-2](#) [FLA-R4142-30](#)
[FLA-R4162-30](#) [FLA-R2142-30](#) [FLA-R2141-30](#) [FLA-R2162-30](#) [FLA-R2161-30](#) [FLA-R0161-30](#) [FLA-R0141-30](#) [FLA-R0142-30](#) [FLA-](#)
[R0162-30](#) [FLA-C00-00](#) [DGA00010553](#) [CNXV04NTP](#) [104128-0610](#) [503485-0000 \(Cut Strip\)](#) [503485-0000 \(Loose Piece\)](#) [503485-0000](#)
[\(MINI Reel\)](#) [1-2834074-2](#) [1-2834074-3](#) [1357-AC PLUG W2C \(CHINA\)](#) [1357-AC PLUG W2 \(USA\)](#) [104266-0110](#) [2106212-1](#) [2-2834074-2](#)
[104266-0210](#) [293470-1](#) [293651-2](#) [293651-4](#) [1-2834006-2](#) [293651-1](#)