

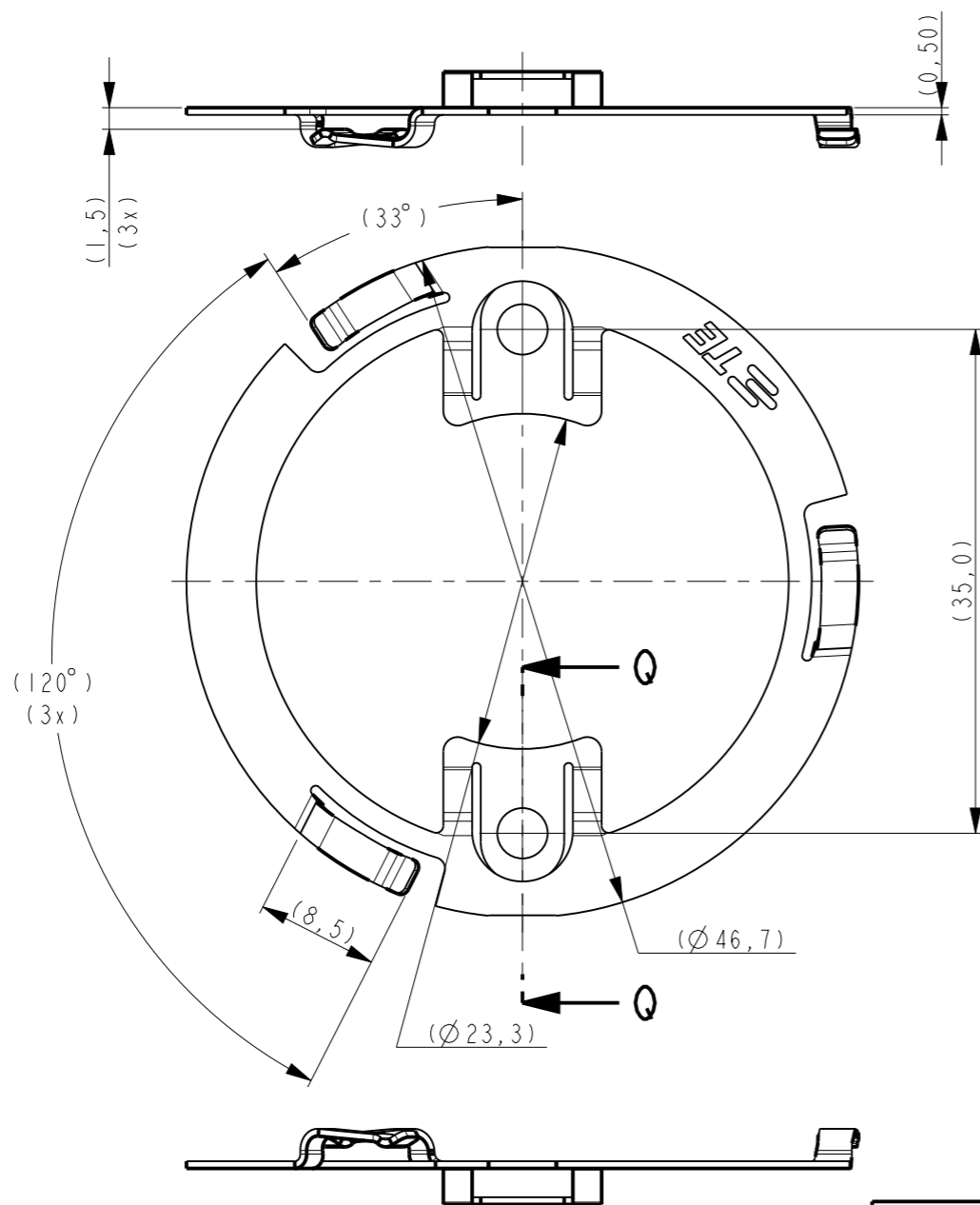
THIS DRAWING IS UNPUBLISHED. RELEASED FOR PUBLICATION

© COPYRIGHT - BY TYCO ELECTRONICS CORPORATION. ALL RIGHTS RESERVED.

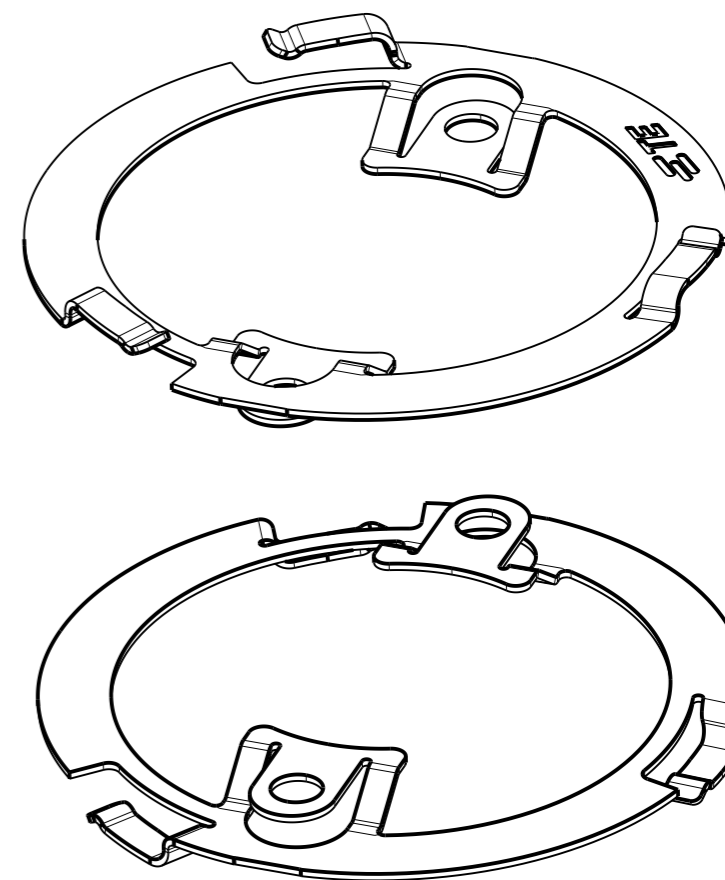
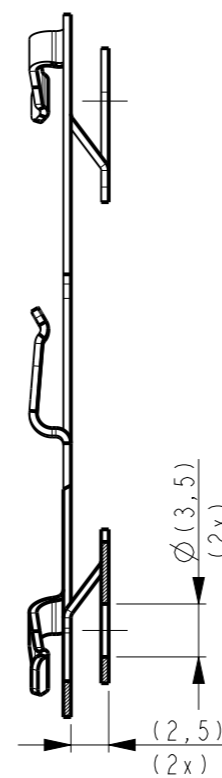
LOC	DIST	REVISIONS					
		P	LTR	DESCRIPTION	DATE	DWN	APVD
H	-		A	RELEASED PER ECR 13-005016	22MAR2013	PP	OL
			A1	REVISED PER ECR-14-000133	22JAN2014	YR	OL

NOTES:

1. MATERIAL: STAINLESS STEEL
2. MUST COMPLY WITH DIRECTIVE 2002/95/EC (ROHS)08 MAX.
3. TO BE USED INLINE WITH z50 ZHAGA COVERS.
4. TO BE USED OPTIC INTERFACE, SEE LAST SHEET.



SECTION Q-Q



PART NUMBER
2213194-1

THIS DRAWING IS A CONTROLLED DOCUMENT.

DIMENSIONS:	TOLERANCES UNLESS OTHERWISE SPECIFIED:
mm	
	0 PLC \pm
	1 PLC \pm
	2 PLC \pm
	3 PLC \pm
	4 PLC \pm
	ANGLES \pm

MATERIAL - FINISH -

DWN P. POORTER 02NOV2012
 CHK O. LEIJNSE 06NOV2012
 APVD O. LEIJNSE 06NOV2012

PRODUCT SPEC -
 APPLICATION SPEC -
 WEIGHT -

CUSTOMER DRAWING



NAME
LUMAWISE LED HOLDER OPTIC CLIP Z50,
TYPE I

SIZE	CAGE CODE	DRAWING NO	RESTRICTED TO
A3	00779	C-2213194	-

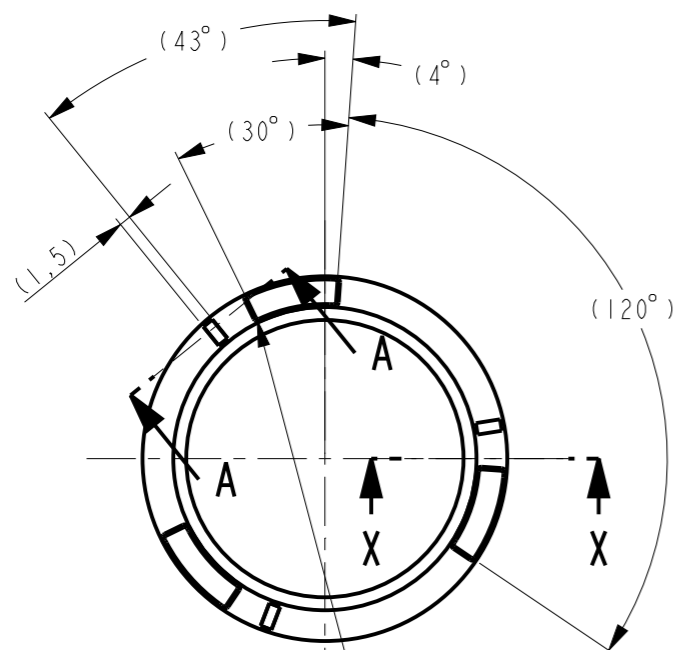
SCALE 2:1 SHEET 1 OF 2 REV A1

THIS DRAWING IS UNPUBLISHED. RELEASED FOR PUBLICATION
 © COPYRIGHT - BY TYCO ELECTRONICS CORPORATION. ALL RIGHTS RESERVED.

LOC	DIST	REVISIONS					
H	-	P	LTR	DESCRIPTION	DATE	DWN	APVD
				SEE SHEET 1			

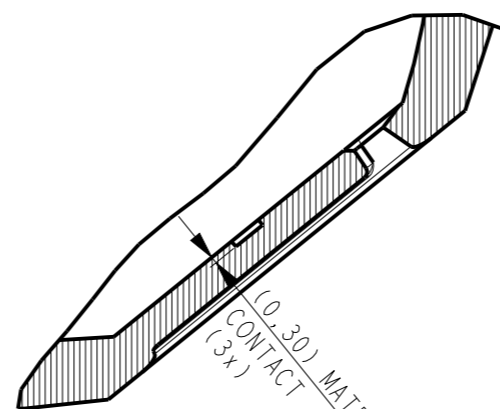
RECOMMENDED OPTIC INTERFACE:

TOP VIEW

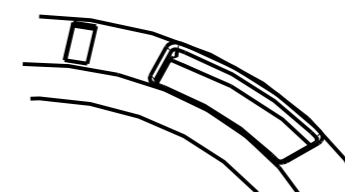


SCALE 1:1

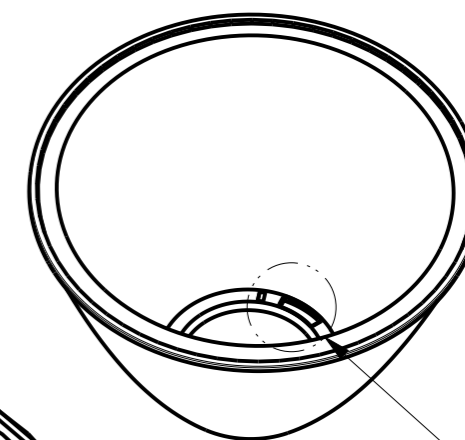
CHAMFER 0.4 MIN. x 45°



SECTION A-A
SCALE 3:1

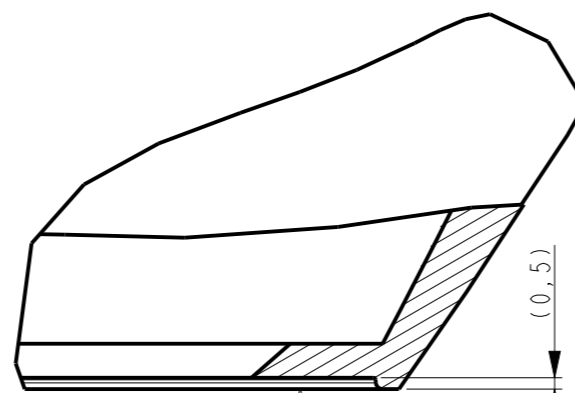
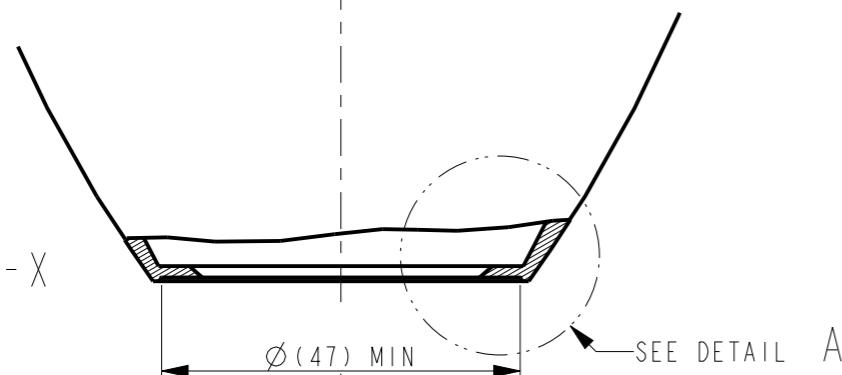


DETAIL B
SCALE 2:1

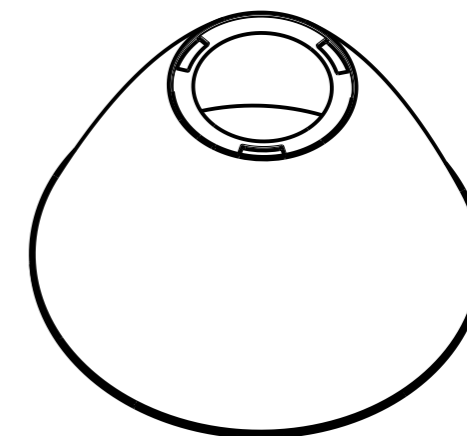


SEE DETAIL B

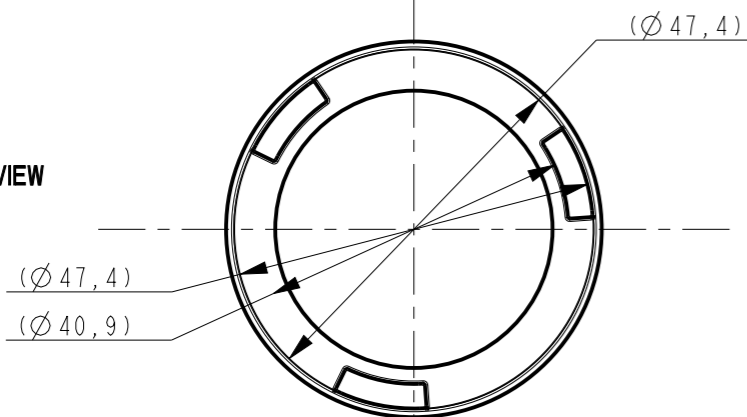
SECTION X-X



DETAIL A
SCALE 3:1

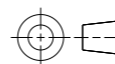


BOTTOM VIEW



THIS DRAWING IS A CONTROLLED DOCUMENT.

DIMENSIONS:
mm



TOLERANCES UNLESS OTHERWISE SPECIFIED:
 0 PLC ±.
 1 PLC ±.
 2 PLC ±.
 3 PLC ±.
 4 PLC ±.
 ANGLES ±.

MATERIAL -

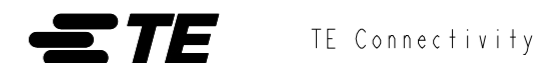
FINISH -

DWN P. POORTER 02NOV2012
 CHK O. LEIJNSE 06NOV2012
 APVD O. LEIJNSE 06NOV2012

PRODUCT SPEC -
 APPLICATION SPEC -

WEIGHT -

CUSTOMER DRAWING



NAME LUMAWISE LED HOLDER OPTIC CLIP Z50, TYPE I

SIZE CAGE CODE DRAWING NO RESTRICTED TO

A3 00779 C-2213194

SCALE 2:1 SHEET 2 OF 2 REV A1

X-ON Electronics

Largest Supplier of Electrical and Electronic Components

Click to view similar products for [LED Lighting Mounting Accessories](#) category:

Click to view products by [TE Connectivity](#) manufacturer:

Other Similar products are found below :

[C16142_HEKLA-SOCKET-K](#) [3SU1401-1BG20-1AA0](#) [3SU1900-0BC31-0NB0](#) [ES16-RT](#) [1SFA616921R2042](#) [1SFA616921R2131](#)
[1SFA616921R2133](#) [1SFA616921R2143](#) [1SFA611621R1093](#) [B8910020](#) [D3980022](#) [E3990022](#) [E3990040](#) [CABI12 E BK 1M SET PRM](#)
[FLAT8 H/U BK 1M SET PRM](#) [BEGTIN12 J/S BK 1M SET PRM](#) [1-2213678-6](#) [C16791_CLAMP-Z45-A](#) [F17250_SOLDER-CLIP-A](#) [CM22-](#)
[4-20MA](#) [CM22-R10K-MT](#) [CM22-R1K](#) [CM22-R50K](#) [CM22-R5K-MT](#) [CM22-SLR](#) [10465](#) [M22-A](#) [M22-CK11](#) [M22-CK20](#) [M22G-XGPV](#)
[M22-K01](#) [M22-LCH-W](#) [M22-LC-R](#) [M22-LED230-R](#) [M22-LED230-W](#) [M22-LEDC230-G](#) [M22-LEDC-G](#) [M22-LEDC-W](#) [M22-LED-G](#)
[M22-LED-W](#) [M22-L-G](#) [M22-LH-G](#) [M22-LH-R](#) [M22-LH-W](#) [M22-L-R](#) [M22-L-W](#) [M22-L-X](#) [M22-MS](#) [M22-R10K](#) [M22-R1K](#)