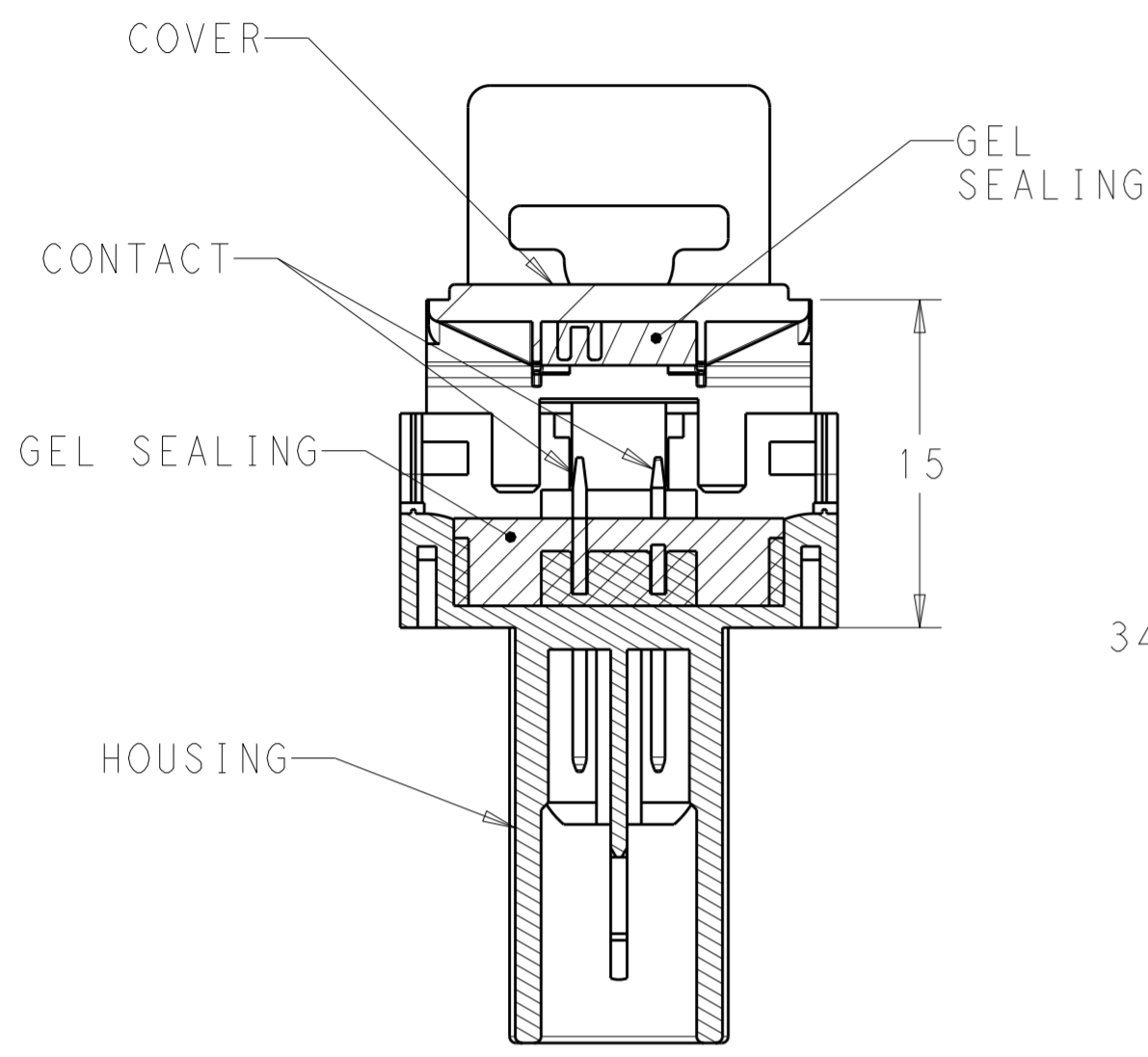
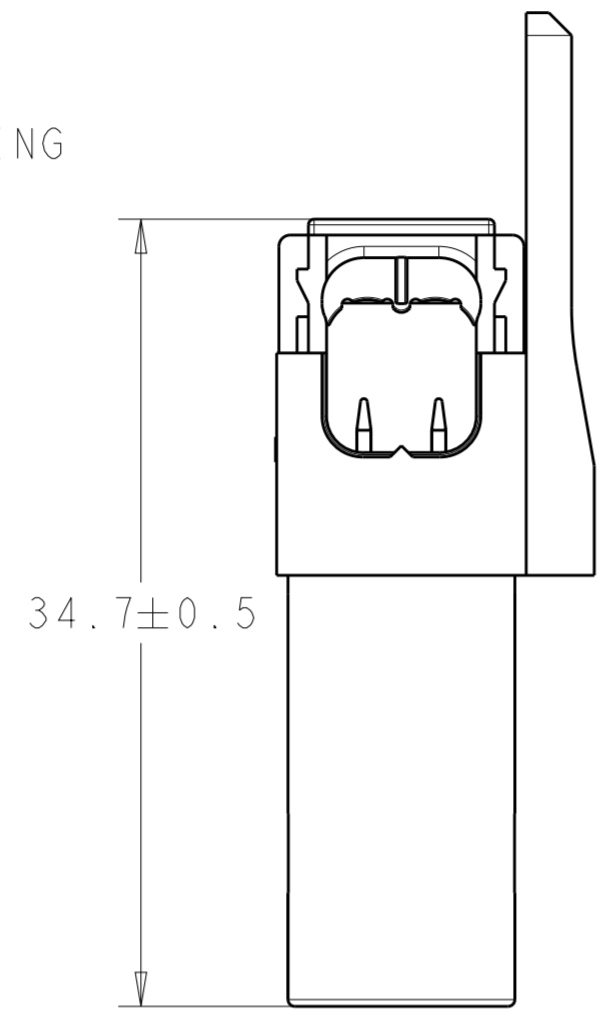


THIS DRAWING IS UNPUBLISHED. RELEASED FOR PUBLICATION 20
 © COPYRIGHT 20 BY - ALL RIGHTS RESERVED.

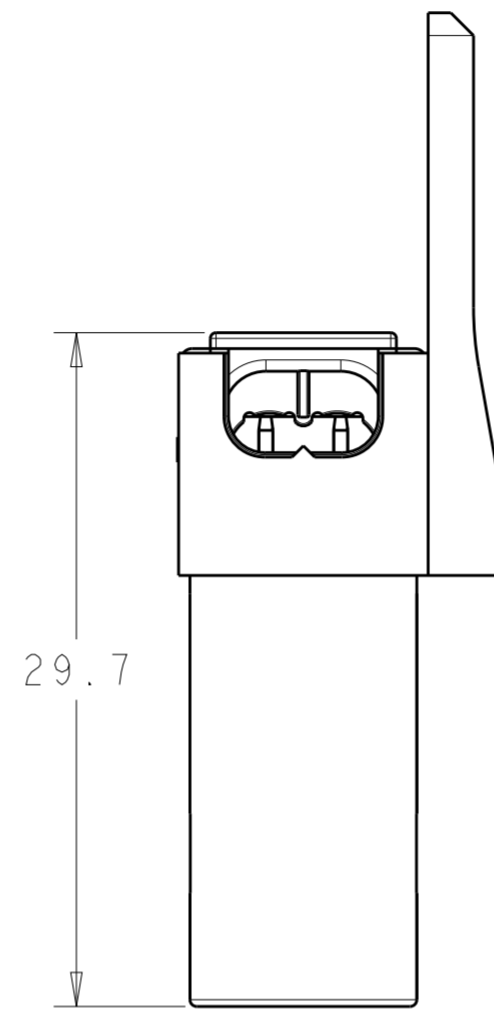
LOC		DIST		REVISIONS			
P	LTR	DESCRIPTION	DATE	DWN	APVD		
	A	REVISED PER ECR-15-010341	24JUL2015	RS	PO		
	A1	REVISED PER ECR-15-011381	05AUG2015	RS	JL		
	B	REVISED PER ECR-17-008257	12JUN2017	SK	JL		



SECTION A-A

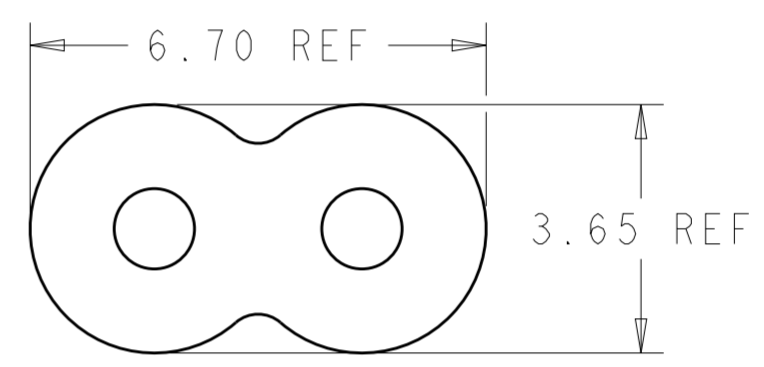


PRE-LOCKING CONDITION

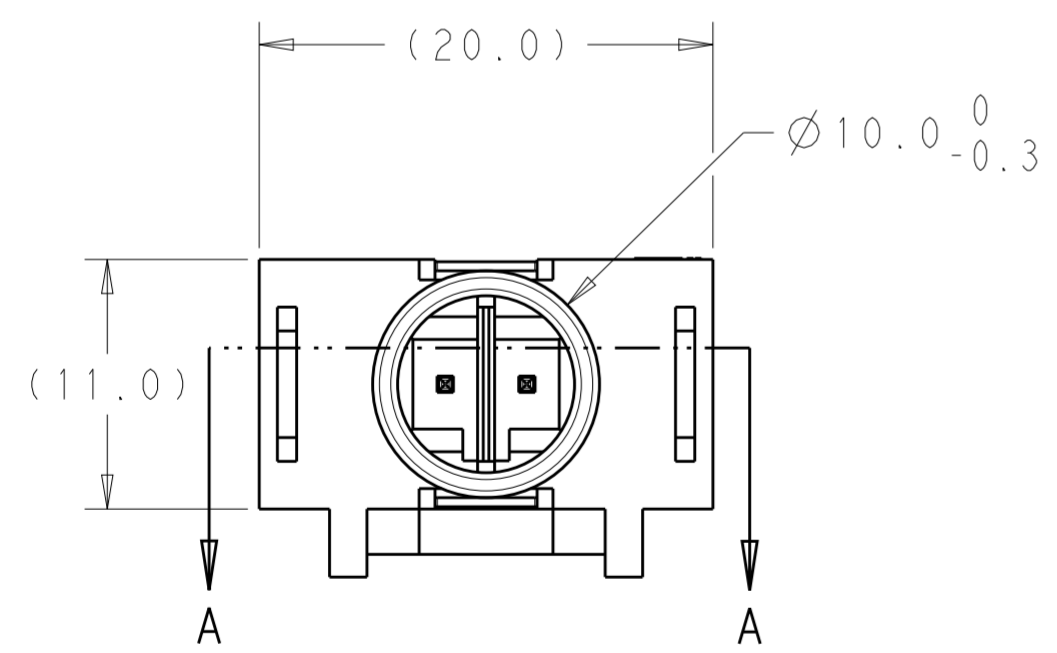


CLOSED CONDITION

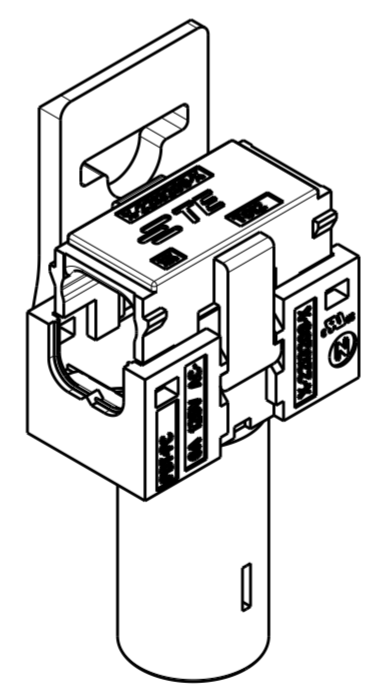
1. MATERIAL AND FINISH:
 HOUSING AND CAP: PBT+PC, COLOR: NATURAL
 CONTACTS: COPPER ALLOY, FINISH: TIN OVER NICKEL
 SEALING GEL: SILICONE DIELECTRIC GEL
2. MUST COMPLY WITH DIRECTIVE 2002/95/EC (ROHS)
3. TO BE USED WITH UL SPT-2, 2/C 18 AWG TYPE WIRE



TYPICAL SPT-2 CABLE



TYPICAL VIEW
 SEE PAGE 3 FOR
 ALL VARIATIONS



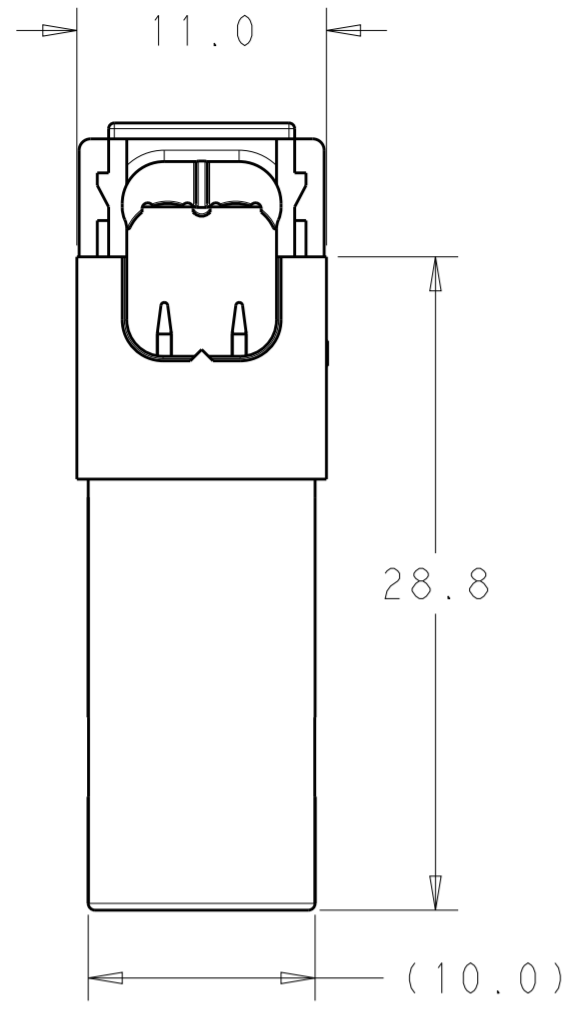
NO	LV-2	END HOUSING, WITHOUT TAB	7-2213222-4	
NO	HV-3	END HOUSING, WITHOUT TAB	7-2213222-1	
NO	LV-2	END HOUSING, WITH TAB	6-2213222-4	
NO	HV-3	END HOUSING, WITH TAB	6-2213222-1	
NO	LV-2	THRU HOUSING, WITHOUT TAB	5-2213222-4	
NO	HV-3	THRU HOUSING, WITHOUT TAB	5-2213222-1	
NO	LV-2	THRU HOUSING, WITH TAB	4-2213222-4	
NO	HV-3	THRU HOUSING, WITH TAB	4-2213222-1	
YES	LV-2	END HOUSING, WITHOUT TAB	3-2213222-4	
YES	HV-3	END HOUSING, WITHOUT TAB	3-2213222-1	
YES	LV-2	END HOUSING, WITH TAB	2-2213222-4	
YES	HV-3	END HOUSING, WITH TAB	2-2213222-1	
YES	LV-2	THRU HOUSING, WITHOUT TAB	1-2213222-4	
YES	HV-3	THRU HOUSING, WITHOUT TAB	1-2213222-1	
YES	LV-2	THRU HOUSING, WITH TAB	2213222-4	
YES	HV-3	THRU HOUSING, WITH TAB	2213222-1	
SEALING GEL		POLARIZATION KEY	HOUSING TYPE	PART NO.

THIS DRAWING IS A CONTROLLED DOCUMENT.

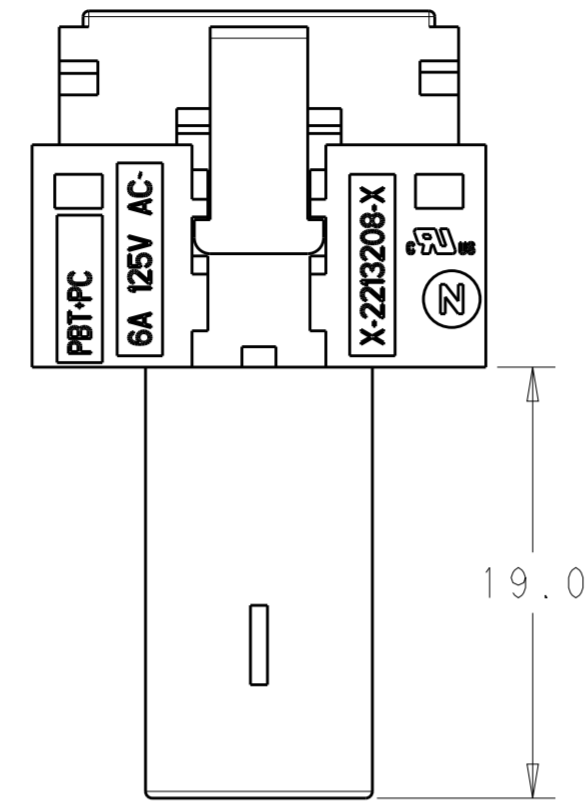
DIMENSIONS:	TOLERANCES UNLESS OTHERWISE SPECIFIED:	DWN	18MAR2013	TE Connectivity ASSEMBLY: NECTOR S BUS BAR NA
mm	0 PLC ±0.5 1 PLC ±0.15 2 PLC ±0.1 3 PLC ± 4 PLC ±	CHK	18MAR2013	
	ANGLES ±1	APVD	18MAR2013	
	FINISH	APVD	18MAR2013	
MATERIAL		PRODUCT SPEC	108-20294	NAME
		APPLICATION SPEC	114-20131	SIZE
		WEIGHT	-	CAGE CODE
		Customer Drawing		DRAWING NO
				RESTRICTED TO
				A200779
				C-2213222
				SCALE
				2
				SHEET
				1
				OF
				3
				REV
				B

THIS DRAWING IS UNPUBLISHED. RELEASED FOR PUBLICATION 20
 © COPYRIGHT 20 BY - ALL RIGHTS RESERVED.

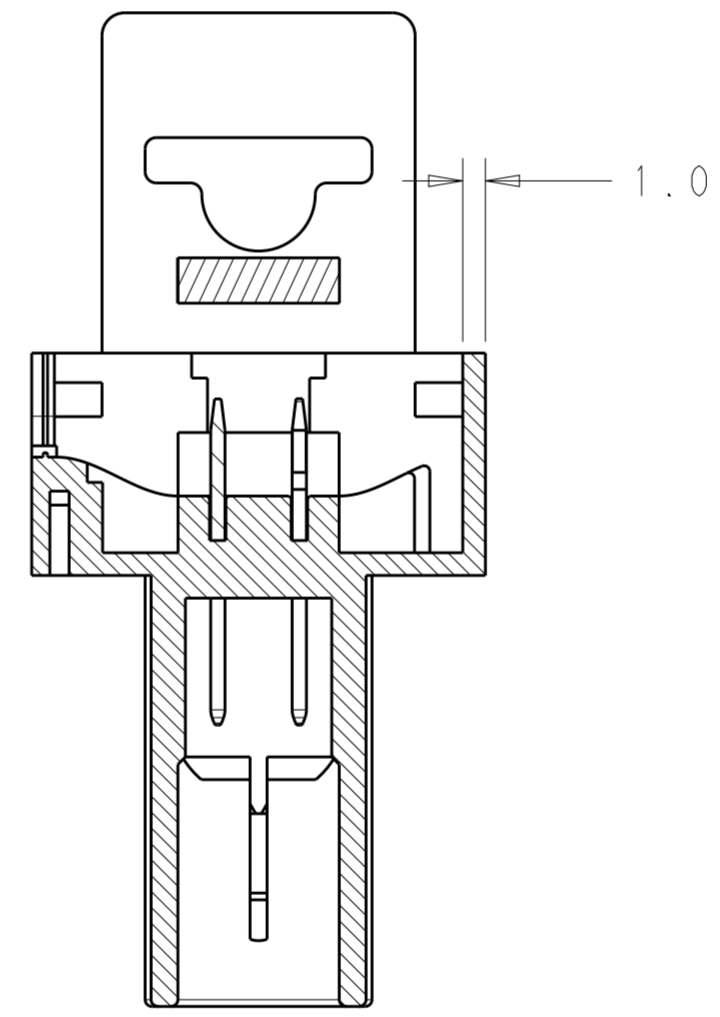
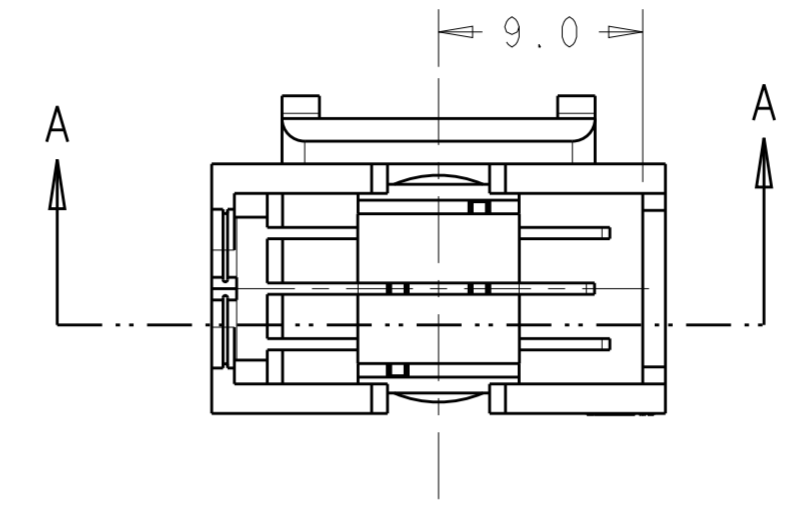
LOC	DIST	REVISIONS			
P	LTR	DESCRIPTION	DATE	DWN	APVD
-	-	SEE SHEET 1	-	-	-



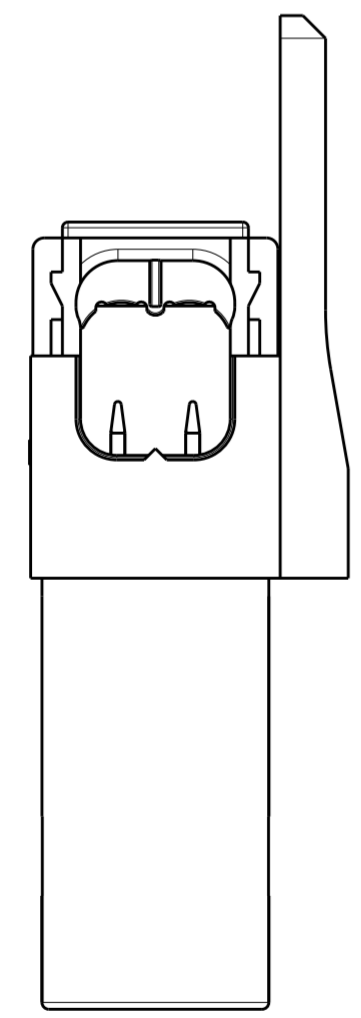
HOUSING WITHOUT TAB



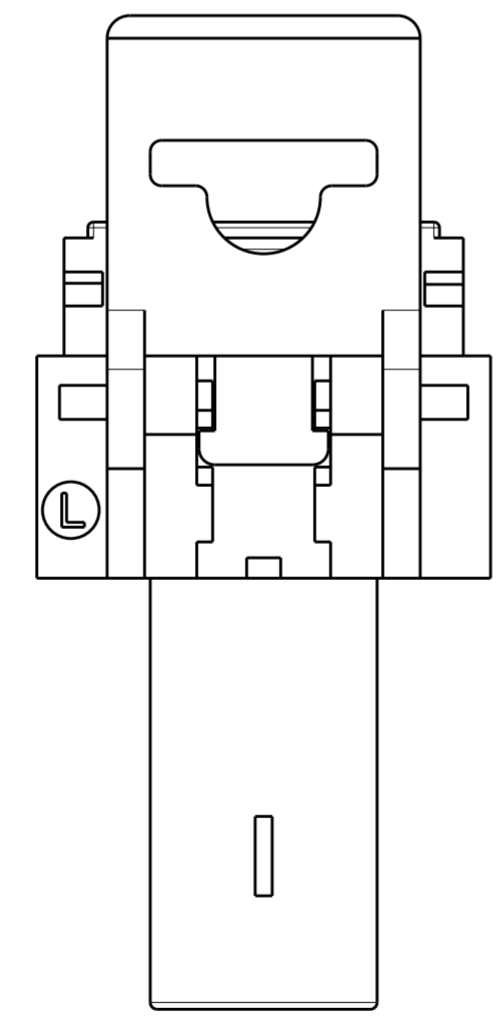
END HOUSING WITH TAB



SECTION A-A
SCALE 3:1



HOUSING WITH TAB

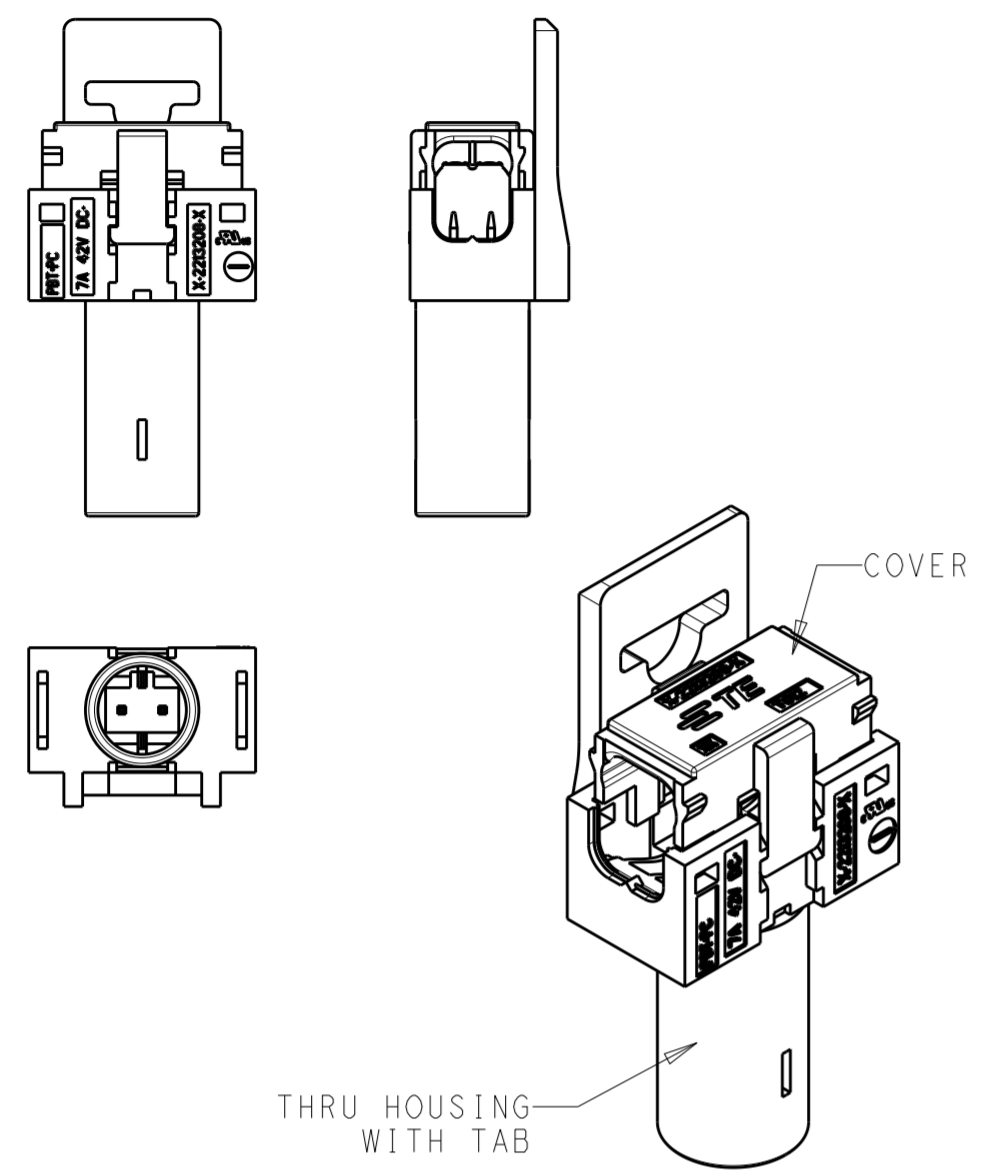


THIS DRAWING IS A CONTROLLED DOCUMENT.		DWN RAVI.S 18MAR2013	TE Connectivity	
DIMENSIONS: mm		CHK C. GINGRICH 18MAR2013		
TOLERANCES UNLESS OTHERWISE SPECIFIED:		APVD C. GINGRICH 18MAR2013	NAME ASSEMBLY: NECTOR S BUS BAR NA	
0 PLC ±0.5 1 PLC ±0.15 2 PLC ±0.1 3 PLC ± 4 PLC ± ANGLES ±1 FINISH		PRODUCT SPEC 108-20294	RESTRICTED TO	
MATERIAL		APPLICATION SPEC 114-20131	SIZE A200779	CAGE CODE C-2213222
-		WEIGHT -	SCALE 2 SHEET 2 OF 3 REV B	
-		Customer Drawing	-	

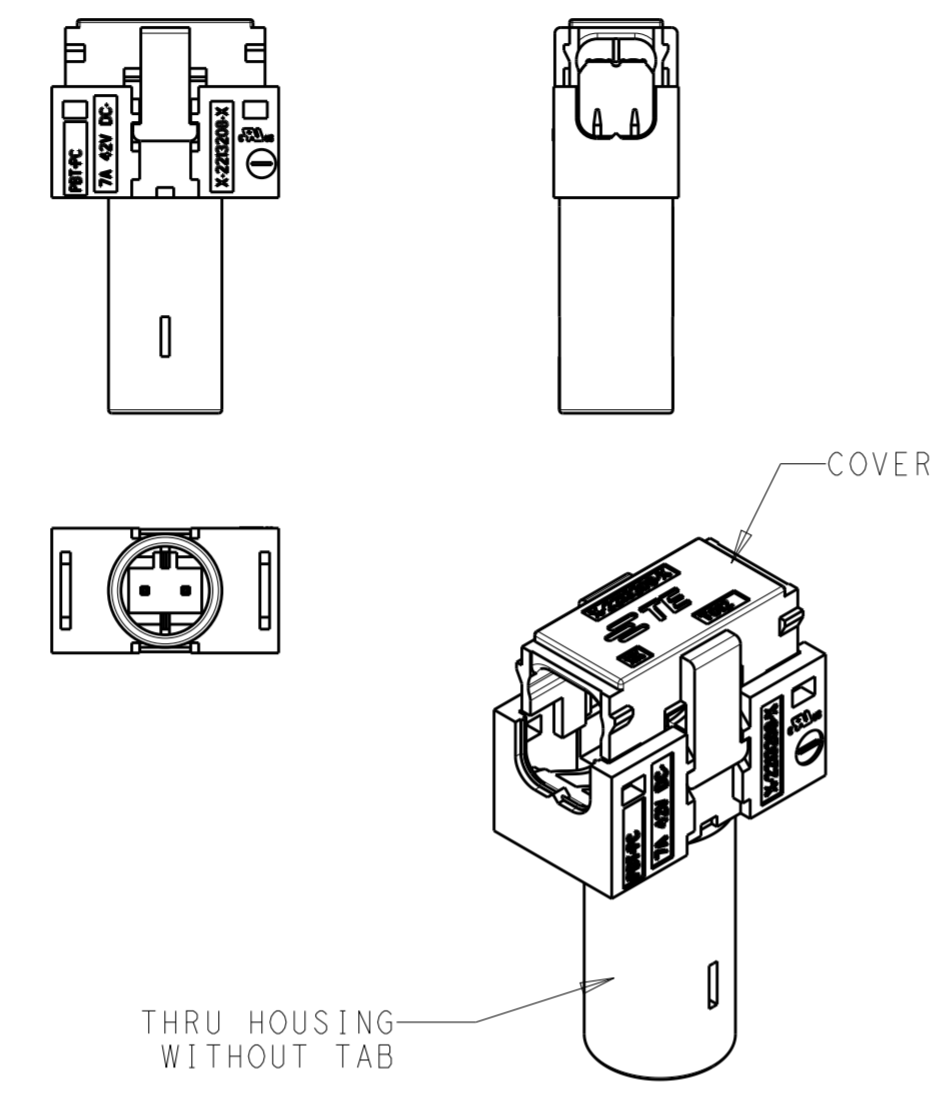
THIS DRAWING IS UNPUBLISHED. RELEASED FOR PUBLICATION 20
 © COPYRIGHT 20 BY - ALL RIGHTS RESERVED.

LOC		DIST		REVISIONS			
P	LTR	DESCRIPTION	DATE	DWN	APVD		
-	-	SEE SHEET 1	-	-	-		

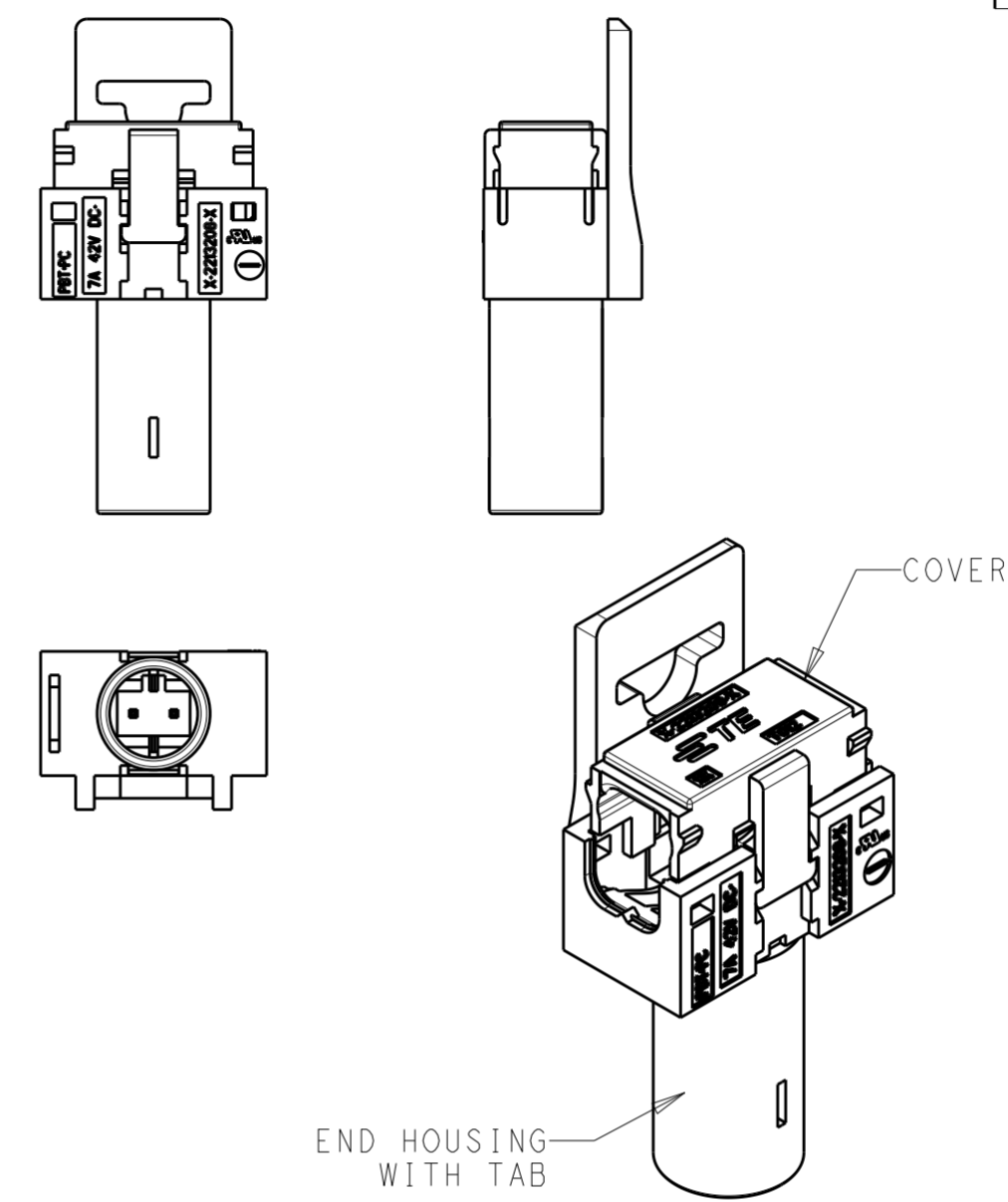
P/N 2213222-4 W/SEAL GEL
 P/N 4-2213222-4 W/O SEAL GEL
 POLARIZATION KEY LV-2



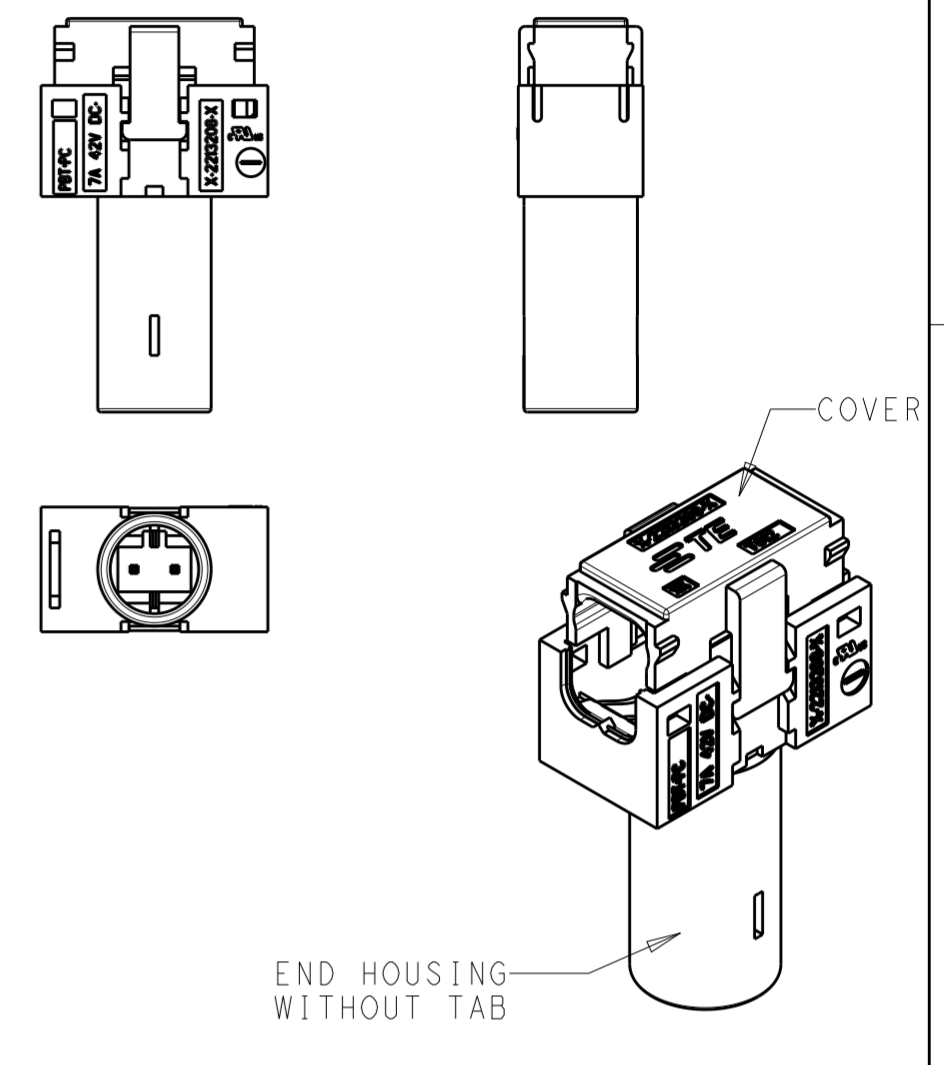
P/N 1-2213222-4 W/SEAL GEL
 P/N 5-2213222-4 W/O SEAL GEL
 POLARIZATION KEY LV-2



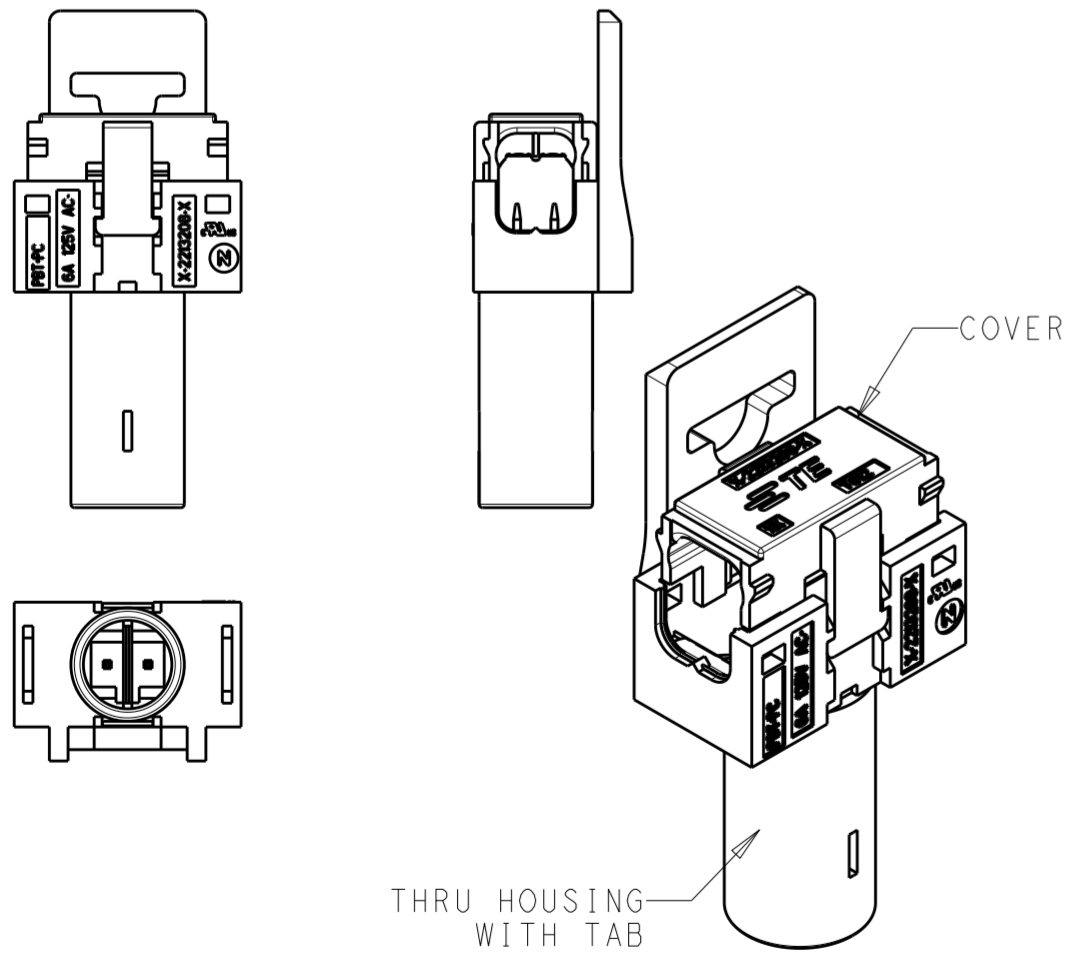
P/N 2-2213222-4 W/ SEAL GEL
 P/N 6-2213222-4 W/O SEAL GEL
 POLARIZATION KEY LV-2



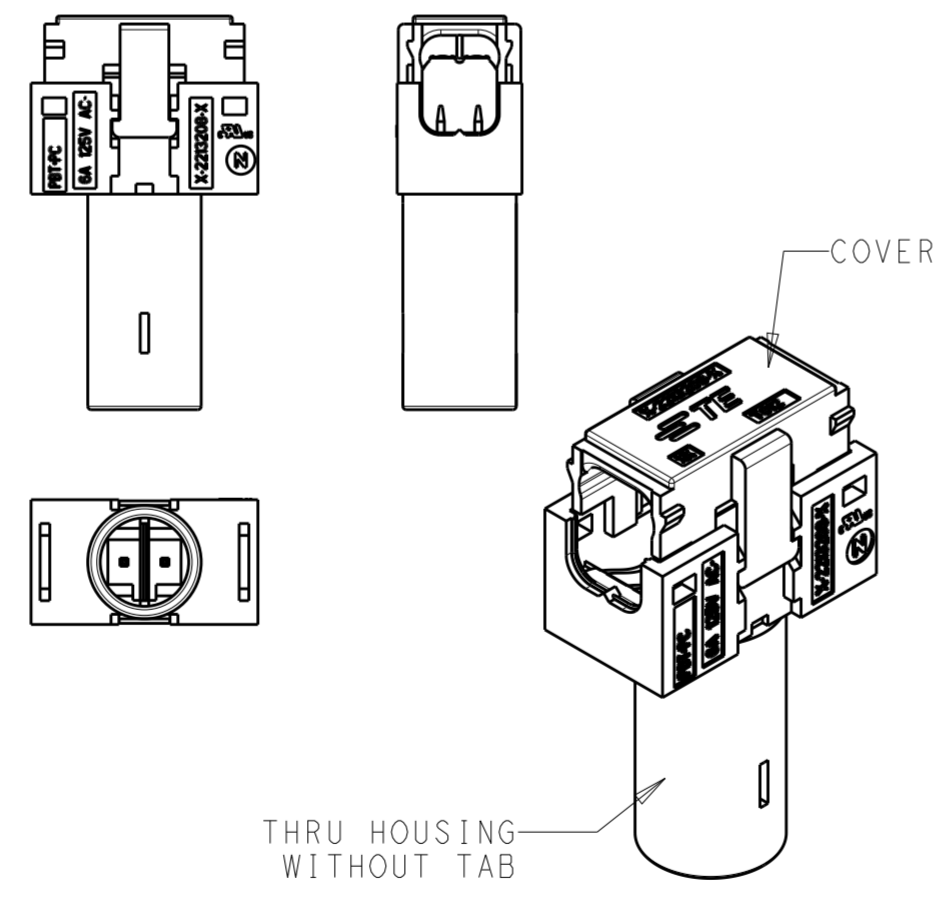
P/N 3-2213222-4 W/ SEAL GEL
 P/N 7-2213222-4 W/O SEAL GEL
 POLARIZATION KEY LV-2



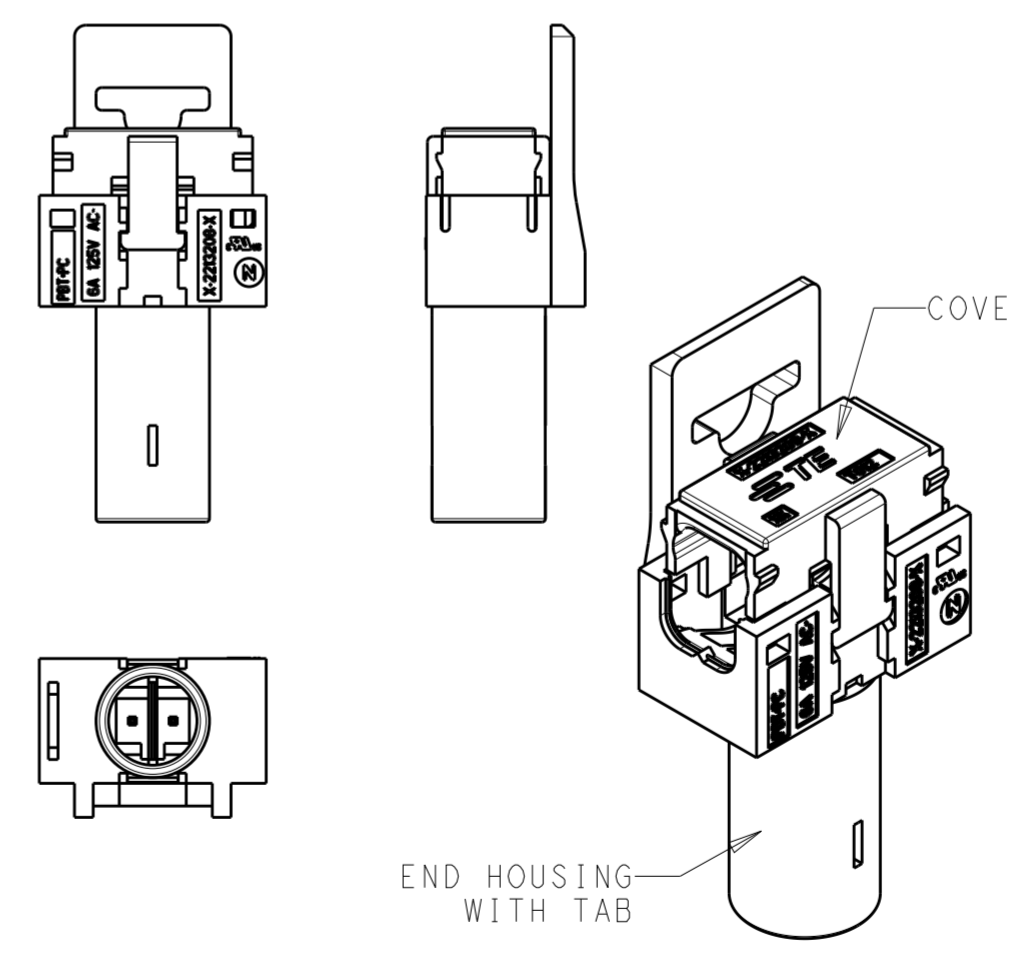
P/N 2213222-1 W/ SEAL GEL
 P/N 4-2213222-1 W/O SEAL GEL
 POLARIZATION KEY HV-3



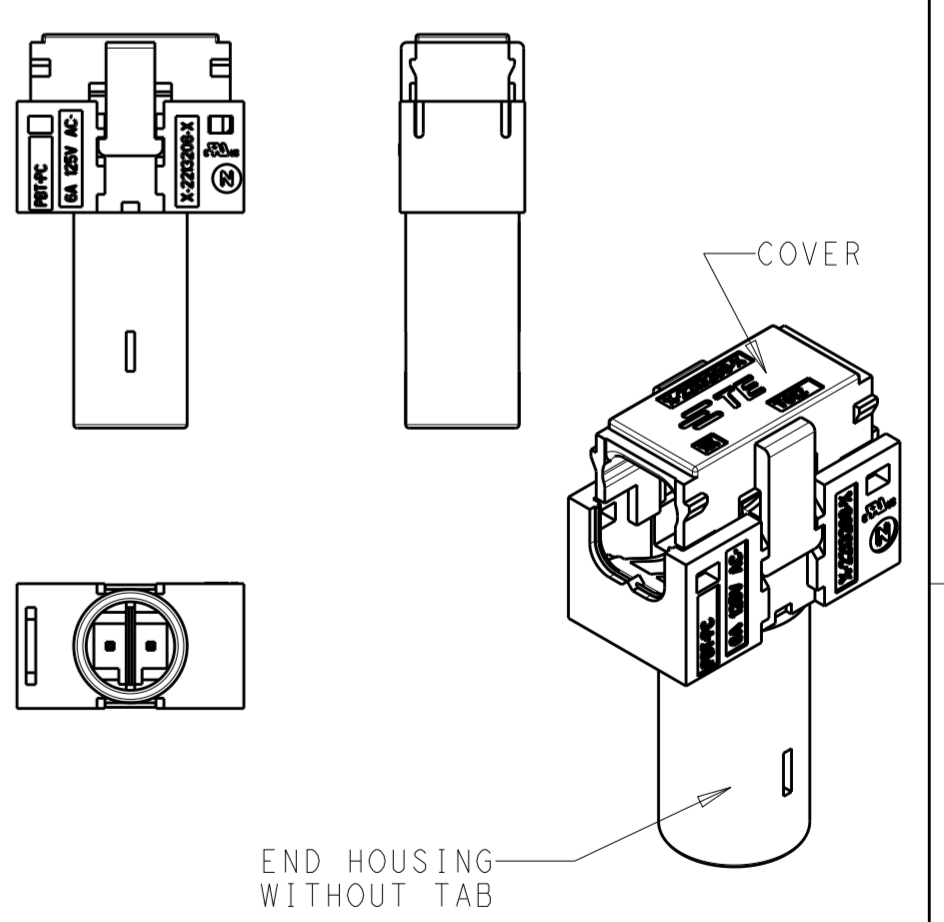
P/N 1-2213222-1 W/ SEAL GEL
 P/N 5-2213222-1 W/O SEAL GEL
 POLARIZATION KEY HV-3



P/N 2-2213222-1 W/ SEAL GEL
 P/N 6-2213222-1 W/O SEAL GEL
 POLARIZATION KEY HV-3



P/N 3-2213222-1 W/ SEAL GEL
 P/N 7-2213222-1 W/O SEAL GEL
 POLARIZATION KEY HV-3



THIS DRAWING IS A CONTROLLED DOCUMENT.

DIMENSIONS:	TOLERANCES UNLESS OTHERWISE SPECIFIED:	DWN	18MAR2013
mm	0 PLC ±0.5	CHK	18MAR2013
	1 PLC ±0.15	C	GINGRICH
	2 PLC ±0.1	APVD	18MAR2013
	3 PLC ±	C	GINGRICH
	4 PLC ±	PRODUCT SPEC	108-20294
	ANGLES ±1	APPLICATION SPEC	114-20131
MATERIAL	FINISH	WEIGHT	-
-	-	Customer Drawing	SCALE 2 SHEET 3 OF 3 REV B

STE TE Connectivity

ASSEMBLY: NECTOR S BUS BAR NA

SIZE CAGE CODE DRAWING NO RESTRICTED TO

A200779 C-2213222

X-ON Electronics

Largest Supplier of Electrical and Electronic Components

Click to view similar products for [Lighting Connectors](#) category:

Click to view products by [TE Connectivity](#) manufacturer:

Other Similar products are found below :

[CNX_H03_NTP](#) [30-9767-BU](#) [3605](#) [3-21030-1](#) [ZCH-110-RGB-I](#) [109609001001800+](#) [ZCH-110-RGB-J](#) [Y6426-201V-1927300](#) [2834036-1](#)
[2834037-1](#) [2834122-3](#) [2834122-5](#) [2834135-2](#) [FLA-R4142-30](#) [CNXV04NTP](#) [104128-0610](#) [1-1565647-3](#) [503485-0000 \(Cut Strip\)](#) [503485-](#)
[0000 \(MINI Reel\)](#) [1-2834074-2](#) [1-2834074-3](#) [1-293300-2](#) [1357-AC PLUG W2C \(CHINA\)](#) [1357-AC PLUG W2 \(USA\)](#) [104505-8003 \(Loose](#)
[Piece\)](#) [104539-8002 \(Loose Piece\)](#) [104539-8102 \(Loose Piece\)](#) [104266-0110](#) [104521-6001 \(Loose Piece\)](#) [CNXV06NTP](#) [CNXV02NTP](#)
[2154662-1](#) [2106212-1](#) [ES9P004VFZR1600](#) [ES9P002VFZR1600](#) [1740335-4](#) [2008106-2](#) [2-2834074-2](#) [2106004-1](#) [2134347-1](#) [104266-0210](#)
[293308-6](#) [293470-1](#) [293602-1](#) [293651-2](#) [293651-4](#) [DF59-2S-4V\(51\)](#) [DF59-2P-4FC\(50\)](#) [1-2834006-2](#) [293224-6](#)