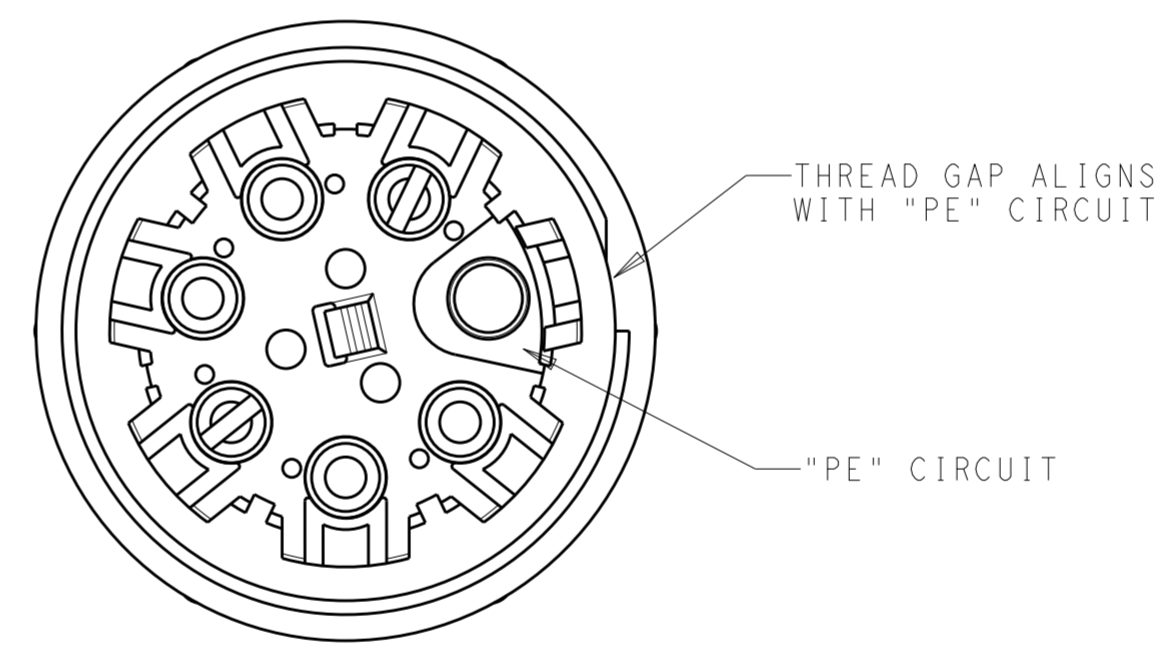
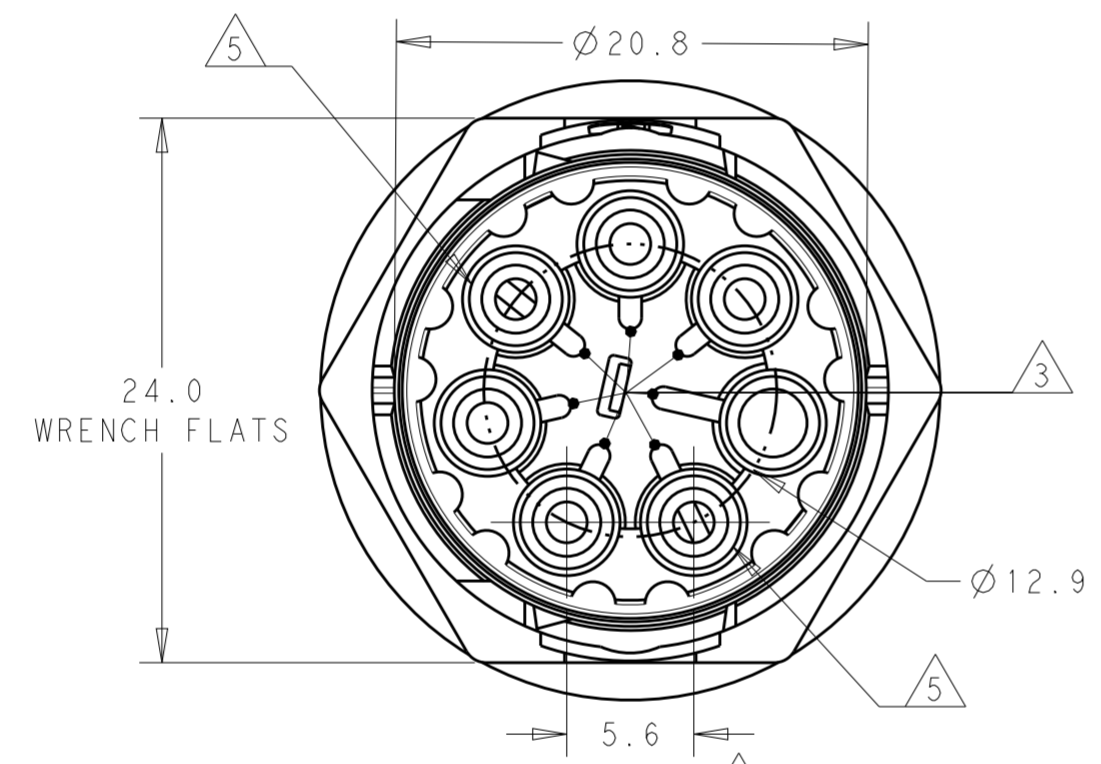
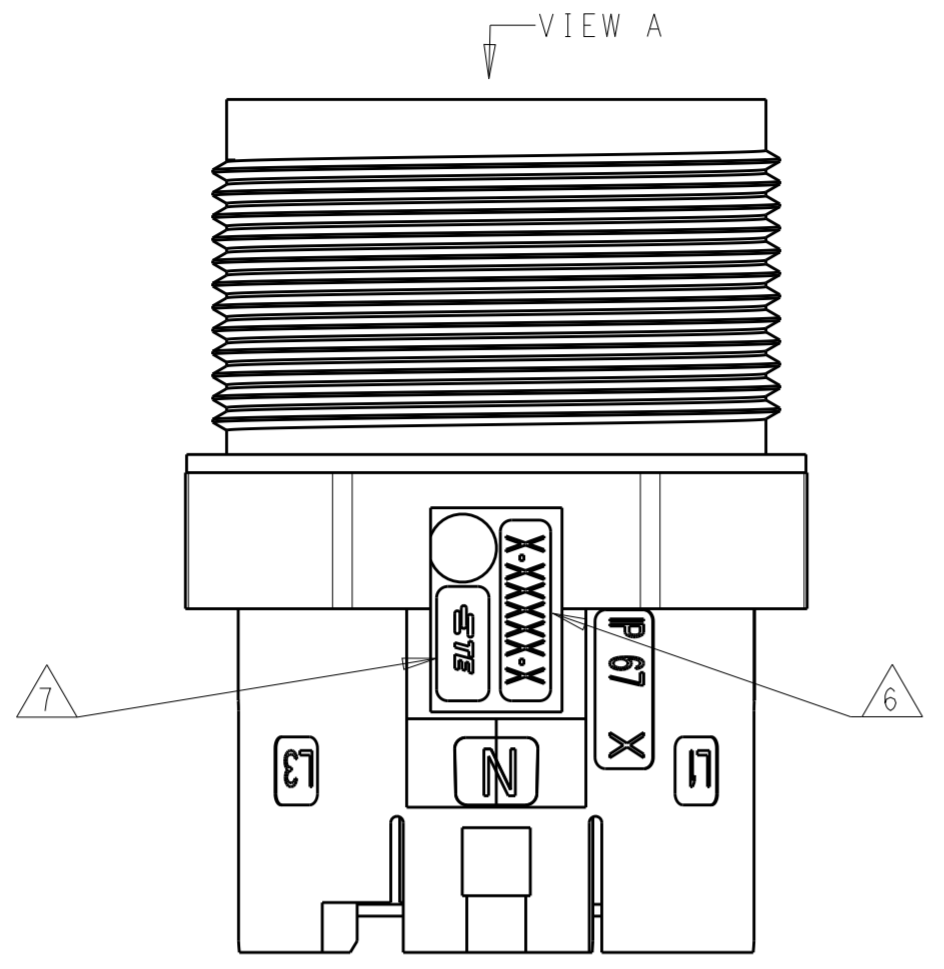
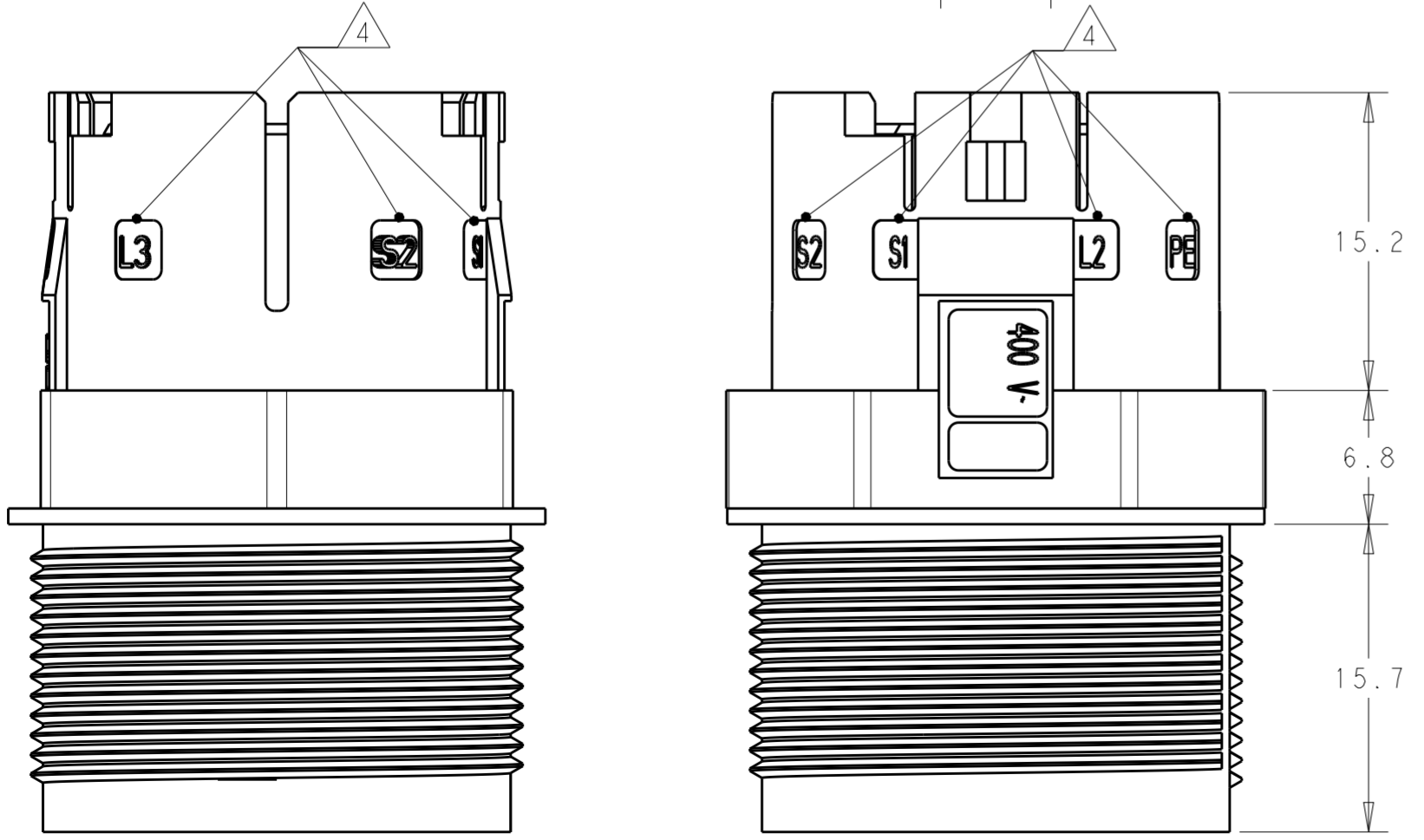
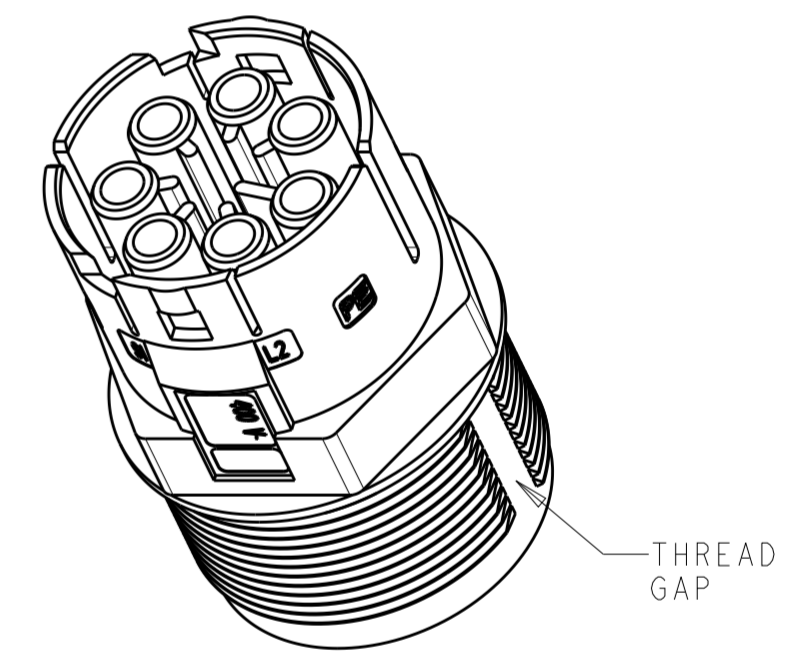


THIS DRAWING IS UNPUBLISHED. RELEASED FOR PUBLICATION 20
 © COPYRIGHT 20 BY - ALL RIGHTS RESERVED.

REVISIONS				
P	LTR	DESCRIPTION	DATE	APVD
A		REVISED AS PER ECR-15-005925	21APR2015	RS JL
B		REVISED AS PER ECR-16-000859	08MAR2016	RS JL
B1		ECR-18-006945	02JUL2018	SR MZ



VIEW A
SCALE 3:1



NOTES:

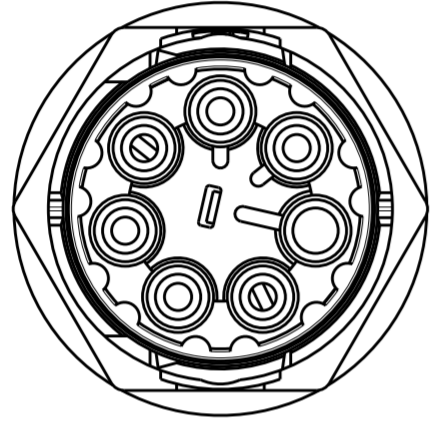
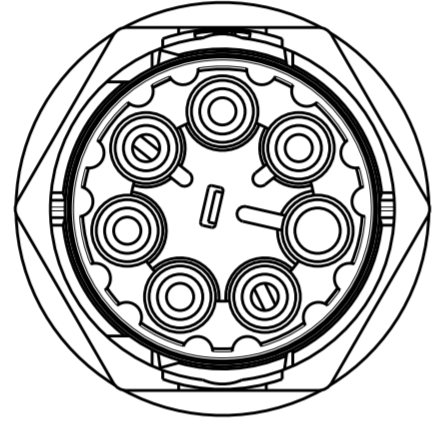
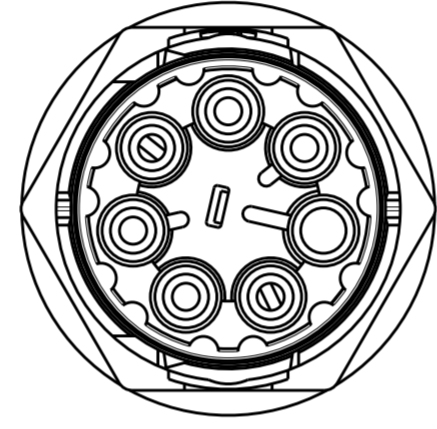
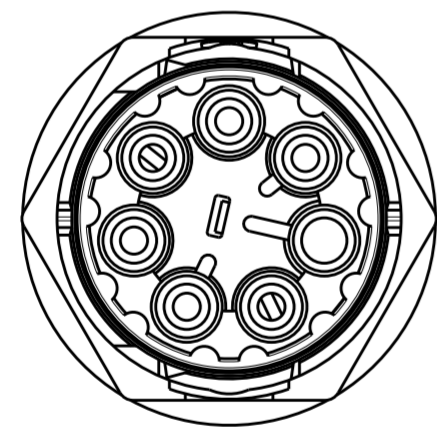
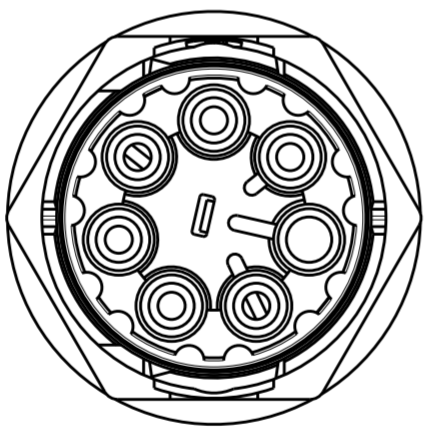
- MATERIAL: GLASS FILLED PBT, COLOR: BLACK
- MUST COMPLY WITH DIRECTIVE 2002/95/EC (ROHS)
- ALL POLARIZATION KEYS SHOWN FOR REF ONLY.
- CIRCUIT I.D.
- CIRCUITS "L2" AND "L3" ARE BLOCKED TO PREVENT CONTACT INSTALLATION.
- TE PART NUMBER
- TE LOGO
- THIS PRODUCT HAS NOT COMPLETED VALIDATION TESTING.


OBSOLETE	E	FREE HANGING SKT. SEALED NECTOR M, 5 POSN	2213230-5
	D	FREE HANGING SKT. SEALED NECTOR M, 5 POSN	2213230-4
	C	FREE HANGING SKT. SEALED NECTOR M, 5 POSN	2213230-3
	B	FREE HANGING SKT. SEALED NECTOR M, 5 POSN	2213230-2
	A	FREE HANGING SKT. SEALED NECTOR M, 5 POSN	2213230-1
	POLARIZATION TYPE	DESCRIPTION	PART NUMBER

THIS DRAWING IS A CONTROLLED DOCUMENT.		DWN J. SHAFFER 11NOV2013	TE Connectivity			
DIMENSIONS: mm		CHK M. LUKSIC 11NOV2013				
TOLERANCES UNLESS OTHERWISE SPECIFIED:		APVD M. LUKSIC 11NOV2013				
0 PLC ± 1 PLC ±0.2 2 PLC ±0.13 3 PLC ± 4 PLC ± ANGLES ± FINISH ±		NAME: FREE HANGING, SOCKET: SEALED NECTOR M, 5 POSN PRODUCT SPEC: 108-133014 APPLICATION SPEC: 114-32111 WEIGHT: - Customer Drawing				
MATERIAL NOTE 1			SIZE: A2	CAGE CODE: -	DRAWING NO: C-2213230	RESTRICTED TO: -
			SCALE: 1:1	SHEET: 1 OF 2	REV: B1	

THIS DRAWING IS UNPUBLISHED. RELEASED FOR PUBLICATION 20
 © COPYRIGHT 20 BY - ALL RIGHTS RESERVED.

REVISIONS				
P	LTR	DESCRIPTION	DATE	APVD
-		SEE SHEET 1	-	-

POLARIZATION TYPES		
POLARIZATION TYPE "A"	POLARIZATION TYPE "B"	POLARIZATION TYPE "C"
		
PN: 2213230-1	PN: 2213230-2	PN: 2213230-3
POLARIZATION TYPE "D"	POLARIZATION TYPE "E"	
		
PN: 2213230-4	PN: 2213230-5	

THIS DRAWING IS A CONTROLLED DOCUMENT.		DWN J. SHAFFER 11NOV2013	 TE Connectivity	
DIMENSIONS: mm		CHK M. LUKSIC 11NOV2013		
TOLERANCES UNLESS OTHERWISE SPECIFIED:		APVD M. LUKSIC 11NOV2013	NAME FREE HANGING, SOCKET: SEALED NECTOR M, 5 POSN	
0 PLC ±		PRODUCT SPEC 108-133014	RESTRICTED TO	
1 PLC ±0.2		APPLICATION SPEC 114-32111	SIZE A2	CAGE CODE -
2 PLC ±0.13		WEIGHT -	DRAWING NO C-2213230	SCALE 1:1
3 PLC ±		Customer Drawing	SHEET 2	OF 2
4 PLC ±			REV B1	
ANGLES ±				
FINISH -				
NOTE 1				

X-ON Electronics

Largest Supplier of Electrical and Electronic Components

Click to view similar products for [Lighting Connectors](#) category:

Click to view products by [TE Connectivity](#) manufacturer:

Other Similar products are found below :

[293300-7](#) [293660-5](#) [CNX_H03_NTP](#) [30-9767-BU](#) [3605](#) [3-21030-1](#) [ZCH-110-RGB-I](#) [503471-0290](#) [ZCH-110-RGB-J](#) [217-0716-200](#)
[1954563-1](#) [1-293657-2](#) [2834036-1](#) [2834037-1](#) [1-2213222-4](#) [2-2213222-4](#) [2213222-4](#) [2834122-3](#) [2834122-5](#) [2834135-2](#) [FLA-R4142-30](#)
[FLA-R4162-30](#) [FLA-R2142-30](#) [FLA-R2141-30](#) [FLA-R2162-30](#) [FLA-R2161-30](#) [FLA-R0161-30](#) [FLA-R0141-30](#) [FLA-R0142-30](#) [FLA-](#)
[R0162-30](#) [FLA-C00-00](#) [DGA00010553](#) [CNXV04NTP](#) [104128-0610](#) [503485-0000 \(Cut Strip\)](#) [503485-0000 \(Loose Piece\)](#) [503485-0000](#)
[\(MINI Reel\)](#) [1-2834074-2](#) [1-2834074-3](#) [1357-AC PLUG W2C \(CHINA\)](#) [1357-AC PLUG W2 \(USA\)](#) [104266-0110](#) [2106212-1](#) [2-2834074-2](#)
[104266-0210](#) [293470-1](#) [293651-2](#) [293651-4](#) [1-2834006-2](#) [293651-1](#)