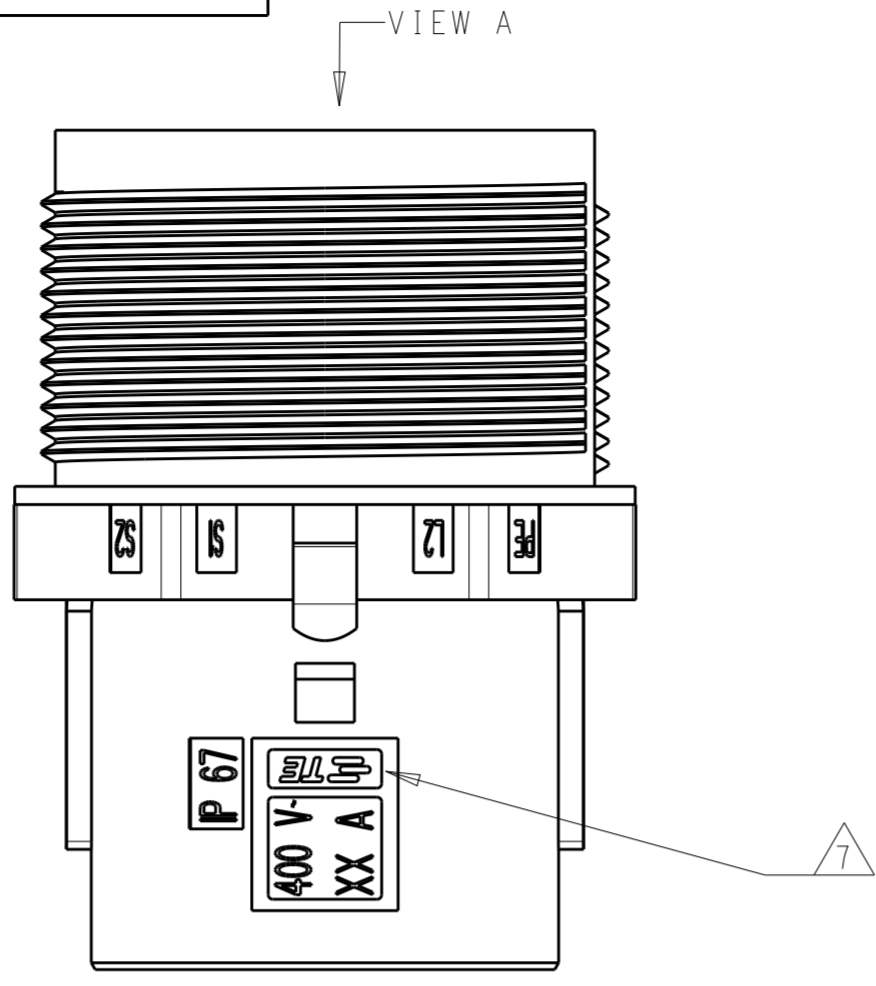
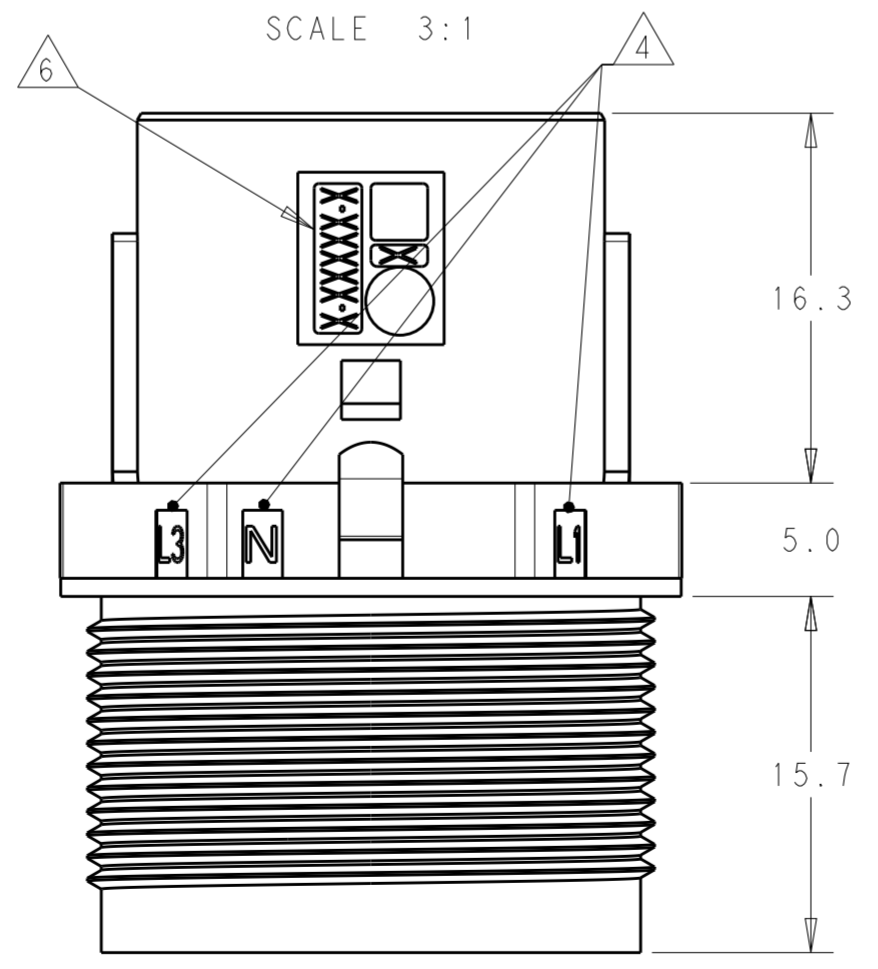
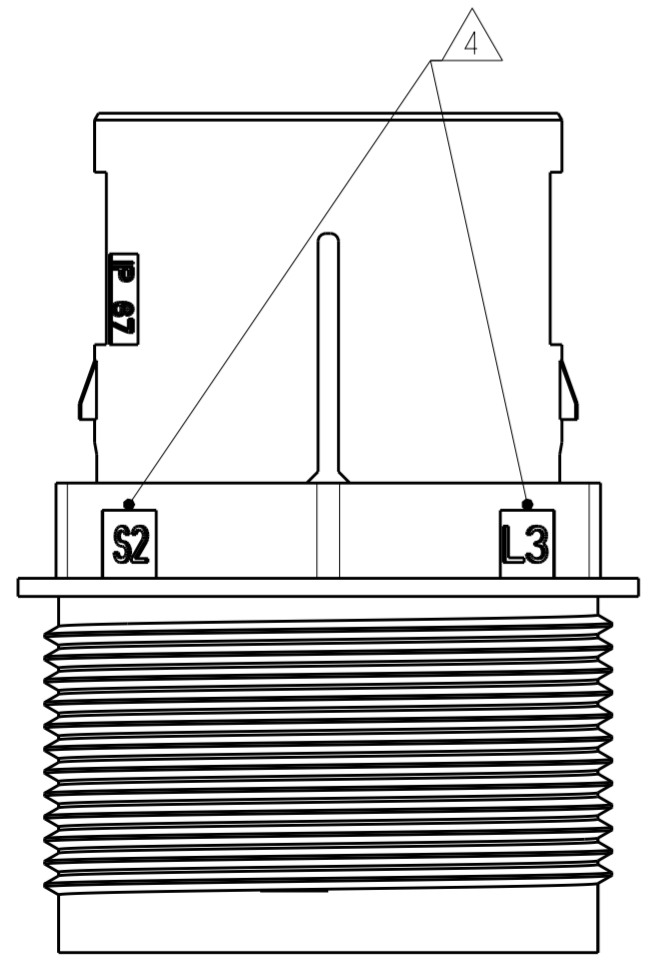
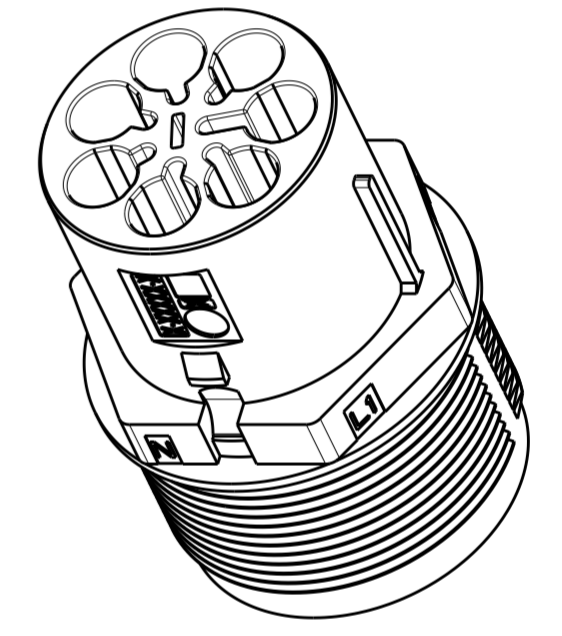
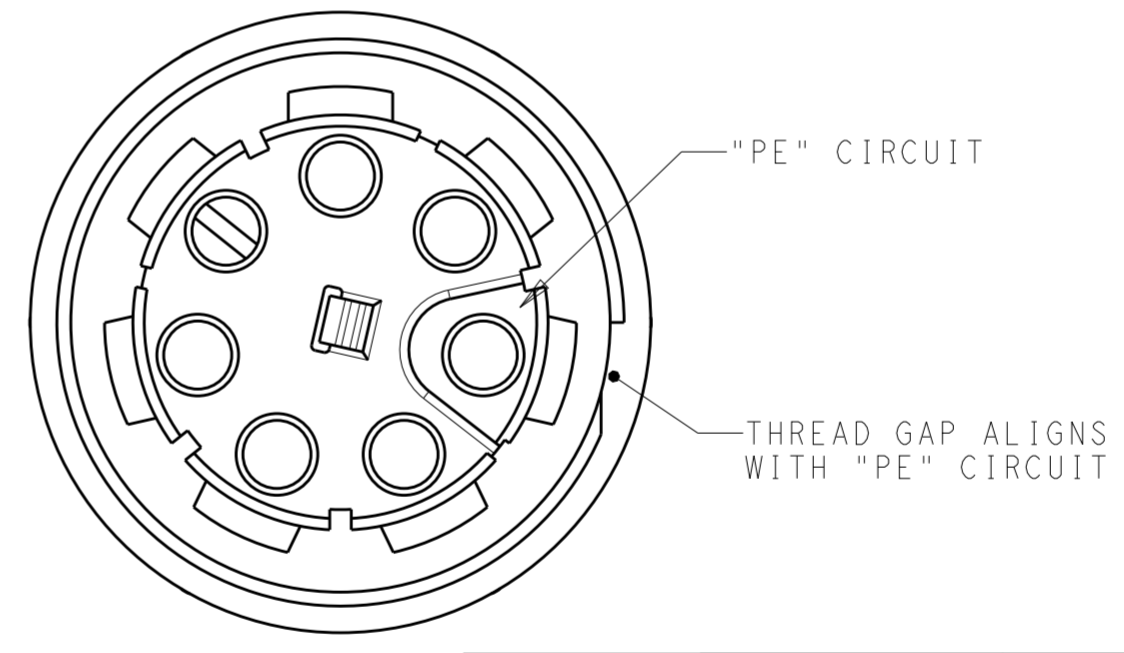
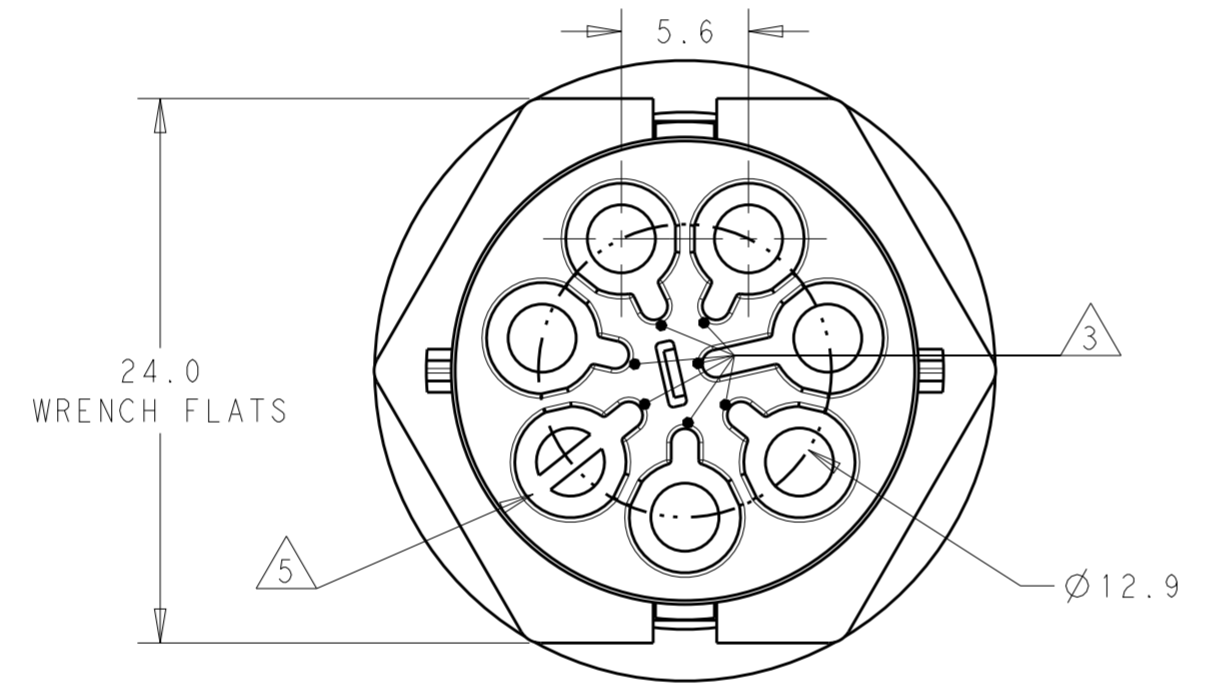


THIS DRAWING IS UNPUBLISHED. RELEASED FOR PUBLICATION 20
 © COPYRIGHT 20 BY - ALL RIGHTS RESERVED.

REVISIONS				
P	LTR	DESCRIPTION	DATE	APVD
A		REVISED AS PER ECR-15-005925	21APR2015	RS JL
A1		ECR-18-006945	02JUL2018	SR MZ



- NOTES:
1. MATERIAL: GLASS FILLED PBT, COLOR: BLACK
 2. MUST COMPLY WITH DIRECTIVE 2002/95/EC (ROHS)
 3. ALL POLARIZATION KEYS SHOWN FOR REF ONLY.
 4. CIRCUIT I.D.
 5. CIRCUIT "L3" IS BLOCKED TO PREVENT CONTACT INSTALLATION.
 6. TE PART NUMBER
 7. TE LOGO
 8. THIS PRODUCT HAS NOT COMPLETED VALIDATION TESTING



OBSOLETE	E	FREE HANGING PIN. SEALED NECTOR M, 6 POSN	2213241-5
	D	FREE HANGING PIN. SEALED NECTOR M, 6 POSN	2213241-4
	C	FREE HANGING PIN. SEALED NECTOR M, 6 POSN	2213241-3
	B	FREE HANGING PIN. SEALED NECTOR M, 6 POSN	2213241-2
	A	FREE HANGING PIN. SEALED NECTOR M, 6 POSN	2213241-1
	POLARIZATION TYPE		DESCRIPTION

THIS DRAWING IS A CONTROLLED DOCUMENT.

DWN	J. SHAFFER	21 JAN 2014
CHK	M. LUKSIC	21 JAN 2014
APVD	M. LUKSIC	21 JAN 2014

TE Connectivity

NAME: FREE HANGING PIN HOUSING: SEALED NECTOR M-LINE, 6 POSN

PRODUCT SPEC: 108-133014

APPLICATION SPEC: 114-32111

SIZE: A2

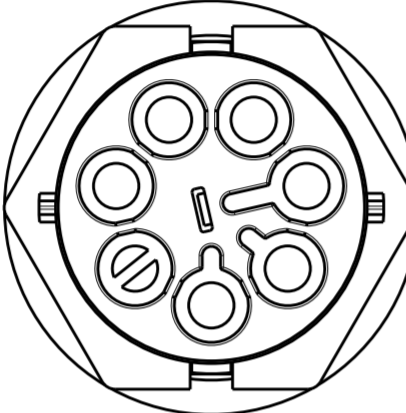
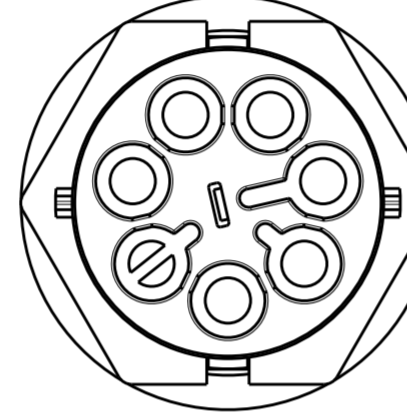
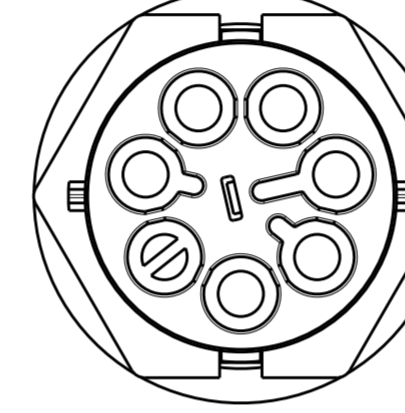
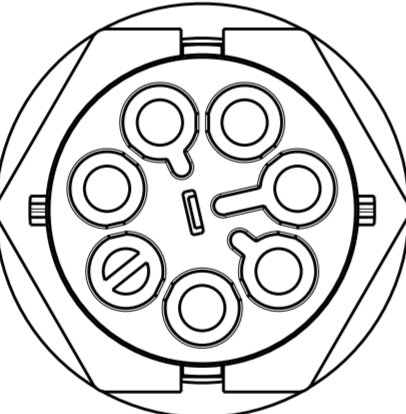
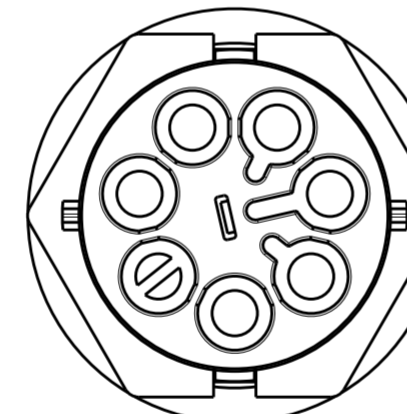
SCALE: 2:1


SHEET: 1 OF 2

REV: A1

THIS DRAWING IS UNPUBLISHED. RELEASED FOR PUBLICATION 20
 © COPYRIGHT 20 BY - ALL RIGHTS RESERVED.

REVISIONS				
P	LTR	DESCRIPTION	DATE	APVD
-		SEE SHEET 1	-	-

POLARIZATION TYPES		
POLARIZATION TYPE "A"	POLARIZATION TYPE "B"	POLARIZATION TYPE "C"
		
PN: 2213241-1	PN: 2213241-2	PN: 2213241-3
POLARIZATION TYPE "D"	POLARIZATION TYPE "E"	
		
PN: 2213241-4	PN: 2213241-5	

THIS DRAWING IS A CONTROLLED DOCUMENT.		DWN J. SHAFFER 21 JAN 2014	 TE Connectivity	
DIMENSIONS: mm		CHK M. LUKSIC 21 JAN 2014		
TOLERANCES UNLESS OTHERWISE SPECIFIED:		APVD M. LUKSIC 21 JAN 2014	NAME FREE HANGING PIN HOUSING: SEALED NECTOR M-LINE, 6 POSN	
0 PLC ± 1 PLC ±0.2 2 PLC ±0.13 3 PLC ± 4 PLC ±		PRODUCT SPEC 108-133014	RESTRICTED TO	
MATERIAL NOTE 1		APPLICATION SPEC 114-32111	SIZE A2	CAGE CODE -
FINISH -		WEIGHT -	DRAWING NO C-2213241	SCALE 2:1
		Customer Drawing	SHEET 2	OF 2
			REV A1	

X-ON Electronics

Largest Supplier of Electrical and Electronic Components

Click to view similar products for [Lighting Connectors](#) category:

Click to view products by [TE Connectivity](#) manufacturer:

Other Similar products are found below :

[293300-7](#) [293660-5](#) [CNX_H03_NTP](#) [30-9767-BU](#) [3605](#) [3-21030-1](#) [ZCH-110-RGB-I](#) [503471-0290](#) [ZCH-110-RGB-J](#) [217-0716-200](#)
[1954563-1](#) [1-293657-2](#) [2834036-1](#) [2834037-1](#) [1-2213222-4](#) [2-2213222-4](#) [2213222-4](#) [2834122-3](#) [2834122-5](#) [2834135-2](#) [FLA-R4142-30](#)
[FLA-R4162-30](#) [FLA-R2142-30](#) [FLA-R2141-30](#) [FLA-R2162-30](#) [FLA-R2161-30](#) [FLA-R0161-30](#) [FLA-R0141-30](#) [FLA-R0142-30](#) [FLA-](#)
[R0162-30](#) [FLA-C00-00](#) [DGA00010553](#) [CNXV04NTP](#) [104128-0610](#) [503485-0000 \(Cut Strip\)](#) [503485-0000 \(Loose Piece\)](#) [503485-0000](#)
[\(MINI Reel\)](#) [1-2834074-2](#) [1-2834074-3](#) [1357-AC PLUG W2C \(CHINA\)](#) [1357-AC PLUG W2 \(USA\)](#) [104266-0110](#) [2106212-1](#) [2-2834074-2](#)
[104266-0210](#) [293470-1](#) [293651-2](#) [293651-4](#) [1-2834006-2](#) [293651-1](#)