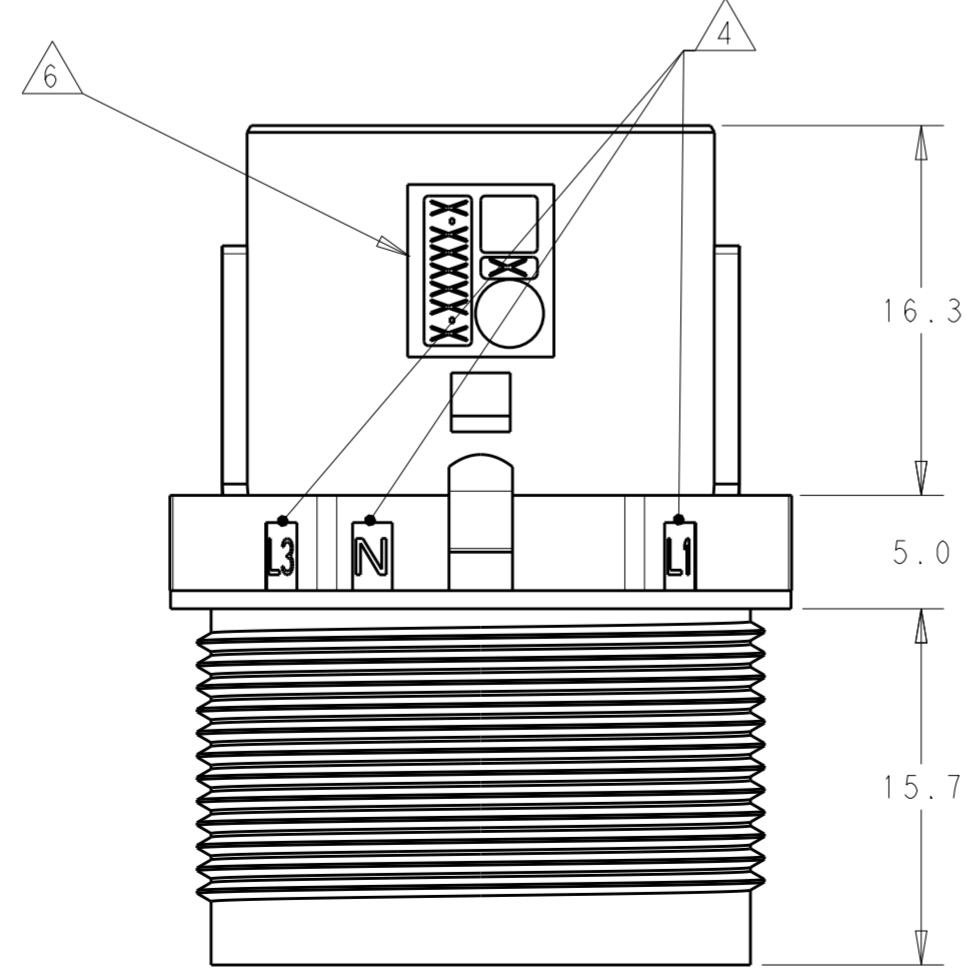
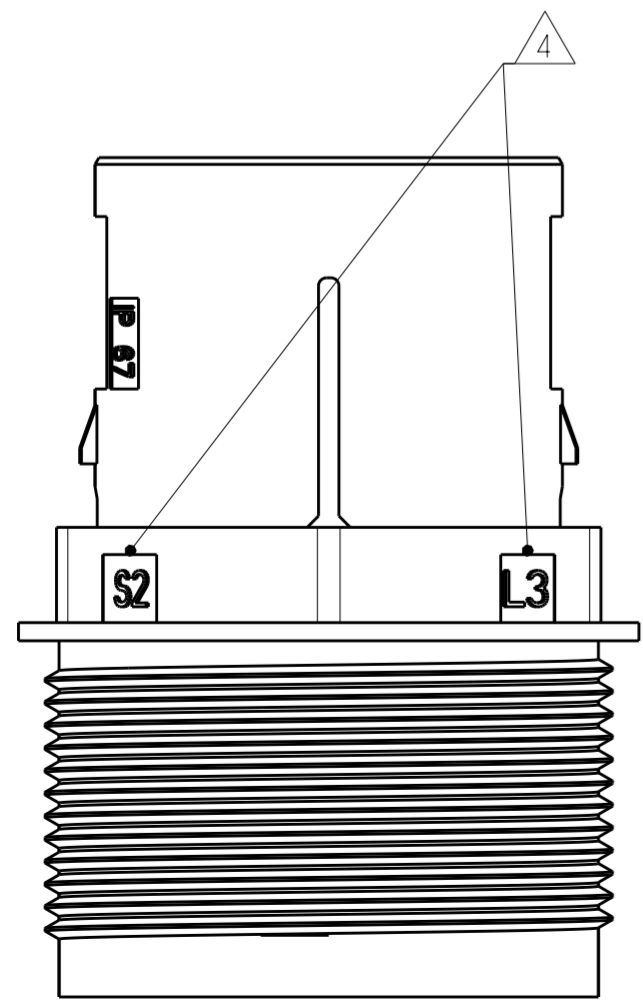
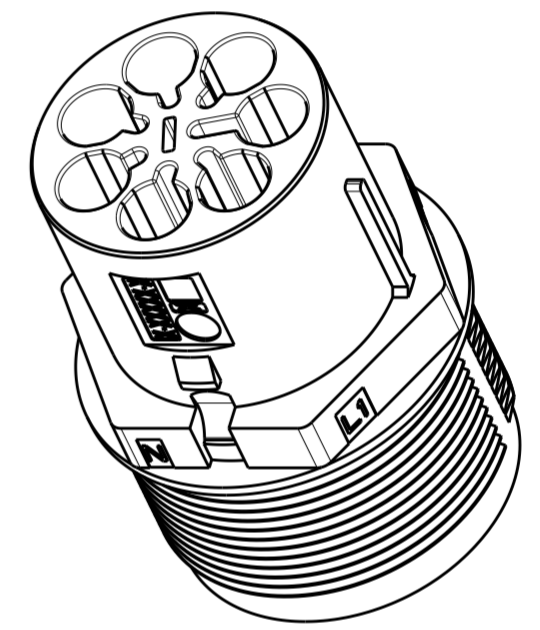
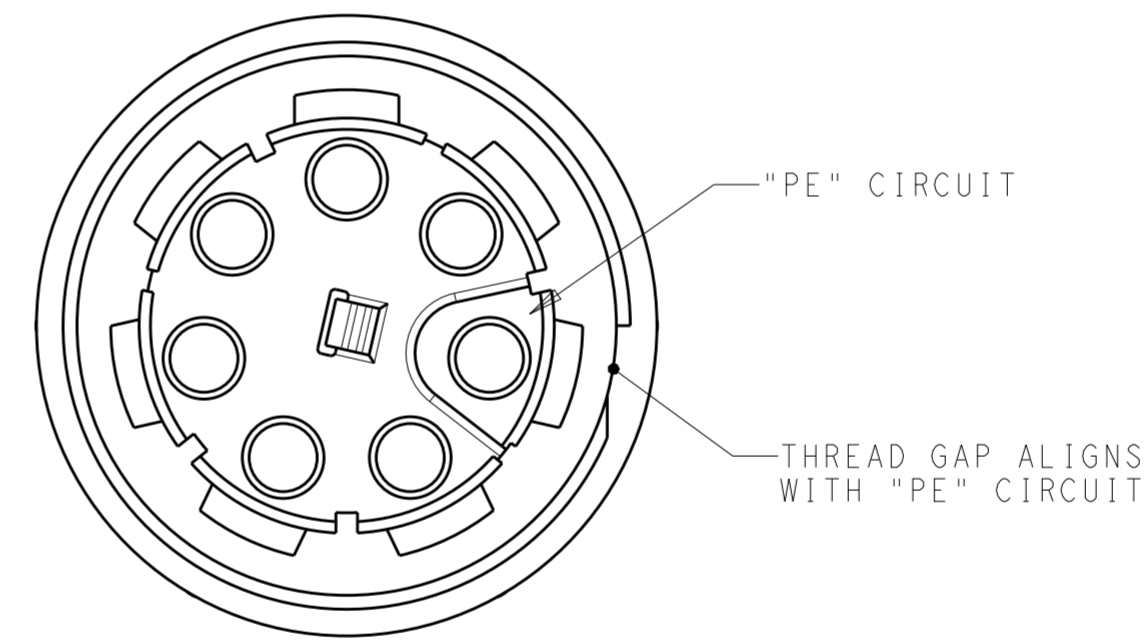
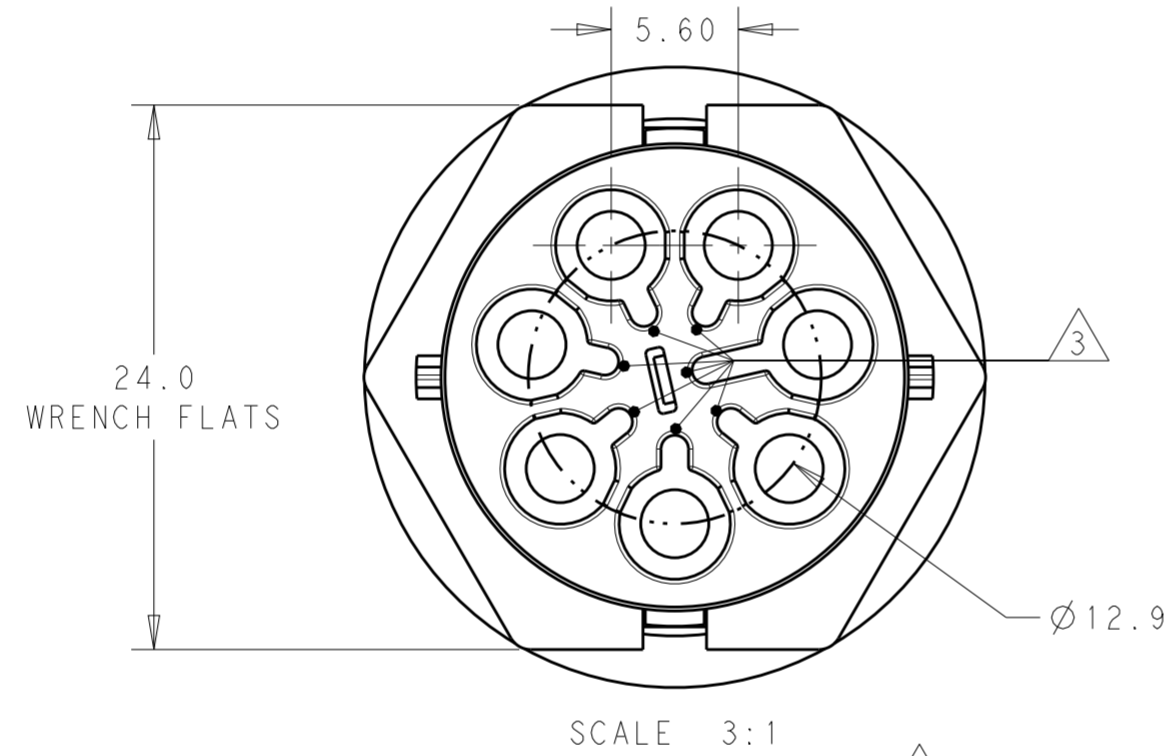
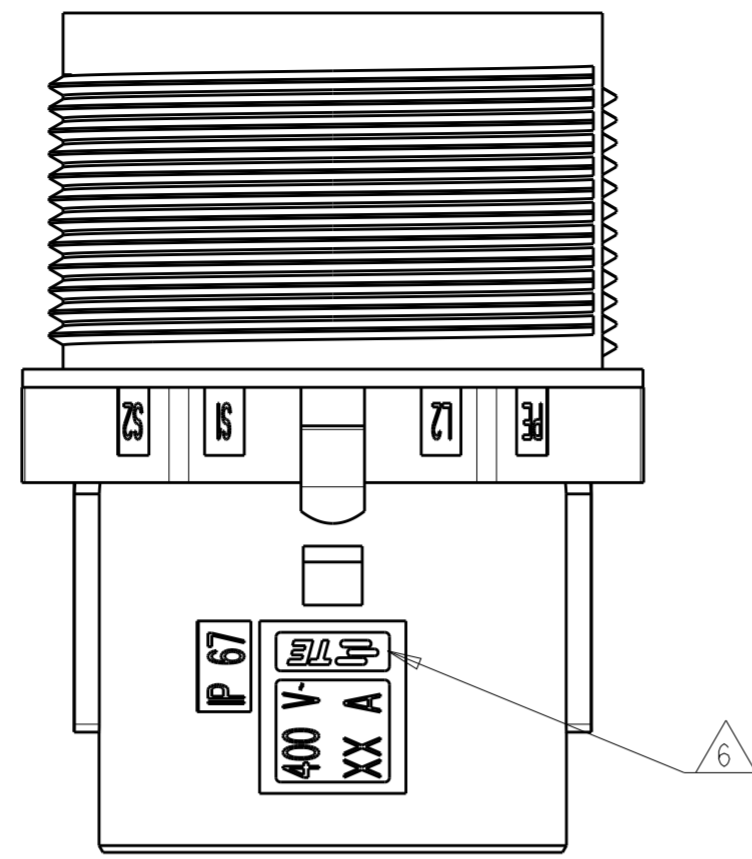


THIS DRAWING IS UNPUBLISHED. RELEASED FOR PUBLICATION 20  
 © COPYRIGHT 20 BY - ALL RIGHTS RESERVED.

REVISIONS					
P	LTR	DESCRIPTION	DATE	DWN	APVD
A		REVISED AS PER ECR-15-005925	21APR2015	RS	JL
A1		ECR-18-006945	05JUL2018	SR	MZ

NOTES:

1. MATERIAL: GLASS FILLED PBT, COLOR: BLACK
2. MUST COMPLY WITH DIRECTIVE 2002/95/EC (ROHS)
3. ALL POLARIZATION KEYS SHOWN FOR REF ONLY.
4. CIRCUIT I.D.
5. TE PART NUMBER
6. TE LOGO
7. THIS PRODUCT HAS NOT COMPLETED VALIDATION TESTING

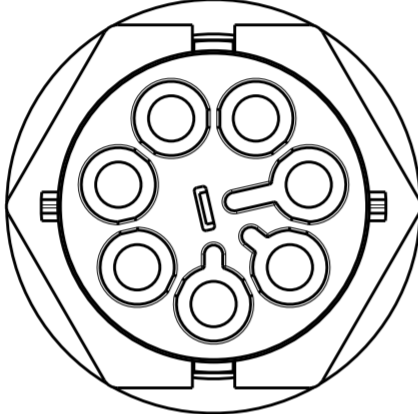
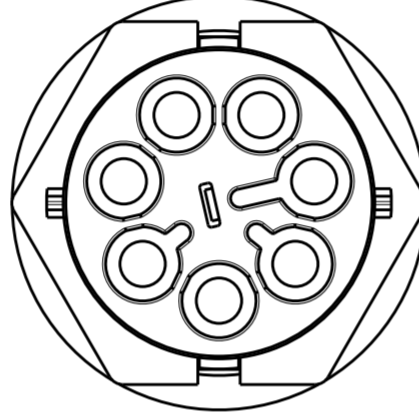
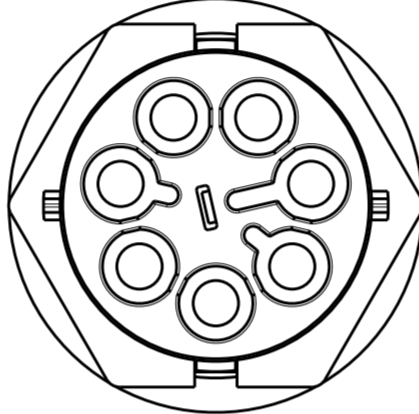
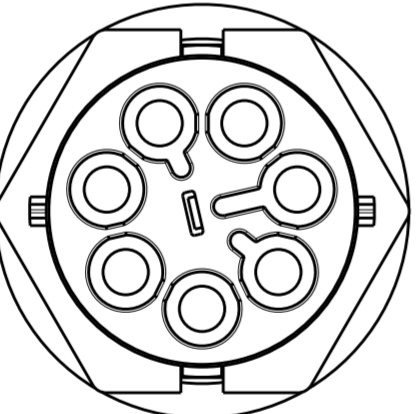
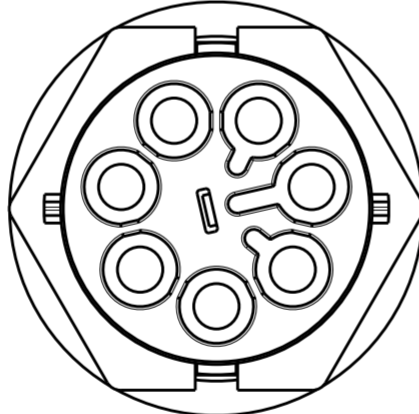



OBSOLETE	E	FREE HANGING PIN. SEALED NECTOR M, 7 POSN	2213242-5
	D	FREE HANGING PIN. SEALED NECTOR M, 7 POSN	2213242-4
	C	FREE HANGING PIN. SEALED NECTOR M, 7 POSN	2213242-3
	B	FREE HANGING PIN. SEALED NECTOR M, 7 POSN	2213242-2
	A	FREE HANGING PIN. SEALED NECTOR M, 7 POSN	2213242-1
POLARIZATION KEYING		DESCRIPTION	PART NUMBER

THIS DRAWING IS A CONTROLLED DOCUMENT.		DWN J. SHAFFER 21 JAN 2014	TE Connectivity	
DIMENSIONS: mm		CHK M. LUKSIC 21 JAN 2014		
TOLERANCES UNLESS OTHERWISE SPECIFIED:		APVD M. LUKSIC 21 JAN 2014	NAME FREE HANGING PIN HOUSING SEALED NECTOR M-LINE, 7 POSN	
0 PLC	±	PRODUCT SPEC	-	
1 PLC	±0.2	108-133014	-	
2 PLC	±0.13	APPLICATION SPEC	-	
3 PLC	±	114-32111	-	
4 PLC	±	WEIGHT	-	
ANGLES	±	Customer Drawing	-	
FINISH	-	SCALE 2:1	SHEET 1 OF 2	REV A1

THIS DRAWING IS UNPUBLISHED. RELEASED FOR PUBLICATION 20  
 © COPYRIGHT 20 BY - ALL RIGHTS RESERVED.

REVISIONS				
P	LTR	DESCRIPTION	DATE	APVD
-		SEE SHEET 1	-	-

POLARIZATION TYPES		
POLARIZATION TYPE "A"	POLARIZATION TYPE "B"	POLARIZATION TYPE "C"
		
PN: 2213242-1	<del>PN: 2213242-2</del>	<del>PN: 2213242-3</del>
POLARIZATION TYPE "D"	POLARIZATION TYPE "E"	
		
<del>PN: 2213242-4</del>	<del>PN: 2213242-5</del>	

THIS DRAWING IS A CONTROLLED DOCUMENT.		DWN J. SHAFFER 21 JAN 2014	 TE Connectivity	
DIMENSIONS: mm		CHK M. LUKSIC 21 JAN 2014		
TOLERANCES UNLESS OTHERWISE SPECIFIED:		APVD M. LUKSIC 21 JAN 2014	NAME FREE HANGING PIN HOUSING SEALED NECTOR M-LINE, 7 POSN	
0 PLC ±		PRODUCT SPEC 108-133014	RESTRICTED TO	
1 PLC ±0.2		APPLICATION SPEC 114-32111	SIZE A2	CAGE CODE -
2 PLC ±0.13		WEIGHT -	DRAWING NO C-2213242	
3 PLC ±		SCALE 2:1 SHEET 2 OF 2 REV A1		
4 PLC ±		Customer Drawing		
ANGLES ±				
FINISH -				
NOTE 1				

## X-ON Electronics

Largest Supplier of Electrical and Electronic Components

*Click to view similar products for [Lighting Connectors](#) category:*

*Click to view products by [TE Connectivity](#) manufacturer:*

Other Similar products are found below :

[293300-7](#) [293660-5](#) [CNX\\_H03\\_NTP](#) [30-9767-BU](#) [3605](#) [3-21030-1](#) [ZCH-110-RGB-I](#) [503471-0290](#) [ZCH-110-RGB-J](#) [217-0716-200](#)  
[1954563-1](#) [1-293657-2](#) [2834036-1](#) [2834037-1](#) [1-2213222-4](#) [2-2213222-4](#) [2213222-4](#) [2834122-3](#) [2834122-5](#) [2834135-2](#) [FLA-R4142-30](#)  
[FLA-R4162-30](#) [FLA-R2142-30](#) [FLA-R2141-30](#) [FLA-R2162-30](#) [FLA-R2161-30](#) [FLA-R0161-30](#) [FLA-R0141-30](#) [FLA-R0142-30](#) [FLA-](#)  
[R0162-30](#) [FLA-C00-00](#) [DGA00010553](#) [CNXV04NTP](#) [104128-0610](#) [503485-0000 \(Cut Strip\)](#) [503485-0000 \(Loose Piece\)](#) [503485-0000](#)  
[\(MINI Reel\)](#) [1-2834074-2](#) [1-2834074-3](#) [1357-AC PLUG W2C \(CHINA\)](#) [1357-AC PLUG W2 \(USA\)](#) [104266-0110](#) [2106212-1](#) [2-2834074-2](#)  
[104266-0210](#) [293470-1](#) [293651-2](#) [293651-4](#) [1-2834006-2](#) [293651-1](#)