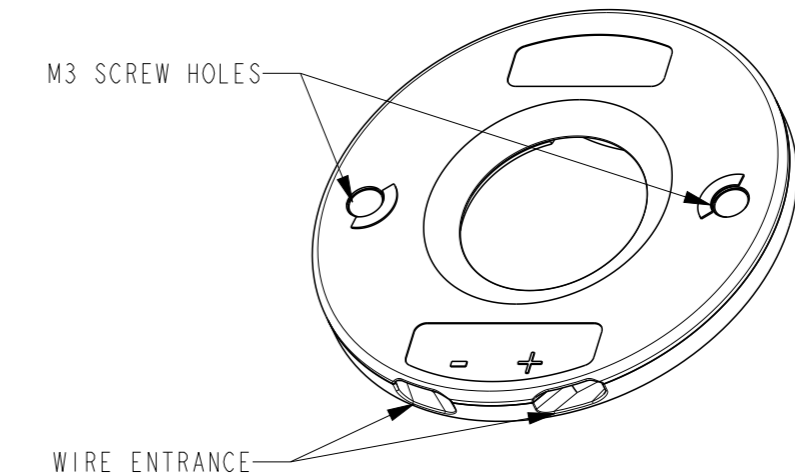
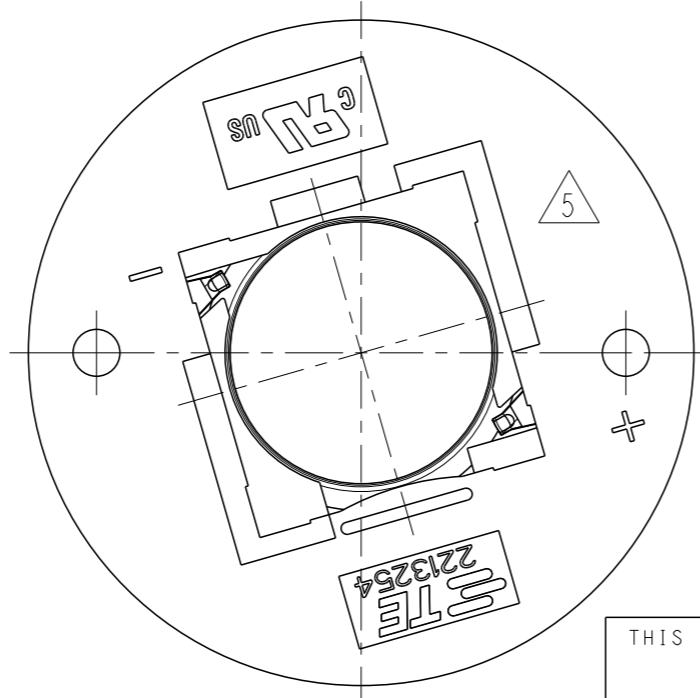
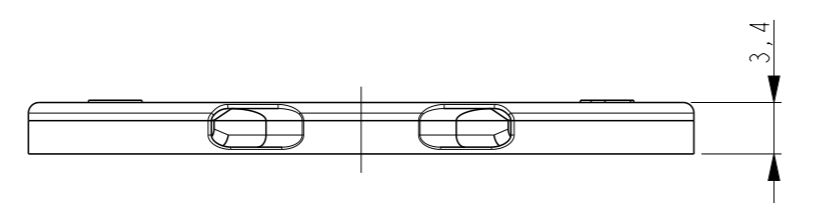
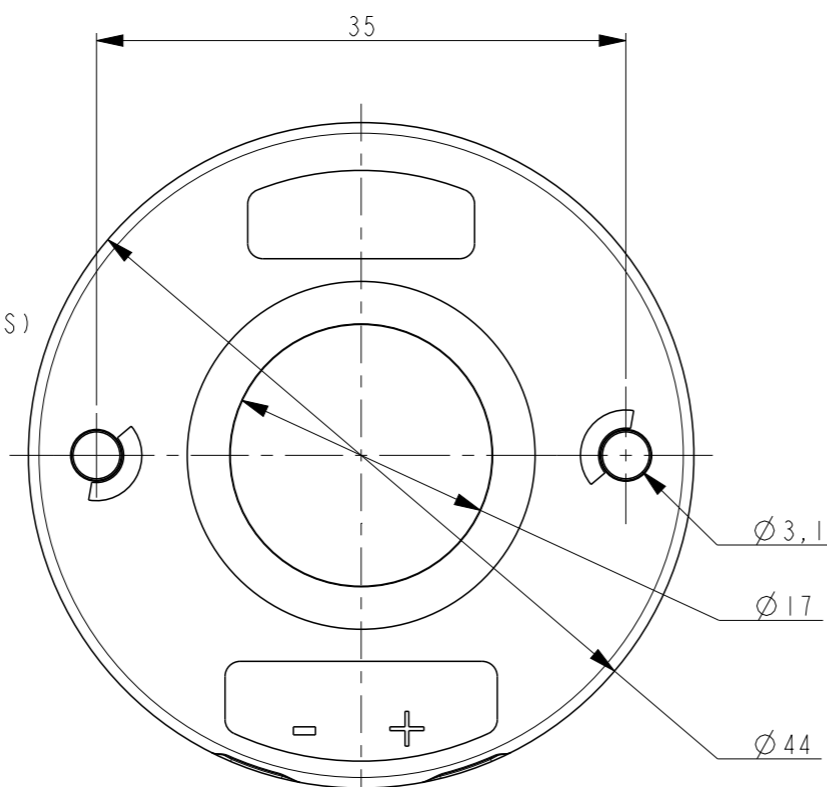


THIS DRAWING IS UNPUBLISHED. RELEASED FOR PUBLICATION  
 © COPYRIGHT - BY TYCO ELECTRONICS CORPORATION. ALL RIGHTS RESERVED.

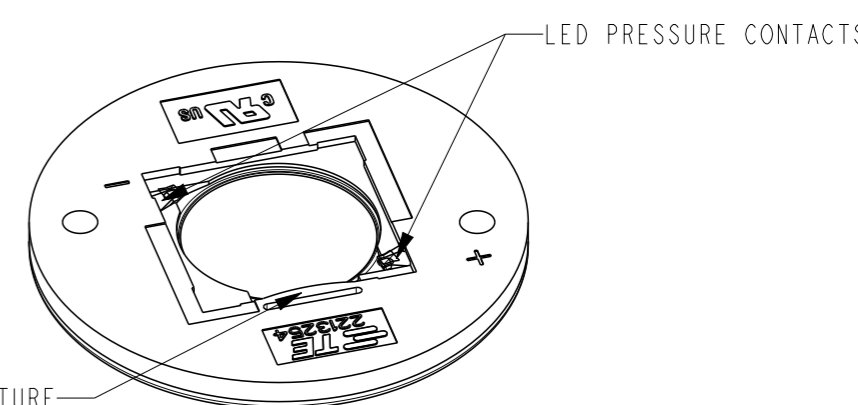
LOC	DIST	REVISIONS					
		P	LTR	DESCRIPTION	DATE	DWN	APVD
H	-		B1	ADDED INSERT	29JUN2017	RK	OL
			B2	ECR-18-006270	30APR2018	GCM	DD
			B3	ECR-18-011107	17JUL2018	SR	DD
			B4	ECR-19-000064	04JAN2019	SR	DD

NOTES:

- MATERIALS:  
HOUSING: GLASS FILLED PBT, HALOGEN FREE FLAME RETARDENT  
COLOR : NATURAL/WHITE  
CONTACTS: SILVER PLATED COPPER ALLOY
- FOR SOLID AND STRANDED WIRE AWG 22-18
- COMPLIES WITH DIRECTIVE 2002/95/EC (ROHS)
- M3 SCREW TO BE USED FOR MOUNTING
- DATE CODE YY-WW-D ANY WHERE EXCEPT OVER LOGO OR +/- SIGN.
- FOR COB-TO-HOLDER CROSS REFERENCE, REFER TO APPLICATION SPECIFICATION 114-32208.



SCALE 3:2



2213254-1 AS SHOWN

LUMAWISE LED HOLDER Z50 LOW PROFILE

2213254-2	LUMAWISE LED HOLDER Z50 STANDARD PROFILE 1919
2213254-1	LUMAWISE LED HOLDER Z50 LOW PROFILE 1919
PART NUMBER	DESCRIPTION

THIS DRAWING IS A CONTROLLED DOCUMENT.

DIMENSIONS: mm	TOLERANCES UNLESS OTHERWISE SPECIFIED: 0 PLC ±- 1 PLC ±- 2 PLC ±- 3 PLC ±- 4 PLC ±- ANGLES ±- FINISH -
MATERIAL -	

DWN	M.V.ESSEN	6-AUG-13
CHK	M.V.ESSEN	6-AUG-13
APVD	O.I.FIJNSE	6-AUG-13
PRODUCT SPEC	108-133008	
APPLICATION SPEC	114-32048	
WEIGHT	-	
CUSTOMER DRAWING		

<b>TE</b> TE Connectivity			
NAME LUMAWISE LED HOLDER Z50 1919			
SIZE	CAGE CODE	DRAWING NO	RESTRICTED TO
A3	00779	C-2213254	-
SCALE 2:1		SHEET 1 OF 3	REV B4

THIS DRAWING IS UNPUBLISHED.

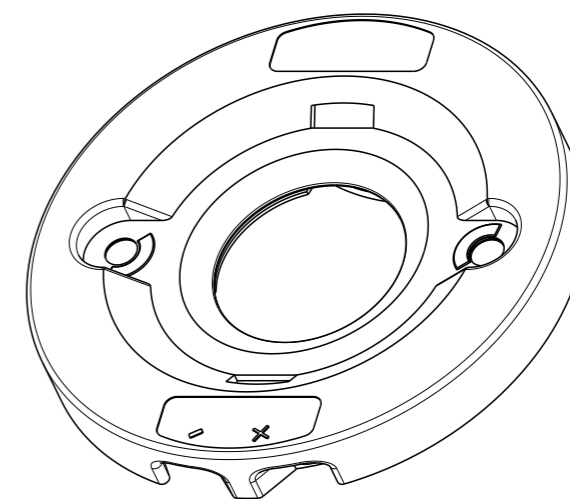
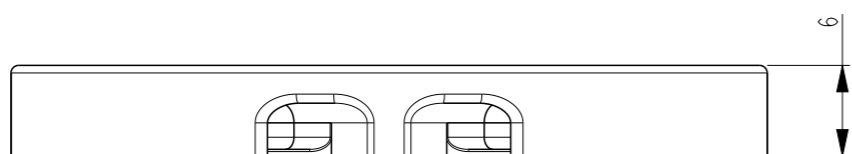
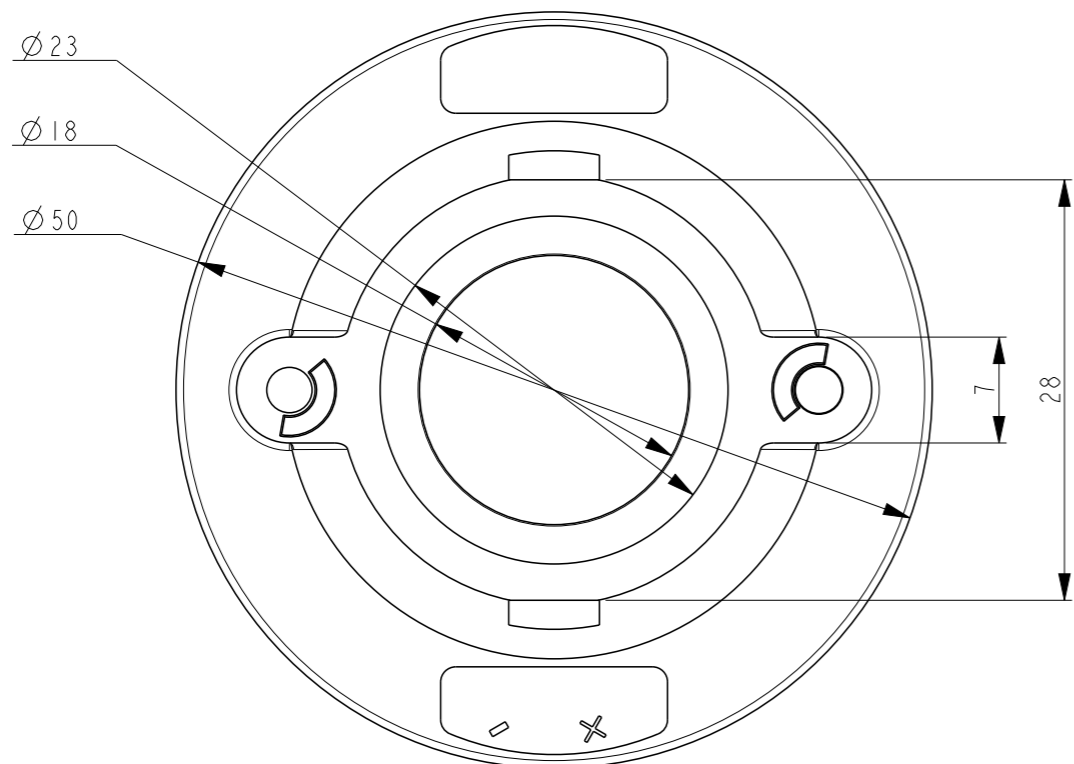
RELEASED FOR PUBLICATION

© COPYRIGHT - BY TYCO ELECTRONICS CORPORATION. ALL RIGHTS RESERVED.

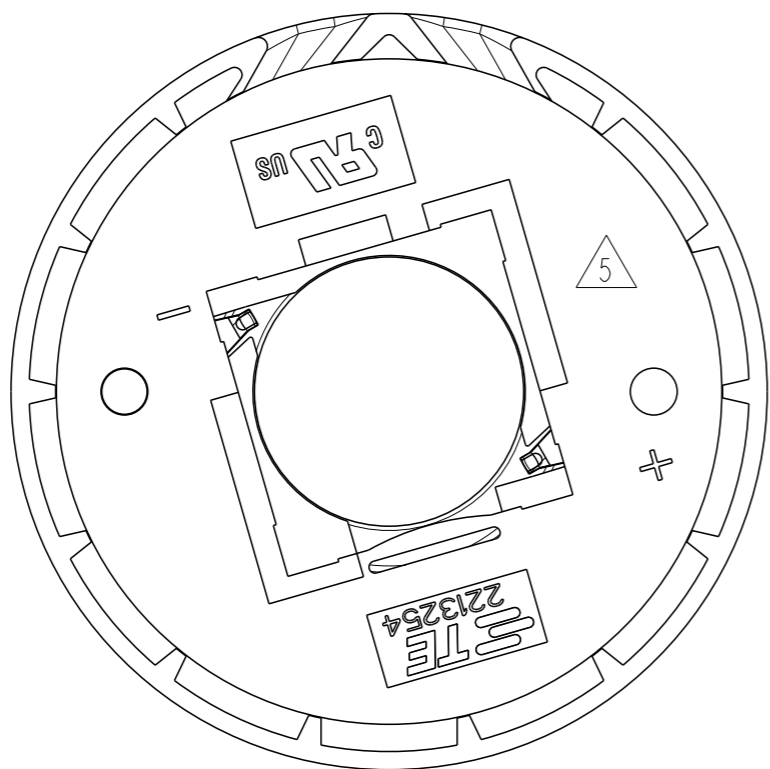
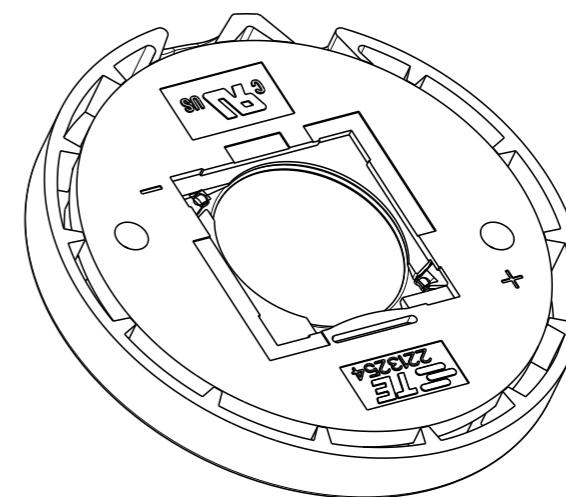
LOC DIST

REVISIONS

P	LTR	DESCRIPTION	DATE	DWN	APVD
	-	SEE SHEET 1	-	-	-



SCALE 3:2



2213254-2 AS SHOWN

LUMAWISE LED HOLDER Z50 STANDARD PROFILE

THIS DRAWING IS A CONTROLLED DOCUMENT.

DIMENSIONS:	TOLERANCES UNLESS OTHERWISE SPECIFIED:
mm	
	0 PLC ±-
	1 PLC ±±
	2 PLC ±±
	3 PLC ±±
	4 PLC ±±
	ANGLES ±-
MATERIAL	FINISH
-	-
-	-

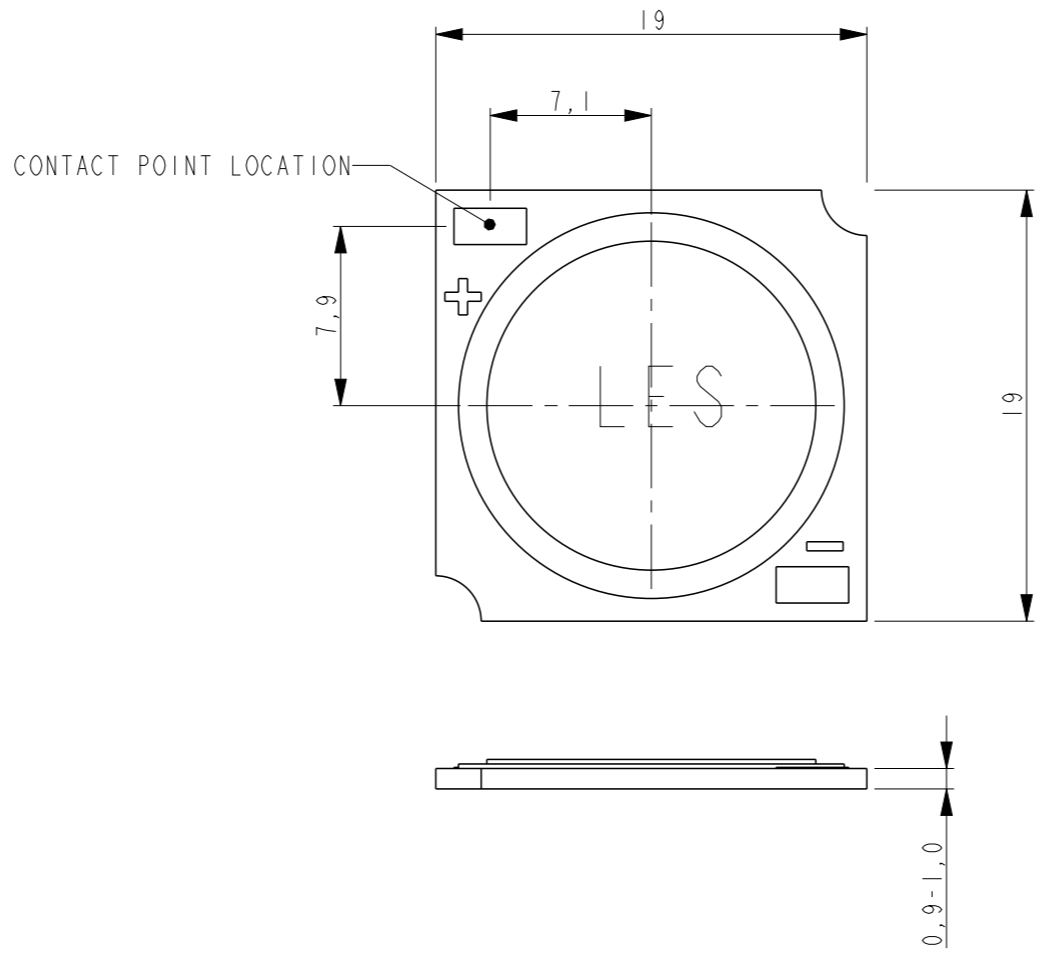
DWN	M.V.ESSEN	6-AUG-13
CHK	M.V.ESSEN	6-AUG-13
APVD	O.I.FIJNSE	6-AUG-13
PRODUCT SPEC	108-133008	
APPLICATION SPEC	114-32048	
WEIGHT	-	
CUSTOMER DRAWING		


		TE Connectivity	
		NAME	
LUMAWISE LED HOLDER Z50		1919	
SIZE	CAGE CODE	DRAWING NO	RESTRICTED TO
A3	00779	G-2213254	-
SCALE 2:1		SHEET 2 OF 3	REV B4

THIS DRAWING IS UNPUBLISHED. RELEASED FOR PUBLICATION  
 © COPYRIGHT - BY TYCO ELECTRONICS CORPORATION. ALL RIGHTS RESERVED.

LOC	DIST	REVISIONS			
P	LTR	DESCRIPTION	DATE	DWN	APVD
	-	SEE SHEET 1	-	-	-

THE SKETCH BELOW IS SHOWING THE NOMINAL LED COB DIMENSIONS TO MATCH WITH THE Z50 LED HOLDER 1919  
 FOR TECHNICAL DETAILS ABOUT A PROPER MATCH WITH A SPECIFIC LED COB ARRAY PLEASE CONTACT A REPRESENTATIVE AT TE-CONNECTIVITY



THIS DRAWING IS A CONTROLLED DOCUMENT.		DWN M.V.ESSSEN 6-AUG-13	 TE Connectivity		
DIMENSIONS: mm		CHK M.V.ESSSEN 6-AUG-13			
TOLERANCES UNLESS OTHERWISE SPECIFIED:		APVD O.L.FIJNSE 6-AUG-13	NAME LUMAWISE LED HOLDER Z50 1919		
0 PLC ±- 1 PLC ±- 2 PLC ±- 3 PLC ±- 4 PLC ±- ANGLES ±-		PRODUCT SPEC 108-133008	RESTRICTED TO		
MATERIAL		APPLICATION SPEC 114-32048	SIZE A3	CAGE CODE 00779	DRAWING NO C-2213254
FINISH		WEIGHT	SCALE 2:1		
		CUSTOMER DRAWING	SHEET 3 OF 3		
			REV B4		

## X-ON Electronics

Largest Supplier of Electrical and Electronic Components

*Click to view similar products for [LED Lighting Mounting Accessories](#) category:*

*Click to view products by [TE Connectivity](#) manufacturer:*

Other Similar products are found below :

[C16142\\_HEKLA-SOCKET-K](#) [3SU1401-1BG20-1AA0](#) [3SU1900-0BC31-0NB0](#) [ES16-RT](#) [1SFA616921R2042](#) [1SFA616921R2131](#)  
[1SFA616921R2133](#) [1SFA616921R2143](#) [1SFA611621R1093](#) [B8910020](#) [D3980022](#) [E3990022](#) [E3990040](#) [CABI12 E BK 1M SET PRM](#)  
[FLAT8 H/U BK 1M SET PRM](#) [BEGTIN12 J/S BK 1M SET PRM](#) [1-2213678-6](#) [C16791\\_CLAMP-Z45-A](#) [F17250\\_SOLDER-CLIP-A](#) [CM22-](#)  
[4-20MA](#) [CM22-R10K-MT](#) [CM22-R1K](#) [CM22-R50K](#) [CM22-R5K-MT](#) [CM22-SLR](#) [10465](#) [M22-A](#) [M22-CK11](#) [M22-CK20](#) [M22G-XGPV](#)  
[M22-K01](#) [M22-LCH-W](#) [M22-LC-R](#) [M22-LED230-R](#) [M22-LED230-W](#) [M22-LEDC230-G](#) [M22-LEDC-G](#) [M22-LEDC-W](#) [M22-LED-G](#)  
[M22-LED-W](#) [M22-L-G](#) [M22-LH-G](#) [M22-LH-R](#) [M22-LH-W](#) [M22-L-R](#) [M22-L-W](#) [M22-L-X](#) [M22-MS](#) [M22-R10K](#) [M22-R1K](#)