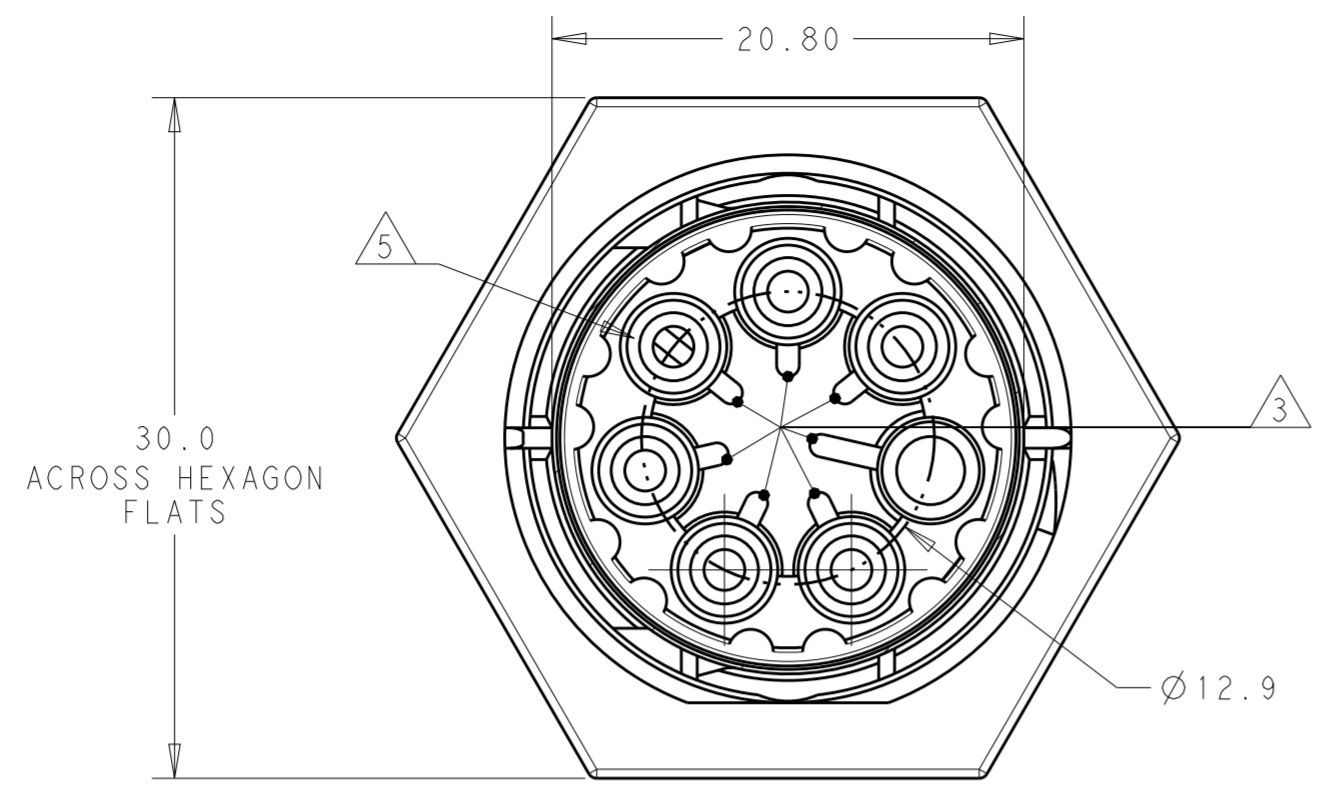


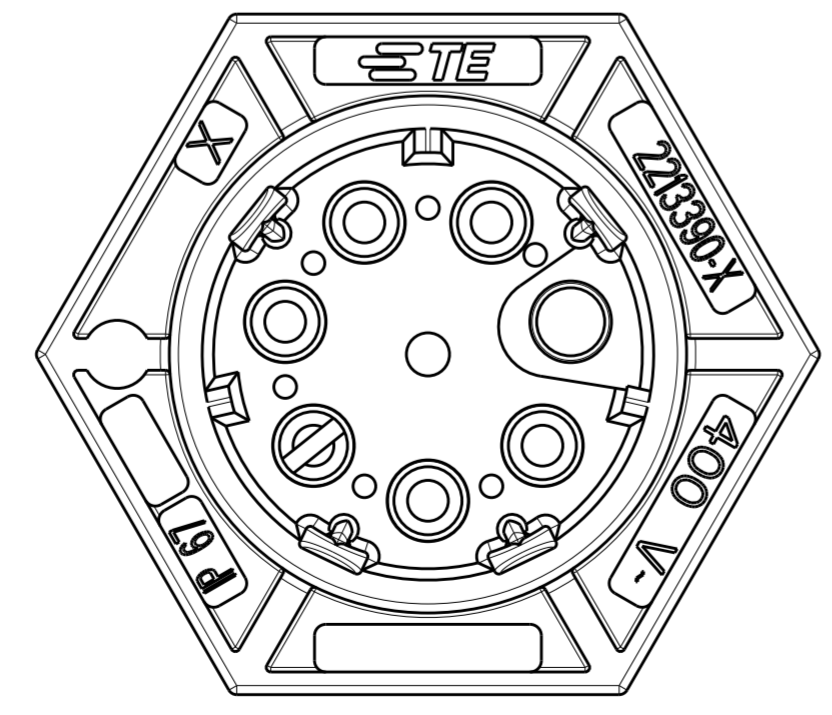
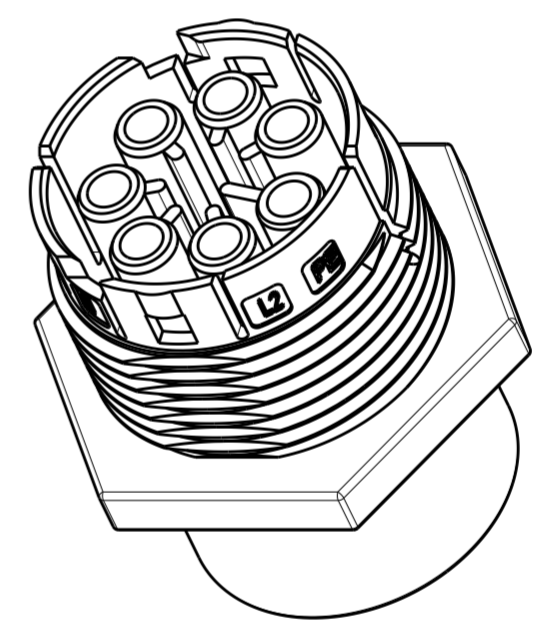
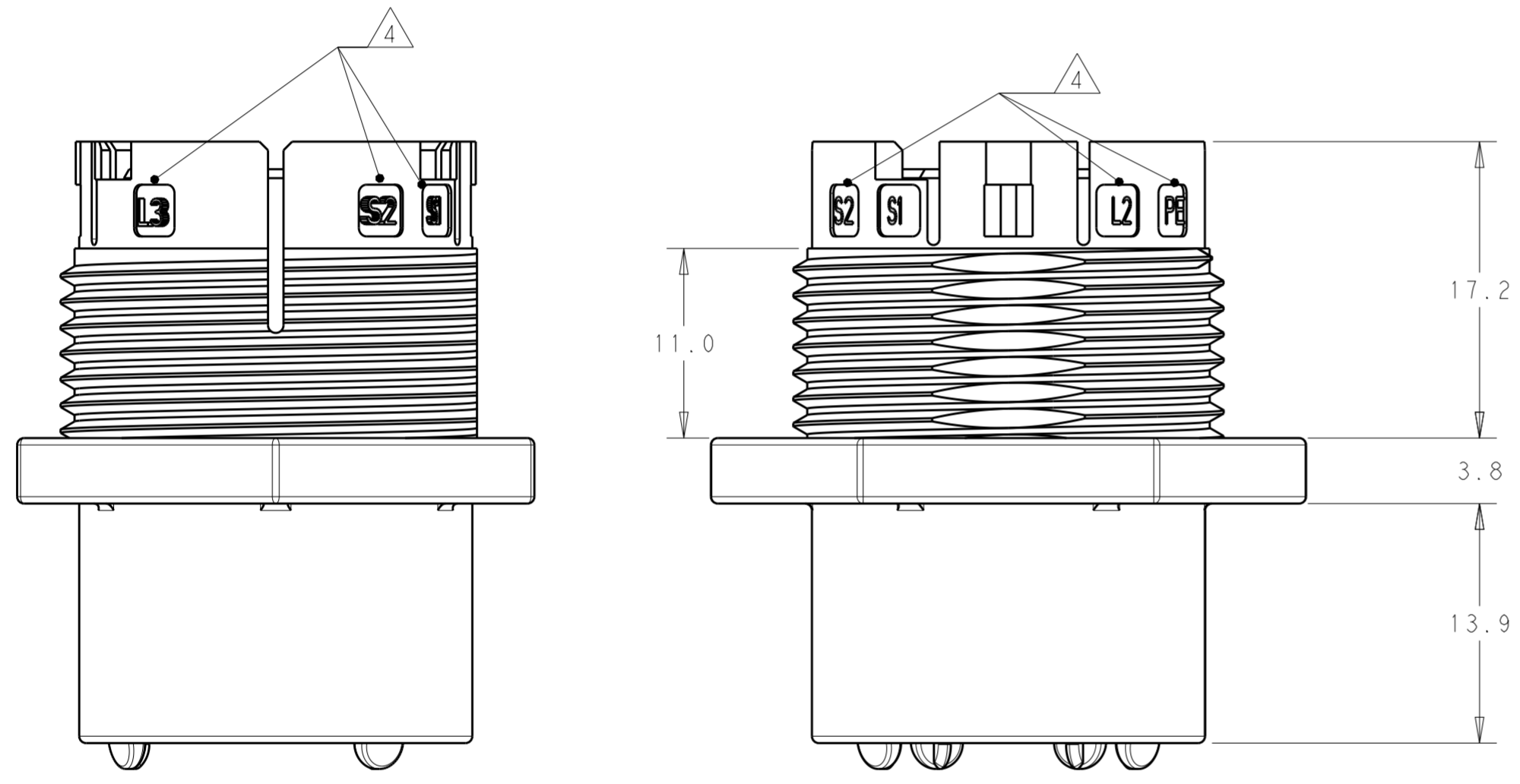
THIS DRAWING IS UNPUBLISHED. RELEASED FOR PUBLICATION 20  
 © COPYRIGHT 20 BY - ALL RIGHTS RESERVED.

| REVISIONS |     |                              |           |     |      |
|-----------|-----|------------------------------|-----------|-----|------|
| P         | LTR | DESCRIPTION                  | DATE      | DWN | APVD |
| A         |     | REVISED AS PER ECR-15-005925 | 21APR2015 | RS  | JL   |
| B         |     | REVISED AS PER ECR-16-000859 | 08MAR2016 | RS  | JL   |
| B1        |     | ECR-18-006945                | 03JUL2018 | SR  | MZ   |



NOTES:

1. MATERIAL: GLASS FILLED PBT, COLOR: BLACK
2. MUST COMPLY WITH DIRECTIVE 2002/95/EC (ROHS)
3. ALL POLARIZATION KEYS SHOWN FOR REF ONLY.
4. CIRCUIT I.D.
5. CIRCUIT "L3" IS BLOCKED TO PREVENT CONTACT INSTALLATION.
6. THIS PRODUCT HAS NOT COMPLETED VALIDATION TESTING



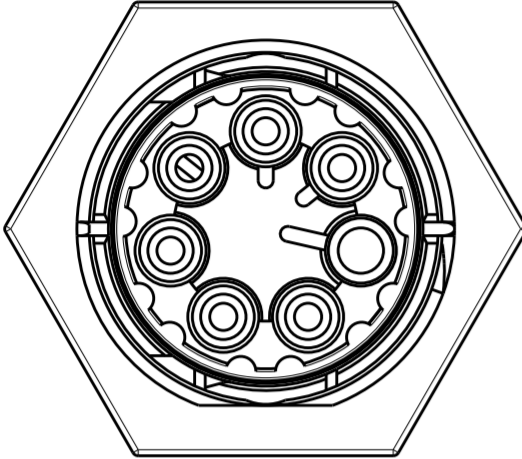
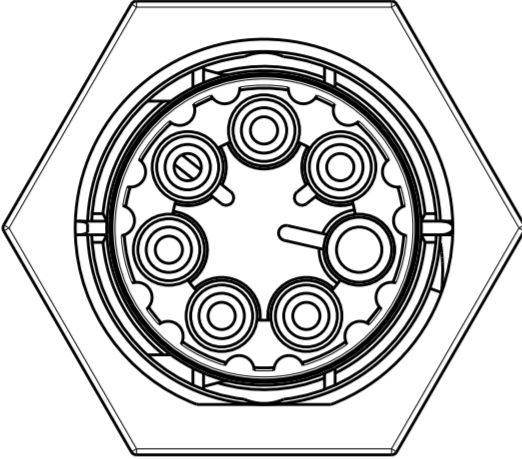
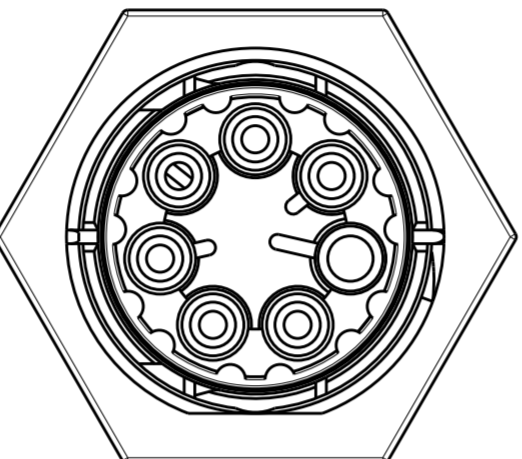
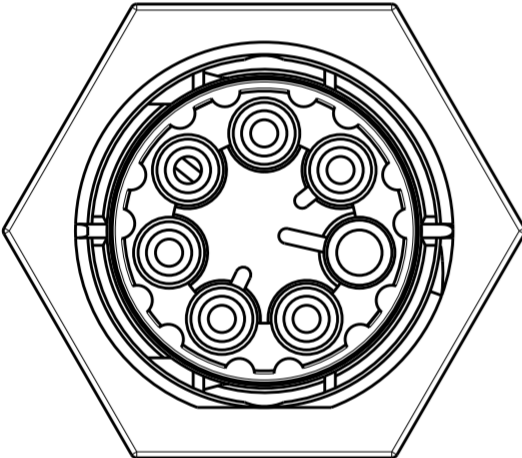
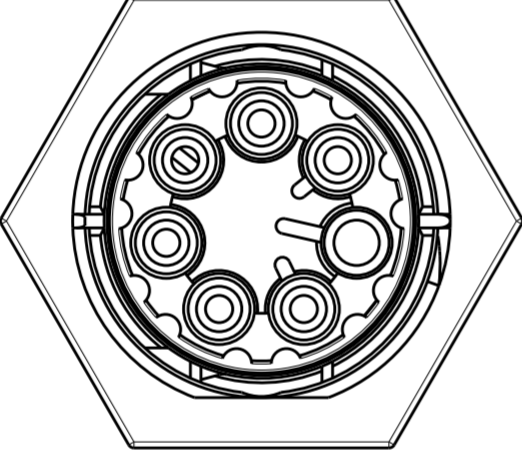
|          |                     |                                       |             |
|----------|---------------------|---------------------------------------|-------------|
| OBSOLETE | E                   | PANEL MT SKT. SEALED NECTOR M, 6 POLE | 2213262-5   |
|          | D                   | PANEL MT SKT. SEALED NECTOR M, 6 POLE | 2213262-4   |
|          | C                   | PANEL MT SKT. SEALED NECTOR M, 6 POLE | 2213262-3   |
|          | B                   | PANEL MT SKT. SEALED NECTOR M, 6 POLE | 2213262-2   |
|          | A                   | PANEL MT SKT. SEALED NECTOR M, 6 POLE | 2213262-1   |
|          | POLARIZATION KEYING |                                       | DESCRIPTION |

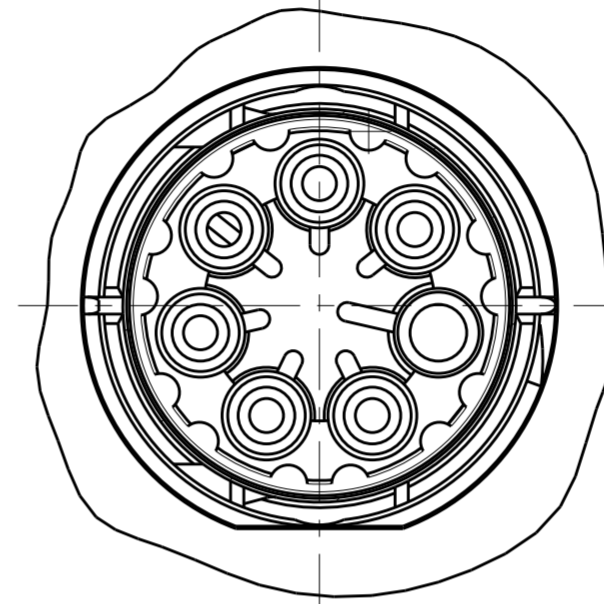
|  |            |                            |   |                 |
|--|------------|----------------------------|---|-----------------|
| THIS DRAWING IS A CONTROLLED DOCUMENT. |            | DWN J. SHAFFER 13NOV2013   | <b>STE</b> TE Connectivity                        |                 |
| DIMENSIONS: mm                         |            | CHK M. LUKSIC 13NOV2013    |   |                 |
| TOLERANCES UNLESS OTHERWISE SPECIFIED: |            | APVD M. LUKSIC 13NOV2013   | NAME PANEL MOUNT, SOCKET; SEALED NECTOR M; 6 POLE |                 |
| 0 PLC ±                                | 1 PLC ±0.2 | PRODUCT SPEC 108-133014    | SIZE A2   | CAGE CODE -     |
| 2 PLC ±0.13                            | 3 PLC ±    | APPLICATION SPEC 114-32111 | DRAWING NO G-2213262                              | RESTRICTED TO - |
| 4 PLC ±                                | ANGLES ±   | WEIGHT -                   | SCALE 2:1   | SHEET 1 OF 2    |
| MATERIAL NOTE 1                        | FINISH -   | Customer Drawing           | REV B1  |                 |

THIS DRAWING IS UNPUBLISHED. RELEASED FOR PUBLICATION 20  
 © COPYRIGHT 20 BY - ALL RIGHTS RESERVED.

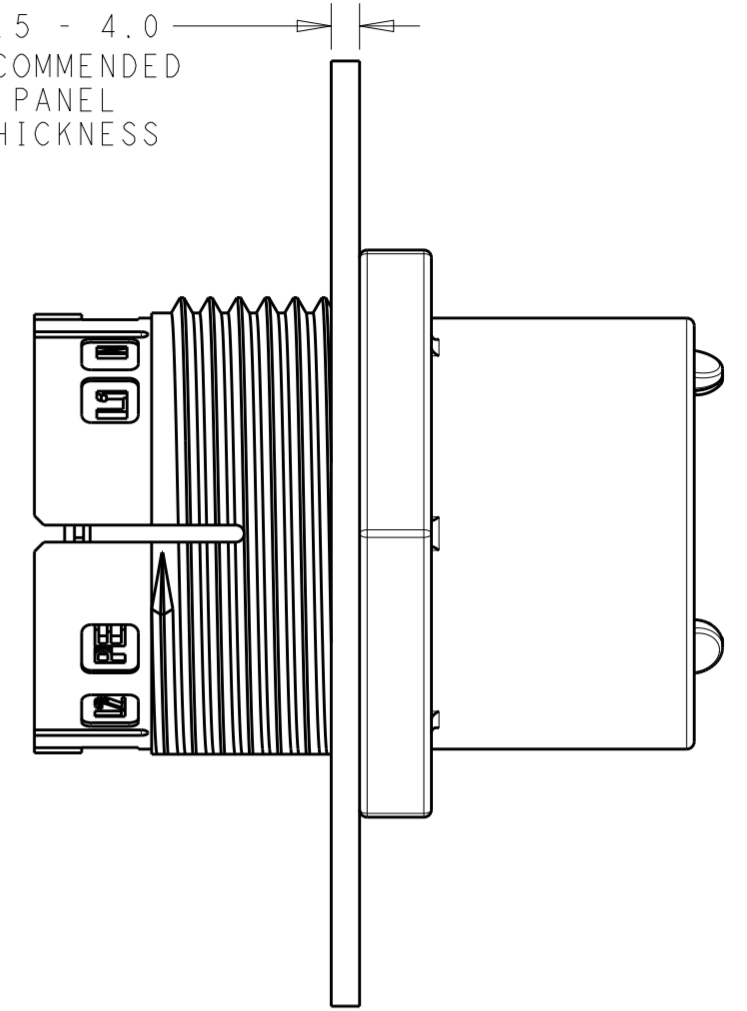
| REVISIONS |     |             |      |      |
|-----------|-----|-------------|------|------|
| P         | LTR | DESCRIPTION | DATE | APVD |
| -         | -   | SEE SHEET 1 | -    | -    |
|           |     |             |      |      |
|           |     |             |      |      |

### POLARIZATION TYPES

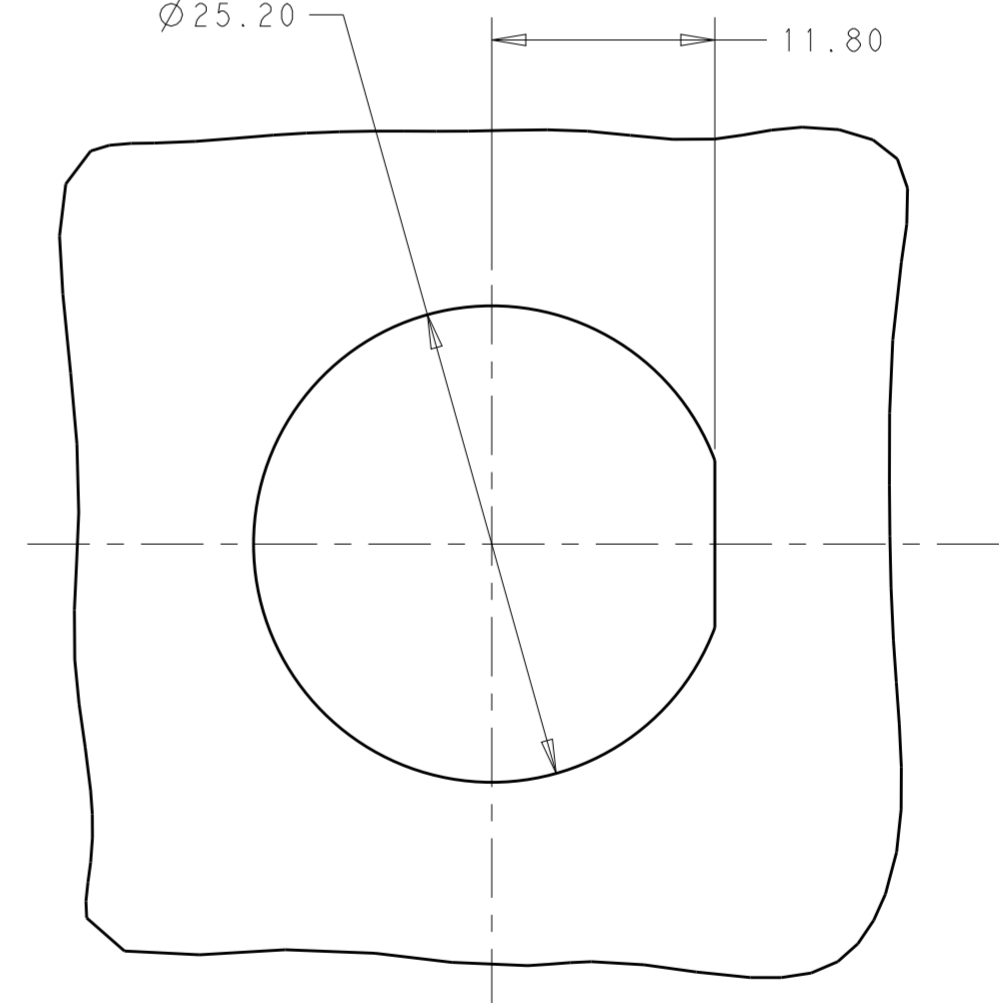
| POLARIZATION TYPE "A"  | POLARIZATION TYPE "B"  | POLARIZATION TYPE "C"  |
|--|--|--|
|   |   |  |
| PN: 2213262-1  | <del>PN: 2213262-2</del>   | <del>PN: 2213262-3</del>   |
| POLARIZATION TYPE "D"  | POLARIZATION TYPE "E"  |  |
|  |  |  |
| <del>PN: 2213262-4</del>   | <del>PN: 2213262-5</del>   |  |



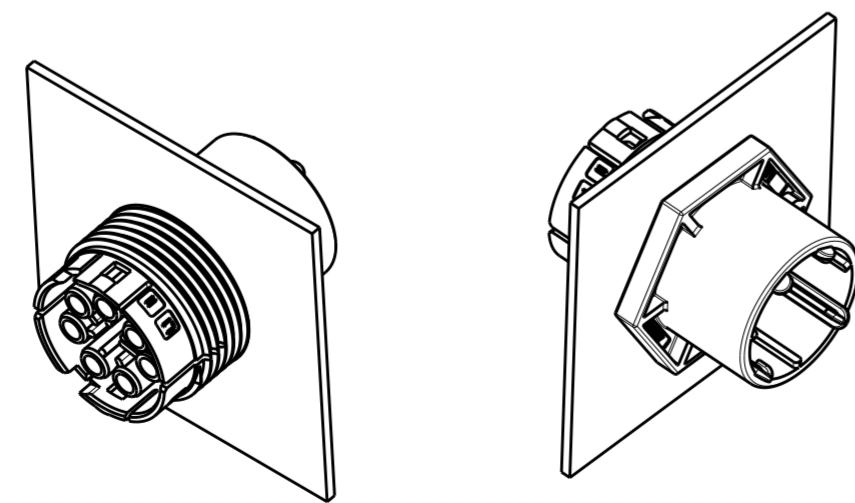
1.5 - 4.0  
 RECOMMENDED  
 PANEL  
 THICKNESS




Ø25.20 11.80



RECOMMENDED  
 PANEL CUTOUT  
 SCALE 5:2



3D VIEWS  
 FOR REFERENCE ONLY

|  |             |                                |   |                    |
|--|-------------|--------------------------------|---|--------------------|
| THIS DRAWING IS A CONTROLLED DOCUMENT. |             | DWN<br>J. SHAFFER<br>13NOV2013 |  TE Connectivity |                    |
| DIMENSIONS:<br>mm                      |             | CHK<br>M. LUKSIC<br>13NOV2013  |   |                    |
| TOLERANCES UNLESS OTHERWISE SPECIFIED: |             | APVD<br>M. LUKSIC<br>13NOV2013 | NAME<br>PANEL MOUNT, SOCKET;<br>SEALED NECTOR M; 6 POLE   |                    |
| 0 PLC ±                                | 1 PLC ±0.2  | PRODUCT SPEC<br>108-133014     | SIZE<br>A2  | CAGE CODE<br>-     |
| 2 PLC ±0.13                            | 3 PLC ±     | APPLICATION SPEC<br>114-32111  | DRAWING NO<br>G-2213262   | RESTRICTED TO<br>- |
| 4 PLC ±                                | ANGLES ±    | WEIGHT<br>-                    | SCALE<br>2:1  | SHEET<br>2 OF 2    |
| MATERIAL<br>NOTE 1                     | FINISH<br>- | Customer Drawing               | REV<br>B1   |                    |

## X-ON Electronics

Largest Supplier of Electrical and Electronic Components

*Click to view similar products for [Lighting Connectors](#) category:*

*Click to view products by [TE Connectivity](#) manufacturer:*

Other Similar products are found below :

[293300-7](#) [293660-5](#) [CNX\\_H03\\_NTP](#) [30-9767-BU](#) [3605](#) [3-21030-1](#) [ZCH-110-RGB-I](#) [503471-0290](#) [ZCH-110-RGB-J](#) [217-0716-200](#)  
[1954563-1](#) [1-293657-2](#) [2834036-1](#) [2834037-1](#) [1-2213222-4](#) [2-2213222-4](#) [2213222-4](#) [2834122-3](#) [2834122-5](#) [2834135-2](#) [FLA-R4142-30](#)  
[FLA-R4162-30](#) [FLA-R2142-30](#) [FLA-R2141-30](#) [FLA-R2162-30](#) [FLA-R2161-30](#) [FLA-R0161-30](#) [FLA-R0141-30](#) [FLA-R0142-30](#) [FLA-](#)  
[R0162-30](#) [FLA-C00-00](#) [DGA00010553](#) [CNXV04NTP](#) [104128-0610](#) [503485-0000 \(Cut Strip\)](#) [503485-0000 \(Loose Piece\)](#) [503485-0000](#)  
[\(MINI Reel\)](#) [1-2834074-2](#) [1-2834074-3](#) [1357-AC PLUG W2C \(CHINA\)](#) [1357-AC PLUG W2 \(USA\)](#) [104266-0110](#) [2106212-1](#) [2-2834074-2](#)  
[104266-0210](#) [293470-1](#) [293651-2](#) [293651-4](#) [1-2834006-2](#) [293651-1](#)