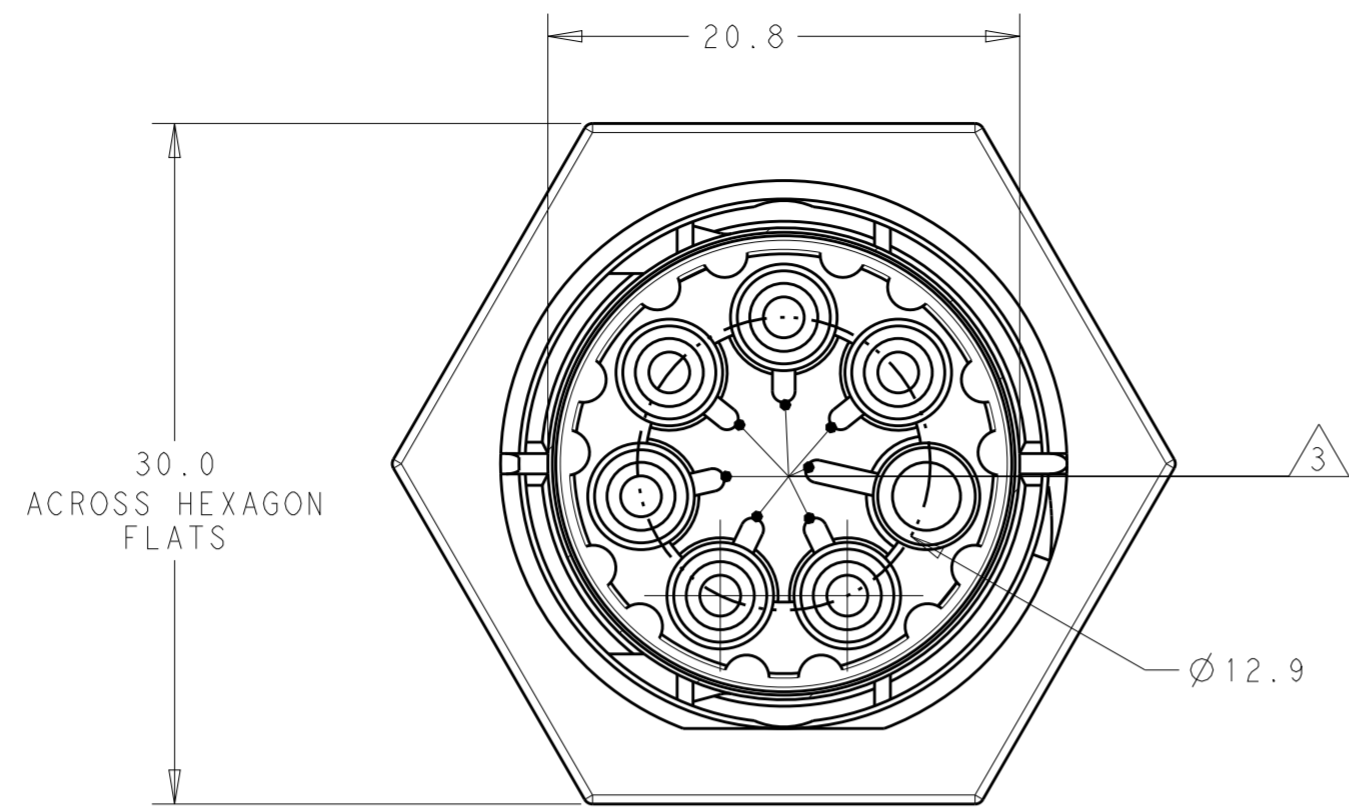


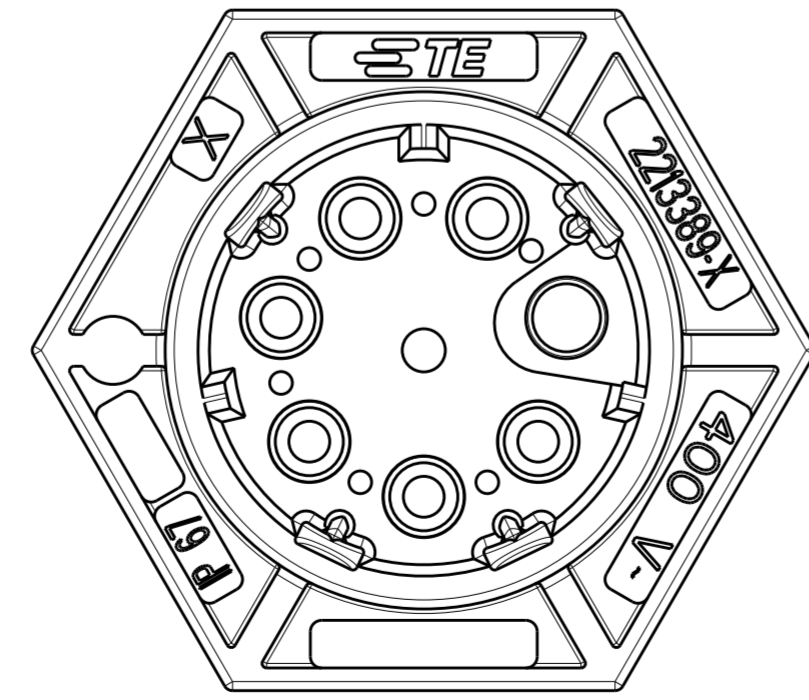
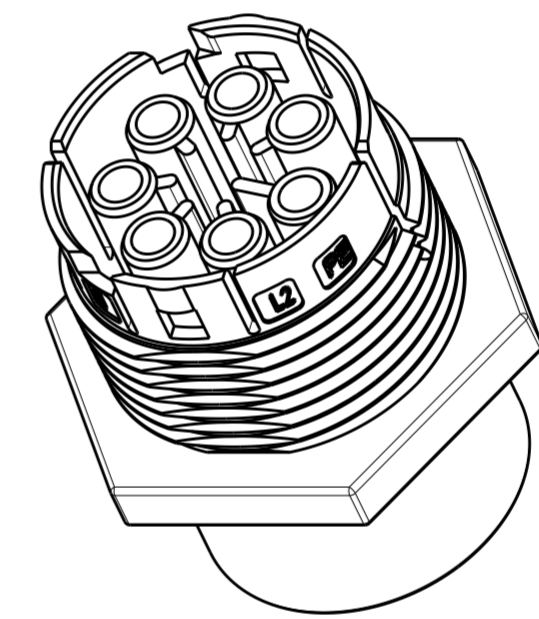
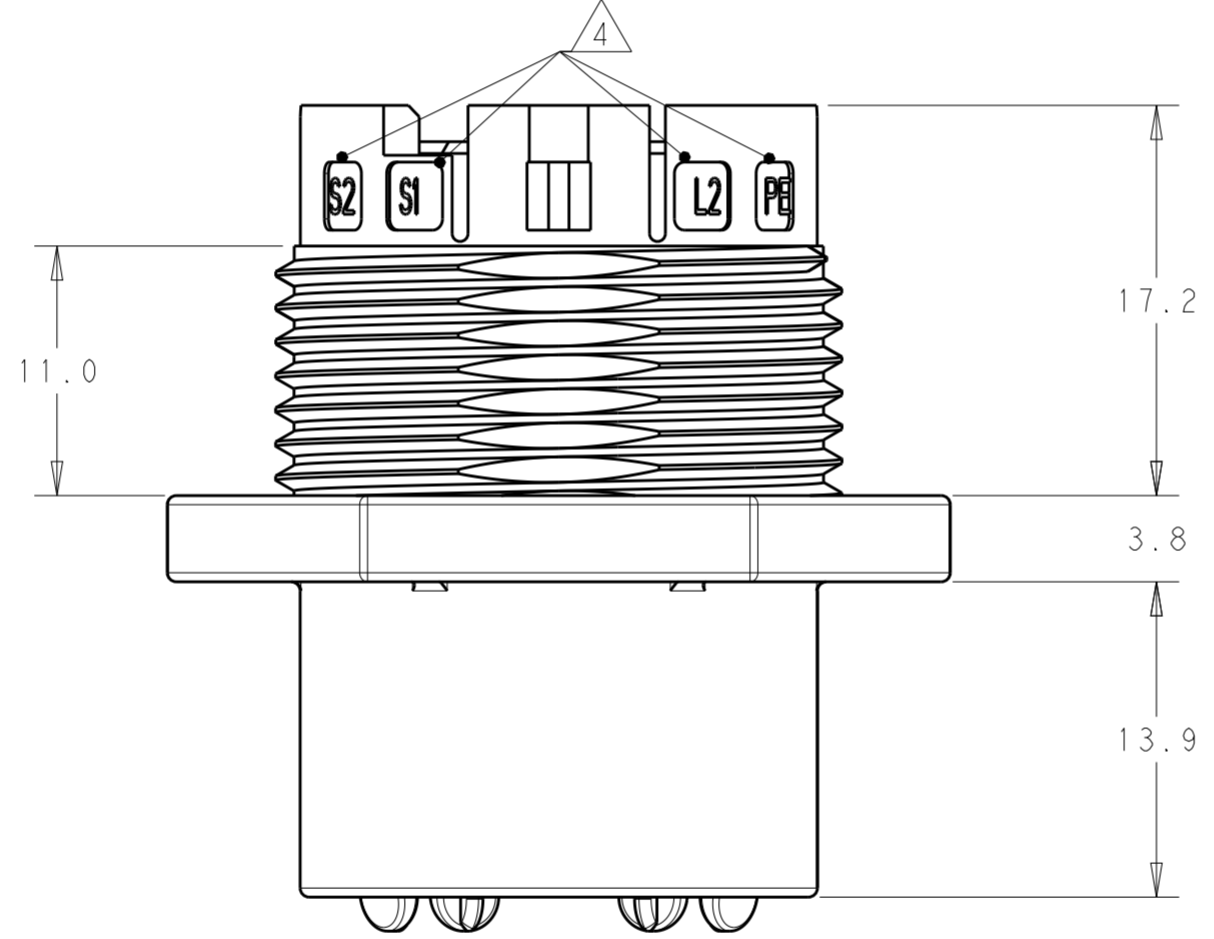
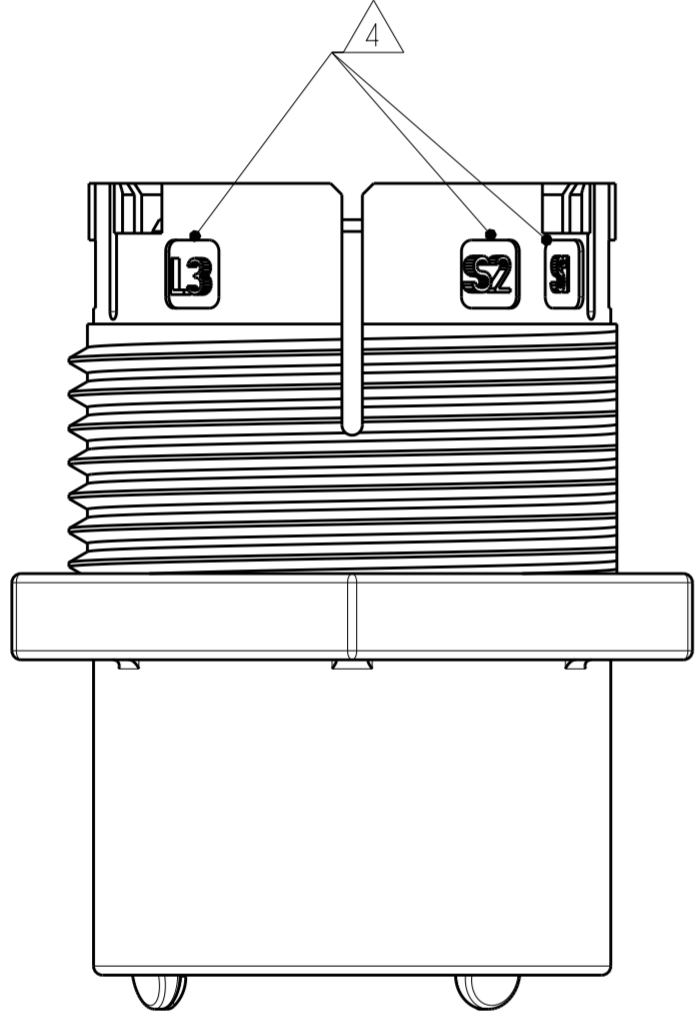
THIS DRAWING IS UNPUBLISHED. RELEASED FOR PUBLICATION 20  
 © COPYRIGHT 20 BY - ALL RIGHTS RESERVED.

REVISIONS					
P	LTR	DESCRIPTION	DATE	DWN	APVD
A		REVISED AS PER ECR-15-005925	21APR2015	RS	JL
B		REVISED AS PER ECR-16-000859	08MAR2016	RS	JL
B1		ECR-18-006945	05JUL2018	SR	MZ



NOTES:

1. MATERIAL: GLASS FILLED PBT, COLOR: BLACK
2. MUST COMPLY WITH DIRECTIVE 2002/95/EC (ROHS)
3. ALL POLARIZATION KEYS SHOWN FOR REF ONLY.
4. CIRCUIT I.D.
5. THIS PRODUCT HAS NOT COMPLETED VALIDATION TESTING

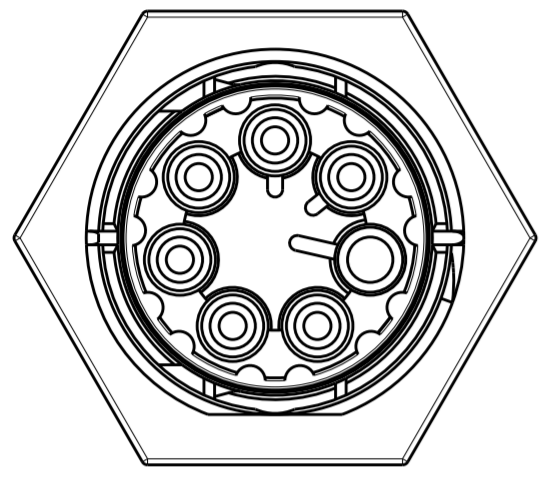
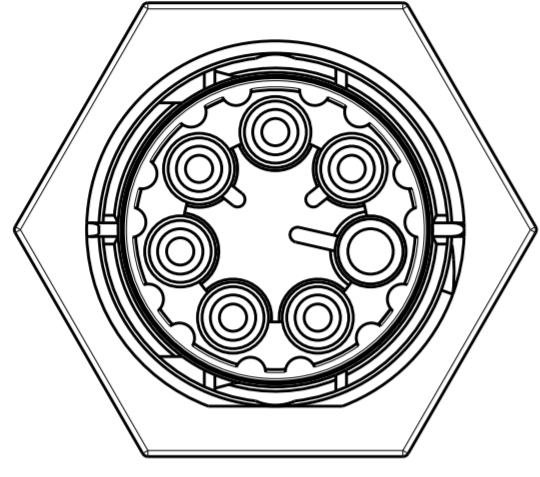
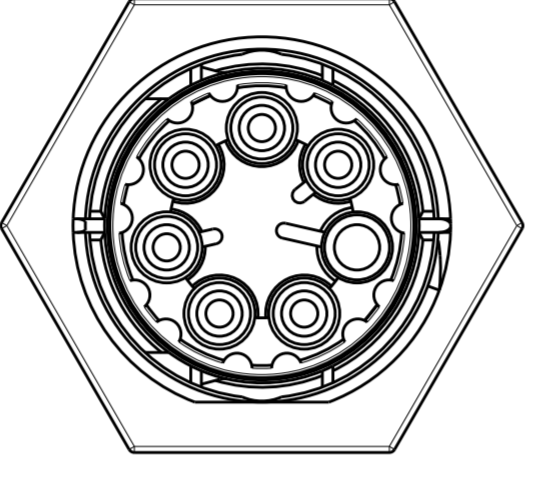
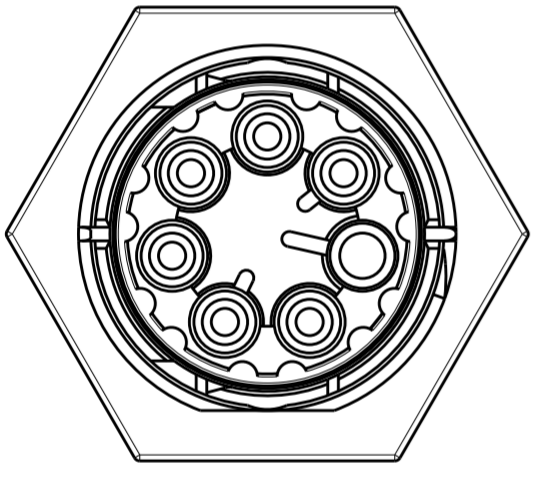
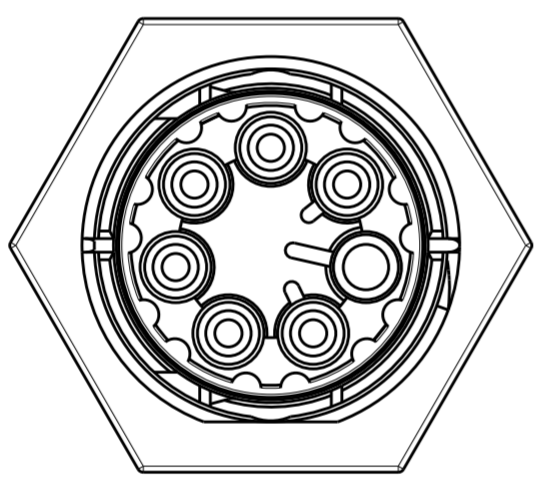


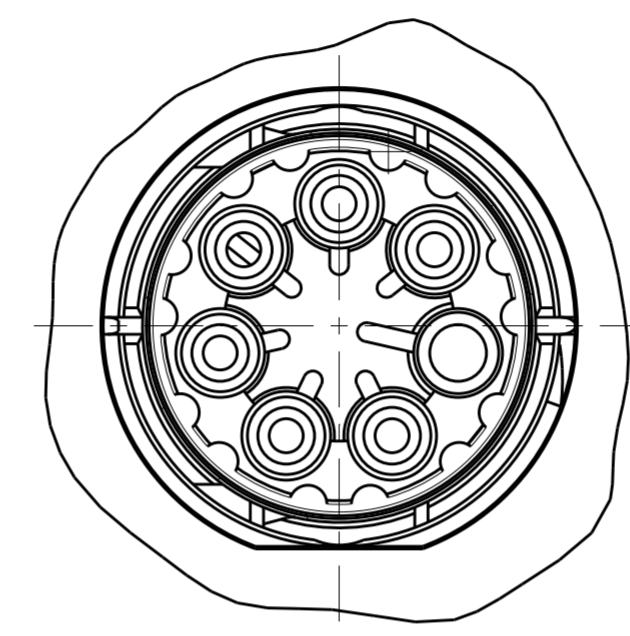
OBSOLETE	E	PANEL MT SKT. SEALED NECTOR M, 7 POLE	2213263-5	
	D	PANEL MT SKT. SEALED NECTOR M, 7 POLE	2213263-4	
	C	PANEL MT SKT. SEALED NECTOR M, 7 POLE	2213263-3	
	B	PANEL MT SKT. SEALED NECTOR M, 7 POLE	2213263-2	
	A	PANEL MT SKT. SEALED NECTOR M, 7 POLE	2213263-1	
	POLARIZATION KEYING		DESCRIPTION	PART NUMBER

THIS DRAWING IS A CONTROLLED DOCUMENT.		DWN J. SHAFFER 12NOV2013	TE Connectivity	
DIMENSIONS: mm		CHK M. LUKSIC 12NOV2013		
TOLERANCES UNLESS OTHERWISE SPECIFIED:		APVD M. LUKSIC 12NOV2013	NAME PANEL MOUNT, SOCKET; SEALED NECTOR M, 7 POLE	
0 PLC ±	±0.2	PRODUCT SPEC 108-133014	SIZE A2	CAGE CODE -
1 PLC ±	±0.13	APPLICATION SPEC 114-32111	DRAWING NO G-2213263	RESTRICTED TO -
2 PLC ±	±	WEIGHT -	SCALE 2:1	SHEET 1 OF 2
3 PLC ±	±	CUSTOMER DRAWING	REV B1	
4 PLC ±	±			
ANGLES	±			
FINISH	-			
NOTE 1	-			

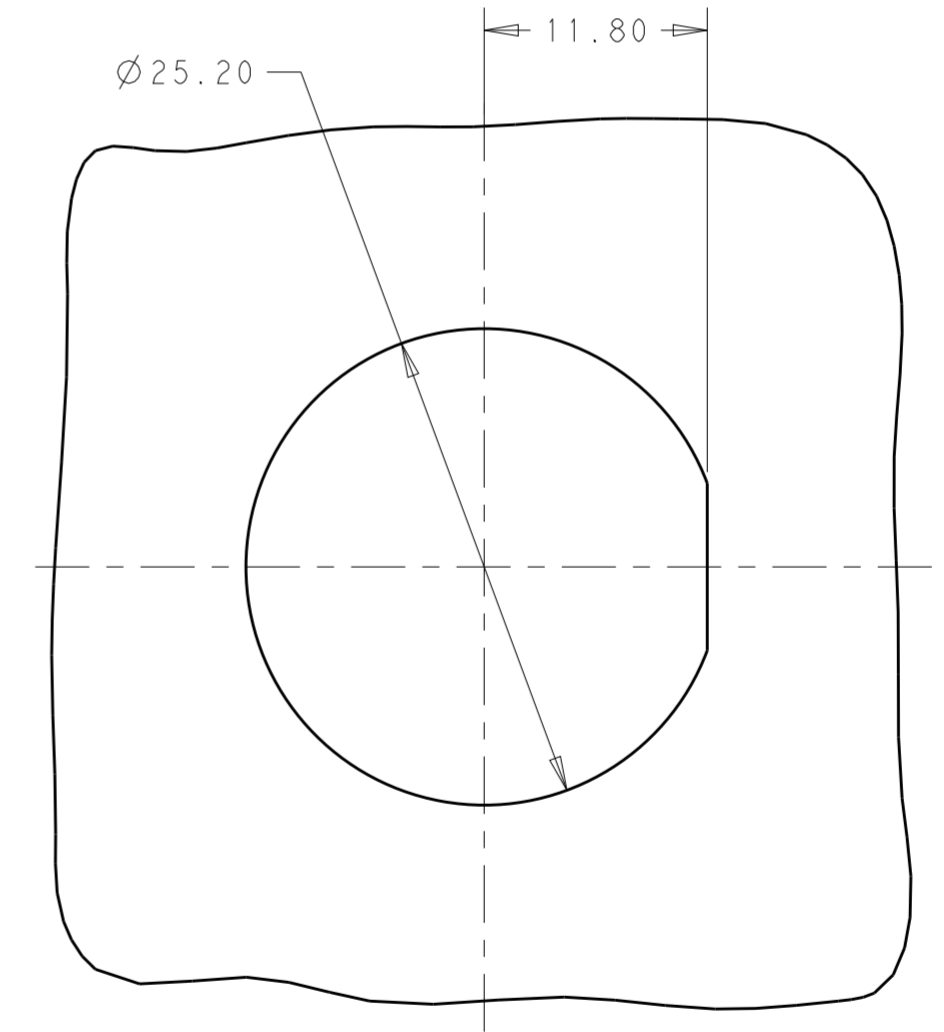
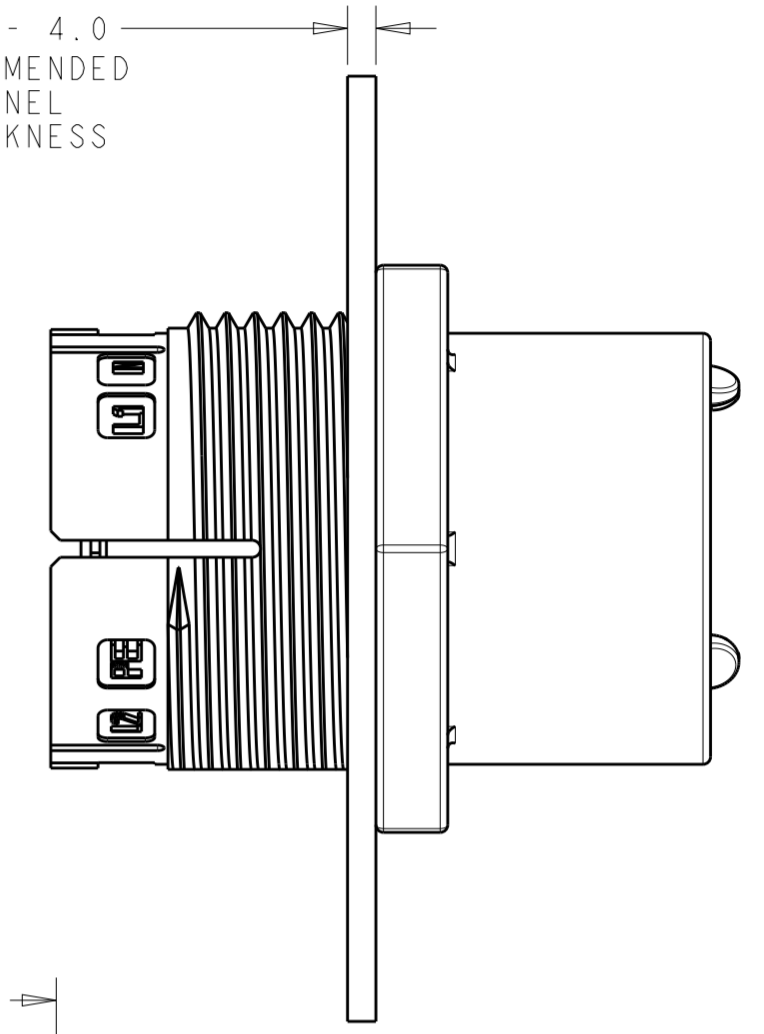
REVISIONS				
P	LTR	DESCRIPTION	DATE	APVD
-		SEE SHEET 1	-	-

### POLARIZATION TYPES

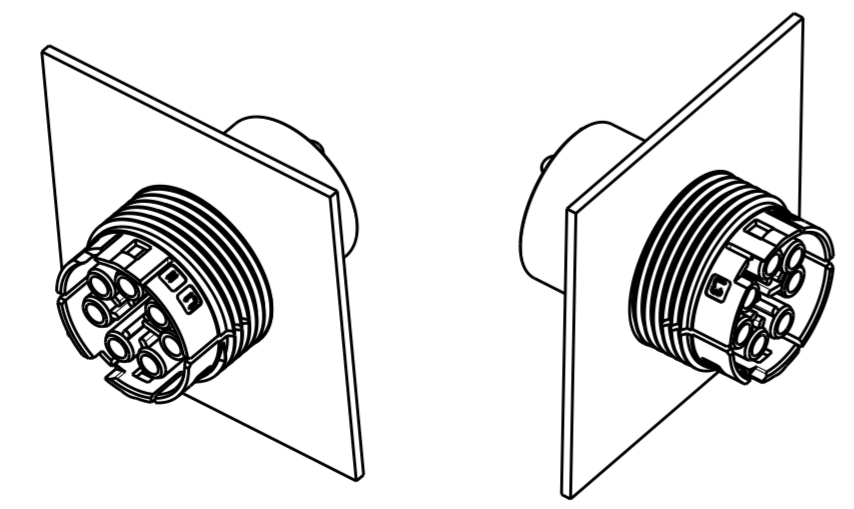
POLARIZATION TYPE "A"	POLARIZATION TYPE "B"	POLARIZATION TYPE "C"
		
PN: 2213263-1	<del>PN: 2213263-2</del>	<del>PN: 2213263-3</del>
POLARIZATION TYPE "D"	POLARIZATION TYPE "E"	
		
<del>PN: 2213263-4</del>	<del>PN: 2213263-5</del>	




1.5 - 4.0  
RECOMMENDED  
PANEL  
THICKNESS



RECOMMENDED  
PANEL CUTOUT  
SCALE 5:2



3D VIEWS  
FOR REFERENCE ONLY

THIS DRAWING IS A CONTROLLED DOCUMENT.		DWN J. SHAFFER 12NOV2013	 TE Connectivity	
		CHK M. LUKSIC 12NOV2013		
		APVD M. LUKSIC 12NOV2013	NAME PANEL MOUNT, SOCKET; SEALED NECTOR M, 7 POLE	
DIMENSIONS: mm		PRODUCT SPEC 108-133014	SIZE A2	
TOLERANCES UNLESS OTHERWISE SPECIFIED:		APPLICATION SPEC 114-32111	CAGE CODE -	
0 PLC ±		WEIGHT -	DRAWING NO G-2213263	
1 PLC ±0.2		RESTRICTED TO -		
2 PLC ±0.13		SCALE 2:1 SHEET 2 OF 2 REV B1		
3 PLC ±		CUSTOMER DRAWING		
4 PLC ±				
ANGLES ±				
FINISH -				
NOTE 1				

## X-ON Electronics

Largest Supplier of Electrical and Electronic Components

*Click to view similar products for [Lighting Connectors](#) category:*

*Click to view products by [TE Connectivity](#) manufacturer:*

Other Similar products are found below :

[293300-7](#) [293660-5](#) [CNX\\_H03\\_NTP](#) [30-9767-BU](#) [3605](#) [3-21030-1](#) [ZCH-110-RGB-I](#) [503471-0290](#) [ZCH-110-RGB-J](#) [217-0716-200](#)  
[1954563-1](#) [1-293657-2](#) [2834036-1](#) [2834037-1](#) [1-2213222-4](#) [2-2213222-4](#) [2213222-4](#) [2834122-3](#) [2834122-5](#) [2834135-2](#) [FLA-R4142-30](#)  
[FLA-R4162-30](#) [FLA-R2142-30](#) [FLA-R2141-30](#) [FLA-R2162-30](#) [FLA-R2161-30](#) [FLA-R0161-30](#) [FLA-R0141-30](#) [FLA-R0142-30](#) [FLA-](#)  
[R0162-30](#) [FLA-C00-00](#) [DGA00010553](#) [CNXV04NTP](#) [104128-0610](#) [503485-0000 \(Cut Strip\)](#) [503485-0000 \(Loose Piece\)](#) [503485-0000](#)  
[\(MINI Reel\)](#) [1-2834074-2](#) [1-2834074-3](#) [1357-AC PLUG W2C \(CHINA\)](#) [1357-AC PLUG W2 \(USA\)](#) [104266-0110](#) [2106212-1](#) [2-2834074-2](#)  
[104266-0210](#) [293470-1](#) [293651-2](#) [293651-4](#) [1-2834006-2](#) [293651-1](#)