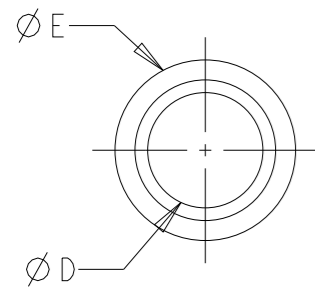
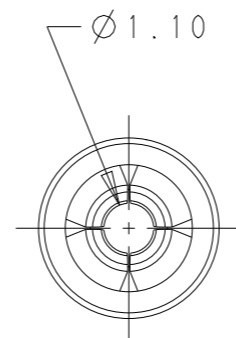
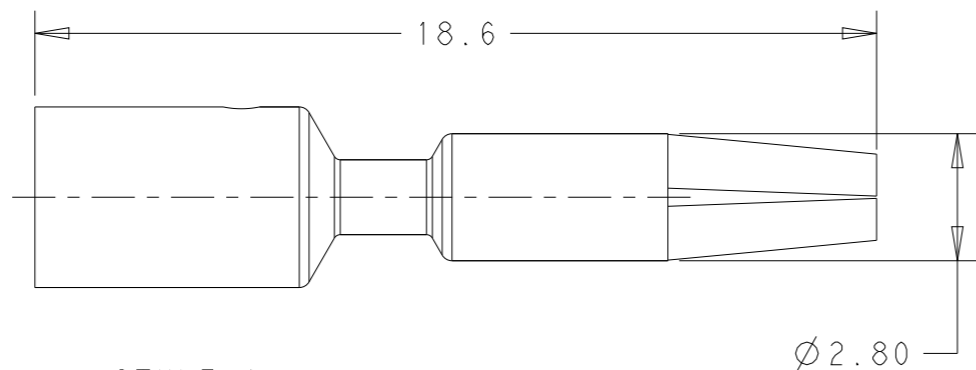
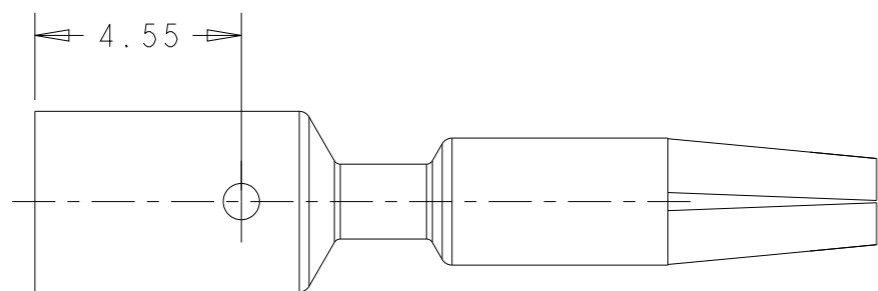
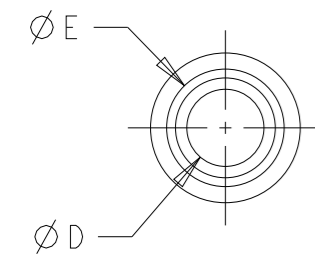
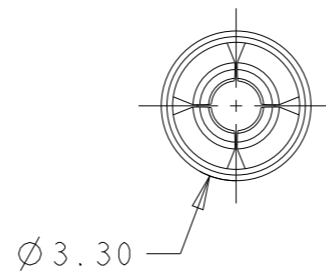
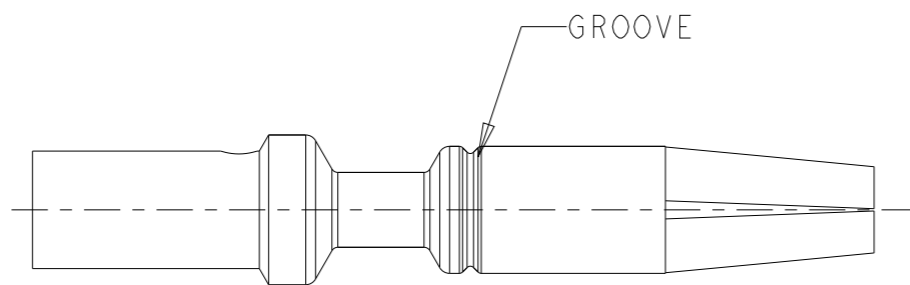
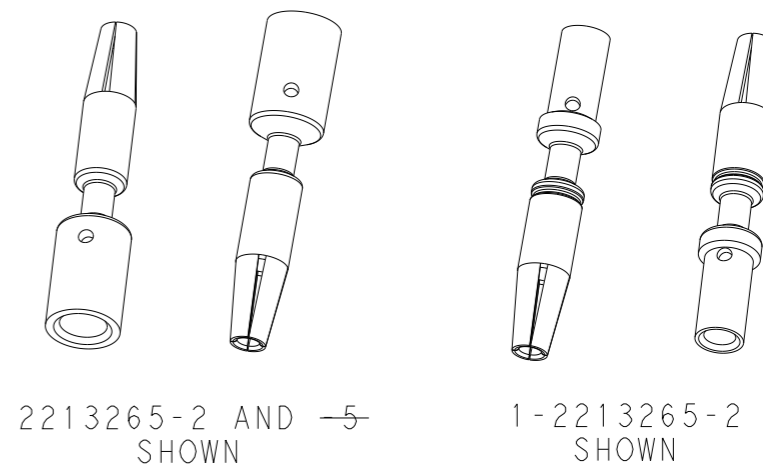


REVISIONS

P	LTR	DESCRIPTION	DATE	DWN	APVD
	A	REVISED AS PER ECR-15-005925	21APR2015	RS	JL
	A1	REVISED AS PER ECR-18-017740	12NOV2018	SR	MZ
	A2	REVISED AS PER ECR-21-107406	06OCT2021	SR	MZ



STYLE A



STYLE B

NOTES:

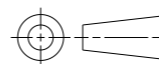
- MATERIALS AND FINISH:
COPPER ALLOY, FINISH: Sn OVER Ni
- MUST COMPLY WITH DIRECTIVE 2002/95/EC (ROHS)
- THIS PRODUCT HAS NOT COMPLETED VALIDATION TESTING

OBSOLETE

16/18	2.59	1.70	1	B	1-2213265-2
14	3.98	2.54	N/A	A	2213265-5
12/14	3.98	2.54	1	A	2213265-2
WIRE (AWG)	DIM. "E"	DIM. "D"	NO OF GROOVES	BARREL STYLE	PART NO

THIS DRAWING IS A CONTROLLED DOCUMENT.

DIMENSIONS:
mm



TOLERANCES UNLESS OTHERWISE SPECIFIED:

0 PLC	±
1 PLC	±0.3
2 PLC	±0.15
3 PLC	±
4 PLC	±
ANGLES	±
FINISH	NOTE 1

MATERIAL
NOTE 1

FINISH
NOTE 1

DWN RAVI.S 28MAY2013
 CHK C GINGRICH 28MAY2013
 APVD C GINGRICH 28MAY2013
 PRODUCT SPEC 108-133014
 APPLICATION SPEC 114-32111
 WEIGHT -



MACHINED SOCKET CONTACT
NECTOR M-LINE

SIZE	CAGE CODE	DRAWING NO	RESTRICTED TO
A3	00779	2213265	-

CUSTOMER DRAWING SCALE 4:1 SHEET 1 OF 1 REV A2

X-ON Electronics

Largest Supplier of Electrical and Electronic Components

Click to view similar products for [Lighting Connectors](#) category:

Click to view products by [TE Connectivity](#) manufacturer:

Other Similar products are found below :

[293300-7](#) [293660-5](#) [CNX_H03_NTP](#) [30-9767-BU](#) [3605](#) [3-21030-1](#) [ZCH-110-RGB-I](#) [503471-0290](#) [ZCH-110-RGB-J](#) [217-0716-200](#)
[1954563-1](#) [1-293657-2](#) [2834036-1](#) [2834037-1](#) [1-2213222-4](#) [2-2213222-4](#) [2213222-4](#) [2834122-3](#) [2834122-5](#) [2834135-2](#) [FLA-R4142-30](#)
[FLA-R4162-30](#) [FLA-R2142-30](#) [FLA-R2141-30](#) [FLA-R2162-30](#) [FLA-R2161-30](#) [FLA-R0161-30](#) [FLA-R0141-30](#) [FLA-R0142-30](#) [FLA-](#)
[R0162-30](#) [FLA-C00-00](#) [DGA00010553](#) [CNXV04NTP](#) [104128-0610](#) [503485-0000 \(Cut Strip\)](#) [503485-0000 \(Loose Piece\)](#) [503485-0000](#)
[\(MINI Reel\)](#) [1-2834074-2](#) [1-2834074-3](#) [1357-AC PLUG W2C \(CHINA\)](#) [1357-AC PLUG W2 \(USA\)](#) [104266-0110](#) [CNXV02NTP](#) [2106212-1](#)
[2-2834074-2](#) [104266-0210](#) [293470-1](#) [293651-2](#) [293651-4](#) [1-2834006-2](#)