

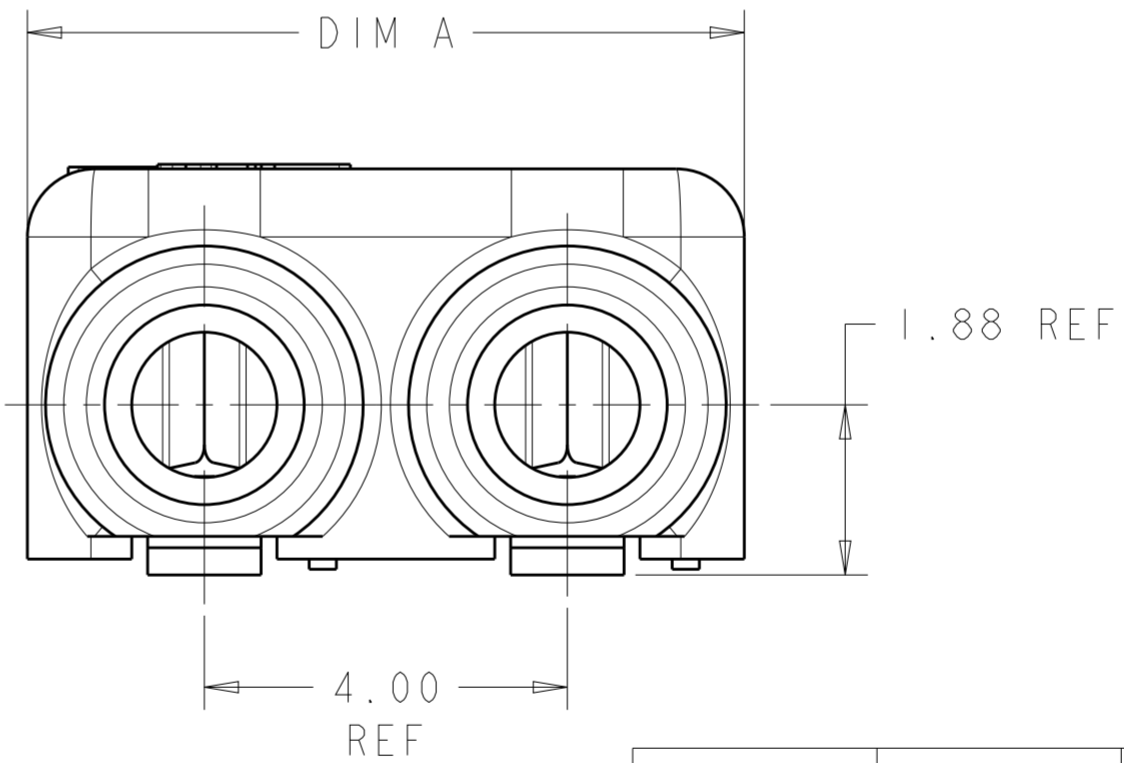
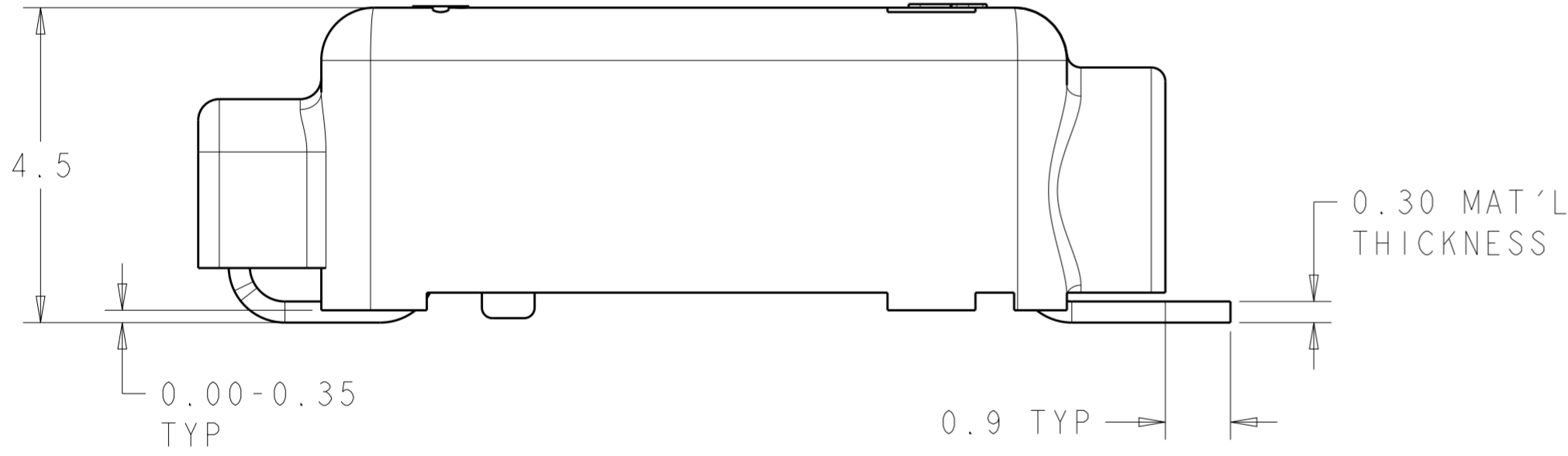
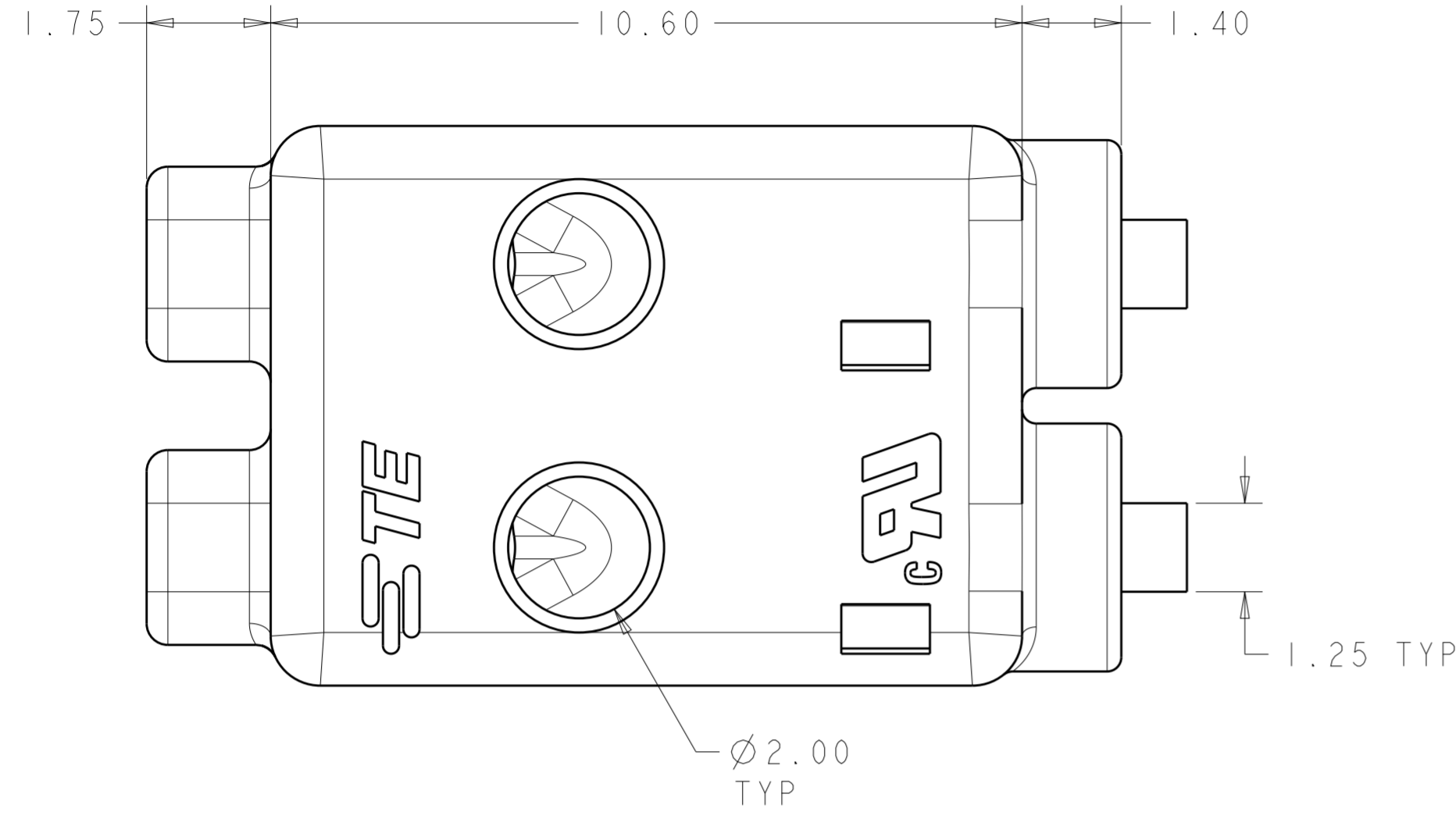
THIS DRAWING IS UNPUBLISHED. RELEASED FOR PUBLICATION 20
 © COPYRIGHT 20 BY - ALL RIGHTS RESERVED.

LOC		DIST		REVISIONS			
P	LTR	DESCRIPTION	DATE	DWN	APVD		
	A	REVISED PER ECR-14-018998	08JAN2015	RS	DD		

NOTES :

- 1. MATERIALS AND FINISH:
 - HOUSING: LCP, COLOR: WHITE
 - CONTACTS: COPPER ALLOY, FINISH: PRE-TIN OVER NICKEL UNDERPLATE
- 2. MUST COMPLY WITH DIRECTIVE 2002/95/EC (ROHS)
- 3. NOTE DELETED.
- 4. WIRE TYPES AND SIZES ACCEPTED
 - SOLID WIRE: 18AWG, 20AWG, 22AWG, 0.75mm², AND 0.5mm²
 - STRANDED WIRE: 18AWG (16 STRANDS MAX), 20AWG (7 STRANDS MAX), 22AWG (7 STRANDS MAX), 0.75mm² (24 STRANDS MAX), AND 0.5mm² (16 STRANDS MAX),
 - PREBOND WIRE: 18AWG (16 STRANDS MAX), 20AWG (7 STRANDS MAX)

MAX INSULATION OD: 2.05mm (.081") MAX.
 STRIP LENGTH: 9.0±1.0 (.354")
- 5. PACKAGED IN TAPE AND REEL



20.00	11.90	2 POSN; SELECT LOAD	1-2213301-2
20.00	11.90	3 POSN	2213301-3
16.00	7.90	2 POSN	2213301-2
12.00	3.90	1 POSN	2213301-1
DIM B	DIM A	NO. OF POSITIONS	PART NO.

THIS DRAWING IS A CONTROLLED DOCUMENT.

DWN: C. DAILY 14JAN2014
 CHK: E. HOWARD 14JAN2014
 APVD:

STE TE Connectivity

NAME: CONNECTOR ASSEMBLY, RELEASABLE POKE-IN

PRODUCT SPEC: 108-32063
 APPLICATION SPEC: 114-32113

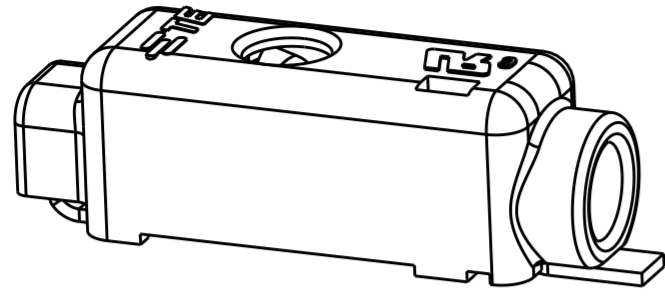
SIZE: A2 | CAGE CODE: 00779 | DRAWING NO: C-2213301 | RESTRICTED TO: -

MATERIAL: SEE TABLE | FINISH: SEE TABLE | WEIGHT: - | SCALE: 2.1 | SHEET: 1 OF 3 | REV: A

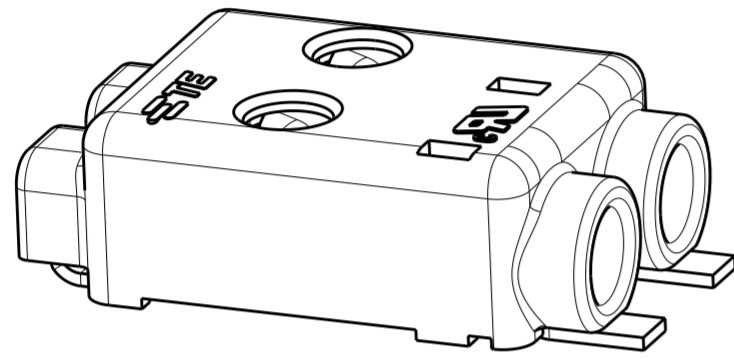
Customer Drawing

THIS DRAWING IS UNPUBLISHED. RELEASED FOR PUBLICATION 20
 © COPYRIGHT 20 BY - ALL RIGHTS RESERVED.

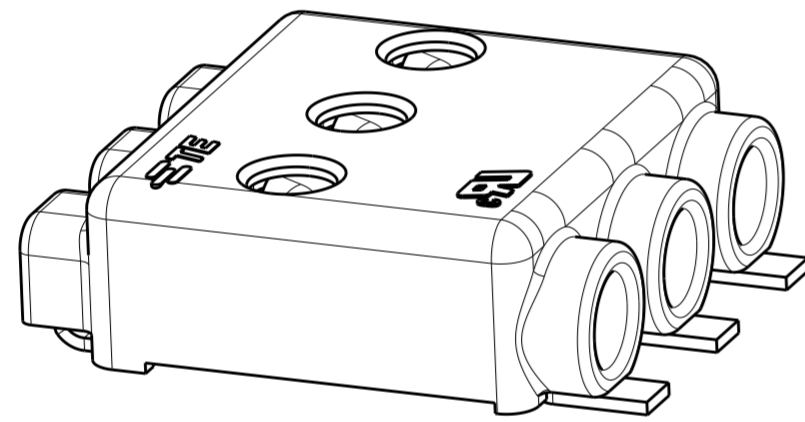
LOC		DIST		REVISIONS			
P	LTR	DESCRIPTION	DATE	DWN	APVD		
-	-	SEE SHEET 1	-	-	-		



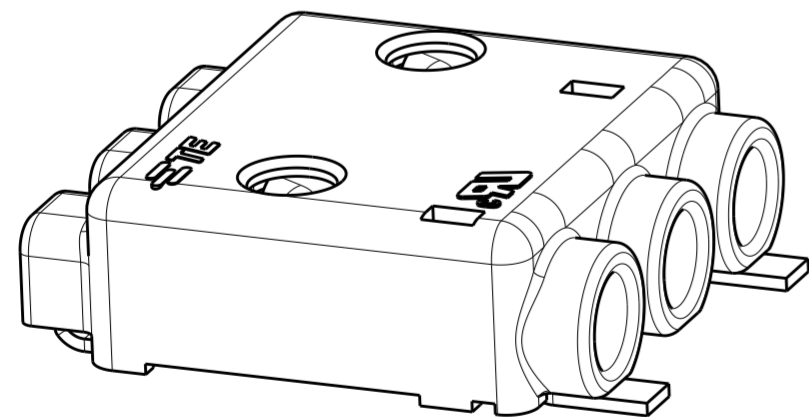
2213301-1
SCALE 6:1



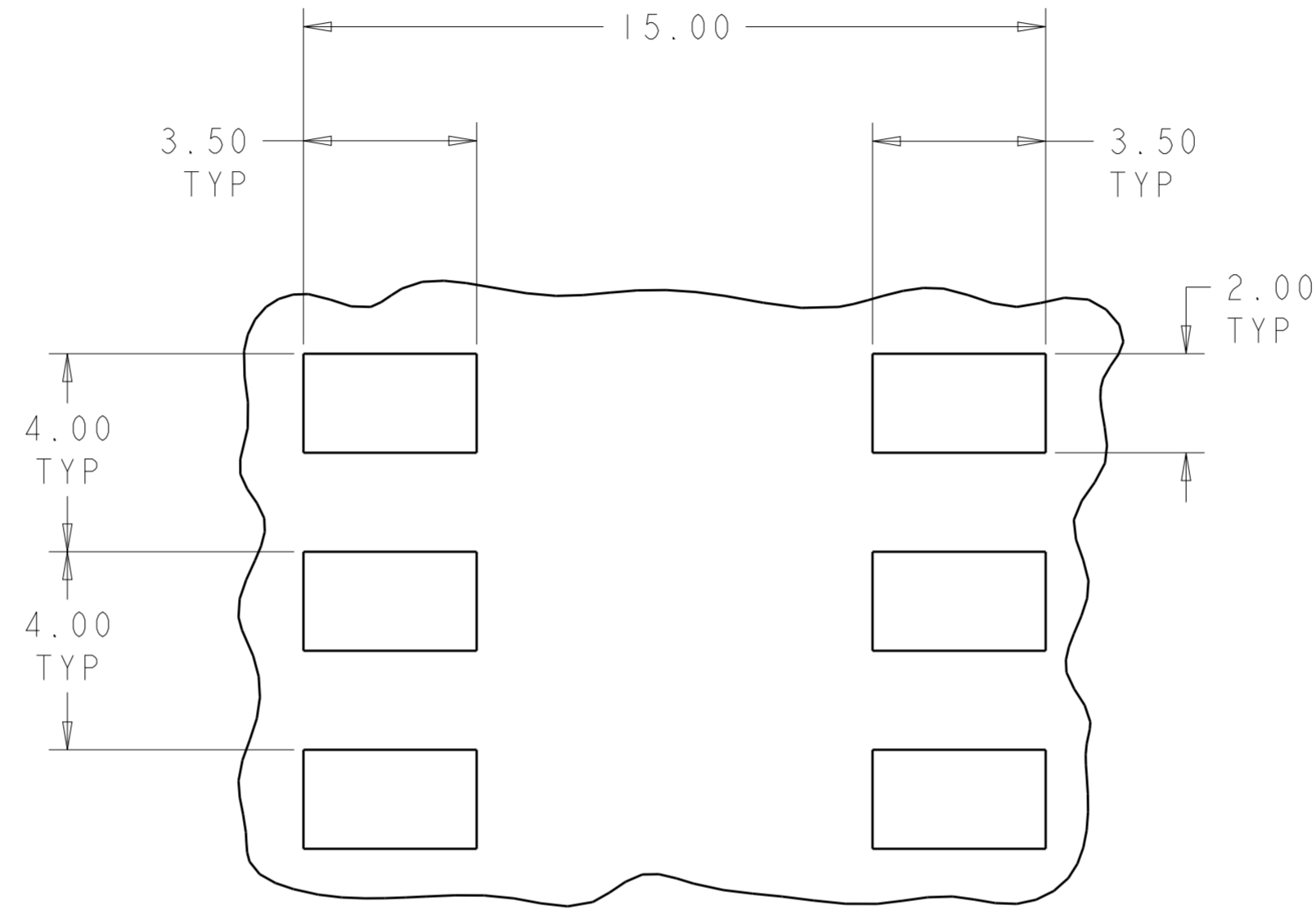
2213301-2
SCALE 6:1



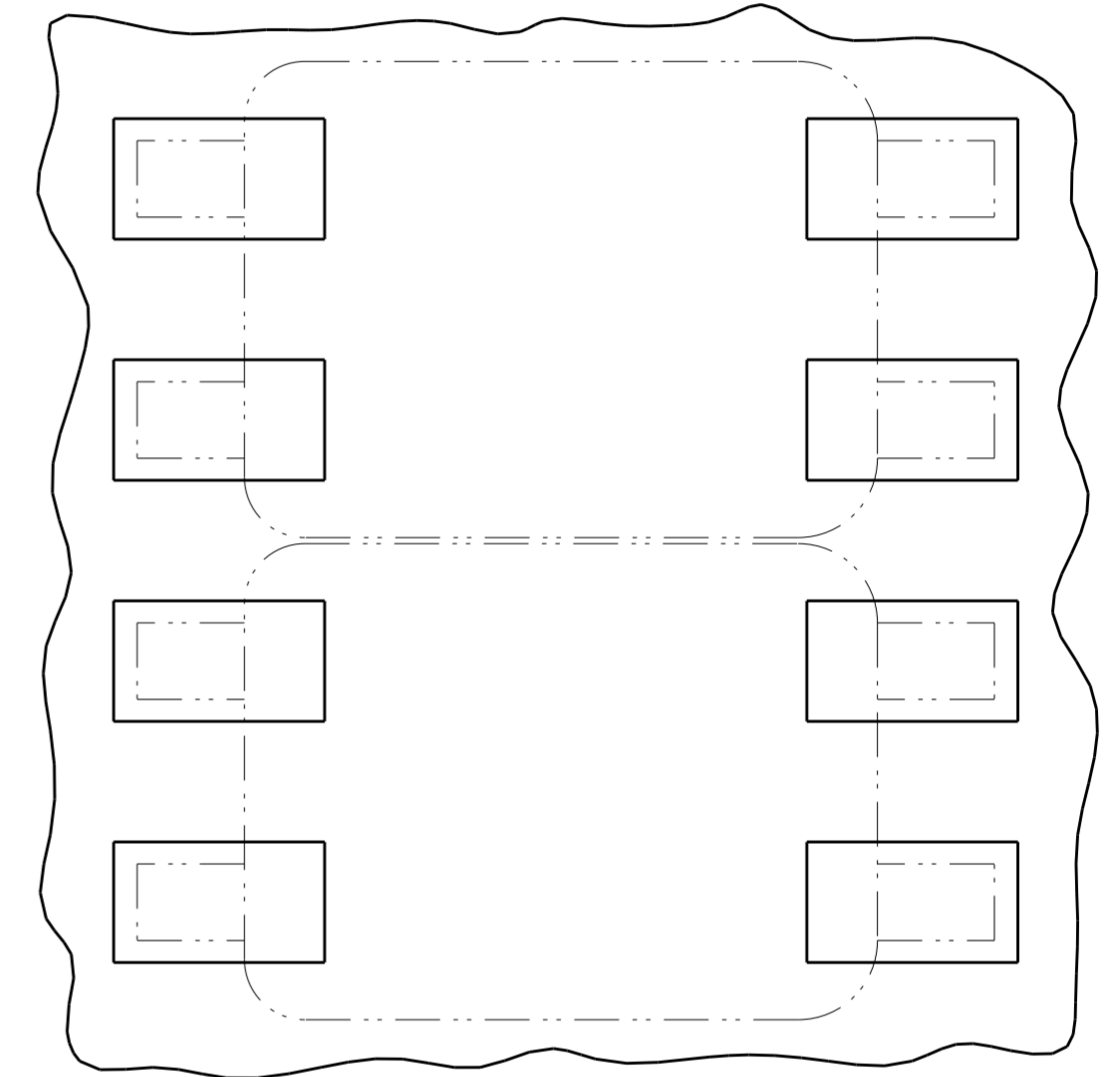
2213301-3
SCALE 6:1



1-2213301-2
SCALE 6:1



RECOMMENDED PCB LAYOUT

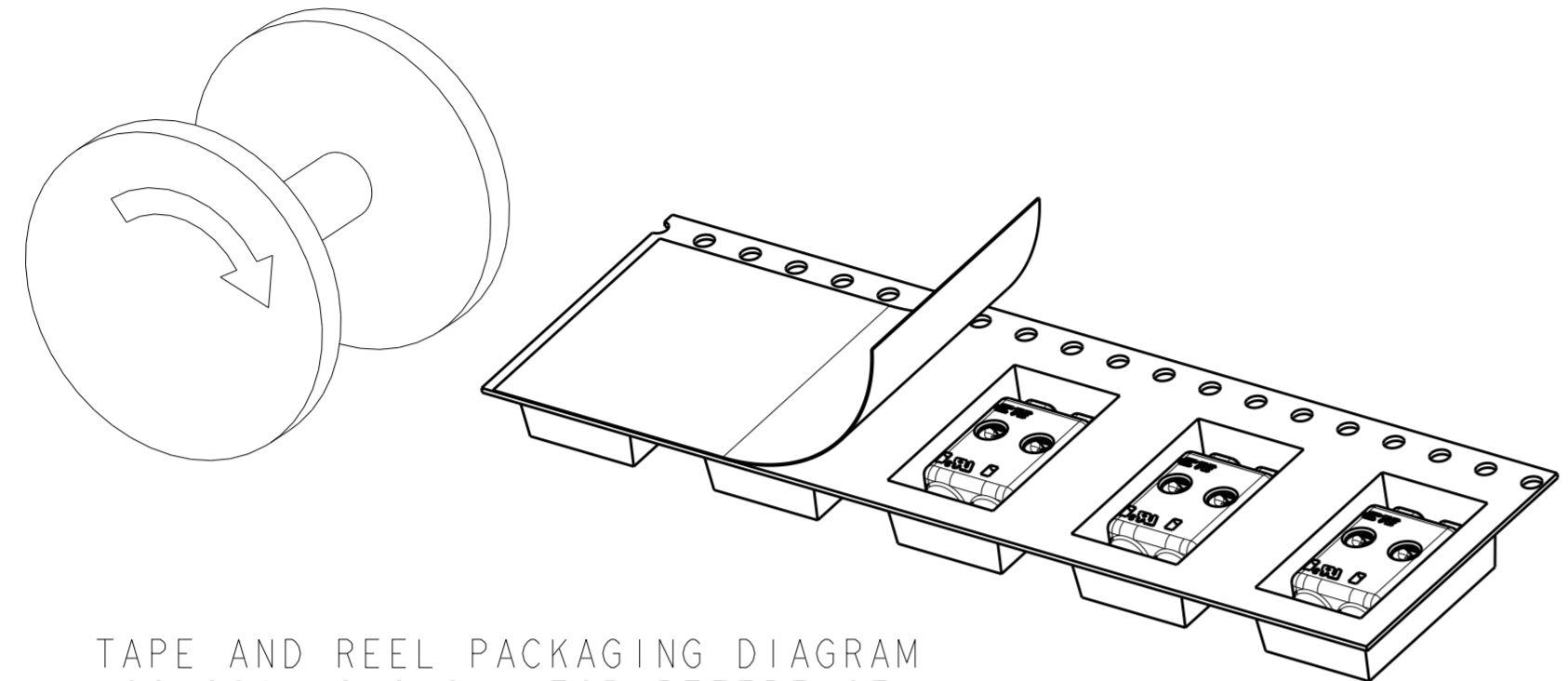


SIDE BY SIDE STACKABLE
2213301-2 SHOWN FOR REFERENCE
SCALE 8:1

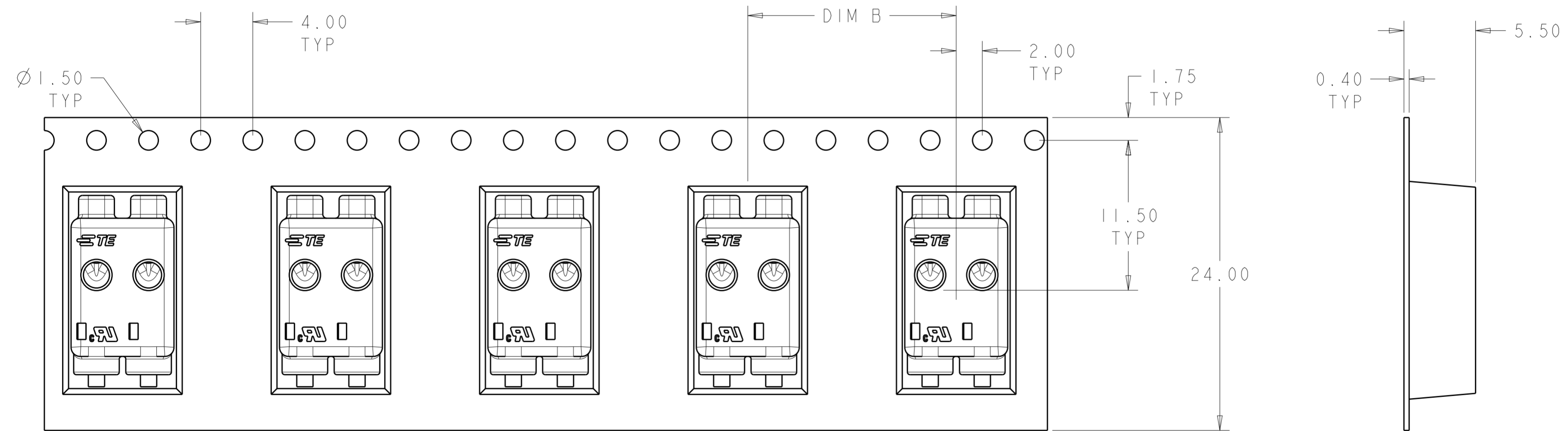
THIS DRAWING IS A CONTROLLED DOCUMENT.		DWN C. DAILY 14JAN2014	TE Connectivity	
		CHK E. HOWARD 14JAN2014		
DIMENSIONS: mm		TOLERANCES UNLESS OTHERWISE SPECIFIED:		NAME CONNECTOR ASSEMBLY, RELEASABLE POKE-IN
		0 PLC ±	PRODUCT SPEC 108-32063	SIZE A200779
		1 PLC ±0.3	APPLICATION SPEC 114-32113	CAGE CODE C-2213301
		2 PLC ±0.13	WEIGHT -	DRAWING NO -
		3 PLC ±	RESTRICTED TO -	
		4 PLC ±	SCALE 6:1 SHEET 2 OF 3 REV A	
		ANGLES ±3°	Customer Drawing	
		FINISH		
MATERIAL		SEE TABLE		

THIS DRAWING IS UNPUBLISHED. RELEASED FOR PUBLICATION 20
 © COPYRIGHT 20 BY - ALL RIGHTS RESERVED.

LOC		DIST		REVISIONS			
P	LTR	DESCRIPTION	DATE	DWN	APVD		
-	-	SEE SHEET 1	-	-	-		



TAPE AND REEL PACKAGING DIAGRAM
 2213301-2 SHOWN FOR REFERENCE



SCALE 4:1

THIS DRAWING IS A CONTROLLED DOCUMENT.		DWN C. DAILY 14JAN2014	TE Connectivity	
		CHK E. HOWARD 14JAN2014		
DIMENSIONS: mm		APVD		NAME CONNECTOR ASSEMBLY, RELEASABLE POKE-IN
TOLERANCES UNLESS OTHERWISE SPECIFIED:		PRODUCT SPEC		SIZE
0 PLC ±		108-32063		CAGE CODE
1 PLC ±0.3		APPLICATION SPEC		DRAWING NO
2 PLC ±0.13		114-32113		RESTRICTED TO
3 PLC ±		WEIGHT		A200779
4 PLC ±		Customer Drawing		C-2213301
ANGLES ±3°		SCALE 6:1		SHEET 3 OF 3
FINISH		REV A		
SEE TABLE				

X-ON Electronics

Largest Supplier of Electrical and Electronic Components

Click to view similar products for [Lighting Connectors](#) category:

Click to view products by [TE Connectivity](#) manufacturer:

Other Similar products are found below :

[293300-7](#) [293660-5](#) [CNX_H03_NTP](#) [30-9767-BU](#) [3605](#) [3-21030-1](#) [ZCH-110-RGB-I](#) [503471-0290](#) [ZCH-110-RGB-J](#) [217-0716-200](#)
[1954563-1](#) [1-293657-2](#) [2834036-1](#) [2834037-1](#) [1-2213222-4](#) [2-2213222-4](#) [2213222-4](#) [2834122-3](#) [2834122-5](#) [2834135-2](#) [FLA-R4142-30](#)
[FLA-R4162-30](#) [FLA-R2142-30](#) [FLA-R2141-30](#) [FLA-R2162-30](#) [FLA-R2161-30](#) [FLA-R0161-30](#) [FLA-R0141-30](#) [FLA-R0142-30](#) [FLA-](#)
[R0162-30](#) [FLA-C00-00](#) [DGA00010553](#) [CNXV04NTP](#) [104128-0610](#) [503485-0000 \(Cut Strip\)](#) [503485-0000 \(Loose Piece\)](#) [503485-0000](#)
[\(MINI Reel\)](#) [1-2834074-2](#) [1-2834074-3](#) [1357-AC PLUG W2C \(CHINA\)](#) [1357-AC PLUG W2 \(USA\)](#) [104266-0110](#) [2106212-1](#) [2-2834074-2](#)
[104266-0210](#) [293470-1](#) [293651-2](#) [293651-4](#) [1-2834006-2](#) [293651-1](#)