

THIS DRAWING IS UNPUBLISHED.

RELEASED FOR PUBLICATION

20

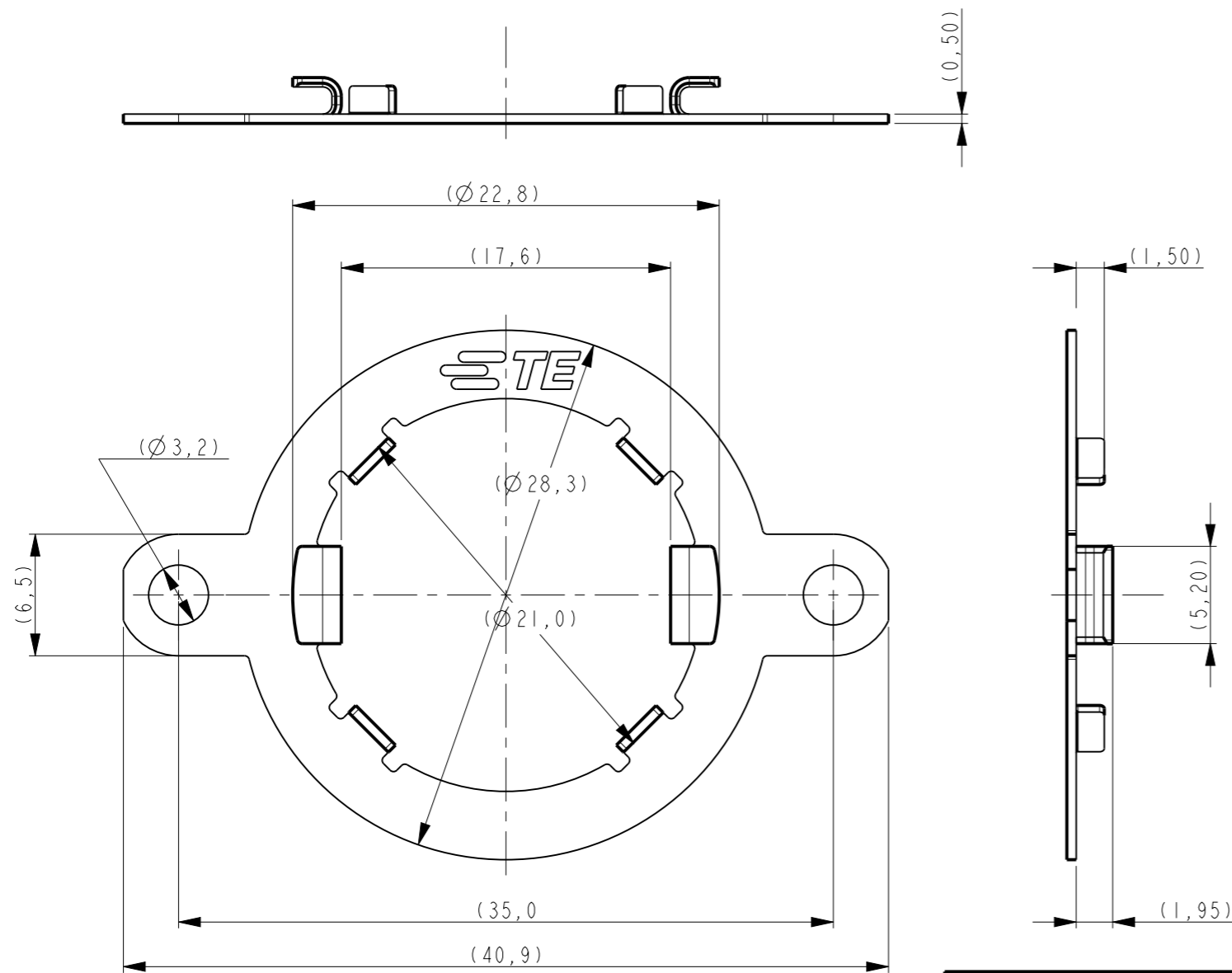
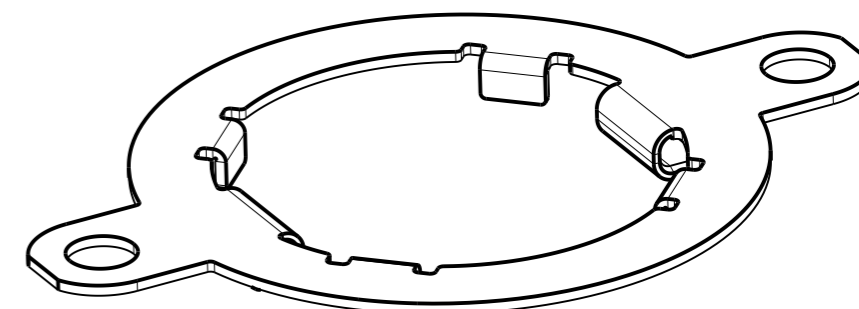
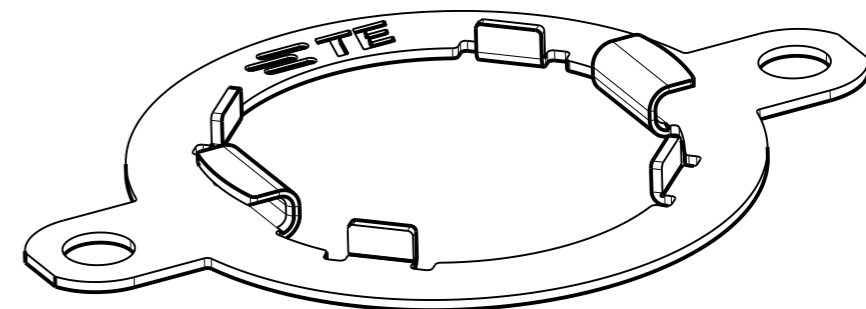
© COPYRIGHT 20 BY -

ALL RIGHTS RESERVED.


LOC	DIST	REVISIONS					
		P	LTR	DESCRIPTION	DATE	DWN	APVD
-	-		A	RELEASE PER ECO 13-014783	18SEP2013	PP	OL
			A1	REVISED PER ECR-14-000133	22JAN2014	YR	OL

NOTES:

1. MATERIAL: STAINLESS STEEL
2. MUST COMPLY WITH DIRECTIVE 2002/95/EC (RoHS)08 MAX.
3. TO BE USED INLINE WITH Z50 ZHAGA COVERS.
4. TO BE USED OPTIC INTERFACE, SEE SHEET 2.

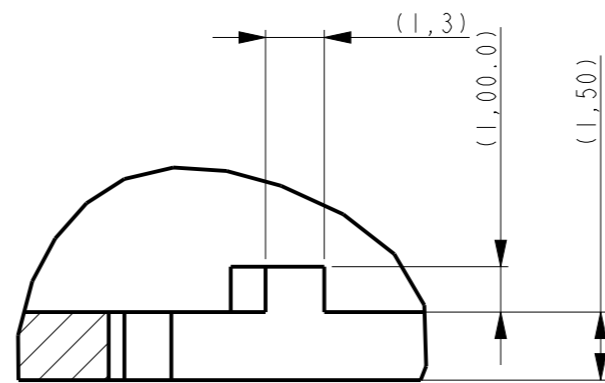
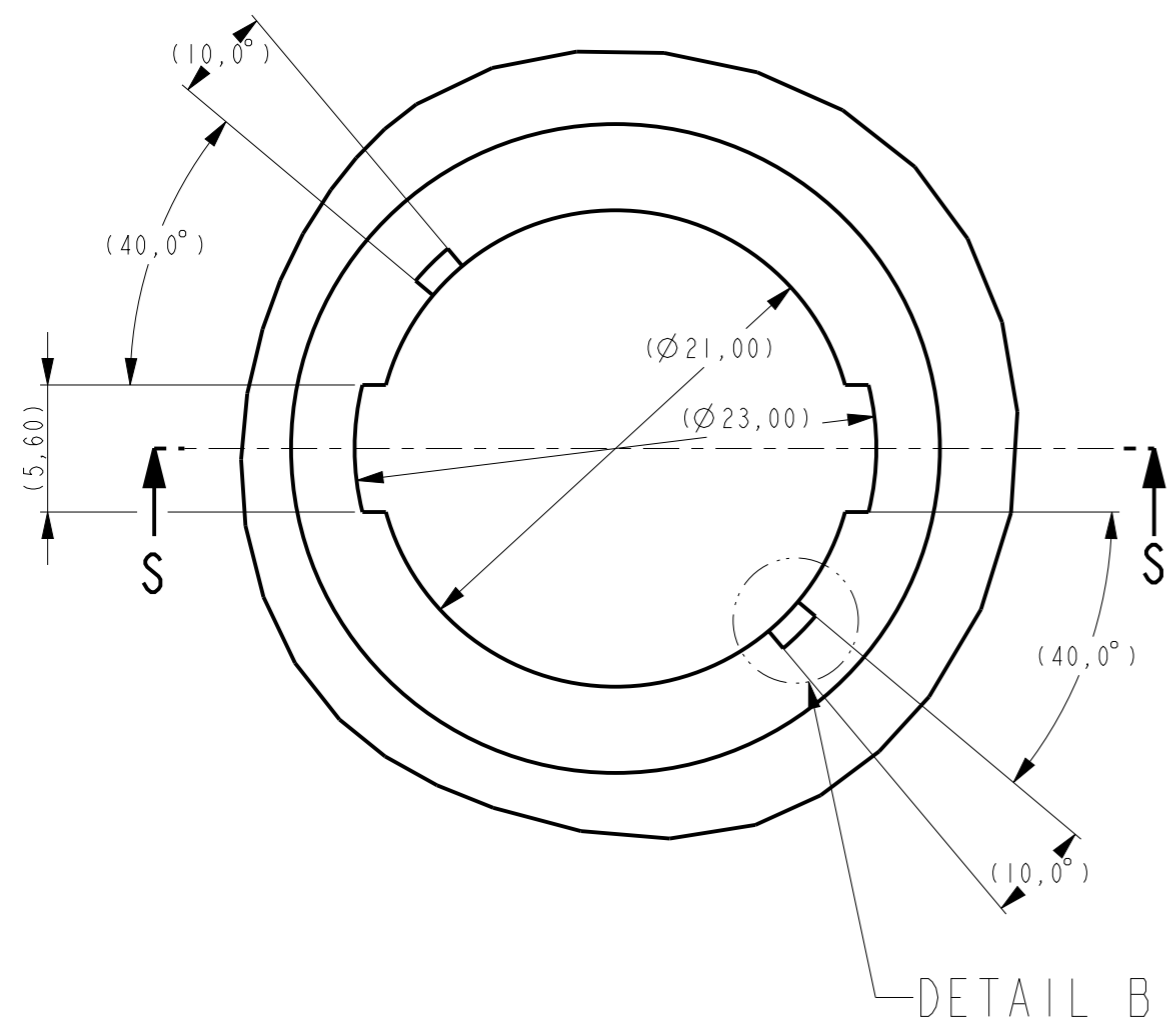


PART NUMBER  
2213349-1

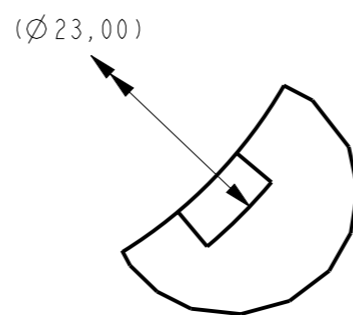
THIS DRAWING IS A CONTROLLED DOCUMENT.		DWN M.V.ESSEN 18JAN2013	 TE Connectivity				
DIMENSIONS: mm		CHK M.V.ESSEN 18JAN2013					
TOLERANCES UNLESS OTHERWISE SPECIFIED:		APVD O.I.FLJNSE 22JAN2013	NAME LUMAWISE LED HOLDER OPTIC CLIP Z50, TYPE 2				
0 PLC ±- 1 PLC ±- 2 PLC ±- 3 PLC ±- 4 PLC ±- ANGLES ±-		PRODUCT SPEC 108-133013	SIZE A3	CAGE CODE 00779	DRAWING NO C-2213349	RESTRICTED TO -	
MATERIAL -		FINISH -	WEIGHT -		SCALE 3:1	SHEET 1 OF 2	REV A1
		CUSTOMER DRAWING					

P	LTR	DESCRIPTION	DATE	DWN	APVD
		SEE SHEET 1			

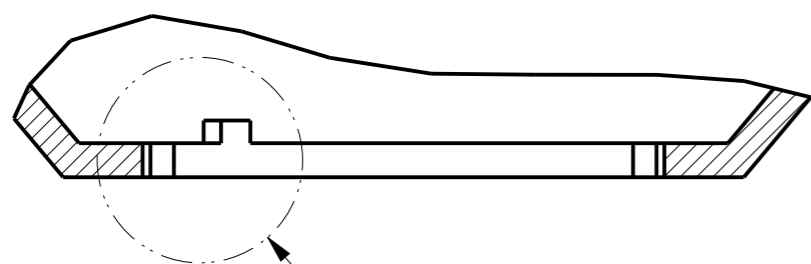
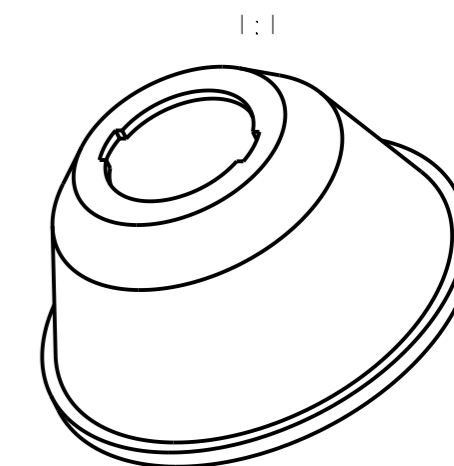
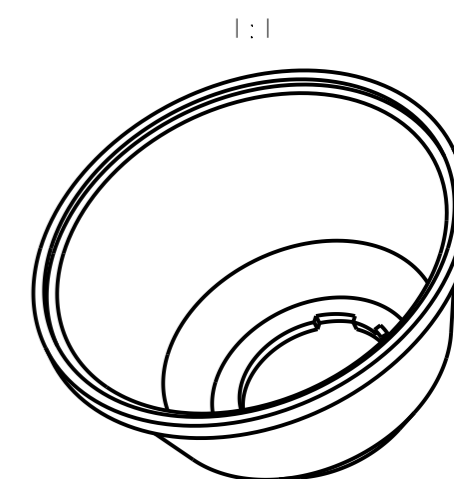
# RECOMMENDED OPTIC INTERFACE




DETAIL A  
6:1



DETAIL B  
6:1



SECTION S-S  
DETAIL A

THIS DRAWING IS A CONTROLLED DOCUMENT.		DWN M.V.ESSSEN 18JAN2013	 TE Connectivity		
DIMENSIONS: mm		CHK M.V.ESSSEN 18JAN2013			
TOLERANCES UNLESS OTHERWISE SPECIFIED:		APVD O.I.FLJNSE 22JAN2013	NAME LUMAWISE LED HOLDER OPTIC CLIP Z50, TYPE 2		
0 PLC ±- 1 PLC ±- 2 PLC ±- 3 PLC ±- 4 PLC ±- ANGLES ±-		PRODUCT SPEC 108-133013	SIZE A3	CAGE CODE 00779	DRAWING NO C-2213349
MATERIAL -		FINISH -	RESTRICTED TO -		
		WEIGHT -	SCALE 3:1		
		CUSTOMER DRAWING	SHEET 2 OF 2		
			REV A1		

## X-ON Electronics

Largest Supplier of Electrical and Electronic Components

*Click to view similar products for [LED Lighting Mounting Accessories](#) category:*

*Click to view products by [TE Connectivity](#) manufacturer:*

Other Similar products are found below :

[C16142\\_HEKLA-SOCKET-K](#) [3SU1401-1BG20-1AA0](#) [3SU1900-0BC31-0NB0](#) [ES16-RT](#) [1SFA616921R2042](#) [1SFA616921R2131](#)  
[1SFA616921R2133](#) [1SFA616921R2143](#) [1SFA611621R1093](#) [B8910020](#) [D3980022](#) [E3990022](#) [E3990040](#) [CABI12 E BK 1M SET PRM](#)  
[FLAT8 H/U BK 1M SET PRM](#) [BEGTIN12 J/S BK 1M SET PRM](#) [1-2213678-6](#) [C16791\\_CLAMP-Z45-A](#) [F17250\\_SOLDER-CLIP-A](#) [CM22-](#)  
[4-20MA](#) [CM22-R10K-MT](#) [CM22-R1K](#) [CM22-R50K](#) [CM22-R5K-MT](#) [CM22-SLR](#) [10465](#) [M22-A](#) [M22-CK11](#) [M22-CK20](#) [M22G-XGPV](#)  
[M22-K01](#) [M22-LCH-W](#) [M22-LC-R](#) [M22-LED230-R](#) [M22-LED230-W](#) [M22-LEDC230-G](#) [M22-LEDC-G](#) [M22-LEDC-W](#) [M22-LED-G](#)  
[M22-LED-W](#) [M22-L-G](#) [M22-LH-G](#) [M22-LH-R](#) [M22-LH-W](#) [M22-L-R](#) [M22-L-W](#) [M22-L-X](#) [M22-R10K](#) [M22-R1K](#) [M22-R470K](#)