

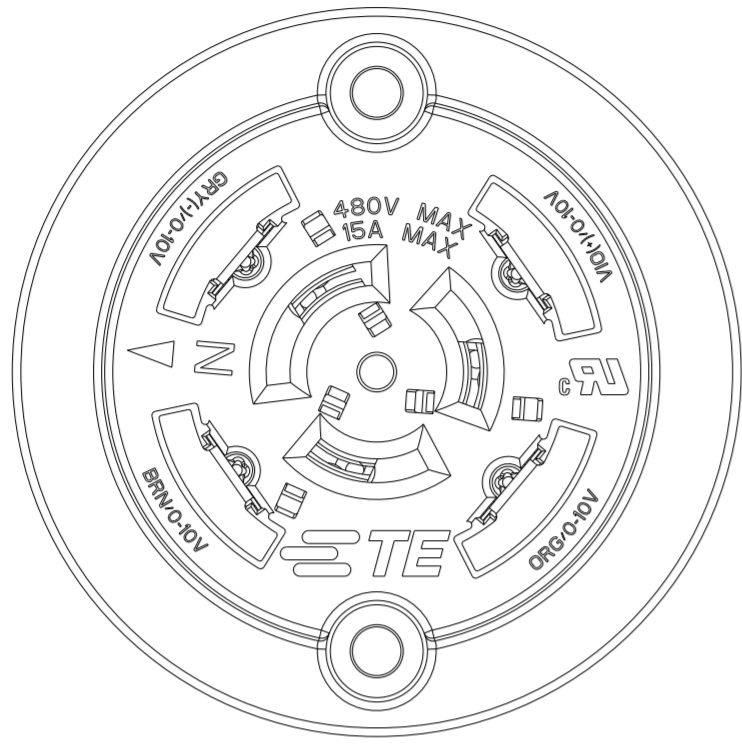
THIS DRAWING IS UNPUBLISHED. RELEASED FOR PUBLICATION 20
 © COPYRIGHT 20 BY - ALL RIGHTS RESERVED.

NOTES:

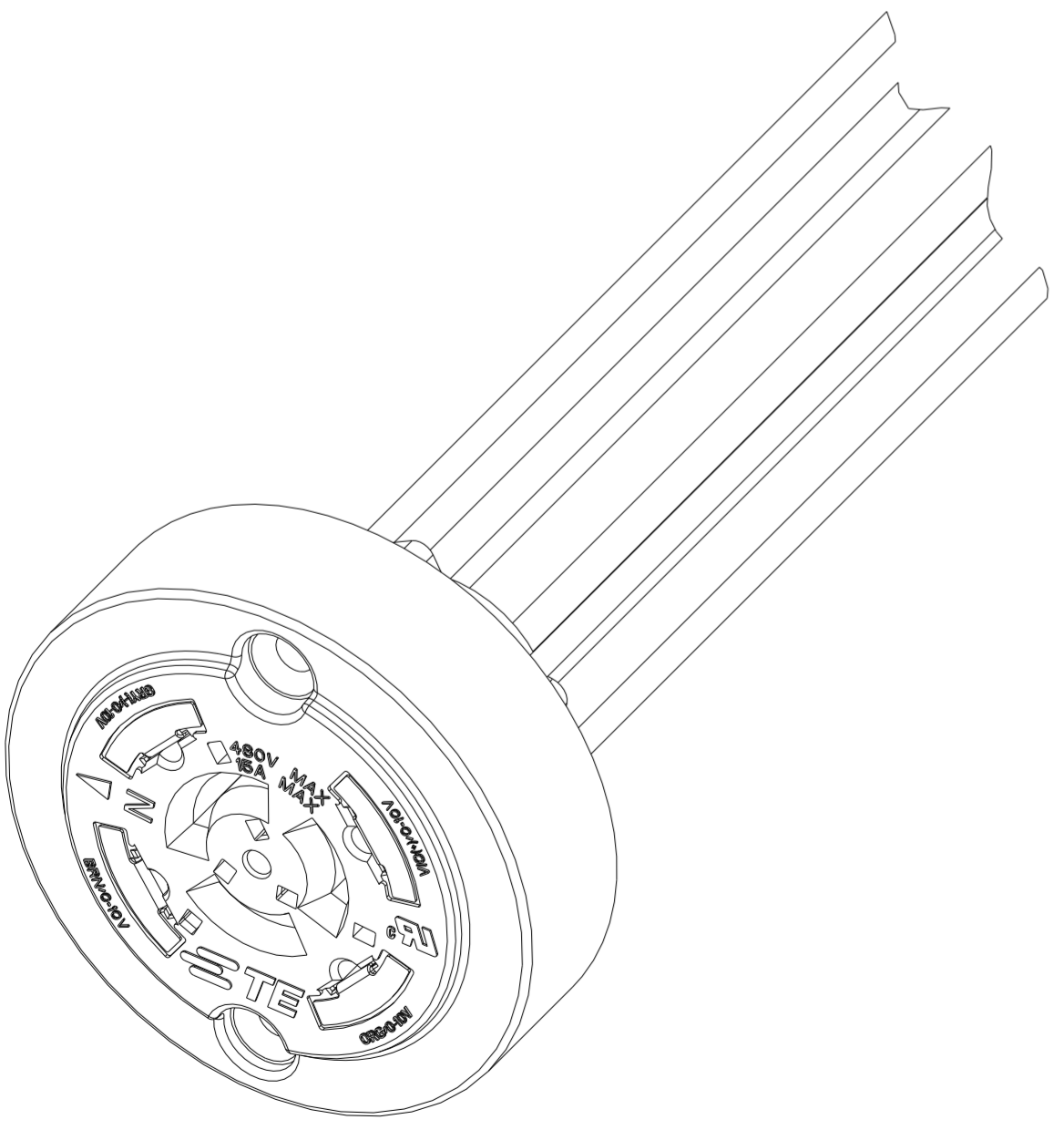
1. MATERIALS:
 HOUSING: GLASS-FILLED THERMOPLASTIC, UL 94V-0 RATED DIMMING CONTACTS (2 OR 4) AND LINE VOLTAGE CONTACTS (3): COPPER ALLOY
2. FINISH:
 DIMMING CONTACTS (2 OR 4): NICKEL UNDERPLATE ENTIRE CONTACT 0.127 µm MIN THICK. GOLD PLATE CONTACT PAD AREA (MATING FACE SIDE ONLY) 0.76 µm MIN THICK. MATTE TIN PLATE TAB ON BOTH SIDES 0.30 µm MIN THICK. LINE VOLTAGE CONTACTS (3): TIN PLATE.
3. LINE VOLTAGE CONDUCTORS (3):
 14 AWG, 600V, 150°C RATED, COPPER 41/30 STRANDED PER UL STYLE AWM 3321.
4. MATING INTERFACE PER ANSI C136.41-2013.
5. OPTIONAL DIMMING CONTACTS (2) SUPPLIED.
6. DIMMING CONDUCTORS (2 OR 4):
 18 AWG, 600V, 150°C RATED, 16/30 STRANDED, PER UL STYLE AWM 3321.
7. LINE VOLTAGE CONDUCTORS (3):
 14 AWG, 600V, 105°C RATED, COPPER 41/30 STRANDED. PER UL STYLE AWM 1015.

8. DIMMING CONDUCTORS (2 OR 4):
 18 AWG, 600V, 105°C RATED, COPPER 16/30 STRANDED. PER UL STYLE AWM 1015.
9. LUBRICATION: GOLD PLATED CONTACT PAD SURFACES OF DIMMING CONTACTS ARE LUBRICATED WITH A TRANSPARENT (NON-VISIBLE) LUBRICANT TO IMPROVE DURABILITY AND PERFORMANCE. AVOID CONTACT WITH THESE SURFACES WHICH MAY RESULT IN REMOVAL OF LUBRICANT
10. PRELIMINARY.
11. FOR PART NUMBER 5-2213362-4 ONLY, STRIP AND REMOVE INSULATION AS SHOWN. LEAD WIRES TO BE SOLDER DIPPED.
12. MUST BE USED WITH EITHER GASKET P/N 2213469-1 OR P/N 2324246-1 (SOLD SEPARATELY).

REVISONS		DATE	DWN	APVD
P	LTR	DESCRIPTION		
A20		REVISED PER ECR-20-016246	MM	JL
A21		REVISED PER ECR-21-110497	JL	MM



SEE SHEET 2 FOR WIRING COLOR CODE



STRIP LENGTH	OVERALL LENGTH	WIRE LENGTH	WIRE STYLE	QUANTITY OF DIMMING CONTACTS	PART NO.
12.0	203.0	153.0	153.0	△7 AND △8	4
12.7	1036.3	1000	986.5	△7 AND △8	4 △5
12.7	266.3	230.0	216.5	△7 AND △8	4 △5
12.7	236.3	200.0	-	△7	-
12.7	341.1	304.8	-	△3	-
12.7	341.1	304.8	-	△7	-
15.88	264.9	228.6	-	△3	-
BLACK WIRE: 15.88 WHITE WIRE: 15.88 RED WIRE: 6.35	798.3	762.0	-	△3	-
9.0	341.1	304.8	291.3	△7 AND △8	4 △5
9.0	341.1	304.8	291.3	△7 AND △8	4 △5
12.7	950.7	914.4	914.4	△7 AND △8	4 △5
8.0	73.0	35.0	35.0	△7 AND △8	4 △5
12.7	1865.1	1828.8	1815.3	△3 AND △6	2
12.7	736.3	700.0	686.5	△7 AND △8	4 △5
12.7	696.3	660.0	646.5	△3 AND △6	4 △5
12.7	696.3	660.0	646.5	△3 AND △6	2
12.7	536.3	500.0	486.5	△7 AND △8	4 △5
12.7	536.3	500.0	486.5	△7 AND △8	2
12.7	1823.3	1346.0	1332.5	△3 AND △6	4 △5
12.7	536.3	500.0	486.5	△3 AND △6	2
12.7	341.1	304.8	291.3	△7 AND △8	4 △5
12.7	341.1	304.8	291.3	△7 AND △8	2
12.7	341.1	304.8	291.3	△3 AND △6	4 △5
12.7	341.1	304.8	291.3	△3 AND △6	2

THIS DRAWING IS A CONTROLLED DOCUMENT.

DWN: J. SHAFFER 26 JUN 2013
 CHK: E. HOWARD 26 JUN 2013
 APVD: E. HOWARD 26 JUN 2013

STE TE Connectivity

NAME: RECEPTACLE ASSEMBLY, DIMMABLE PHOTOCONTROL

PRODUCT SPEC: 108-32059
 APPLICATION SPEC: 114-32115

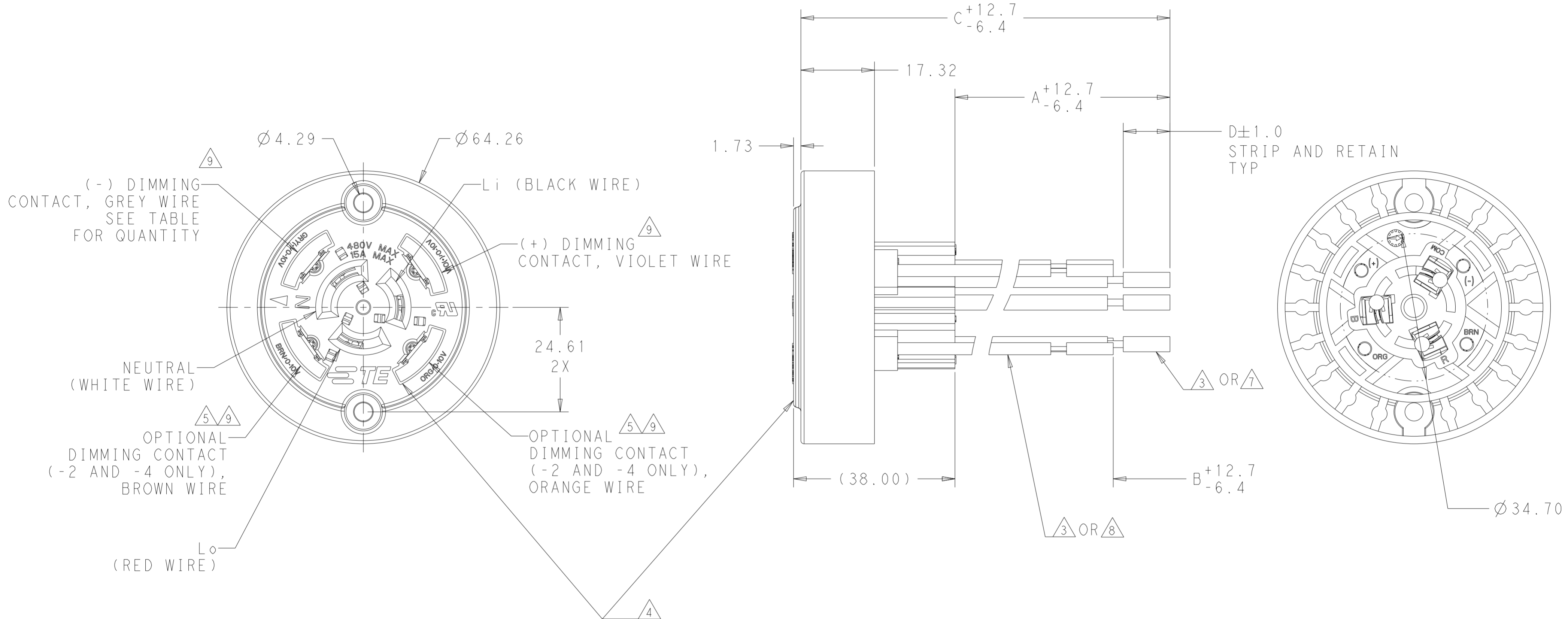
SIZE: A2 CAGE CODE: 00779 DRAWING NO: C-2213362 RESTRICTED TO: -

MATERIAL: - FINISH: - WEIGHT: -

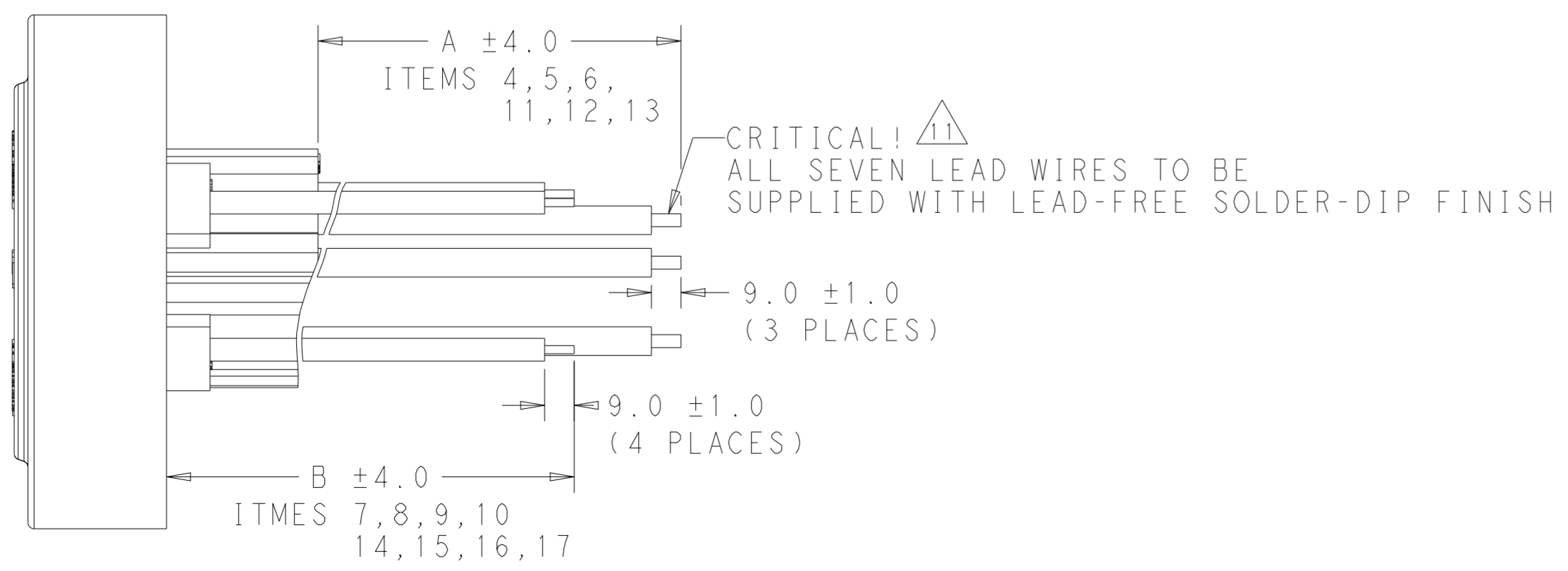
CUSTOMER DRAWING SCALE: 1:1 SHEET 1 OF 2 REV: A21

THIS DRAWING IS UNPUBLISHED. RELEASED FOR PUBLICATION 20
 © COPYRIGHT 20 BY - ALL RIGHTS RESERVED.

LOC		DIST		REVISIONS			
P	LTR	DESCRIPTION	DATE	DWN	APVD		
-	-	SEE SHEET 1	-	-	-		



5-2213362-4 ONLY



THIS DRAWING IS A CONTROLLED DOCUMENT.		DWN J. SHAFFER 26 JUN 2013	TE Connectivity	
DIMENSIONS: mm		CHK E. HOWARD 26 JUN 2013		
TOLERANCES UNLESS OTHERWISE SPECIFIED:		APVD E. HOWARD 26 JUN 2013	NAME RECEPTACLE ASSEMBLY, DIMMABLE PHOTOCONTROL	
0 PLC \pm		PRODUCT SPEC 108-32059	SIZE A200779	
1 PLC \pm		APPLICATION SPEC 114-32115	CAGE CODE C-2213362	
2 PLC ± 0.13		WEIGHT -	DRAWING NO -	
3 PLC \pm		CUSTOMER DRAWING	RESTRICTED TO -	
4 PLC \pm		SCALE 1:1	SHEET 2 OF 2	
ANGLES \pm		REV A21		
FINISH				

X-ON Electronics

Largest Supplier of Electrical and Electronic Components

Click to view similar products for [Lighting Connectors](#) category:

Click to view products by [TE Connectivity](#) manufacturer:

Other Similar products are found below :

[293300-7](#) [293660-5](#) [CNX_H03_NTP](#) [30-9767-BU](#) [3605](#) [3-21030-1](#) [ZCH-110-RGB-I](#) [503471-0290](#) [ZCH-110-RGB-J](#) [217-0716-200](#)
[1954563-1](#) [1-293657-2](#) [2834036-1](#) [2834037-1](#) [1-2213222-4](#) [2-2213222-4](#) [2213222-4](#) [2834122-3](#) [2834122-5](#) [2834135-2](#) [FLA-R4142-30](#)
[FLA-R4162-30](#) [FLA-R2142-30](#) [FLA-R2141-30](#) [FLA-R2162-30](#) [FLA-R2161-30](#) [FLA-R0161-30](#) [FLA-R0141-30](#) [FLA-R0142-30](#) [FLA-](#)
[R0162-30](#) [FLA-C00-00](#) [DGA00010553](#) [CNXV04NTP](#) [104128-0610](#) [503485-0000 \(Cut Strip\)](#) [503485-0000 \(Loose Piece\)](#) [503485-0000](#)
[\(MINI Reel\)](#) [1-2834074-2](#) [1-2834074-3](#) [1357-AC PLUG W2C \(CHINA\)](#) [1357-AC PLUG W2 \(USA\)](#) [104266-0110](#) [CNXV02NTP](#) [2106212-1](#)
[2-2834074-2](#) [104266-0210](#) [293470-1](#) [293651-2](#) [293651-4](#) [1-2834006-2](#)