

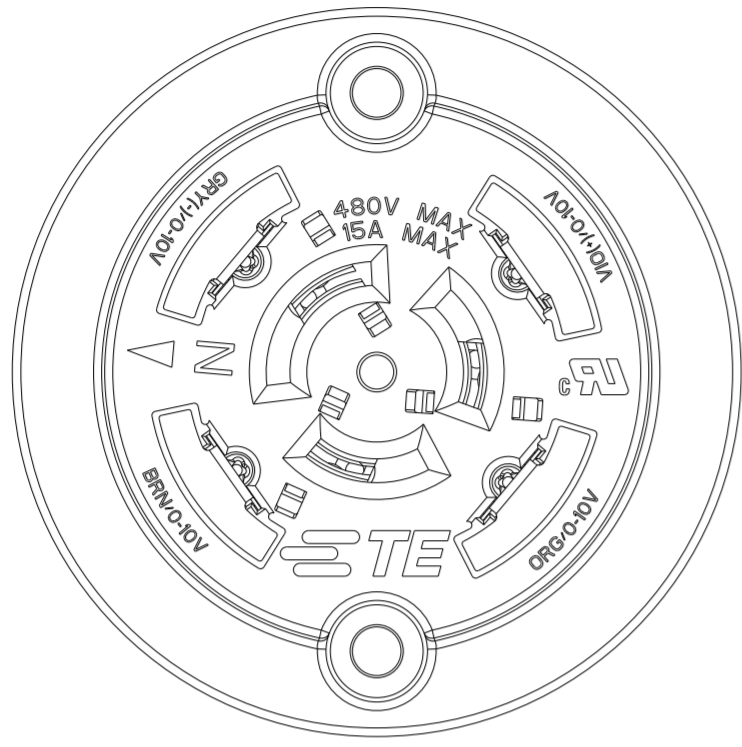
THIS DRAWING IS UNPUBLISHED. RELEASED FOR PUBLICATION 20  
 © COPYRIGHT 20 BY - ALL RIGHTS RESERVED.

NOTES:

1. MATERIALS:  
 HOUSING: GLASS-FILLED THERMOPLASTIC, UL 94V-0 RATED DIMMING CONTACTS (2 OR 4) AND LINE VOLTAGE CONTACTS (3): COPPER ALLOY
2. FINISH:  
 DIMMING CONTACTS (2 OR 4): NICKEL UNDERPLATE ENTIRE CONTACT 0.127 µm MIN THICK. GOLD PLATE CONTACT PAD AREA (MATING FACE SIDE ONLY) 0.76 µm MIN THICK. MATTE TIN PLATE TAB ON BOTH SIDES 0.30 µm MIN THICK. LINE VOLTAGE CONTACTS (3): TIN PLATE.
3. LINE VOLTAGE CONDUCTORS (3):  
 14 AWG, 600V, 150°C RATED, COPPER 41/30 STRANDED PER UL STYLE AWM 3321.
4. MATING INTERFACE PER ANSI C136.41-2013.
5. OPTIONAL DIMMING CONTACTS (2) SUPPLIED.
6. DIMMING CONDUCTORS (2 OR 4):  
 18 AWG, 600V, 150°C RATED, 16/30 STRANDED, PER UL STYLE AWM 3321.
7. LINE VOLTAGE CONDUCTORS (3):  
 14 AWG, 600V, 105°C RATED, COPPER 41/30 STRANDED, PER UL STYLE AWM 1015.

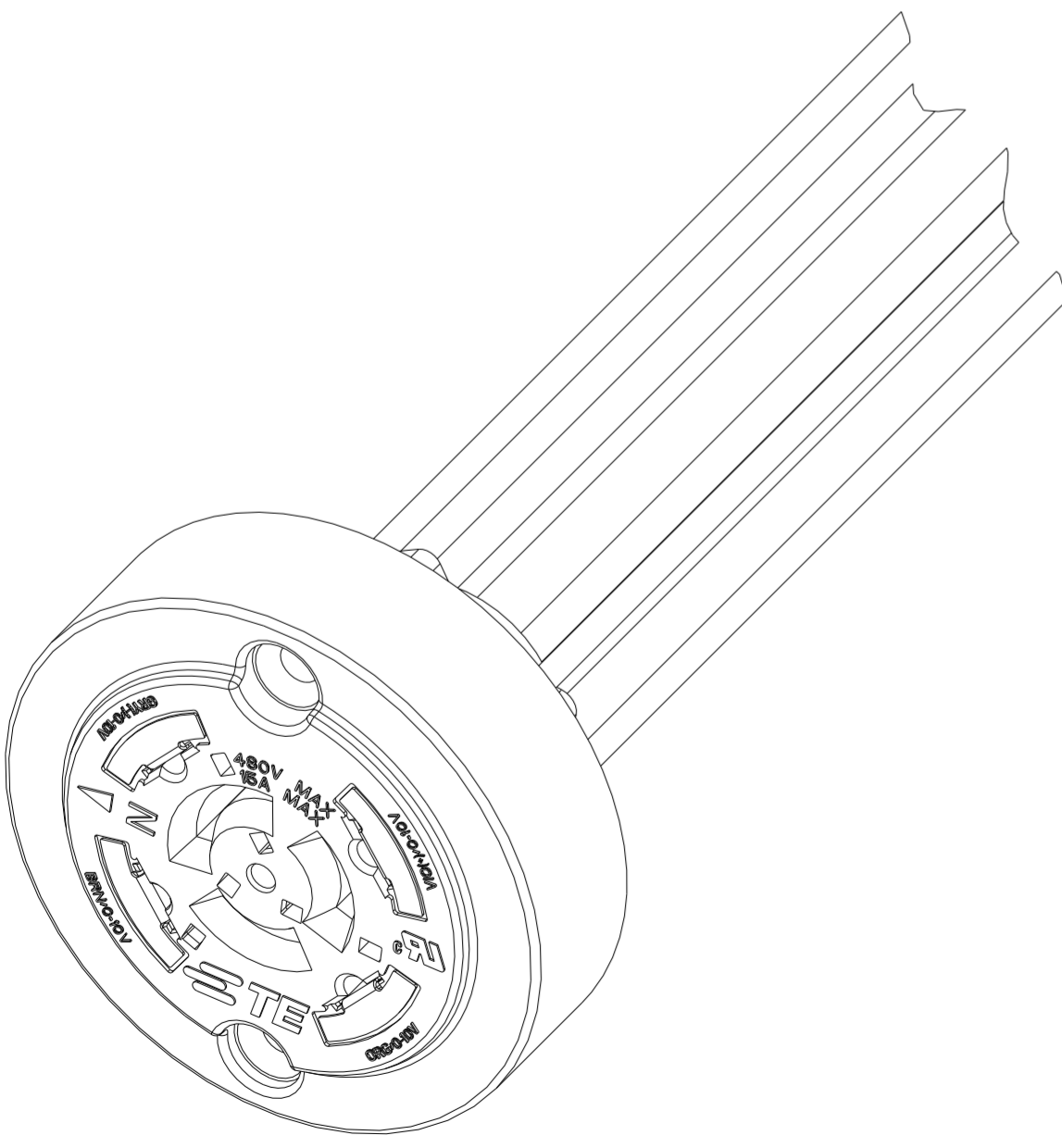
LOC		DIST		REVISIONS			
P	LTR	DESCRIPTION	DATE	DWN	APVD		
	A20	REVISED PER ECR-20-016246	07DEC2020	MM	JL		
	A21	REVISED PER ECR-21-110497	17AUG2021	JL	MM		

8. DIMMING CONDUCTORS (2 OR 4):  
 18 AWG, 600V, 105°C RATED, COPPER 16/30 STRANDED, PER UL STYLE AWM 1015.
9. LUBRICATION: GOLD PLATED CONTACT PAD SURFACES OF DIMMING CONTACTS ARE LUBRICATED WITH A TRANSPARENT (NON-VISIBLE) LUBRICANT TO IMPROVE DURABILITY AND PERFORMANCE. AVOID CONTACT WITH THESE SURFACES WHICH MAY RESULT IN REMOVAL OF LUBRICANT
10. PRELIMINARY.
11. FOR PART NUMBER 5-2213362-4 ONLY, STRIP AND REMOVE INSULATION AS SHOWN. LEAD WIRES TO BE SOLDER DIPPED.
12. MUST BE USED WITH EITHER GASKET P/N 2213469-1 OR P/N 2324246-1 (SOLD SEPARATELY).



SEE SHEET 2 FOR WIRING COLOR CODE

STRIP LENGTH	OVERALL LENGTH	A	B	WIRE STYLE	QUANTITY OF DIMMING CONTACTS	PART NO.
12.0	203.0	153.0	153.0	7 AND 8	4	9-2213362-4
12.7	1036.3	1000	986.5	7 AND 8	4 5	8-2213362-4 10
12.7	266.3	230.0	216.5	7 AND 8	4 5	7-2213362-4
12.7	236.3	200.0	-	7	-	6-2213362-4 10
12.7	341.1	304.8	-	3	-	6-2213362-2
12.7	341.1	304.8	-	7	-	6-2213362-1
15.88	264.9	228.6	-	3	-	5-2213362-9
BLACK WIRE: 15.88 WHITE WIRE: 15.88 RED WIRE: 6.35	798.3	762.0	-	3	-	5-2213362-8
9.0	341.1	304.8	291.3	7 AND 8	4 5	5-2213362-4 11 10
9.0	341.1	304.8	291.3	7 AND 8	4 5	4-2213362-5
12.7	950.7	914.4	914.4	7 AND 8	4 5	4-2213362-4 10
8.0	73.0	35.0	35.0	7 AND 8	4 5	3-2213362-4 10
12.7	1865.1	1828.8	1815.3	3 AND 6	2	3-2213362-1 10
12.7	736.3	700.0	686.5	7 AND 8	4 5	2-2213362-4
12.7	696.3	660.0	646.5	3 AND 6	4 5	2-2213362-2 10
12.7	696.3	660.0	646.5	3 AND 6	2	2-2213362-1
12.7	536.3	500.0	486.5	7 AND 8	4 5	1-2213362-4
12.7	536.3	500.0	486.5	7 AND 8	2	1-2213362-3 10
12.7	1823.3	1346.0	1332.5	3 AND 6	4 5	1-2213362-2
12.7	536.3	500.0	486.5	3 AND 6	2	1-2213362-1 10
12.7	341.1	304.8	291.3	7 AND 8	4 5	2213362-4
12.7	341.1	304.8	291.3	7 AND 8	2	2213362-3
12.7	341.1	304.8	291.3	3 AND 6	4 5	2213362-2
12.7	341.1	304.8	291.3	3 AND 6	2	2213362-1



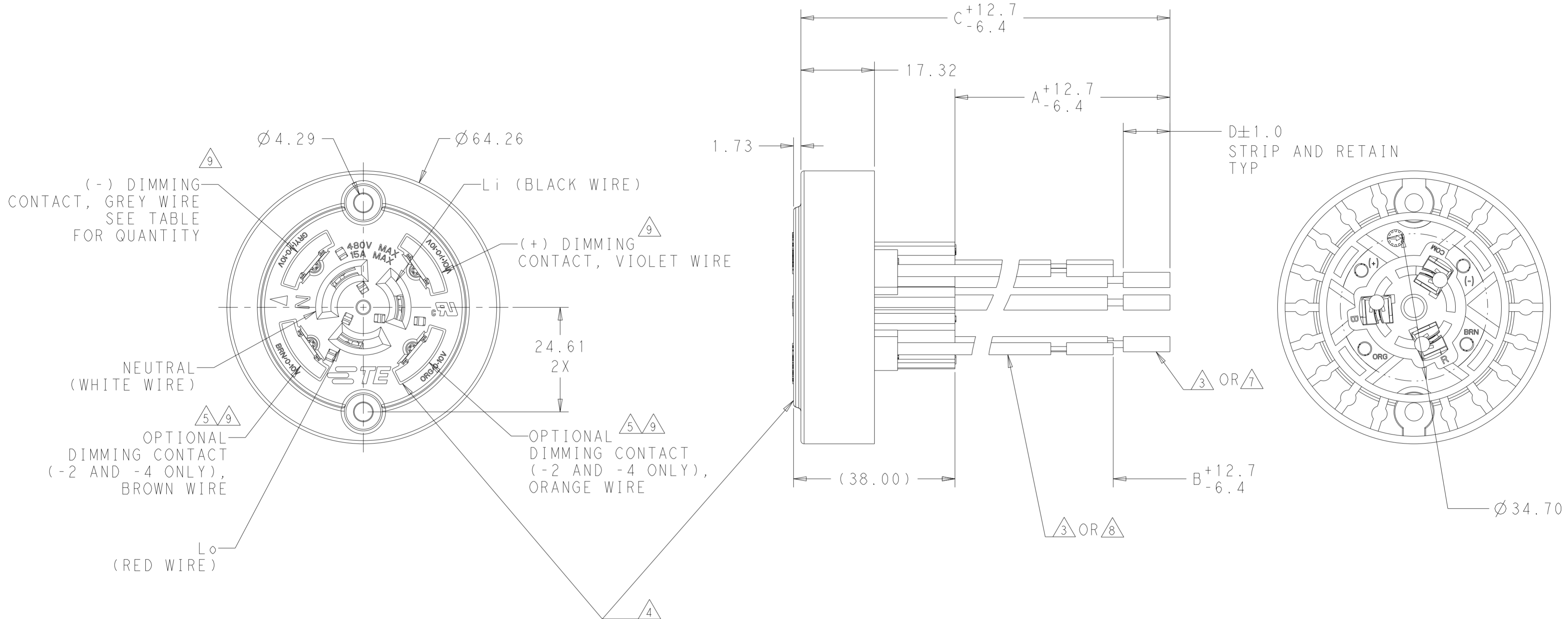
THIS DRAWING IS A CONTROLLED DOCUMENT.

DIMENSIONS: mm	TOLERANCES UNLESS OTHERWISE SPECIFIED: 0 PLC ± 1 PLC ± 2 PLC ±0.13 3 PLC ± 4 PLC ± ANGLES ± FINISH	DWN J. SHAFFER 26 JUN 2013 CHK E. HOWARD 26 JUN 2013 APVD E. HOWARD 26 JUN 2013	NAME PRODUCT SPEC APPLICATION SPEC WEIGHT	STE TE Connectivity	RECEPTACLE ASSEMBLY, DIMMABLE PHOTOCONTROL	RESTRICTED TO
MATERIAL		108-32059 114-32115	SIZE CAGE CODE DRAWING NO A2 00779 C-2213362	SCALE 1:1	SHEET 1 OF 2	REV A21

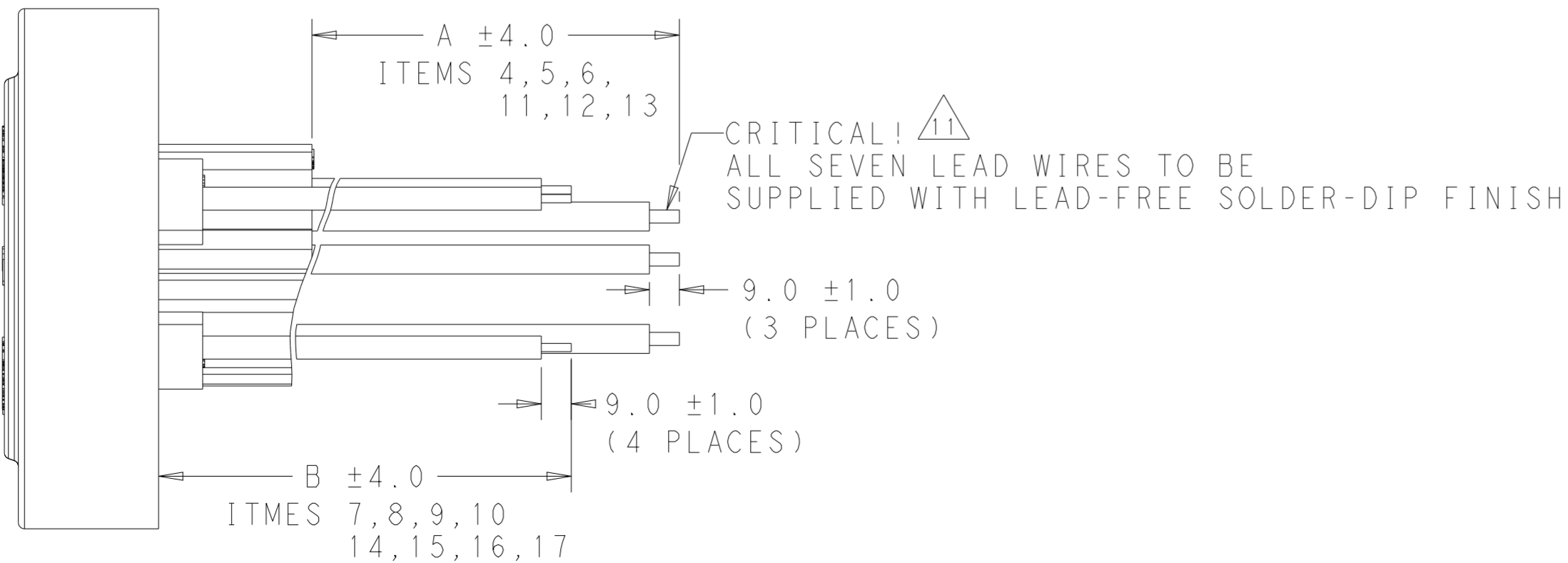
CUSTOMER DRAWING

THIS DRAWING IS UNPUBLISHED. RELEASED FOR PUBLICATION 20  
 © COPYRIGHT 20 BY - ALL RIGHTS RESERVED.

LOC		DIST		REVISIONS			
P	LTR	DESCRIPTION	DATE	DWN	APVD		
-	-	SEE SHEET 1	-	-	-		



**5-2213362-4 ONLY**



THIS DRAWING IS A CONTROLLED DOCUMENT.		DWN J. SHAFFER 26 JUN 2013	<b>STE</b> TE Connectivity	
DIMENSIONS: mm		CHK E. HOWARD 26 JUN 2013		
TOLERANCES UNLESS OTHERWISE SPECIFIED:		APVD E. HOWARD 26 JUN 2013	NAME RECEPTACLE ASSEMBLY, DIMMABLE PHOTOCONTROL	
0 PLC ±		PRODUCT SPEC 108-32059	SIZE CAGE CODE DRAWING NO RESTRICTED TO	
1 PLC ±		APPLICATION SPEC 114-32115	A200779 C-2213362	
2 PLC ±0.13		WEIGHT -	SCALE 1:1 SHEET 2 OF 2 REV A21	
3 PLC ±		CUSTOMER DRAWING		
4 PLC ±				
ANGLES ±				
FINISH				

## X-ON Electronics

Largest Supplier of Electrical and Electronic Components

*Click to view similar products for [Lighting Connectors](#) category:*

*Click to view products by [TE Connectivity](#) manufacturer:*

Other Similar products are found below :

[293300-7](#) [293660-5](#) [CNX\\_H03\\_NTP](#) [30-9767-BU](#) [3605](#) [3-21030-1](#) [ZCH-110-RGB-I](#) [503471-0290](#) [ZCH-110-RGB-J](#) [217-0716-200](#)  
[1954563-1](#) [1-293657-2](#) [2834036-1](#) [2834037-1](#) [1-2213222-4](#) [2-2213222-4](#) [2213222-4](#) [2834122-3](#) [2834122-5](#) [2834135-2](#) [FLA-R4142-30](#)  
[FLA-R4162-30](#) [FLA-R2142-30](#) [FLA-R2141-30](#) [FLA-R2162-30](#) [FLA-R2161-30](#) [FLA-R0161-30](#) [FLA-R0141-30](#) [FLA-R0142-30](#) [FLA-](#)  
[R0162-30](#) [FLA-C00-00](#) [DGA00010553](#) [CNXV04NTP](#) [104128-0610](#) [503485-0000 \(Cut Strip\)](#) [503485-0000 \(Loose Piece\)](#) [503485-0000](#)  
[\(MINI Reel\)](#) [1-2834074-2](#) [1-2834074-3](#) [1357-AC PLUG W2C \(CHINA\)](#) [1357-AC PLUG W2 \(USA\)](#) [104266-0110](#) [CNXV02NTP](#) [2106212-1](#)  
[2-2834074-2](#) [104266-0210](#) [293470-1](#) [293651-2](#) [293651-4](#) [1-2834006-2](#)