

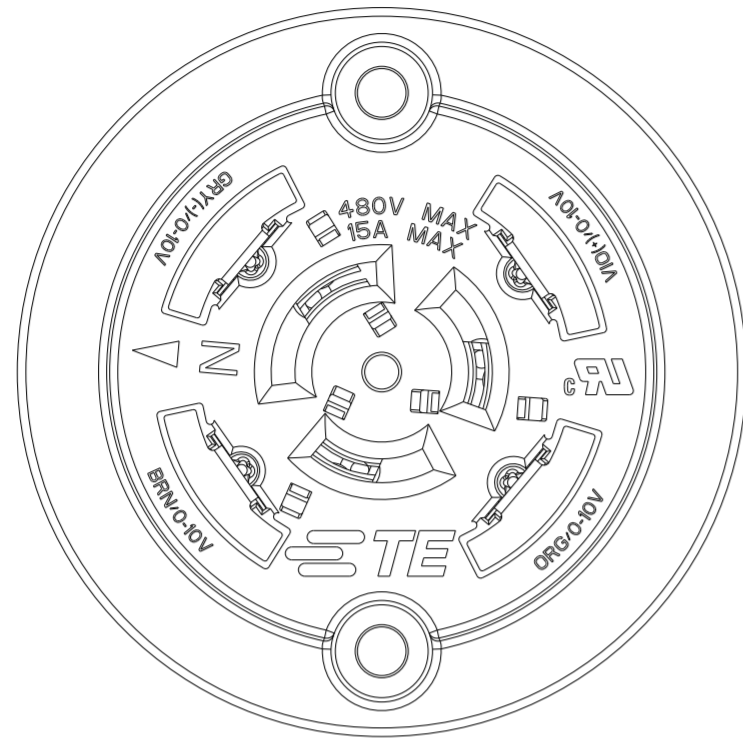
THIS DRAWING IS UNPUBLISHED. RELEASED FOR PUBLICATION 20  
 © COPYRIGHT 20 BY - ALL RIGHTS RESERVED.

NOTES:

1. MATERIALS:  
 HOUSING: GLASS-FILLED THERMOPLASTIC, UL 94V-0 RATED DIMMING CONTACTS (2 OR 4) AND LINE VOLTAGE CONTACTS (3): COPPER ALLOY
2. FINISH:  
 DIMMING CONTACTS (2 OR 4): NICKEL UNDERPLATE ENTIRE CONTACT 0.127 µm MIN THICK. GOLD PLATE CONTACT PAD AREA (MATING FACE SIDE ONLY) 0.76 µm MIN THICK. MATTE TIN PLATE TAB ON BOTH SIDES 0.30 µm MIN THICK. LINE VOLTAGE CONTACTS (3): TIN PLATE.
3. LINE VOLTAGE CONDUCTORS (3):  
 14 AWG, 600V, 150°C RATED, COPPER 41/30 STRANDED PER UL STYLE AWM 3321.
4. MATING INTERFACE PER ANSI C136.41-2013.
5. OPTIONAL DIMMING CONTACTS (2) SUPPLIED.
6. DIMMING CONDUCTORS (2 OR 4):  
 18 AWG, 600V, 150°C RATED, 16/30 STRANDED, PER UL STYLE AWM 3321.
7. LINE VOLTAGE CONDUCTORS (3):  
 14 AWG, 600V, 105°C RATED, COPPER 41/30 STRANDED. PER UL STYLE AWM 1015.

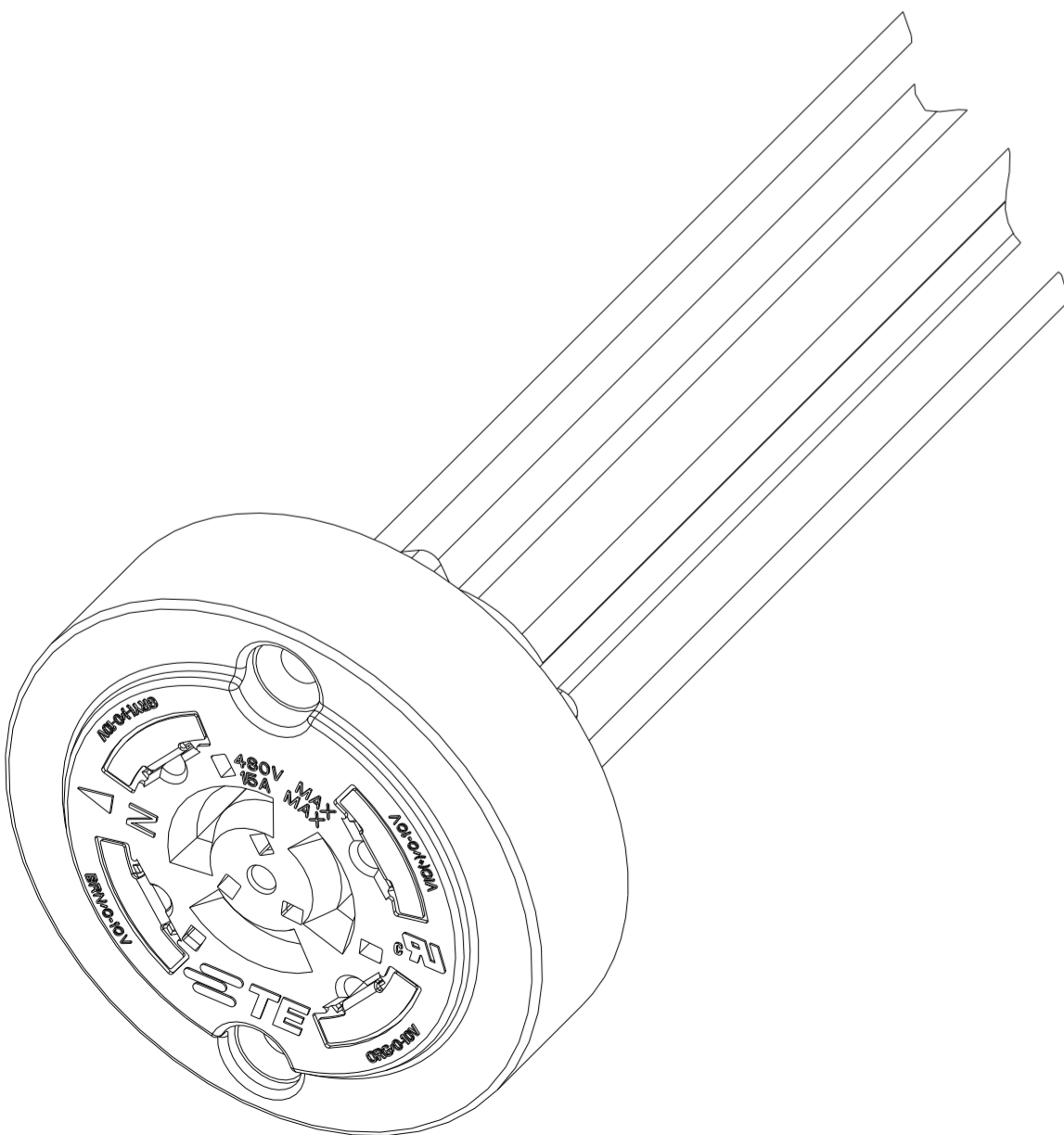
LOC		DIST		REVISIONS			
P	LTR	DESCRIPTION	DATE	DWN	APVD		
A20		REVISED PER ECR-20-016246	07DEC2020	MM	JL		
A21		REVISED PER ECR-21-110497	17AUG2021	JL	MM		

8. DIMMING CONDUCTORS (2 OR 4):  
 18 AWG, 600V, 105°C RATED, COPPER 16/30 STRANDED. PER UL STYLE AWM 1015.
9. LUBRICATION: GOLD PLATED CONTACT PAD SURFACES OF DIMMING CONTACTS ARE LUBRICATED WITH A TRANSPARENT (NON-VISIBLE) LUBRICANT TO IMPROVE DURABILITY AND PERFORMANCE. AVOID CONTACT WITH THESE SURFACES WHICH MAY RESULT IN REMOVAL OF LUBRICANT
10. PRELIMINARY.
11. FOR PART NUMBER 5-2213362-4 ONLY, STRIP AND REMOVE INSULATION AS SHOWN. LEAD WIRES TO BE SOLDER DIPPED.
12. MUST BE USED WITH EITHER GASKET P/N 2213469-1 OR P/N 2324246-1 (SOLD SEPARATELY).



SEE SHEET 2 FOR WIRING COLOR CODE

STRIP LENGTH	OVERALL LENGTH	WIRE LENGTH	WIRE STYLE	QUANTITY OF DIMMING CONTACTS	PART NO.
12.0	203.0	153.0	153.0	△7 AND △8	4
12.7	1036.3	1000	986.5	△7 AND △8	4 △5
12.7	266.3	230.0	216.5	△7 AND △8	4 △5
12.7	236.3	200.0	-	△7	-
12.7	341.1	304.8	-	△3	-
12.7	341.1	304.8	-	△7	-
15.88	264.9	228.6	-	△3	-
BLACK WIRE: 15.88 WHITE WIRE: 15.88 RED WIRE: 6.35	798.3	762.0	-	△3	-
9.0	341.1	304.8	291.3	△7 AND △8	4 △5
9.0	341.1	304.8	291.3	△7 AND △8	4 △5
12.7	950.7	914.4	914.4	△7 AND △8	4 △5
8.0	73.0	35.0	35.0	△7 AND △8	4 △5
12.7	1865.1	1828.8	1815.3	△3 AND △6	2
12.7	736.3	700.0	686.5	△7 AND △8	4 △5
12.7	696.3	660.0	646.5	△3 AND △6	4 △5
12.7	696.3	660.0	646.5	△3 AND △6	2
12.7	536.3	500.0	486.5	△7 AND △8	4 △5
12.7	536.3	500.0	486.5	△7 AND △8	2
12.7	1823.3	1346.0	1332.5	△3 AND △6	4 △5
12.7	536.3	500.0	486.5	△3 AND △6	2
12.7	341.1	304.8	291.3	△7 AND △8	4 △5
12.7	341.1	304.8	291.3	△7 AND △8	2
12.7	341.1	304.8	291.3	△3 AND △6	4 △5
12.7	341.1	304.8	291.3	△3 AND △6	2



THIS DRAWING IS A CONTROLLED DOCUMENT.

DWN	J. SHAFFER	26 JUN 2013
CHK	E. HOWARD	26 JUN 2013
APVD	E. HOWARD	26 JUN 2013

STE TE Connectivity

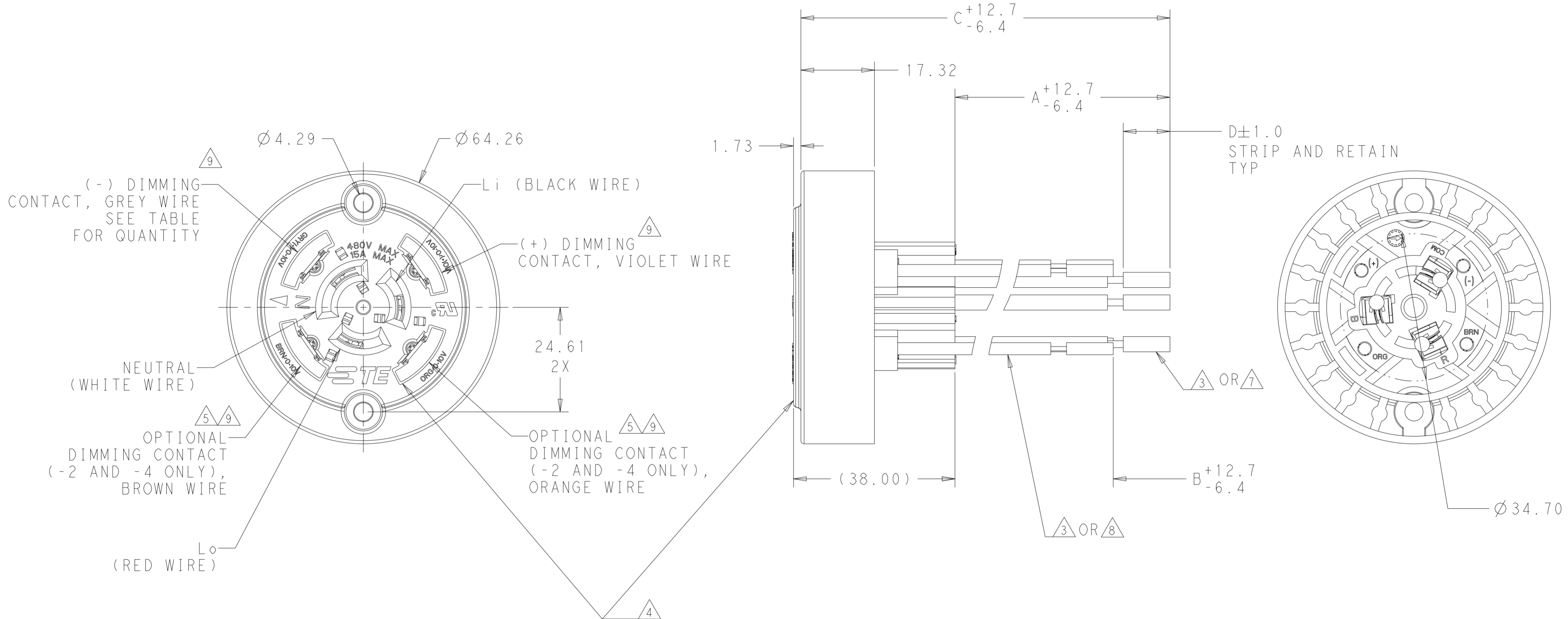
RECEPTACLE ASSEMBLY, DIMMABLE PHOTOCONTROL

PRODUCT SPEC	108-32059
APPLICATION SPEC	114-32115
WEIGHT	-

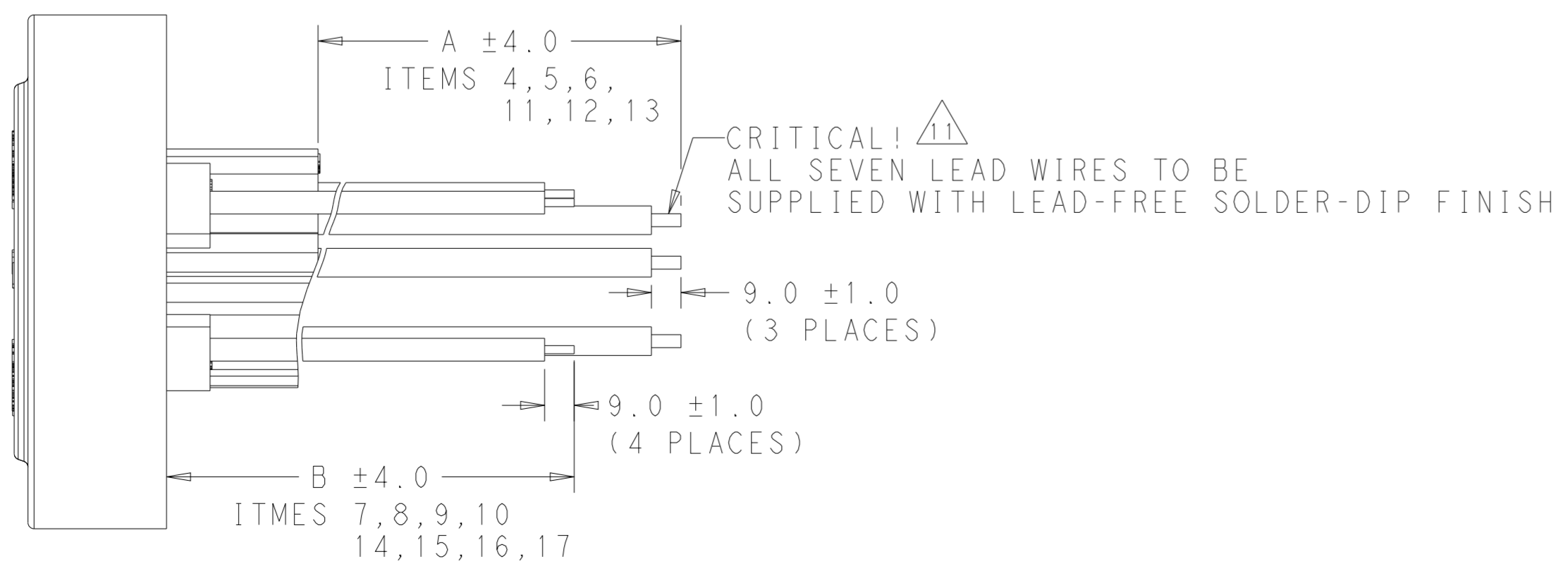
SIZE	A2	CAGE CODE	00779	DRAWING NO	C-2213362	RESTRICTED TO	-	
CUSTOMER DRAWING	SCALE	1:1	SHEET	1	OF	2	REV	A21

THIS DRAWING IS UNPUBLISHED. RELEASED FOR PUBLICATION 20  
 © COPYRIGHT 20 BY - ALL RIGHTS RESERVED.

LOC		DIST		REVISIONS			
P	LTR	DESCRIPTION	DATE	DWN	APVD		
-	-	SEE SHEET 1	-	-	-		



**5-2213362-4 ONLY**



THIS DRAWING IS A CONTROLLED DOCUMENT.		DWN J. SHAFFER 26 JUN 2013	TE Connectivity
DIMENSIONS: mm		CHK E. HOWARD 26 JUN 2013	
TOLERANCES UNLESS OTHERWISE SPECIFIED:		APVD E. HOWARD 26 JUN 2013	NAME RECEPTACLE ASSEMBLY, DIMMABLE PHOTOCONTROL
0 PLC $\pm$		PRODUCT SPEC 108-32059	SIZE A200779
1 PLC $\pm$		APPLICATION SPEC 114-32115	CAGE CODE C-2213362
2 PLC $\pm 0.13$		WEIGHT -	DRAWING NO -
3 PLC $\pm$		CUSTOMER DRAWING	RESTRICTED TO -
4 PLC $\pm$		SCALE 1:1	SHEET 2 OF 2
ANGLES $\pm$			REV A21
FINISH			

## X-ON Electronics

Largest Supplier of Electrical and Electronic Components

*Click to view similar products for [Lighting Connectors](#) category:*

*Click to view products by [TE Connectivity](#) manufacturer:*

Other Similar products are found below :

[293300-7](#) [293660-5](#) [CNX\\_H03\\_NTP](#) [30-9767-BU](#) [3605](#) [3-21030-1](#) [ZCH-110-RGB-I](#) [503471-0290](#) [ZCH-110-RGB-J](#) [217-0716-200](#)  
[1954563-1](#) [1-293657-2](#) [2834036-1](#) [2834037-1](#) [1-2213222-4](#) [2-2213222-4](#) [2213222-4](#) [2834122-3](#) [2834122-5](#) [2834135-2](#) [FLA-R4142-30](#)  
[FLA-R4162-30](#) [FLA-R2142-30](#) [FLA-R2141-30](#) [FLA-R2162-30](#) [FLA-R2161-30](#) [FLA-R0161-30](#) [FLA-R0141-30](#) [FLA-R0142-30](#) [FLA-](#)  
[R0162-30](#) [FLA-C00-00](#) [DGA00010553](#) [CNXV04NTP](#) [104128-0610](#) [503485-0000 \(Cut Strip\)](#) [503485-0000 \(Loose Piece\)](#) [503485-0000](#)  
[\(MINI Reel\)](#) [1-2834074-2](#) [1-2834074-3](#) [1357-AC PLUG W2C \(CHINA\)](#) [1357-AC PLUG W2 \(USA\)](#) [104266-0110](#) [CNXV02NTP](#) [2106212-1](#)  
[2-2834074-2](#) [104266-0210](#) [293470-1](#) [293651-2](#) [293651-4](#) [1-2834006-2](#)