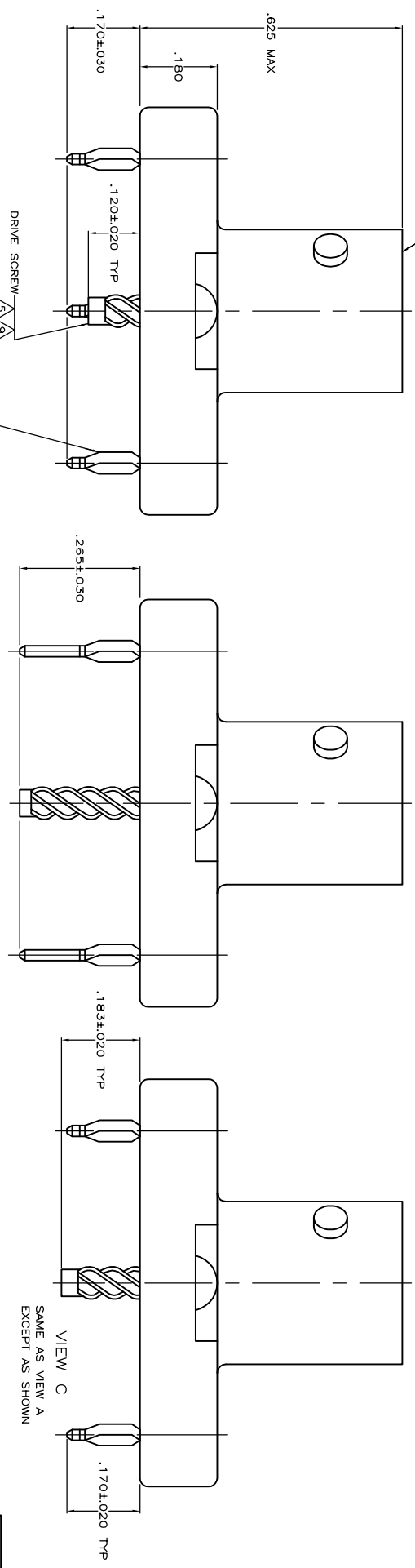


PCB CONFIGURATION  
SCALE 4:1

- ▲ ZINC PER QQ-2-363
- ▲ PTFE PER MIL-P-19468
- ▲ BERYLLIUM COPPER PER QQ-C-530
- ▲ COPPER NICKEL ALLOY PER ASTM-B-122
- ▲ STAINLESS STEEL PER ASTM-A-582
- ▲ BRASS PER QQ-B-626
- ▲ NICKEL PLATE PER QQ-N-290, .000200 MINIMUM THICKNESS
- ▲ GOLD PLATE PER MIL-G-45204, .000030 - .0000055 MINIMUM THICKNESS
- ▲ PASSIVATE PER QQ-P-35
- ▲ TIN PLATE PER ASTM-B-545, .000100 - .000200 MINIMUM THICKNESS
- ▲ PREPARE BOARD AND TERMINATE PER APPLICATION SPEC 114-12001
- 1.2. SEE INSTRUCTION SHEET 9194.
- ▲ GOLD PLATE PER MIL-G-45204.



VIEW A

VIEW B

VIEW C

SAME AS VIEW A  
EXCEPT AS SHOWN

SAME AS VIEW A  
EXCEPT AS SHOWN

THIS DRAWING IS A CONTROLLED DOCUMENT.

DATE	REV	DESCRIPTION
108-12103	1	REVISED PER ECR-17-001577

DRAWN BY: J. E. BILLY  
 CHECKED BY: J. E. BILLY  
 DATE: 108-12103  
 SCALE: 1:1  
 PART: 0.000000  
 CUSTOMER DRAWING: A1100779-221336

DATE	REV	DESCRIPTION
108-12103	1	REVISED PER ECR-17-001577

DRAWN BY: J. E. BILLY  
 CHECKED BY: J. E. BILLY  
 DATE: 108-12103  
 SCALE: 1:1  
 PART: 0.000000  
 CUSTOMER DRAWING: A1100779-221336

**STE** TE Connectivity  
 PART NUMBER: 73 SHL, COMMERCIAL BNC  
 SCALE: 8:1 SHEET 1 OF 1 REV 2

OBsolete	B	221336-4
OBsolete	C	221336-3
OBsolete	C	221336-2
OBsolete	A	221336-1

## X-ON Electronics

Largest Supplier of Electrical and Electronic Components

*Click to view similar products for* [RF Connectors / Coaxial Connectors](#) *category:*

*Click to view products by* [TE Connectivity](#) *manufacturer:*

Other Similar products are found below :

[R125315120](#) [8915-1511-000](#) [89674-0827](#) [5916-1103-603](#) [6-0001-3](#) [6001-7071-019](#) [6002-7051-003](#) [6002-7551-202](#) [6059674-1](#) [619550-1](#)  
[630059-000](#) [M39012/25-0021](#) [M39012/79-3008](#) [M39030/3-01N](#) [M39030/3-03N](#) [M3933/25-36N](#) [6500-7071-046](#) [M83723/72W24576](#)  
[M83723/72W2457N](#) [6769](#) [CX050L2AQ](#) [7002-1541-010](#) [7002-1572-002](#) [7003-1572-002](#) [7010-1511-000](#) [7029-1511-060](#) [7101-1541-010](#)  
[7101-1571-002](#) [7105-1521-002](#) [7145-1521-002](#) [7209-1511-011](#) [7210-1511-015](#) [7210-1511-019](#) [7225-1512-050](#) [7242-1511-000](#) [73137-5015](#)  
[73251-0111](#) [73251-0672](#) [7325-1512-000](#) [73276-1501](#) [73366-0013](#) [73404-2300](#) [73413-6080](#) [73415-5721](#) [7405-1521-005](#) [7405-1521-802](#)  
[7406-1521-005](#) [804S01D04M040](#) [8145-1521-002](#) [81590](#)