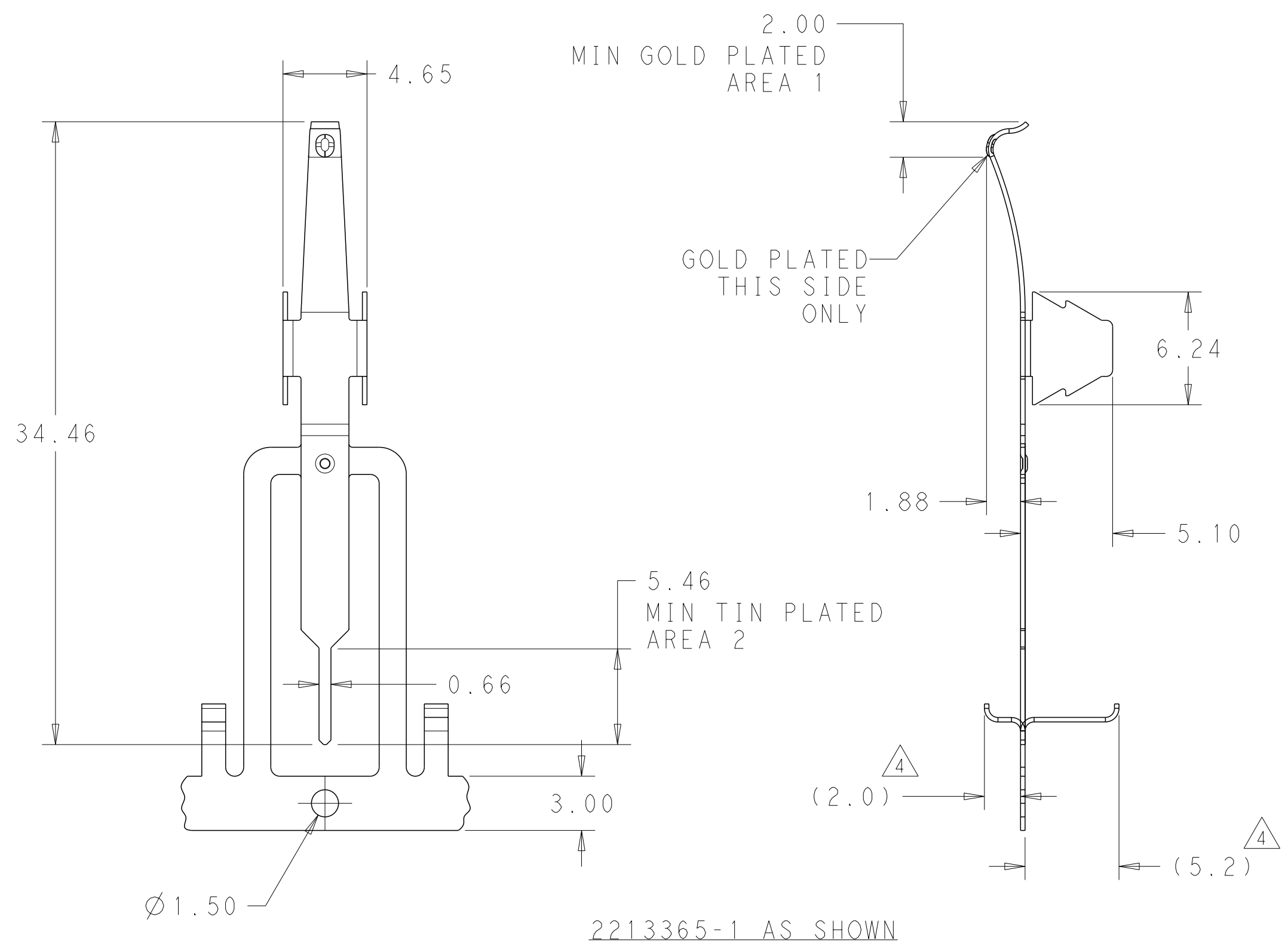


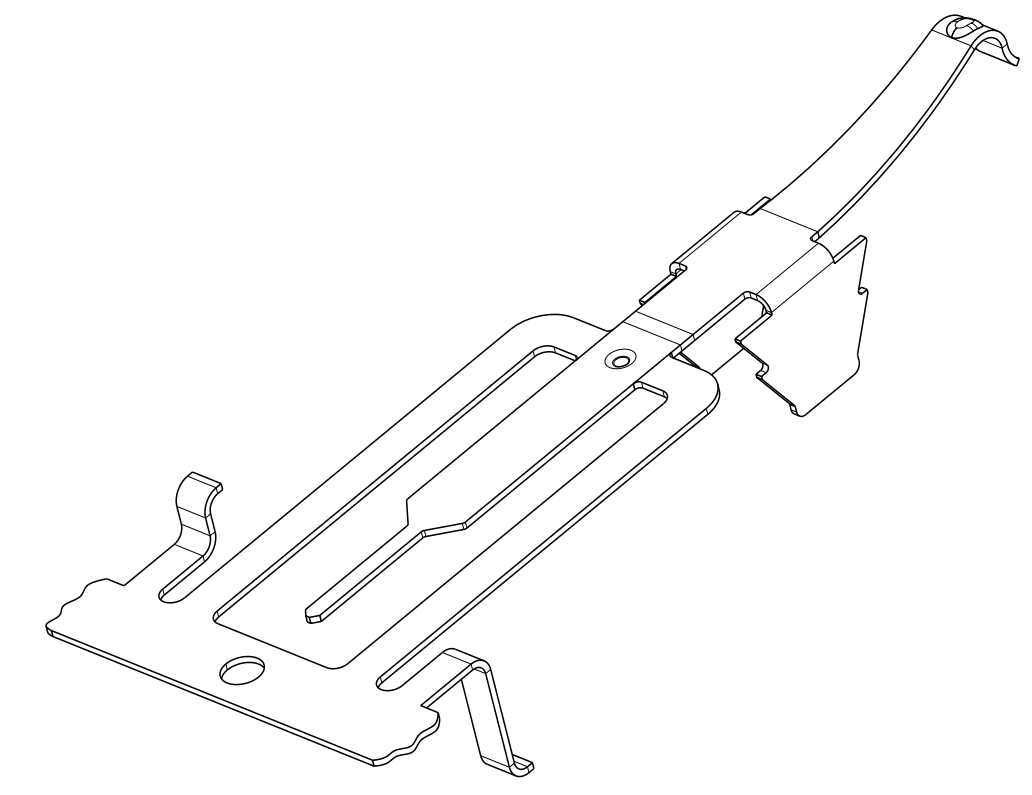
THIS DRAWING IS UNPUBLISHED. RELEASED FOR PUBLICATION 20
 © COPYRIGHT 20 BY - ALL RIGHTS RESERVED.

LOC		DIST		REVISIONS			
P	LTR	DESCRIPTION	DATE	DWN	APVD		
A		REVISED PER ECR-14-012230	12SEP2014	RS	DD		
A1		REVISED PER ECR-17-018430	28DEC2017	GCM	DD		



NOTES:

- MATERIAL: COPPER ALLOY 0.254 THICK
 FINISH: NICKEL UNDERPLATE ENTIRE CONTACT 0.127 µm MIN THICK.
 GOLD PLATED IN AREA 1 ON ONE SIDE ONLY 0.76 µm MIN THICK.
 MATTE TIN PLATED IN AREA 2 3.0 µm MIN THICK
- FINAL FORMING AND LOOSE PIECE OPERATIONS AS SHOWN ON SHEET 2 MUST BE PERFORMED BY CUSTOMER.
- APPLICATION FEED IS 14.64.
- CARRIER STRIP STANDOFFS PROVIDE PRODUCT PROTECTION DURING SHIPPING.



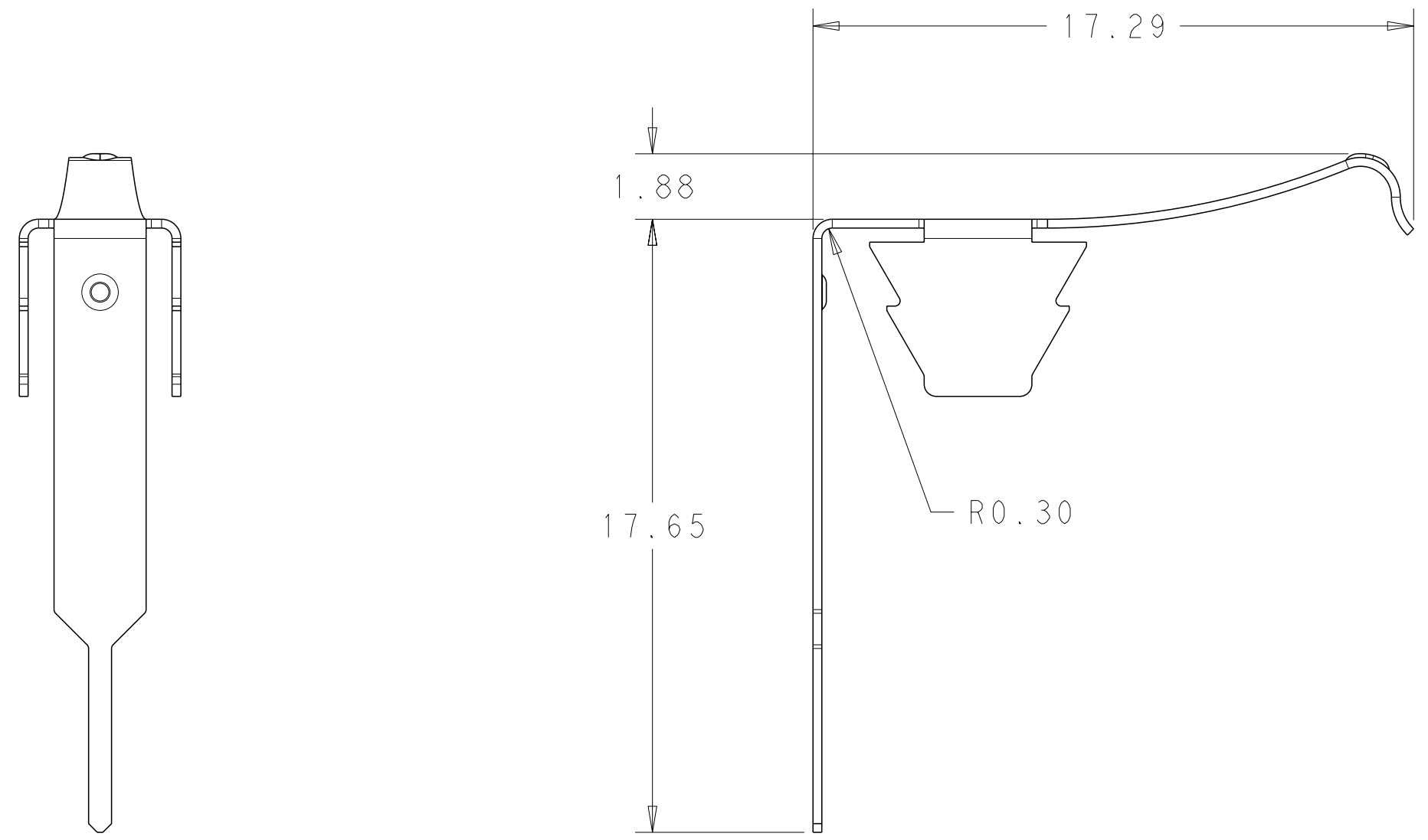
SCALE 4:1

AS SHOWN - ON STRIP	2213365-1
DESCRIPTION	PART NO.


THIS DRAWING IS A CONTROLLED DOCUMENT.		DWN	J. SHAFFER	26 JUN 2013	TE Connectivity DIMMABLE PHOTOCONTROL BRUSH CONTACT			
DIMENSIONS: mm		CHK	E. HOWARD	26 JUN 2013				
TOLERANCES UNLESS OTHERWISE SPECIFIED:		APVD	E. HOWARD	26 JUN 2013				
0 PLC ± 1 PLC ± 2 PLC ±0.13 3 PLC ± 4 PLC ± ANGLES ± FINISH		PRODUCT SPEC						
MATERIAL		APPLICATION SPEC			SIZE	CAGE CODE	DRAWING NO	RESTRICTED TO
		WEIGHT			A2	00779	C-2213365	-
		Customer Drawing			SCALE	1:1	SHEET	1 OF 4
					REV	A1		

THIS DRAWING IS UNPUBLISHED. RELEASED FOR PUBLICATION 20
 © COPYRIGHT 20 BY - ALL RIGHTS RESERVED.

LOC		DIST		REVISIONS			
P	LTR	DESCRIPTION	DATE	DWN	APVD		
-	-	SEE SHEET 1	-	-	-		

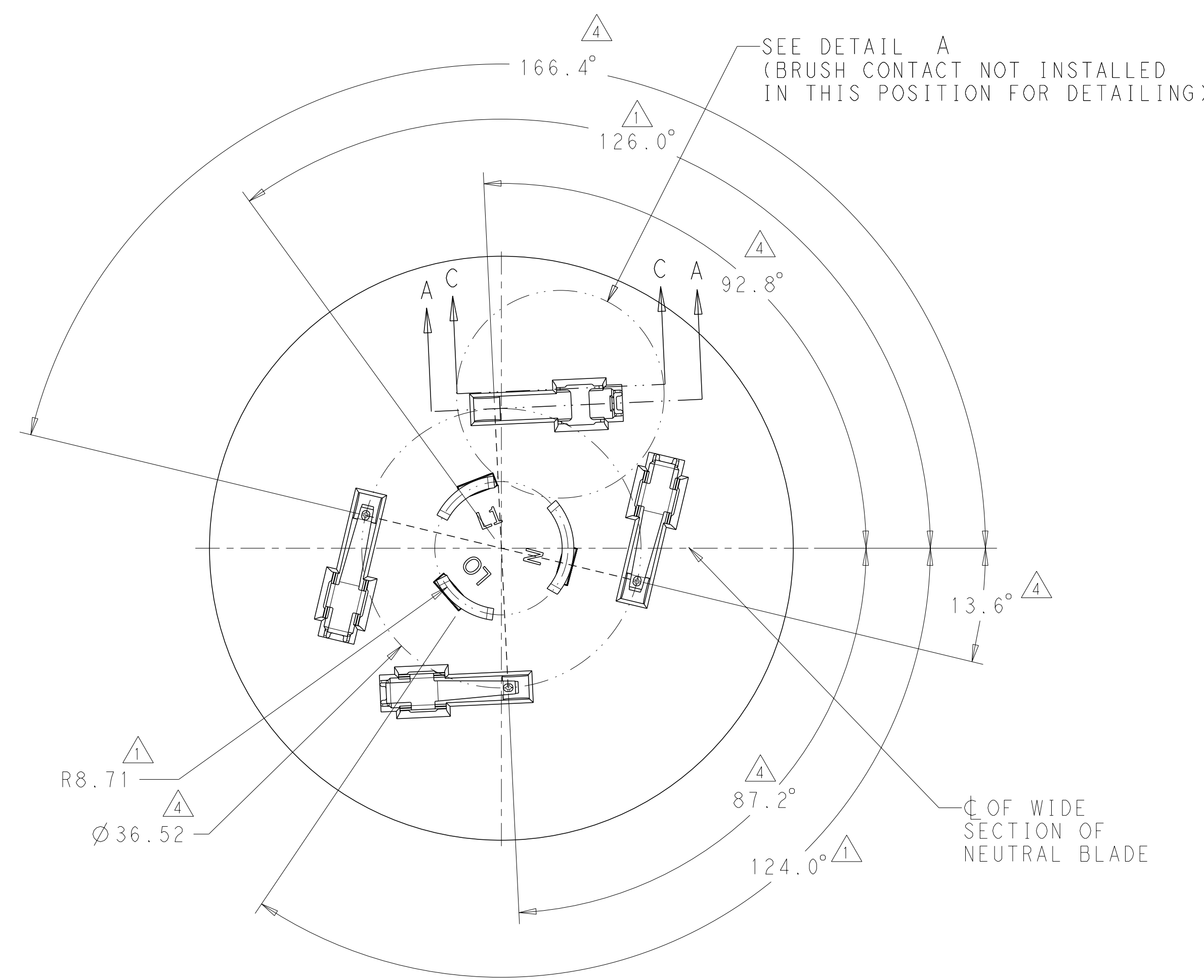


△
 RECOMMENDED FINAL FORMED
 LOOSE PIECE
 FINAL FORM AND LOOSE PIECE
 OPERATION MUST BE
 PERFORMED BY CUSTOMER

THIS DRAWING IS A CONTROLLED DOCUMENT.		DWN J. SHAFFER 26 JUN 2013	 TE Connectivity															
DIMENSIONS: mm		CHK E. HOWARD 26 JUN 2013																
TOLERANCES UNLESS OTHERWISE SPECIFIED:		APVD E. HOWARD 26 JUN 2013	NAME DIMMABLE PHOTOCONTROL BRUSH CONTACT															
<table border="1"> <tr><td>0 PLC</td><td>±</td></tr> <tr><td>1 PLC</td><td>±</td></tr> <tr><td>2 PLC</td><td>±0.13</td></tr> <tr><td>3 PLC</td><td>±</td></tr> <tr><td>4 PLC</td><td>±</td></tr> <tr><td>ANGLES</td><td>±</td></tr> <tr><td>FINISH</td><td>±</td></tr> </table>		0 PLC	±	1 PLC	±	2 PLC	±0.13	3 PLC	±	4 PLC	±	ANGLES	±	FINISH	±	PRODUCT SPEC -	SIZE A200779	CAGE CODE C-2213365
0 PLC	±																	
1 PLC	±																	
2 PLC	±0.13																	
3 PLC	±																	
4 PLC	±																	
ANGLES	±																	
FINISH	±																	
MATERIAL -	WEIGHT -	APPLICATION SPEC -	DRAWING NO C-2213365	RESTRICTED TO -														
Customer Drawing		SCALE 1:1	SHEET 2	OF 4														
			REV A1															

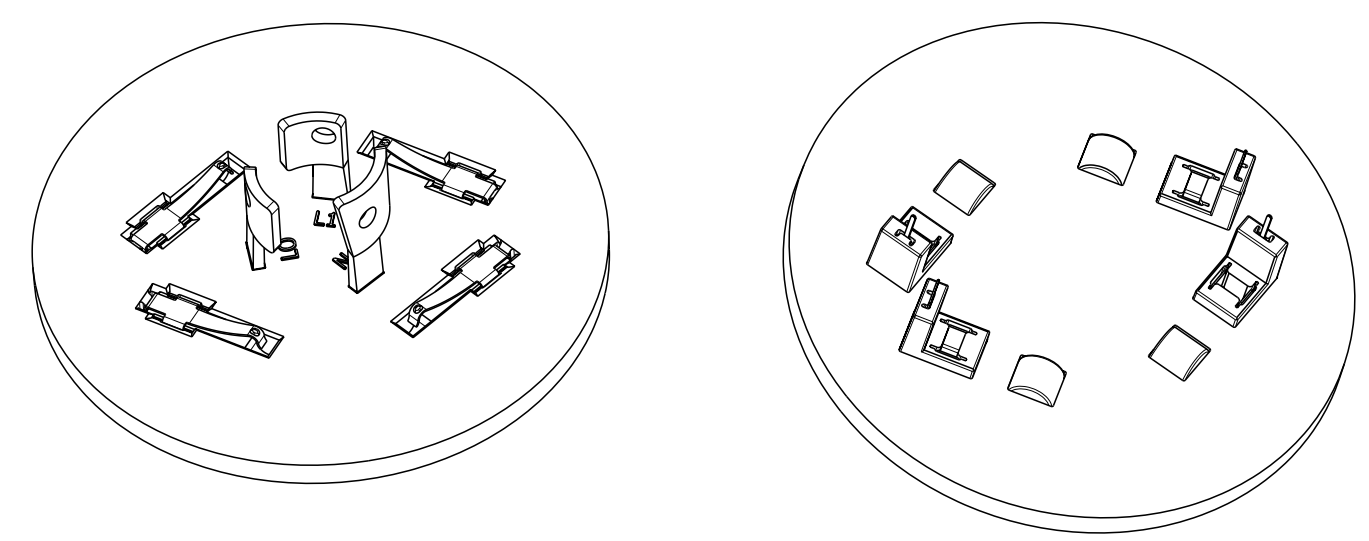
THIS DRAWING IS UNPUBLISHED. RELEASED FOR PUBLICATION 20
 © COPYRIGHT 20 BY - ALL RIGHTS RESERVED.

LOC		DIST		REVISIONS			
P	LTR	DESCRIPTION	DATE	DWN	APVD		
-	-	SEE SHEET 1	-	-	-		

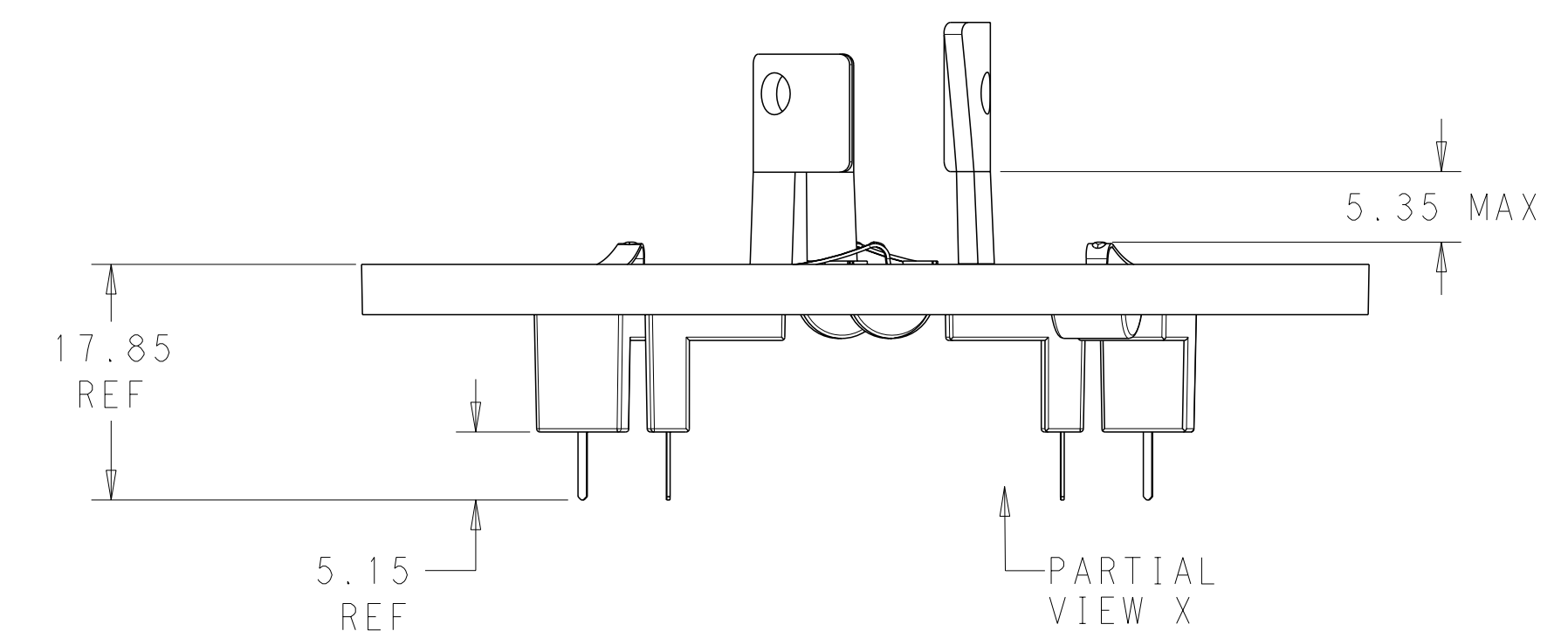


NOTES FOR BRUSH CONTACT POCKET DETAILS:

- 1. DIMENSIONS ARE PER ANSI C136.10
- 2. UNLESS OTHERWISE NOTED, ALL DIMENSIONS ARE ±0.127mm
- 3. UNLESS OTHERWISE NOTED, ALL ANGLES ARE ±0.5°
- 4. CIRCULAR AND ANGULAR POSITION FOR CONTACT POINT ON BRUSH CONTACT.
- 5. CUSTOMER MAY ROTATE BRUSH CONTACT POCKET PER THEIR PHOTOCELL DESIGN REQUIREMENTS, BUT BRUSH CONTACT POINT MUST BE POSITIONED AS SHOWN TO BE COMPATIBLE WITH ANSI C136.41-200X DIMMING RECEPTACLE.



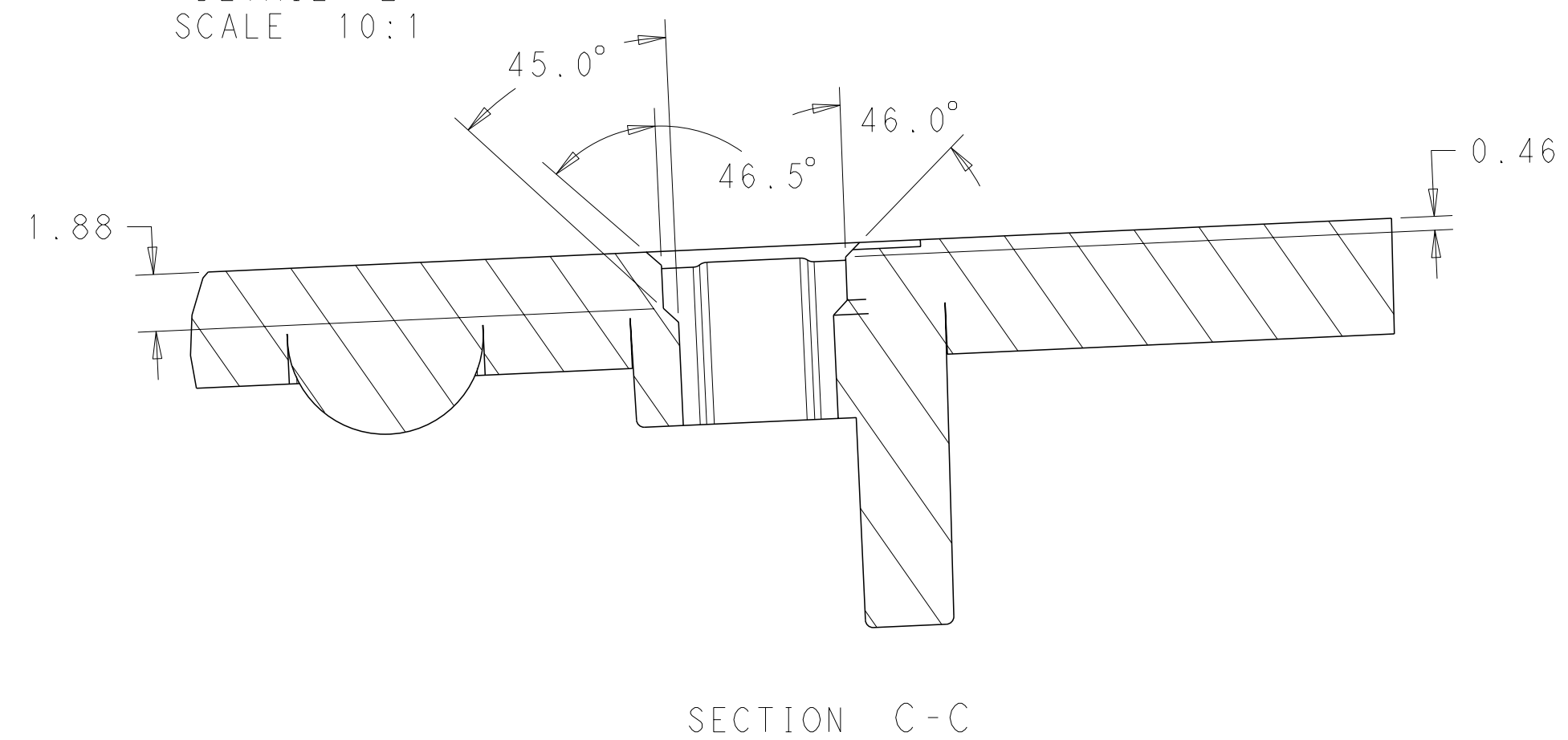
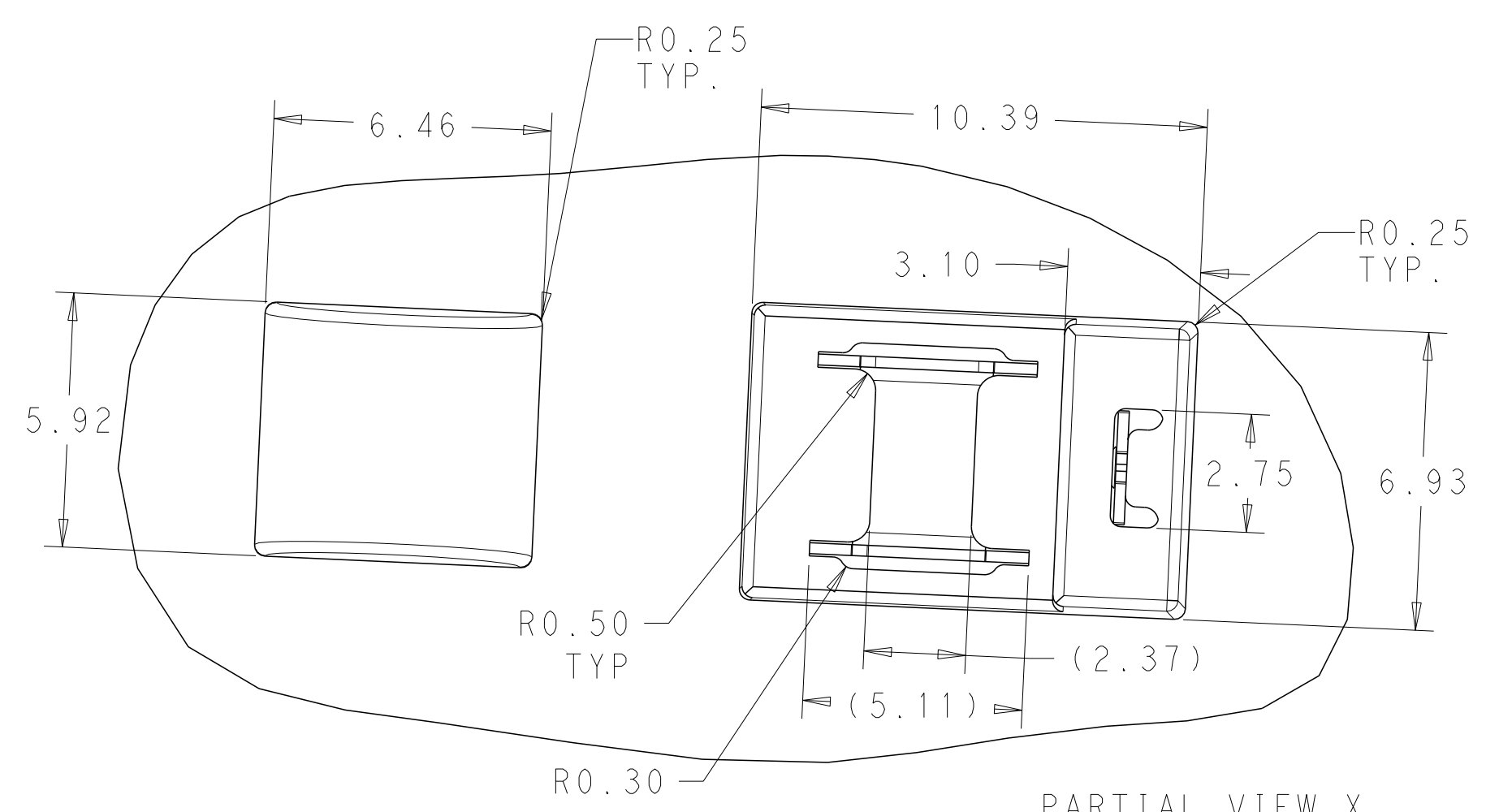
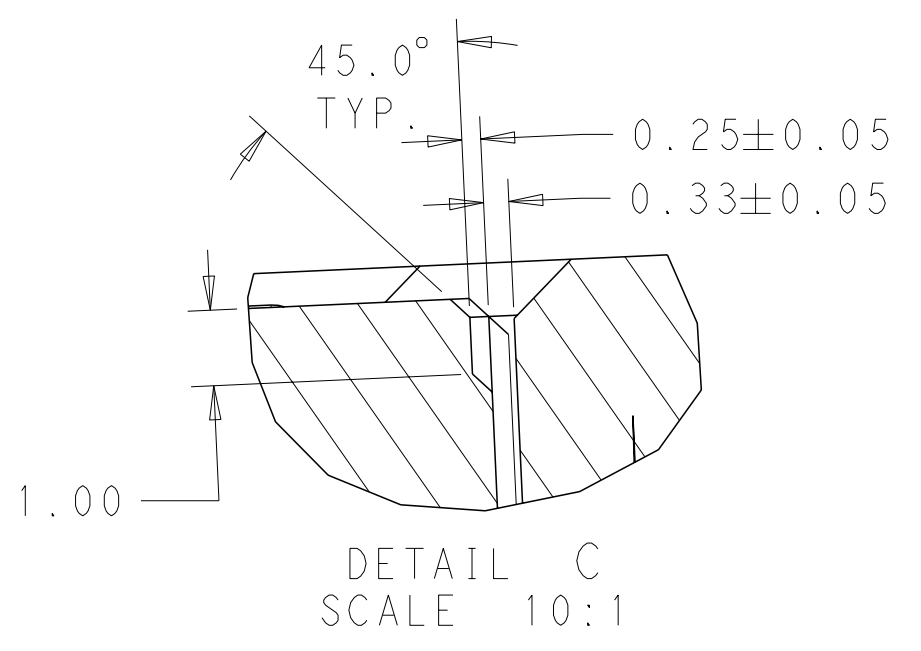
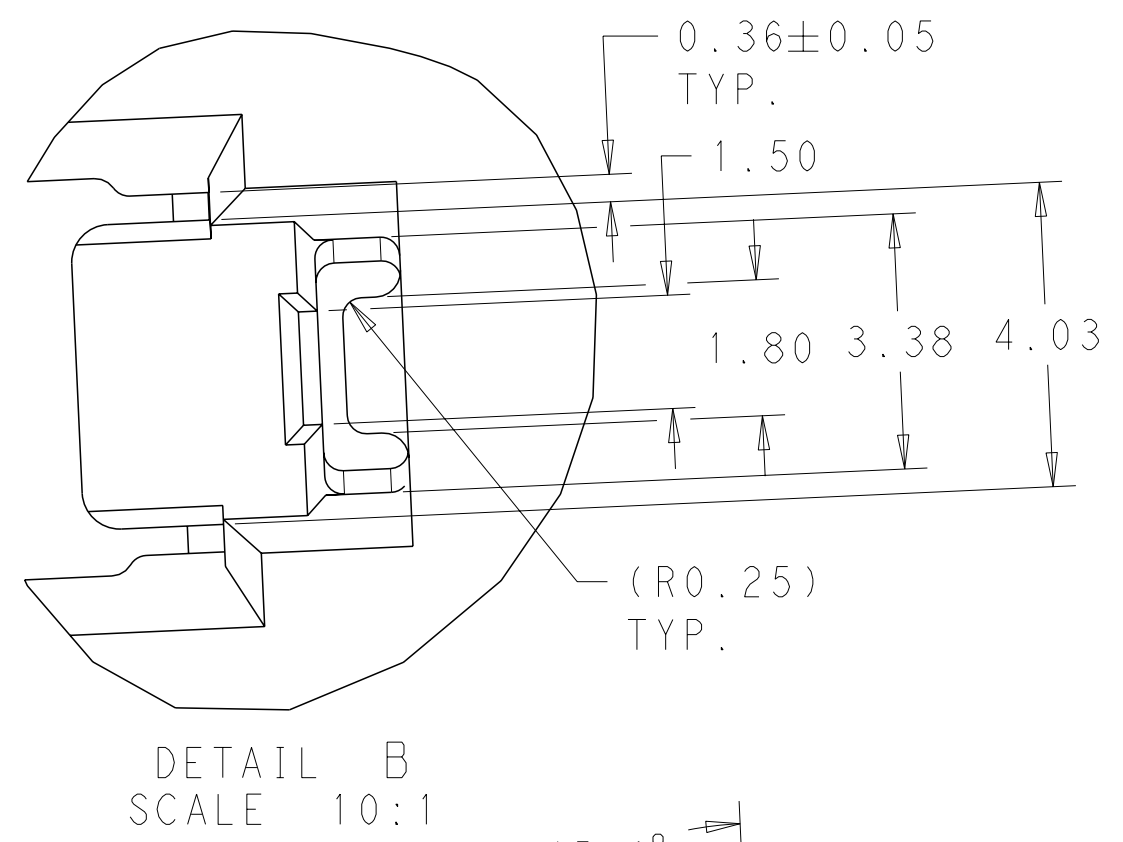
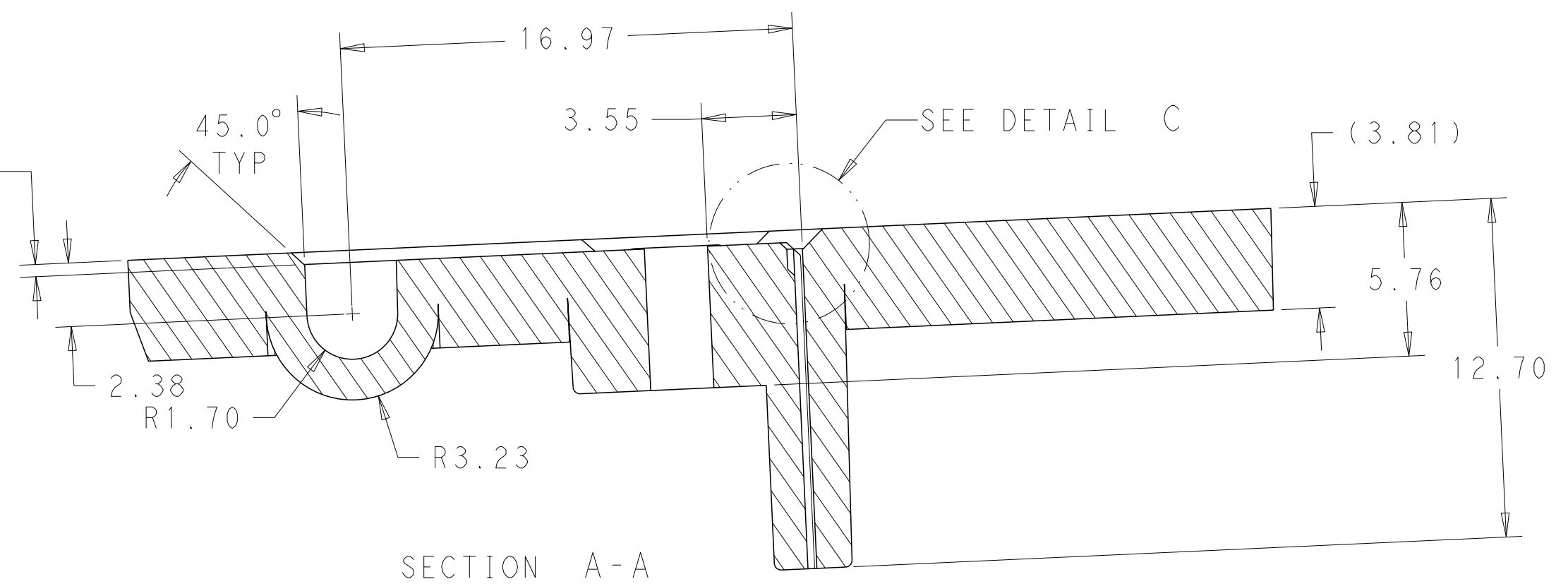
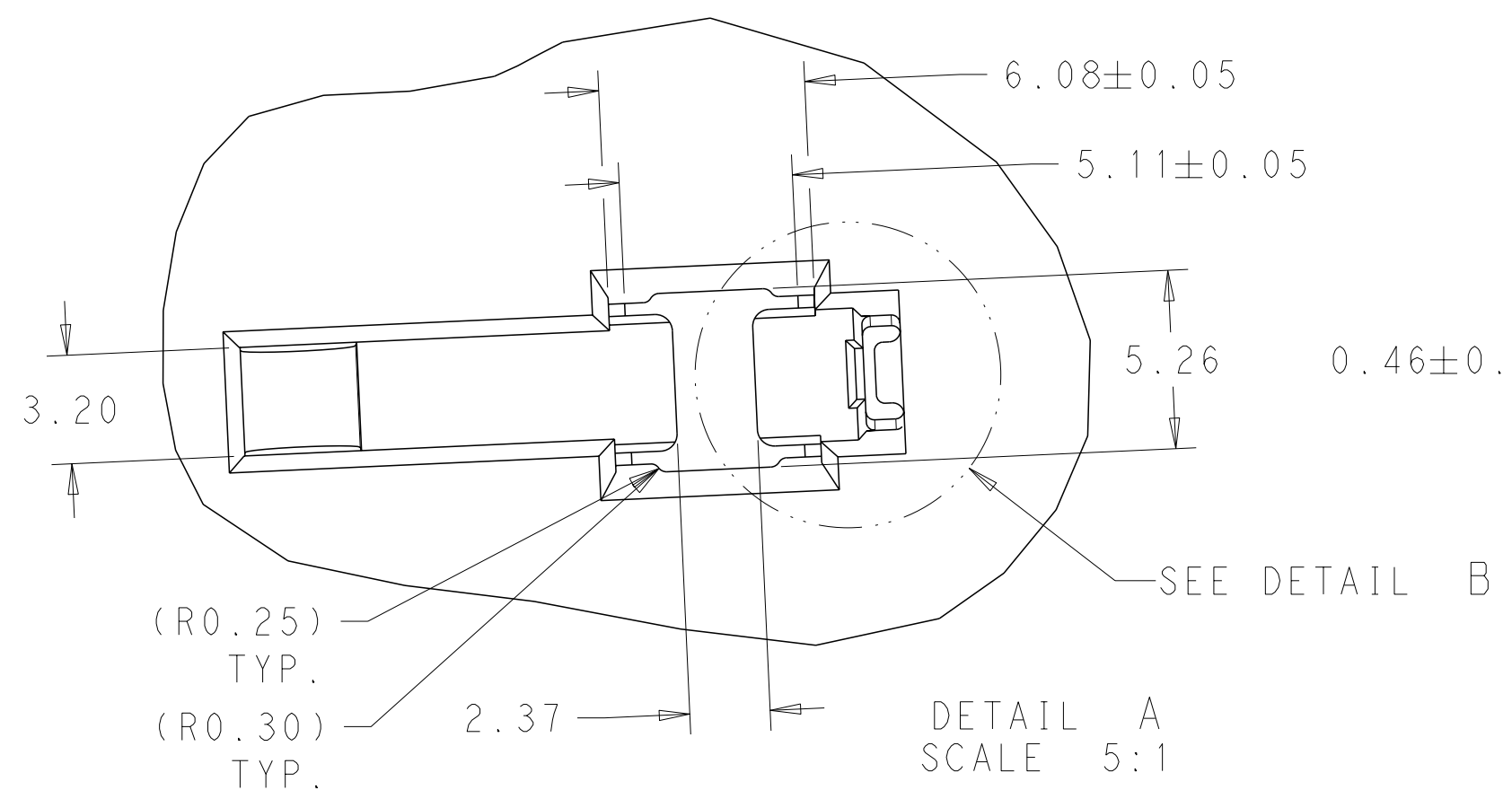
PHOTOCELL BRUSH CONTACT LOCATIONS AS SHOWN



THIS DRAWING IS A CONTROLLED DOCUMENT.		DWN J. SHAFFER 26 JUN 2013	TE Connectivity	
DIMENSIONS: mm		CHK E. HOWARD 26 JUN 2013		
TOLERANCES UNLESS OTHERWISE SPECIFIED:		APVD E. HOWARD 26 JUN 2013	NAME DIMMABLE PHOTOCONTROL BRUSH CONTACT	
0 PLC ±-		PRODUCT SPEC -	SIZE A200779 C-2213365	
1 PLC ±-		APPLICATION SPEC -	RESTRICTED TO -	
2 PLC ±0.13		WEIGHT -	SCALE 1:1 SHEET 3 OF 4 REV A1	
3 PLC ±-		Customer Drawing		
4 PLC ±-				
ANGLES ±-				
FINISH -				

THIS DRAWING IS UNPUBLISHED. RELEASED FOR PUBLICATION 20
 © COPYRIGHT 20 BY - ALL RIGHTS RESERVED.

LOC		DIST		REVISIONS			
P	LTR	DESCRIPTION	DATE	DWN	APVD		
-	-	SEE SHEET 1	-	-	-		



SUGGESTED BRUSH CONTACT POCKET
 DETAIL AS SHOWN

PARTIAL VIEW X
 SCALE 7:1

SECTION C-C

THIS DRAWING IS A CONTROLLED DOCUMENT.		DWN J. SHAFFER 26 JUN 2013	TE Connectivity	
DIMENSIONS: mm		CHK E. HOWARD 26 JUN 2013		
TOLERANCES UNLESS OTHERWISE SPECIFIED:		APVD E. HOWARD 26 JUN 2013	NAME DIMMABLE PHOTOCONTROL BRUSH CONTACT	
0 PLC ± 1 PLC ± 2 PLC ±0.13 3 PLC ± 4 PLC ± ANGLES ± FINISH ±		PRODUCT SPEC -	SIZE A200779	CAGE CODE C-2213365
MATERIAL -		APPLICATION SPEC -	DRAWING NO -	RESTRICTED TO -
-		WEIGHT -	SCALE 1:1 SHEET 4 OF 4 REV A1	
-		Customer Drawing		

X-ON Electronics

Largest Supplier of Electrical and Electronic Components

Click to view similar products for [Lighting Connectors](#) category:

Click to view products by [TE Connectivity](#) manufacturer:

Other Similar products are found below :

[293300-7](#) [293660-5](#) [CNX_H03_NTP](#) [30-9767-BU](#) [3605](#) [3-21030-1](#) [ZCH-110-RGB-I](#) [503471-0290](#) [ZCH-110-RGB-J](#) [217-0716-200](#)
[1954563-1](#) [1-293657-2](#) [2834036-1](#) [2834037-1](#) [1-2213222-4](#) [2-2213222-4](#) [2213222-4](#) [2834122-3](#) [2834122-5](#) [2834135-2](#) [FLA-R4142-30](#)
[FLA-R4162-30](#) [FLA-R2142-30](#) [FLA-R2141-30](#) [FLA-R2162-30](#) [FLA-R2161-30](#) [FLA-R0161-30](#) [FLA-R0141-30](#) [FLA-R0142-30](#) [FLA-](#)
[R0162-30](#) [FLA-C00-00](#) [DGA00010553](#) [CNXV04NTP](#) [104128-0610](#) [503485-0000 \(Cut Strip\)](#) [503485-0000 \(Loose Piece\)](#) [503485-0000](#)
[\(MINI Reel\)](#) [1-2834074-2](#) [1-2834074-3](#) [1357-AC PLUG W2C \(CHINA\)](#) [1357-AC PLUG W2 \(USA\)](#) [104266-0110](#) [2106212-1](#) [2-2834074-2](#)
[104266-0210](#) [293470-1](#) [293651-2](#) [293651-4](#) [1-2834006-2](#) [293651-1](#)