

THIS DRAWING IS UNPUBLISHED.

RELEASED FOR PUBLICATION

20

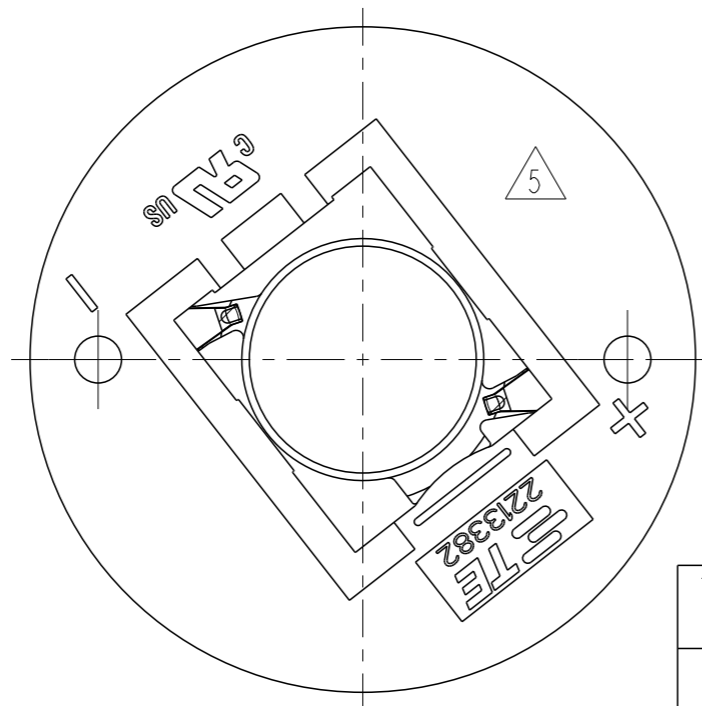
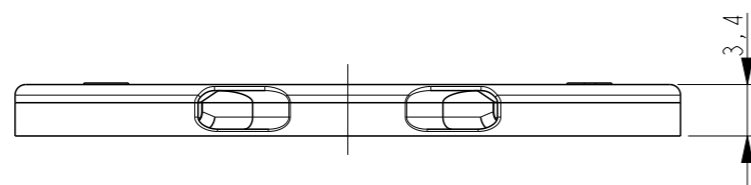
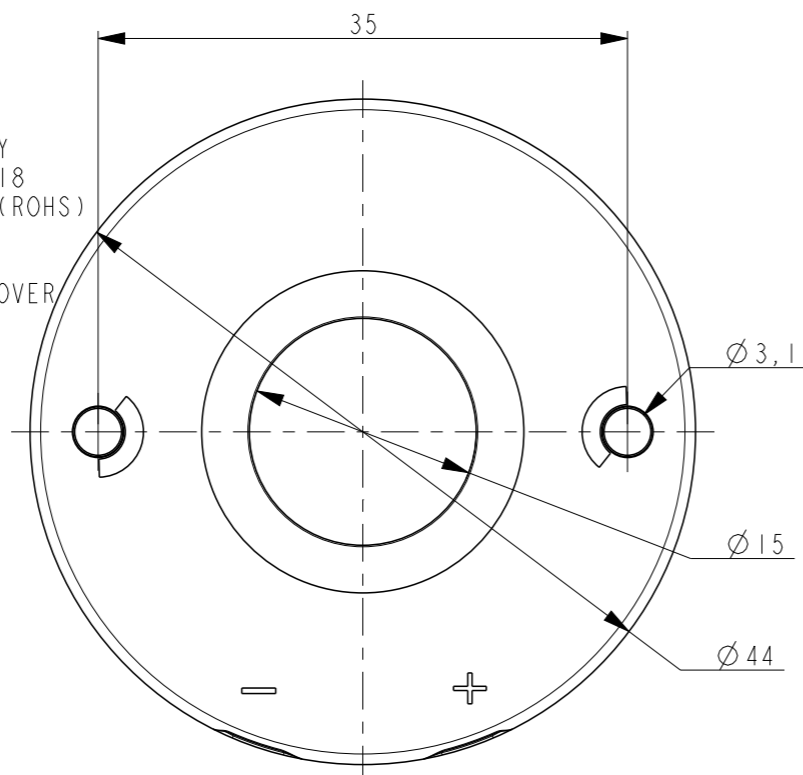
© COPYRIGHT 20 BY -

ALL RIGHTS RESERVED.

NOTES:

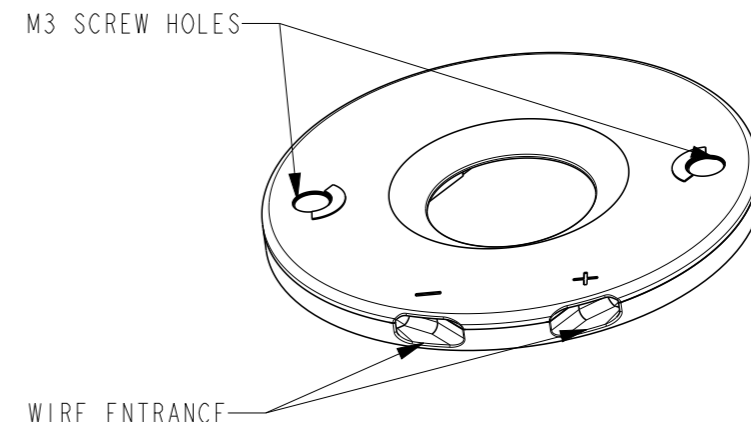
- 1. MATERIALS:
HOUSING: GLASS FILLED PBT
HALOGEN FREE FLAME RETARDANT,
COLOR : NATURAL/WHITE
CONTACTS: SILVER PLATED COPPER ALLOY
- 2. FOR SOLID AND STRANDED WIRE AWG 22-18
- 3. COMPLIES WITH DIRECTIVE 2002/95/EC (ROHS)
- 4. M3 SCREW TO BE USED FOR MOUNTING

- 5. DATE CODE YY-WW-D ANY WHERE EXCEPT OVER LOGO OR +/- SIGN.
- 6. FOR COB-TO-HOLDER CROSS REFERENCE, REFER TO APPLICATION SPECIFICATION 114-32208.

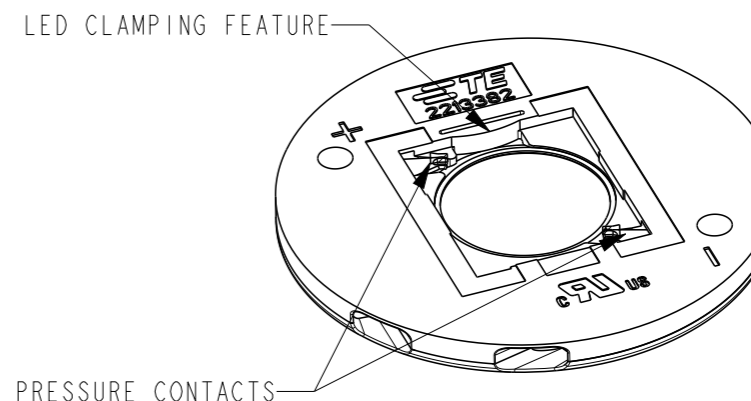


2213382-1 AS SHOWN
LUMAWISE LED HOLDER Z50 LOW PROFILE

REVISIONS					
P	LTR	DESCRIPTION	DATE	DWN	APVD
	A4	ADDED RELEASED LEDES	25JAN2017	KR	MvE
	B	REVISED PER ECR-17-005513	13APR2017	SK	MvE
	B1	REVISED PER ECR-17-016356	07NOV2017	RK	OL
	B2	REVISED PER ECR-19-009282	14JUN2019	SR	DD



SCALE 3:2



DESCRIPTION	PART NO	PACKAGING
LUMAWISE LED HOLDER Z50 STANDARD PROFILE 1619	2213382-2	5x4 PIECES IN TRAY 25 TRAYS IN SHIPPING BOX
LUMAWISE LED HOLDER Z50 LOW PROFILE 1619	2213382-1	5x4 PIECES IN TRAY 35 TRAYS IN SHIPPING BOX

THIS DRAWING IS A CONTROLLED DOCUMENT.		DWN YASHKUMAR 31AUG2013	TE Connectivity NAME LUMAWISE LED HOLDER Z50 1619			
DIMENSIONS: mm		CHK M.V.ESSSEN 31AUG2013				
TOLERANCES UNLESS OTHERWISE SPECIFIED:		APVD O.I.FIUNSE 31AUG2013				
0 PLC ±- 1 PLC ±- 2 PLC ±- 3 PLC ±- 4 PLC ±- ANGLES ±-		PRODUCT SPEC 108-133008				
MATERIAL	FINISH	APPLICATION SPEC 114-32048	SIZE A3	CAGE CODE -	DRAWING NO C-2213382	RESTRICTED TO -
		WEIGHT -	SCALE 2:1		SHEET 1 OF 3	REV B2
		Customer Drawing				

THIS DRAWING IS UNPUBLISHED.

RELEASED FOR PUBLICATION

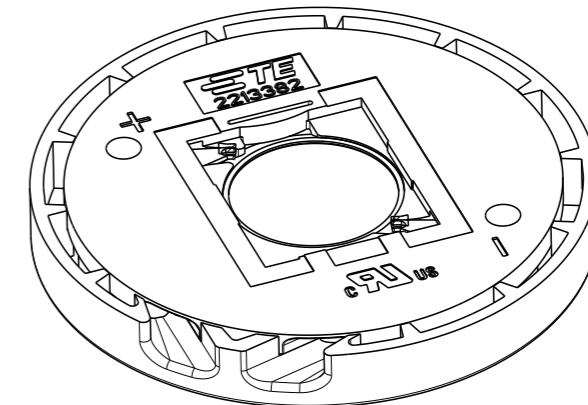
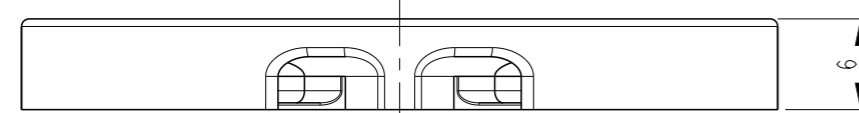
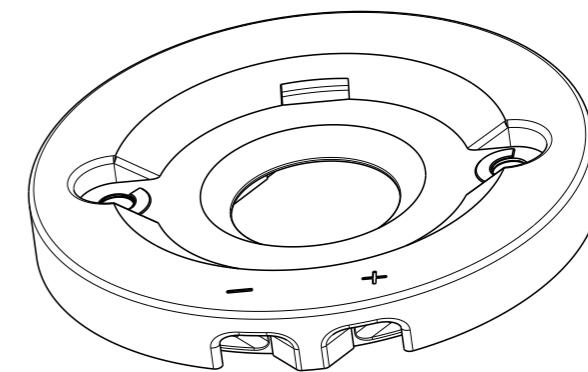
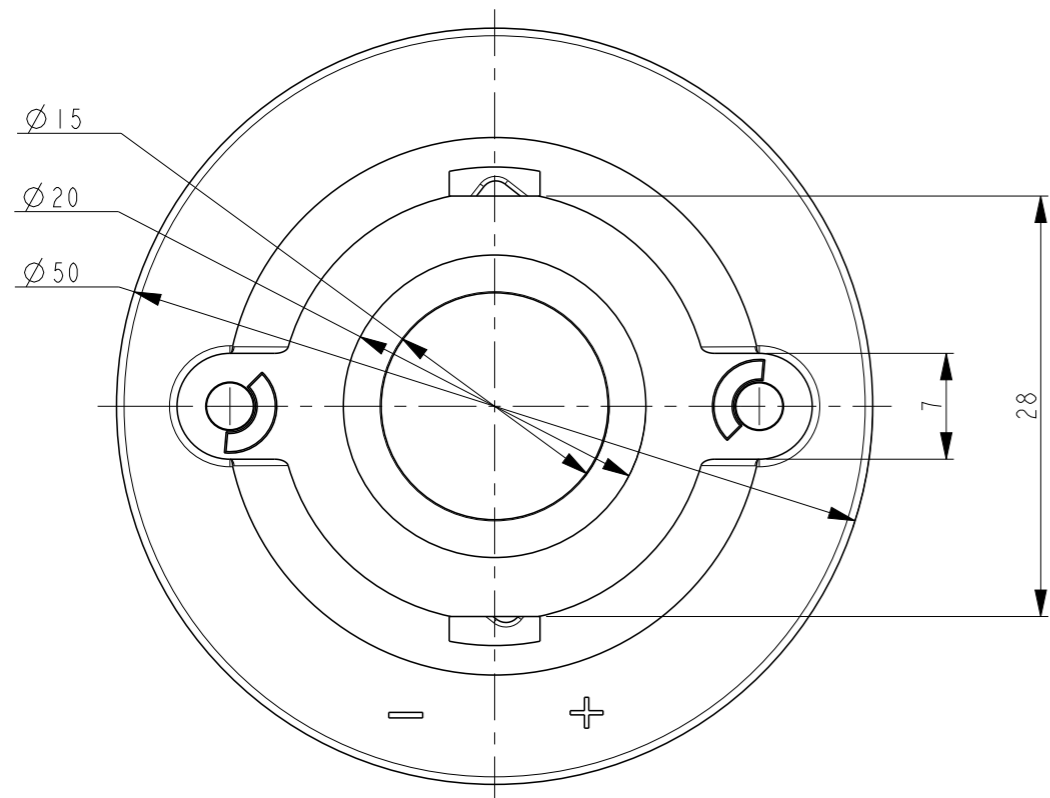
20

© COPYRIGHT 20 BY -

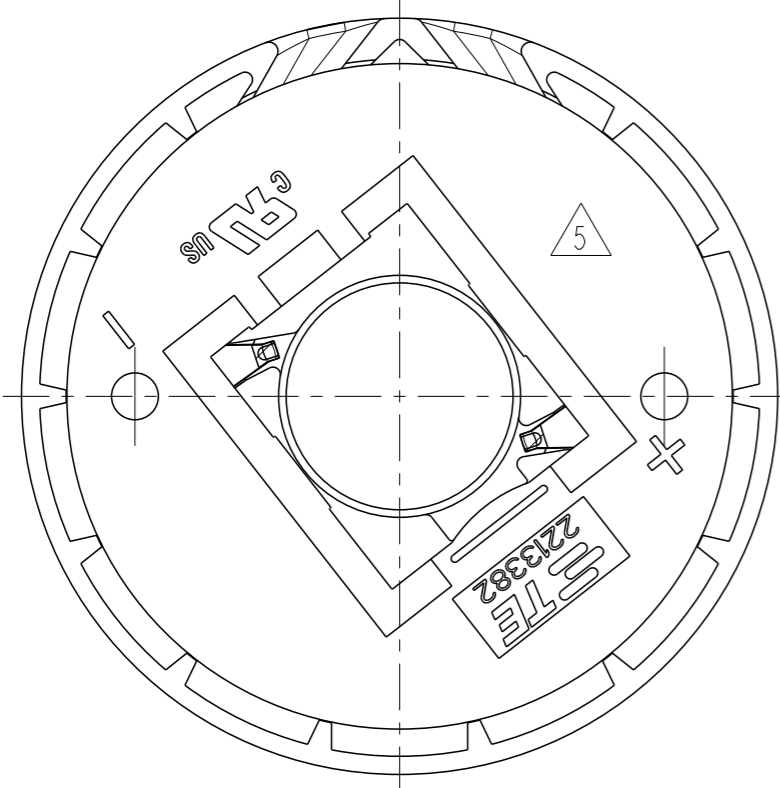
ALL RIGHTS RESERVED.

REVISIONS

P	LTR	DESCRIPTION	DATE	DWN	APVD
-	-	SEE SHEET 1	-	-	-



SCALE 3:2



2213382-2 AS SHOWN
LUMAWISE LED HOLDER Z50 STANDARD PROFILE

THIS DRAWING IS A CONTROLLED DOCUMENT.		DWN YASHKUMAR 31AUG2013	TE Connectivity				
DIMENSIONS: mm		CHK M.V.ESSSEN 31AUG2013					
TOLERANCES UNLESS OTHERWISE SPECIFIED:		APVD O.I.FIUNSE 31AUG2013	NAME LUMAWISE LED HOLDER Z50 1619				
<ul style="list-style-type: none"> 0 PLC ±- 1 PLC ±- 2 PLC ±- 3 PLC ±- 4 PLC ±- ANGLES ±- 		PRODUCT SPEC 108-133008	SIZE A3	CAGE CODE -	DRAWING NO C-2213382	RESTRICTED TO -	
MATERIAL -		FINISH -	WEIGHT -		SCALE 2:1	SHEET 2 OF 3	REV B2
-		Customer Drawing		-		-	

THIS DRAWING IS UNPUBLISHED.

RELEASED FOR PUBLICATION

20

© COPYRIGHT 20

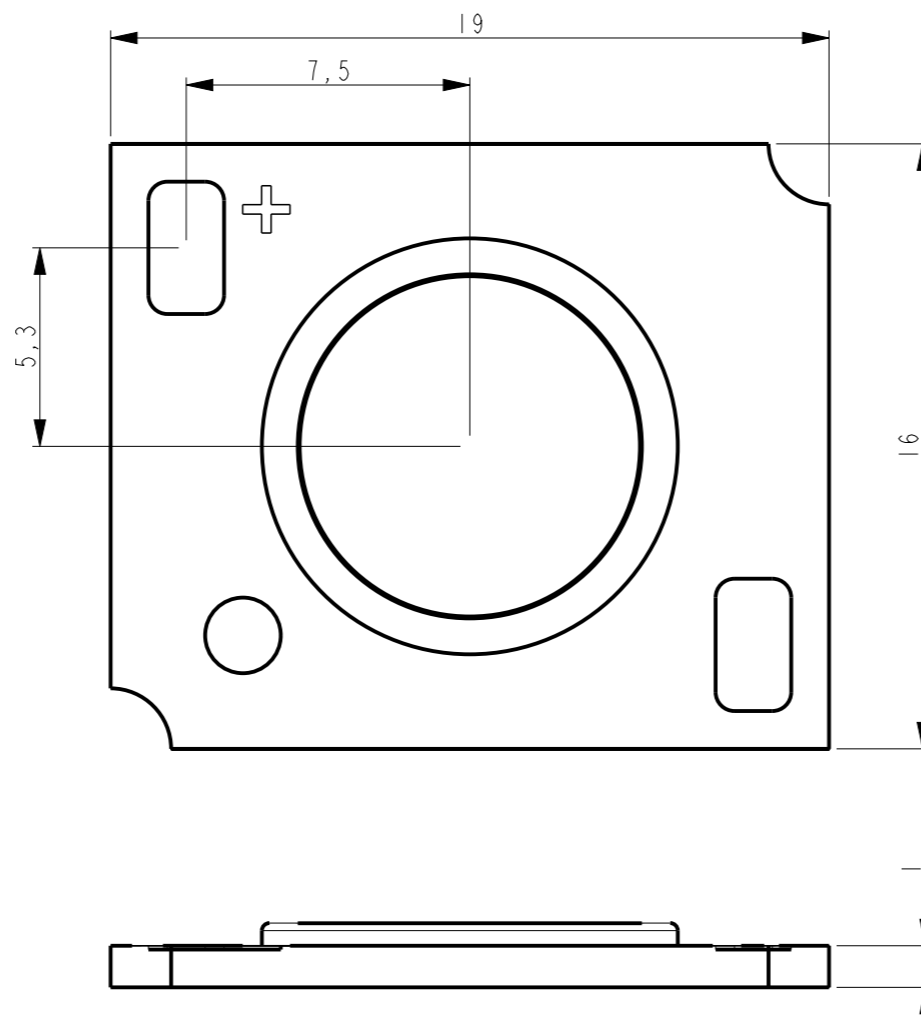
BY -

ALL RIGHTS RESERVED.

REVISIONS

P	LTR	DESCRIPTION	DATE	DWN	APVD
	-	SEE SHEET 1	-	-	-

THE SKETCH BELOW IS SHOWING THE NOMINAL LED COB DIMENSIONS TO MATCH WITH THE Z50 LED HOLDER 1619 FOR TECHNICAL DETAILS ABOUT A PROPER MATCH WITH A SPECIFIC LED COB ARRAY PLEASE CONTACT A REPRESENTATIVE AT TE-CONNECTIVITY



THIS DRAWING IS A CONTROLLED DOCUMENT.

DIMENSIONS: mm	TOLERANCES UNLESS OTHERWISE SPECIFIED:
	0 PLC ±-
	1 PLC ±-
	2 PLC ±-
	3 PLC ±-
	4 PLC ±-
	ANGLES ±-
MATERIAL	FINISH
-	-
-	-

DWN	31AUG2013
YASHKUMAR	
CHK	31AUG2013
M.V.ESSSEN	
APVD	31AUG2013
O.I.FIJNSE	
PRODUCT SPEC	108-133008
APPLICATION SPEC	114-32048
WEIGHT	-
Customer Drawing	

		TE Connectivity			
		NAME			
LUMAWISE LED HOLDER Z50 1619		SIZE	CAGE CODE	DRAWING NO	RESTRICTED TO
		A3	-	C-2213382	-
		SCALE	SHEET	REV	
		2:1	3 OF 3	B2	

X-ON Electronics

Largest Supplier of Electrical and Electronic Components

Click to view similar products for [LED Lighting Mounting Accessories](#) category:

Click to view products by [TE Connectivity](#) manufacturer:

Other Similar products are found below :

[C16142_HEKLA-SOCKET-K](#) [3SU1401-1BG20-1AA0](#) [3SU1900-0BC31-0NB0](#) [ES16-RT](#) [1SFA616921R2042](#) [1SFA616921R2131](#)
[1SFA616921R2133](#) [1SFA616921R2143](#) [1SFA611621R1093](#) [B8910020](#) [D3980022](#) [E3990022](#) [E3990040](#) [CABI12 E BK 1M SET PRM](#)
[FLAT8 H/U BK 1M SET PRM](#) [BEGTIN12 J/S BK 1M SET PRM](#) [1-2213678-6](#) [C16791_CLAMP-Z45-A](#) [F17250_SOLDER-CLIP-A](#) [CM22-](#)
[4-20MA](#) [CM22-R10K-MT](#) [CM22-R1K](#) [CM22-R50K](#) [CM22-R5K-MT](#) [CM22-SLR](#) [10465](#) [M22-A](#) [M22-CK11](#) [M22-CK20](#) [M22G-XGPV](#)
[M22-K01](#) [M22-LCH-W](#) [M22-LC-R](#) [M22-LED230-R](#) [M22-LED230-W](#) [M22-LEDC230-G](#) [M22-LEDC-G](#) [M22-LEDC-W](#) [M22-LED-G](#)
[M22-LED-W](#) [M22-L-G](#) [M22-LH-G](#) [M22-LH-R](#) [M22-LH-W](#) [M22-L-R](#) [M22-L-W](#) [M22-L-X](#) [M22-R10K](#) [M22-R1K](#) [M22-R470K](#)